



US00D855425S

(12) **United States Design Patent**  
**Hogue**

(10) **Patent No.:** **US D855,425 S**

(45) **Date of Patent:** **\*\* Aug. 6, 2019**

(54) **SOCKET FOR HOLDING A LOCK WASHER AND NUT**

4,811,647 A 3/1989 Lindamood  
4,963,318 A 10/1990 Johansson et al.  
D755,028 S \* 5/2016 Yu ..... D8/29

(71) Applicant: **Archie L. Hogue**, Benson, AZ (US)

\* cited by examiner

(72) Inventor: **Archie L. Hogue**, Benson, AZ (US)

*Primary Examiner* — Randall H Gholson

(\*\*) Term: **15 Years**

(74) *Attorney, Agent, or Firm* — Richard L. Miller; Peter A. Hurley

(21) Appl. No.: **29/635,036**

(57) **CLAIM**

The ornamental design for a socket for holding a lock washer and nut, as shown and described.

(22) Filed: **Jan. 26, 2018**

**DESCRIPTION**

(51) **LOC (12) Cl.** ..... **08-05**

(52) **U.S. Cl.**

USPC ..... **D8/29**

(58) **Field of Classification Search**

USPC ..... D8/29; 81/60, 177.1, 177.85, 121.1,  
81/124.3, 165-170, 110.1, 176.2, 124.6,  
81/176.1, 176.15, 177.2, 186; 16/110.1

CPC ..... B25B 13/06; B25B 13/065

See application file for complete search history.

FIG. 1 is a three quarter bottom, side perspective view of a socket for holding a lock washer and nut showing my new design;

FIG. 2 is a side elevational view thereof, taken in the direction of arrow 2 in FIG. 6, it being understood that all side views are mirror images of each other;

FIG. 3 is a cross sectional view taken on line 3-3 of FIG. 2; FIG. 4 is a bottom plan view thereof, taken in the direction of arrow 4 in FIG. 6;

FIG. 5 is a top plan view thereof, taken in the direction of arrow 5 in FIG. 6; and,

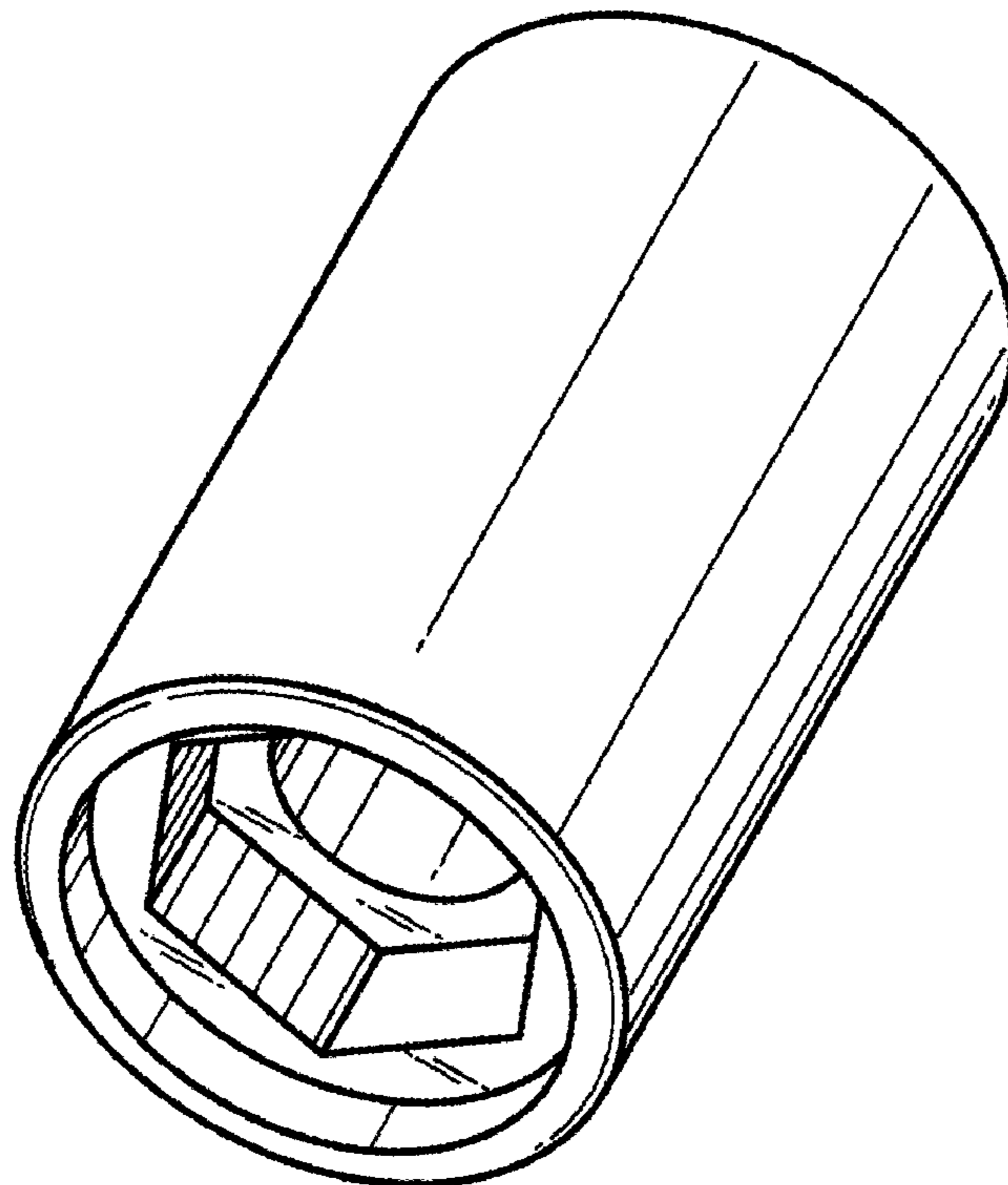
FIG. 6 is a view identical to FIG. 1 with descriptive legend directional arrows included to show the direction from which FIGS. 2, 4 and 5 are taken.

(56) **References Cited**

**U.S. PATENT DOCUMENTS**

1,538,347 A 5/1925 Newquist  
3,415,154 A 12/1968 Skierski

**1 Claim, 2 Drawing Sheets**



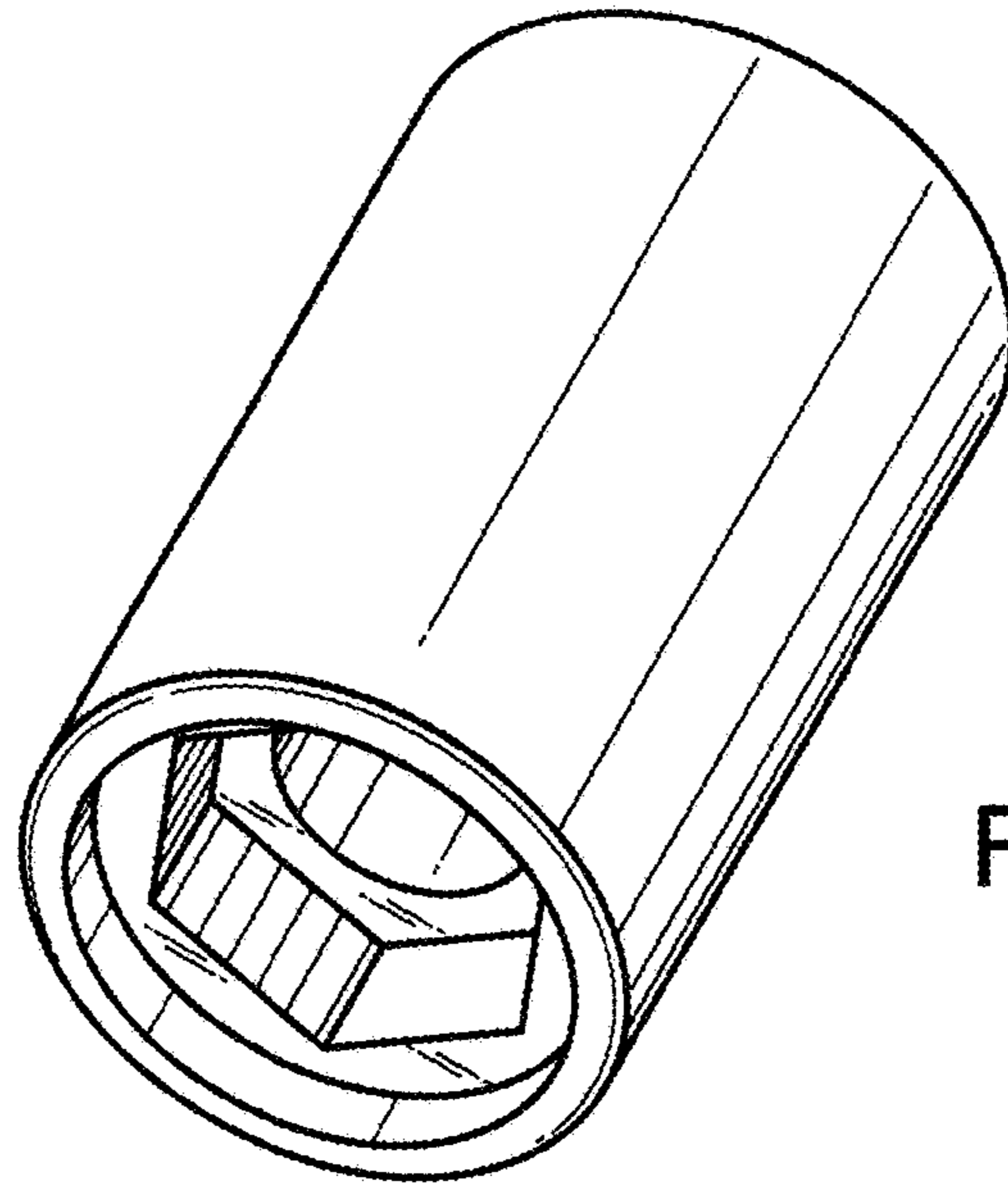


FIG. 1

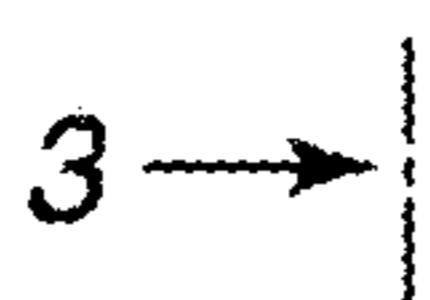
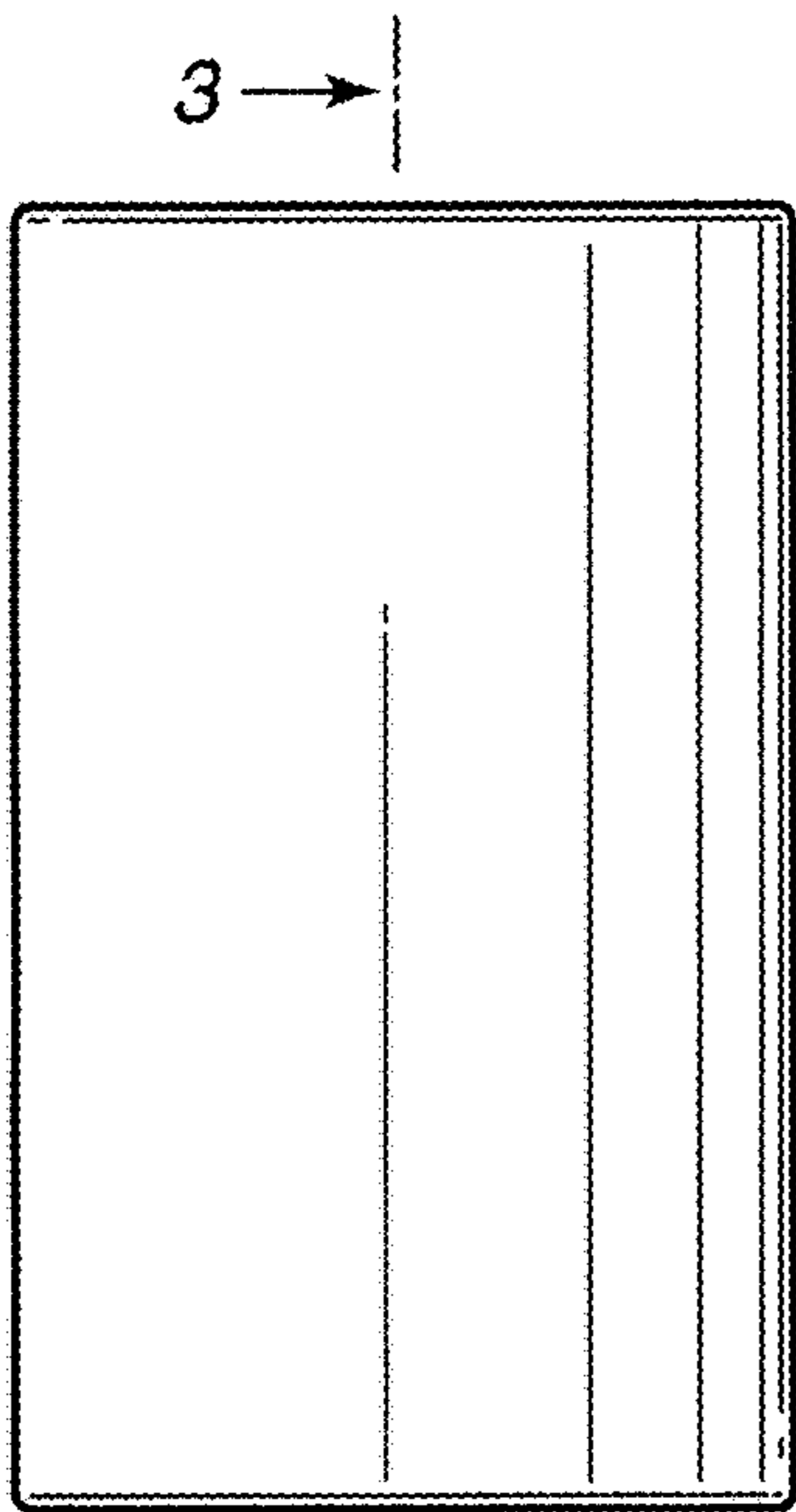


FIG. 2

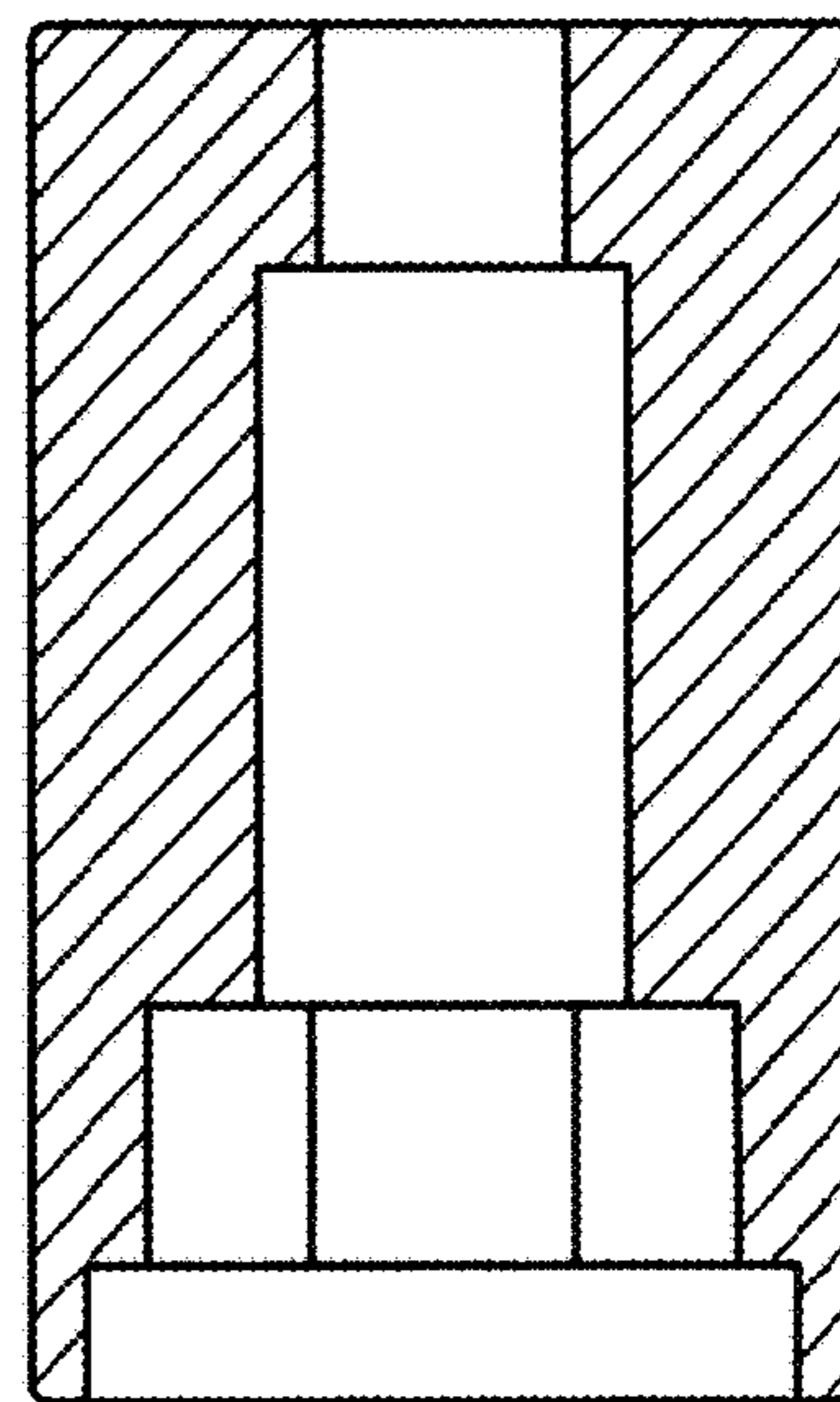


FIG. 3

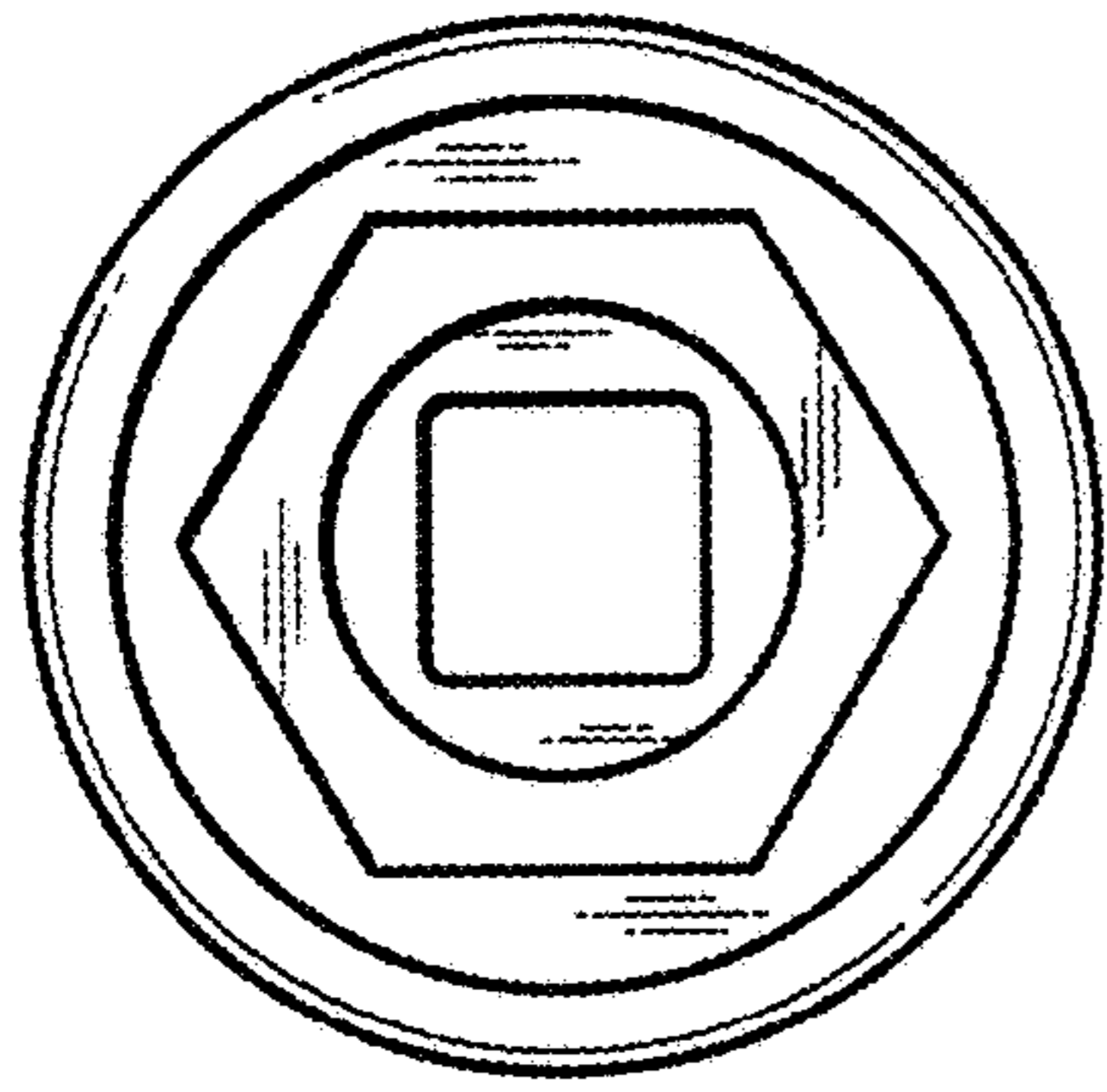


FIG. 4

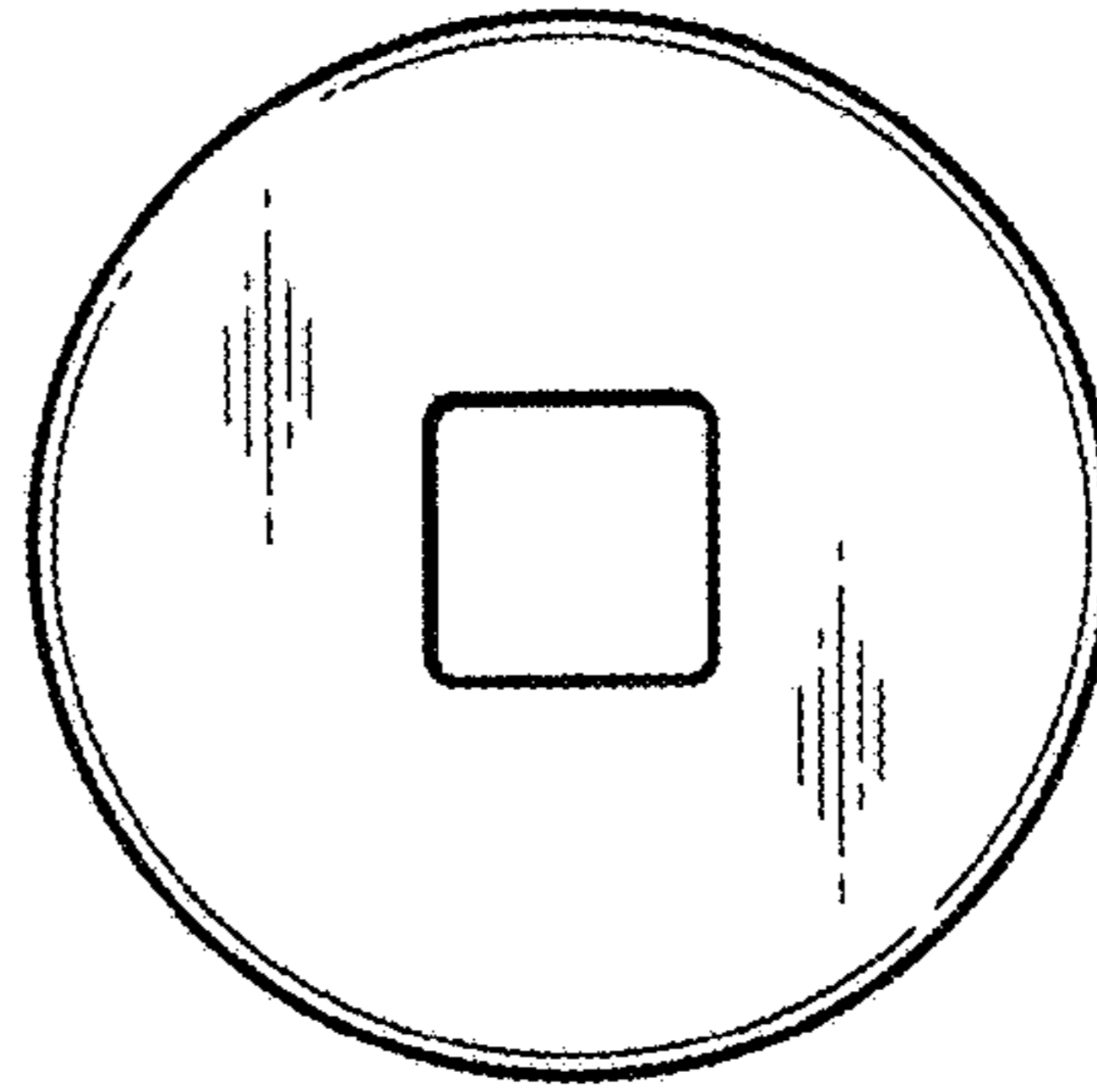


FIG. 5

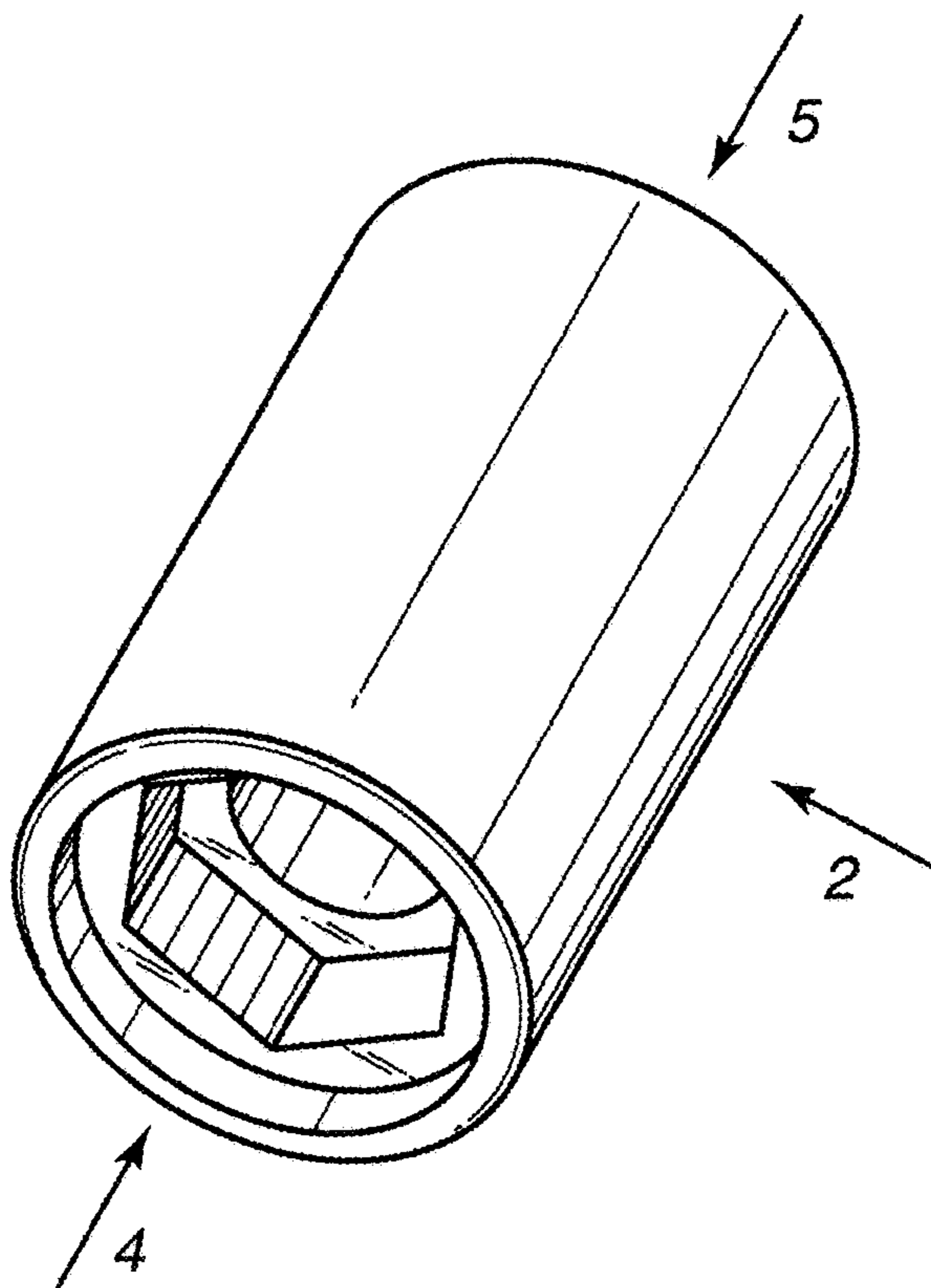


FIG. 6