



US00D855424S

(12) **United States Design Patent** (10) **Patent No.:** **US D855,424 S**  
**Parr** (45) **Date of Patent:** **\*\* Aug. 6, 2019**

(54) **LID APPLICATION TOOL**  
(71) Applicant: **CONNEXIONS LIMITED**, Hamilton (NZ)  
(72) Inventor: **Robert Parr**, Hamilton (NZ)  
(73) Assignee: **Connexions Limited**, Hamilton (NZ)  
(\*\*) Term: **15 Years**

(21) Appl. No.: **29/625,121**  
(22) Filed: **Nov. 7, 2017**

(30) **Foreign Application Priority Data**  
May 8, 2017 (NZ) ..... 423014  
(51) **LOC (12) Cl.** ..... **08-05**  
(52) **U.S. Cl.**  
USPC ..... **D8/14**  
(58) **Field of Classification Search**  
USPC ..... D8/14, 352, 356, 382, 399; D7/392.1;  
D23/262, 269  
CPC ..... B67B 3/00; B67B 3/22  
See application file for complete search history.

(56) **References Cited**  
U.S. PATENT DOCUMENTS  
D435,090 S \* 12/2000 Stout, Jr. .... D23/269  
D595,835 S \* 7/2009 Fu ..... D23/411

D616,966 S \* 6/2010 Angell ..... D23/262  
D696,113 S \* 12/2013 Stein ..... D9/447  
D706,908 S \* 6/2014 Knapp ..... D23/269  
D715,412 S \* 10/2014 Sgherri ..... D23/259  
D728,757 S \* 5/2015 Graham ..... D23/269  
D728,774 S \* 5/2015 Graham ..... D23/393  
D730,734 S \* 6/2015 Rapparini ..... D9/454  
D761,398 S \* 7/2016 Murphy ..... D23/269  
D837,052 S \* 1/2019 Rapparini ..... D9/434

\* cited by examiner

*Primary Examiner* — Philip S Hyder  
(74) *Attorney, Agent, or Firm* — Studebaker & Brackett PC

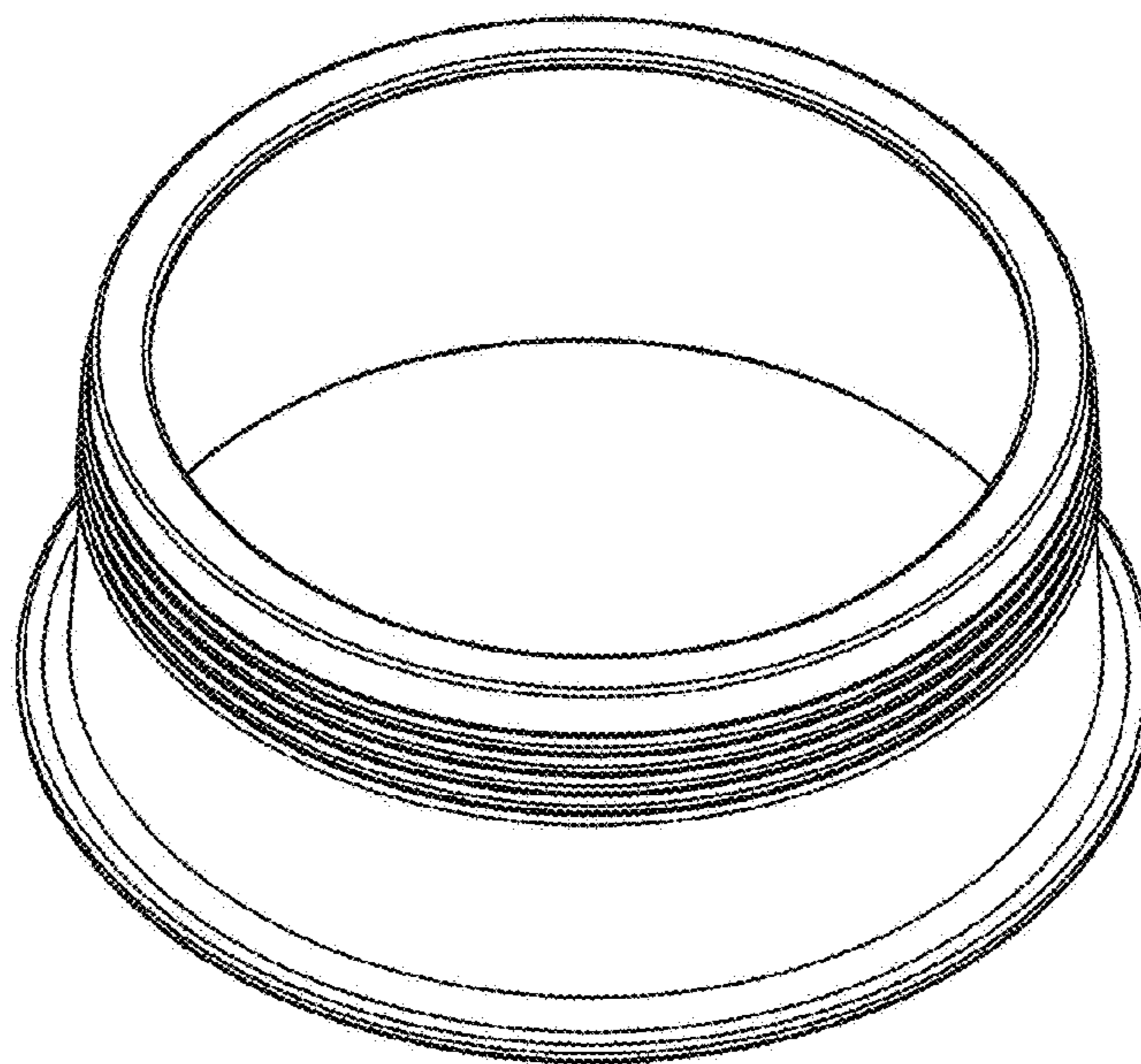
(57) **CLAIM**

The ornamental design for a lid application tool, as shown and described.

**DESCRIPTION**

FIG. 1 is a bottom view showing my new design for a lid application tool,  
FIG. 2 a side view thereof, the opposite side view being a mirror image thereof,  
FIG. 3 is a top view thereof,  
FIG. 4 is a bottom perspective view thereof; and,  
FIG. 5 is a top perspective view thereof.

**1 Claim, 5 Drawing Sheets**



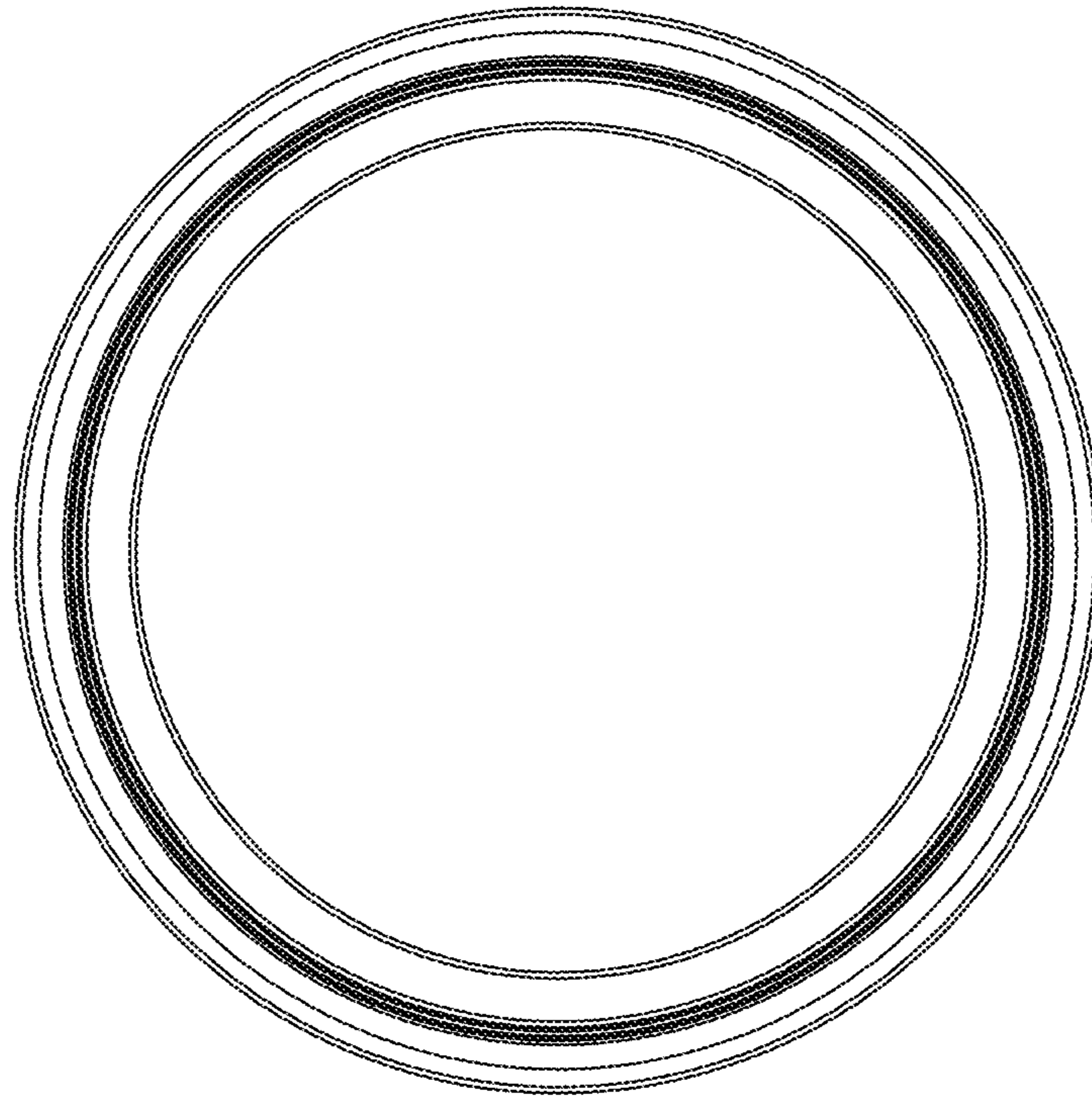


FIG. 1

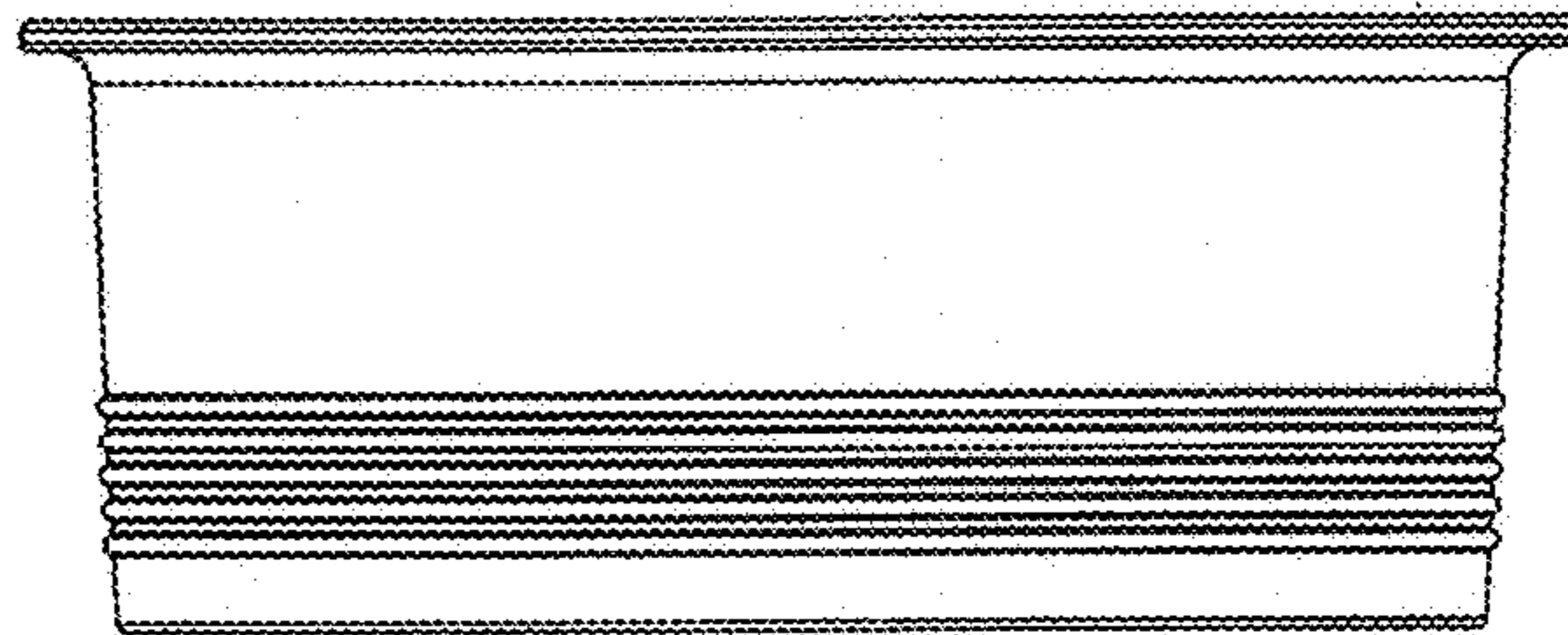


FIG. 2

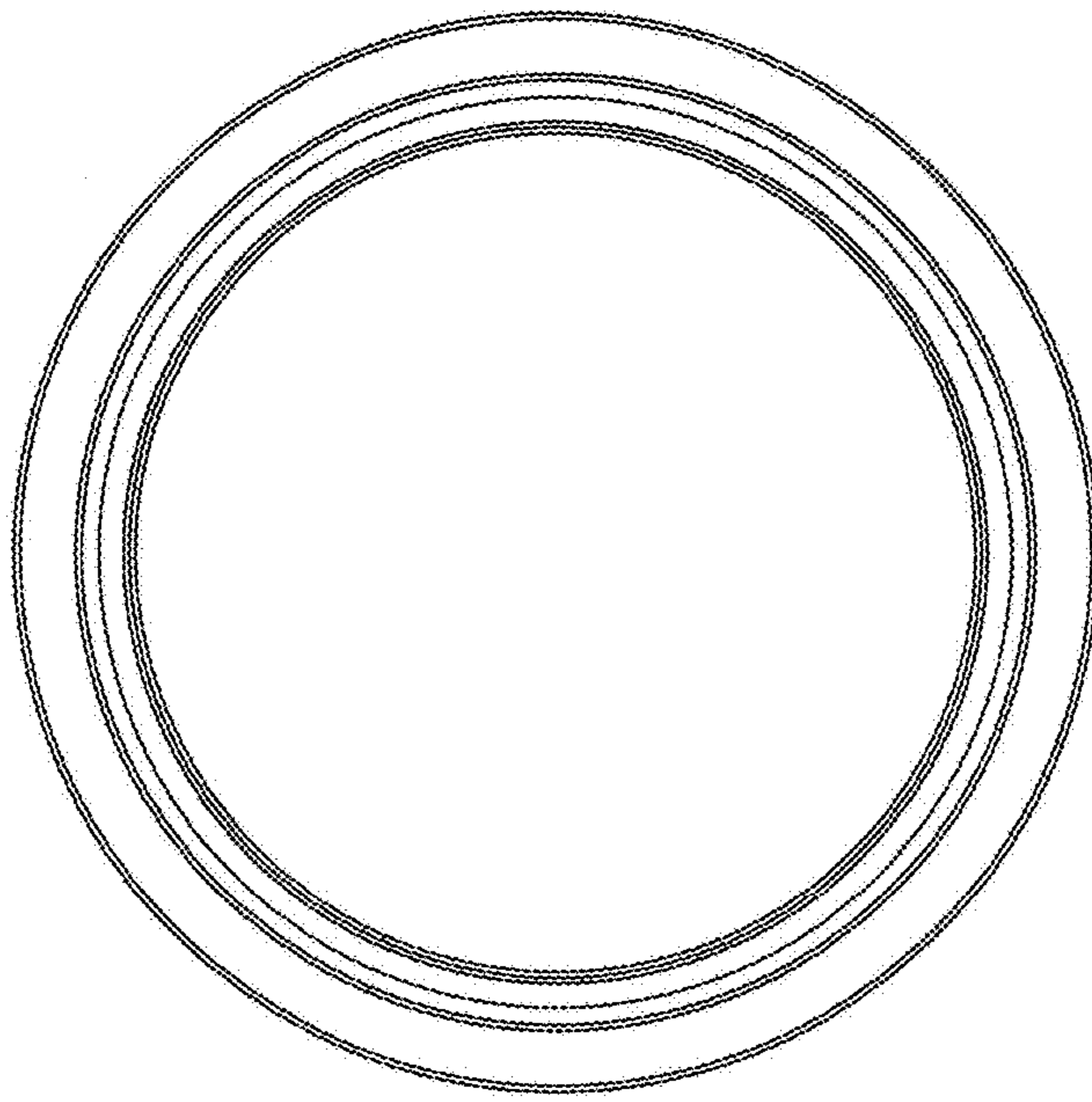


FIG. 3

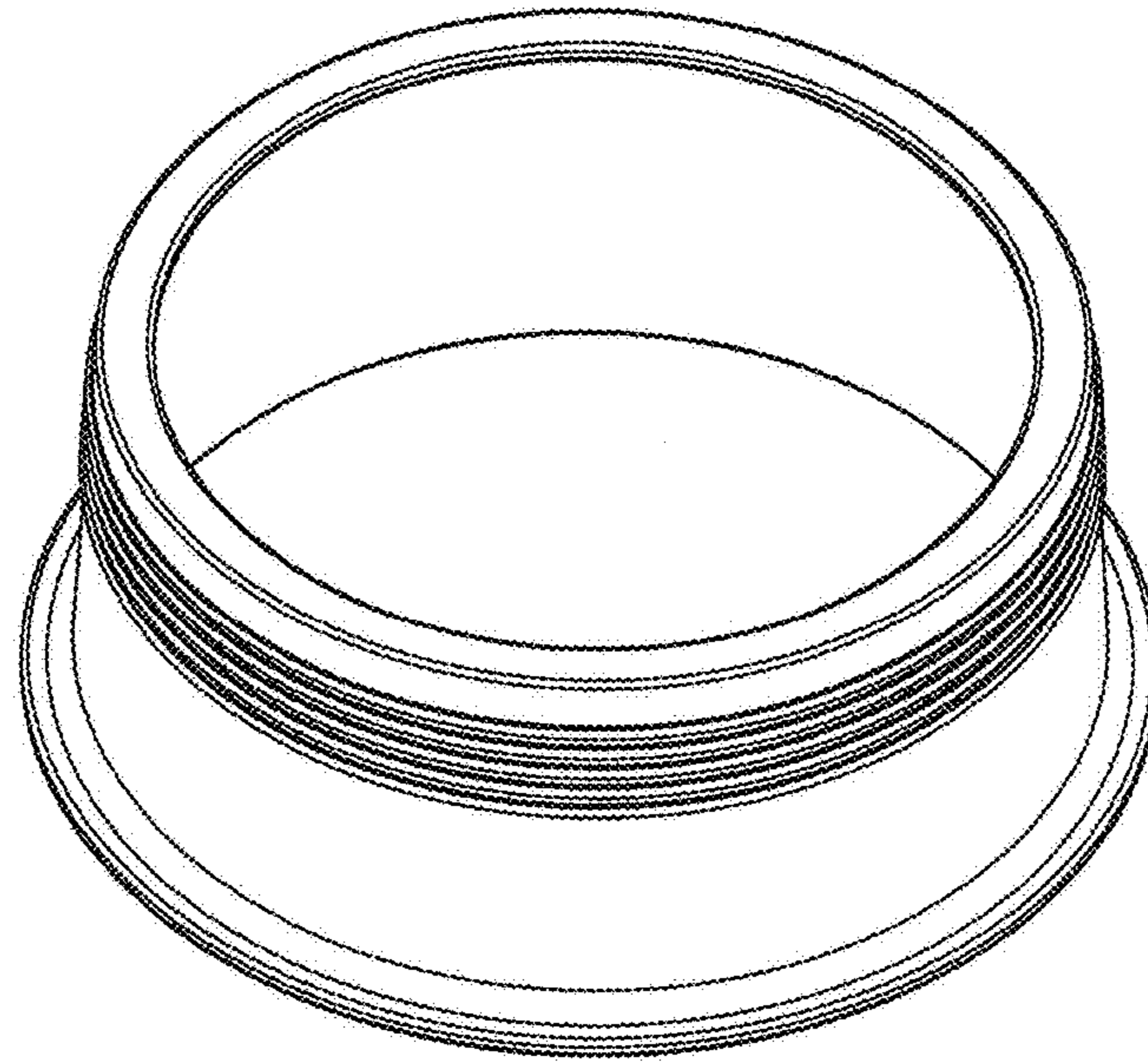


FIG. 4



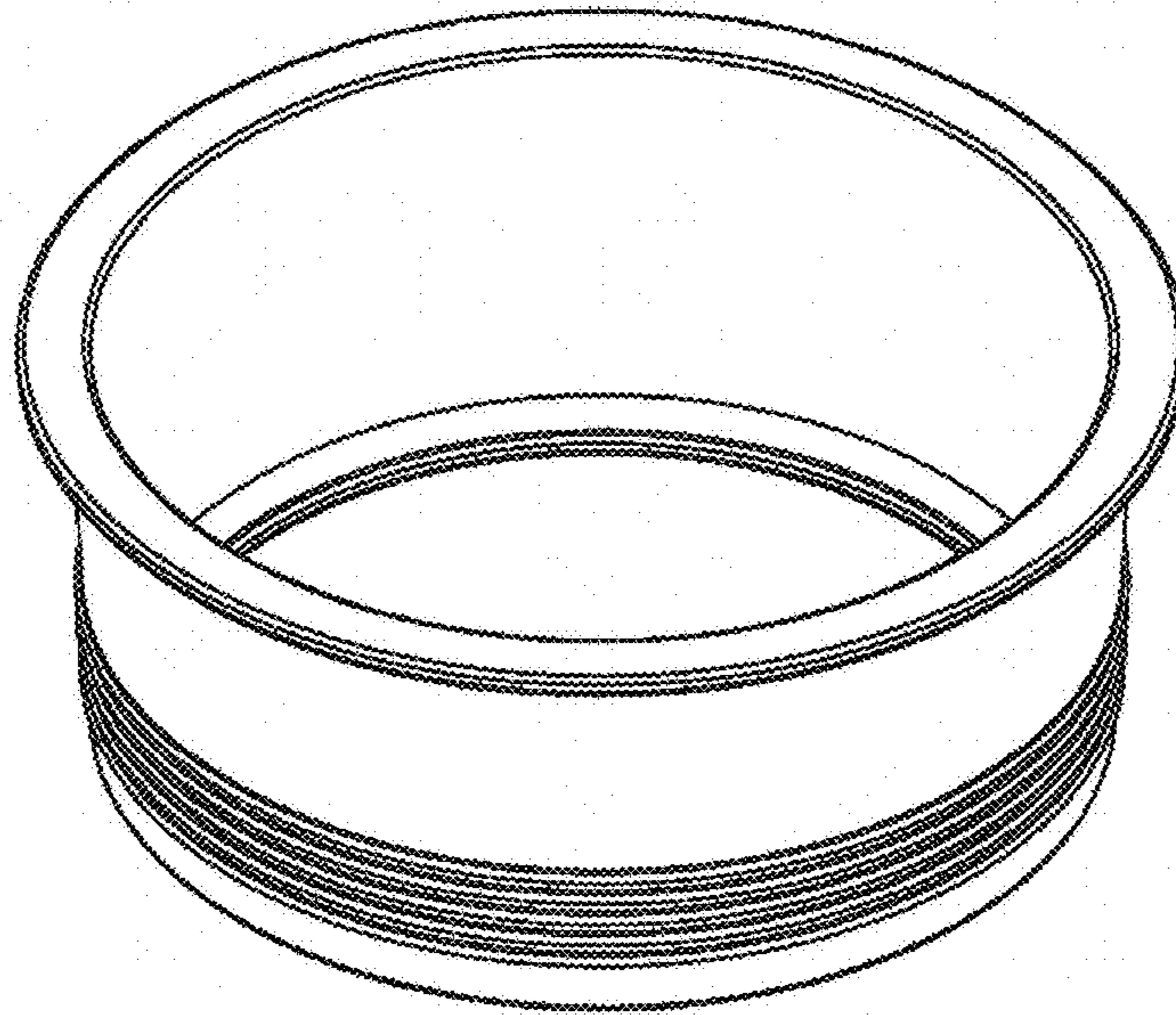


FIG. 5