



US00D855421S

(12) **United States Design Patent** (10) **Patent No.:** **US D855,421 S**  
**Hsu et al.** (45) **Date of Patent:** **\*\* Aug. 6, 2019**

(54) **POWERED HAND-HELD SPREADER**

(71) Applicant: **OMS Investments, Inc.**, Los Angeles, CA (US)

(72) Inventors: **Paul E. Hsu**, Lewis Center, OH (US); **Paul M. Havlovitz**, Dublin, OH (US); **Ryan R. Berger**, Columbus, OH (US); **Chris W. Cicenas**, Etna, OH (US); **Daniel Wisniewski**, Columbus, OH (US); **Johannes Hertrich**, Columbus, OH (US)

(73) Assignee: **OMS Investments, Inc.**, Los Angeles, CA (US)

(\*\*) Term: **15 Years**

(21) Appl. No.: **29/613,646**

(22) Filed: **Aug. 11, 2017**

**Related U.S. Application Data**

(63) Continuation of application No. 29/536,927, filed on Aug. 20, 2015, now Pat. No. Des. 796,922.

(51) **LOC (12) Cl.** ..... **08-01**

(52) **U.S. Cl.**

USPC ..... **D8/2; D15/13**

(58) **Field of Classification Search**

USPC ..... D15/13; D8/2; D32/17; 239/654, 663, 239/686, 526, 375, 379, 652, 653, 683, 239/154, 687, 668, 681; 406/102, 98, 406/135; 222/75, 324, 473, 175

CPC ..... A01C 15/02; A01C 15/00; A01C 15/04; A01C 15/006; A01C 7/00; A01C 7/02; E01C 19/203; E01C 19/205; E01C 2019/206; E01H 10/007; A01M 9/003;

(Continued)

(56) **References Cited**

**U.S. PATENT DOCUMENTS**

3,157,402 A \* 11/1964 Love, Jr. .... A01C 17/00  
222/317

3,227,461 A \* 1/1966 Love, Jr. .... A01C 15/02  
222/317

D232,802 S \* 9/1974 Steinkamp ..... 38/69

(Continued)

**OTHER PUBLICATIONS**

“Black & Decker Motorised Law Seed/Fertiliser Spreader: Amazon.co.uk: DIYTools,” <http://www.amazon.co.uk/Black-Decker-Motorised-Fertiliser-Spreader/dp/B000NY1E8K>, front page [Internet accessed on Feb. 25, 2015].

(Continued)

*Primary Examiner* — Mark A Goodwin

(74) *Attorney, Agent, or Firm* — Ulmer & Berne LLP

(57) **CLAIM**

We claim the ornamental design for a powered hand-held spreader, as shown and described.

**DESCRIPTION**

FIG. 1 depicts a front perspective view of a powered hand-held spreader;

FIG. 2 is a rear perspective view thereof;

FIG. 3 is a front bottom perspective view thereof;

FIG. 4 is a rear bottom perspective view thereof;

FIG. 5 is top plan view thereof;

FIG. 6 is a bottom plan view of thereof;

FIG. 7 is a right side elevational view thereof;

FIG. 8 is a left side elevational view thereof;

FIG. 9 is a front elevational view thereof;

FIG. 10 is a rear elevational view thereof;

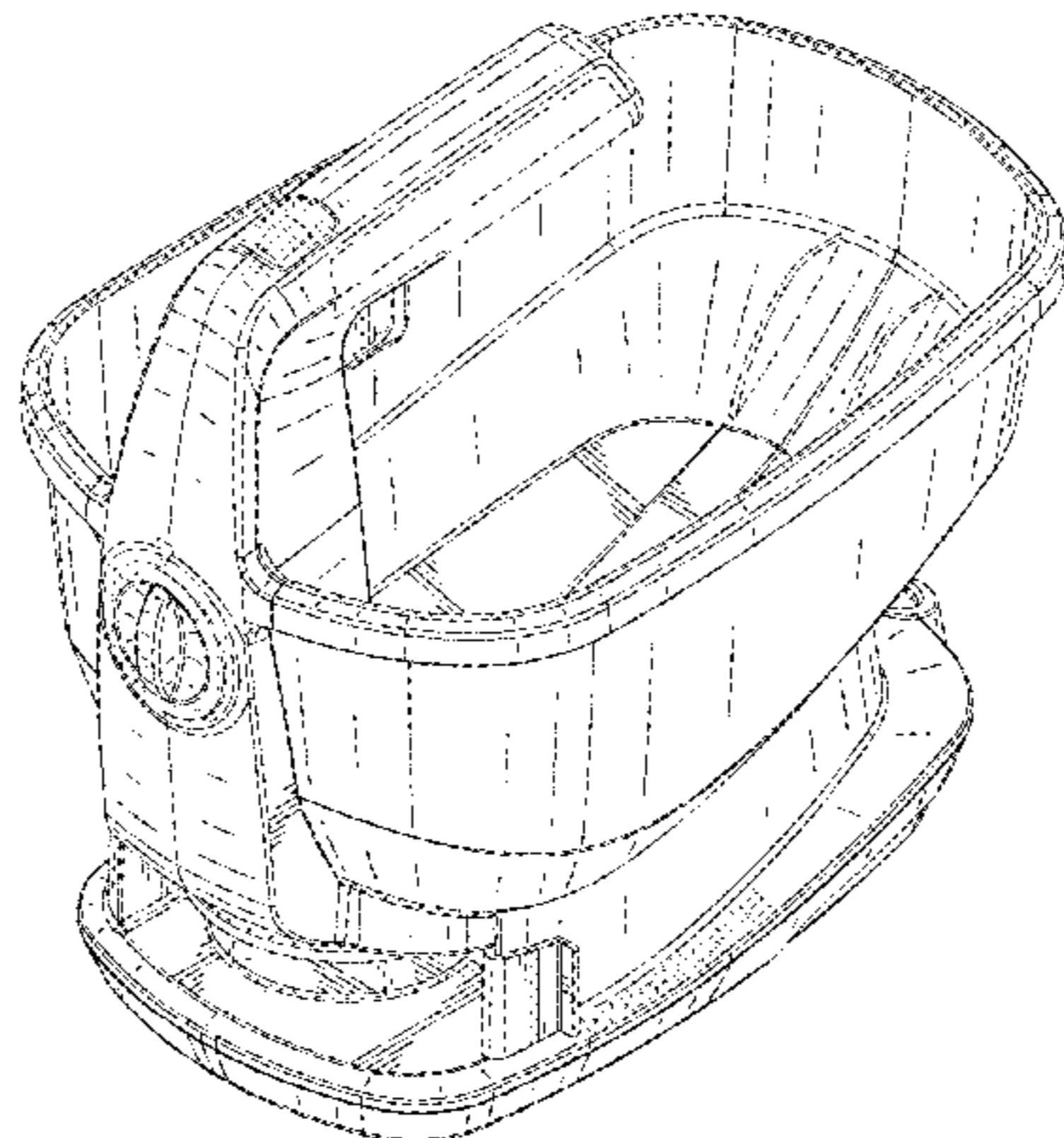
FIG. 11 is a side perspective view thereof;

FIG. 12 is a top perspective view thereof; and,

FIG. 13 is a second front perspective view thereof.

The broken line showing of the powered hand-held spreader is included for the purpose of illustrating portions of the article and forms no part of the claimed design.

**1 Claim, 13 Drawing Sheets**



(58) **Field of Classification Search**  
 CPC ... A01M 9/0007; A01M 9/038; A01M 9/0046  
 See application file for complete search history.

(56) **References Cited**

U.S. PATENT DOCUMENTS

3,993,225	A	11/1976	Manni	
4,071,170	A	1/1978	Gunzel, Jr. et al.	
4,089,441	A	5/1978	Cole et al.	
4,140,280	A	2/1979	Allen et al.	
4,387,852	A	6/1983	Mattson et al.	
4,492,341	A	1/1985	Allen	
4,678,377	A	7/1987	Bouchard	
5,119,993	A	6/1992	Gunzel et al.	
5,123,598	A	6/1992	Courtney et al.	
D327,823	S *	7/1992	Demarest	D15/13
D333,951	S *	3/1993	Courtney	D8/2
5,285,971	A	2/1994	Havlovitz	
5,409,166	A	4/1995	Gunzel et al.	
5,429,278	A	7/1995	Sansalone	
D387,638	S *	12/1997	DeLaby	D8/2
6,024,294	A	2/2000	Dillon	
6,092,746	A	7/2000	Dillon	
6,425,500	B2	7/2002	McNally	

6,616,074	B2	9/2003	Courtney	
6,729,557	B2	5/2004	Dillon	
6,840,468	B2	1/2005	Barnett	
D534,044	S *	12/2006	Zak	D8/2
7,281,675	B2	10/2007	Elrod et al.	
7,328,861	B2	2/2008	Sagol et al.	
8,272,584	B2	9/2012	Barnett et al.	
D744,303	S *	12/2015	Marconi	D15/13
D796,922	S *	9/2017	Hsu	D15/13
2007/0194155	A1	8/2007	Kendall	
2013/0001332	A1	1/2013	Marconi	
2014/0166785	A1	6/2014	Barnett et al.	
2014/0263484	A1	9/2014	Marconi	
2017/0049042	A1 *	2/2017	Hsu	E01H 10/007

OTHER PUBLICATIONS

“New Ready 2Go Spreader,” <http://www.ready2gospreader.com/> 4 pages [Internet accessed on Feb. 25, 2015].  
 “Wolf Garten Power Spreader WE-B,” spec page (Jan. 2014).  
 Detail view of “Wolf Garten WE-B Power Spreader,” <http://www.wolf-garten.org/products/seeds-and-fertiliser/spreaders-and-hose-reel-trolleysdetails>, 5 pages [Internet accessed on Nov. 23, 2015].

\* cited by examiner

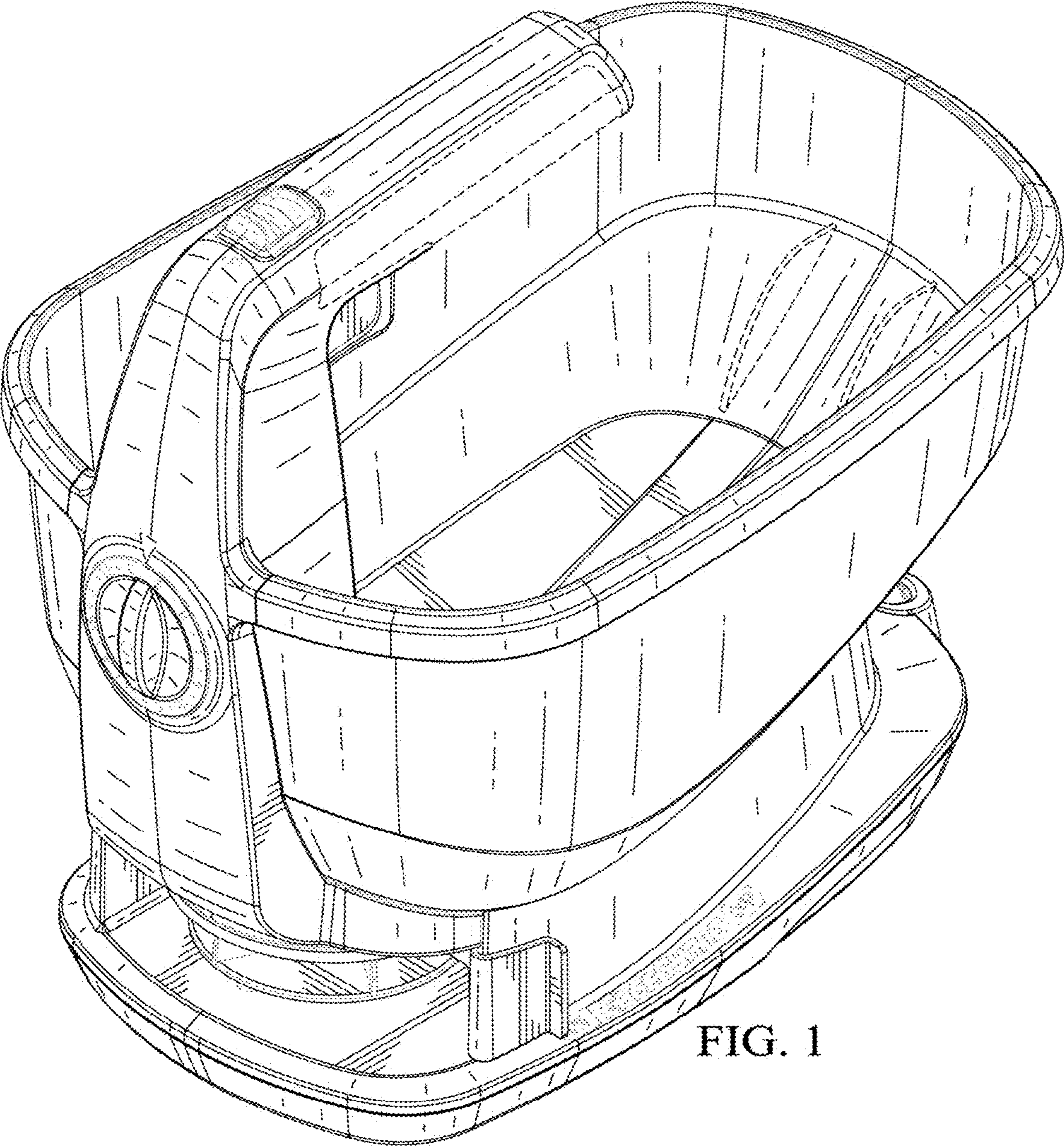


FIG. 1

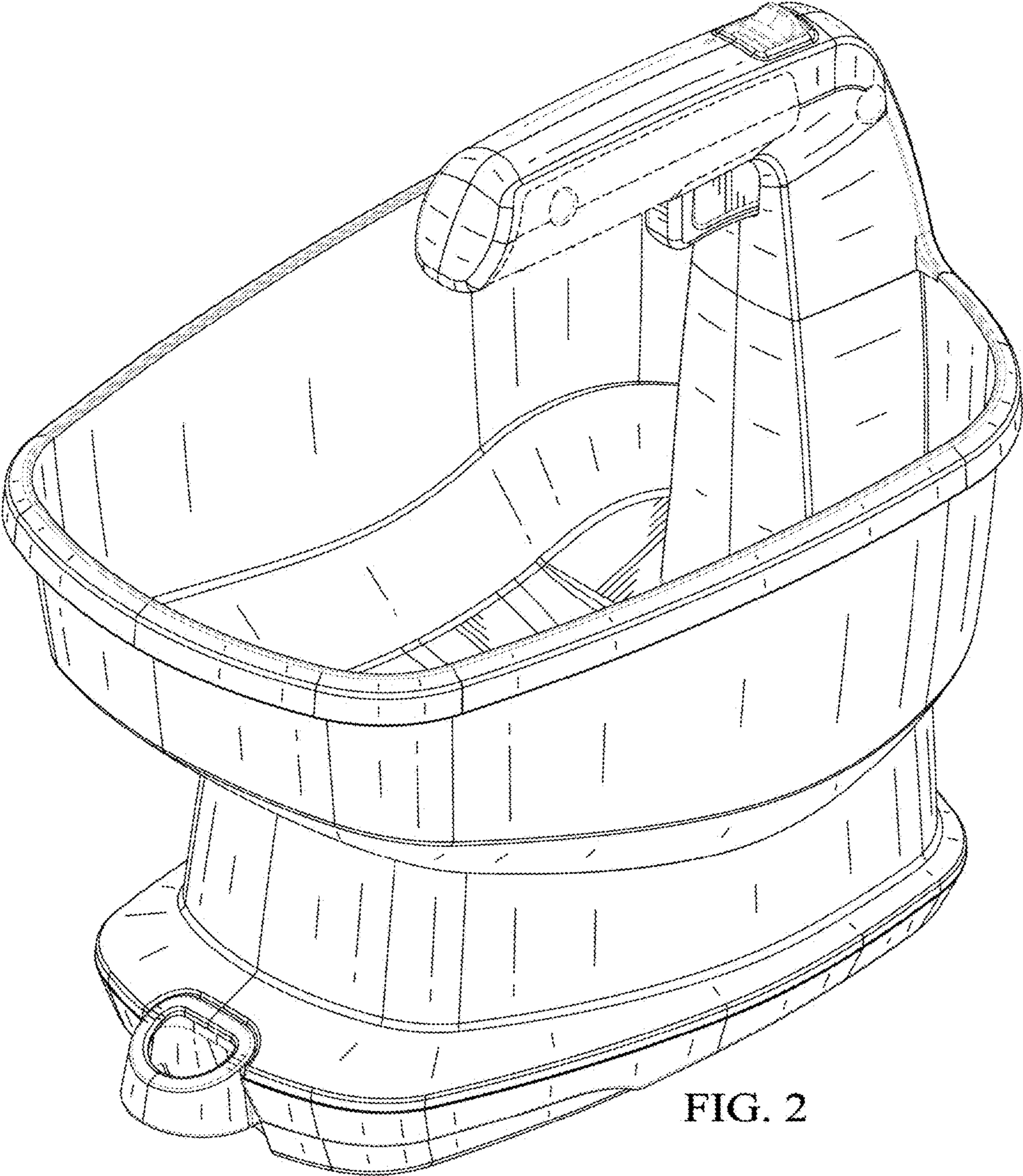


FIG. 2

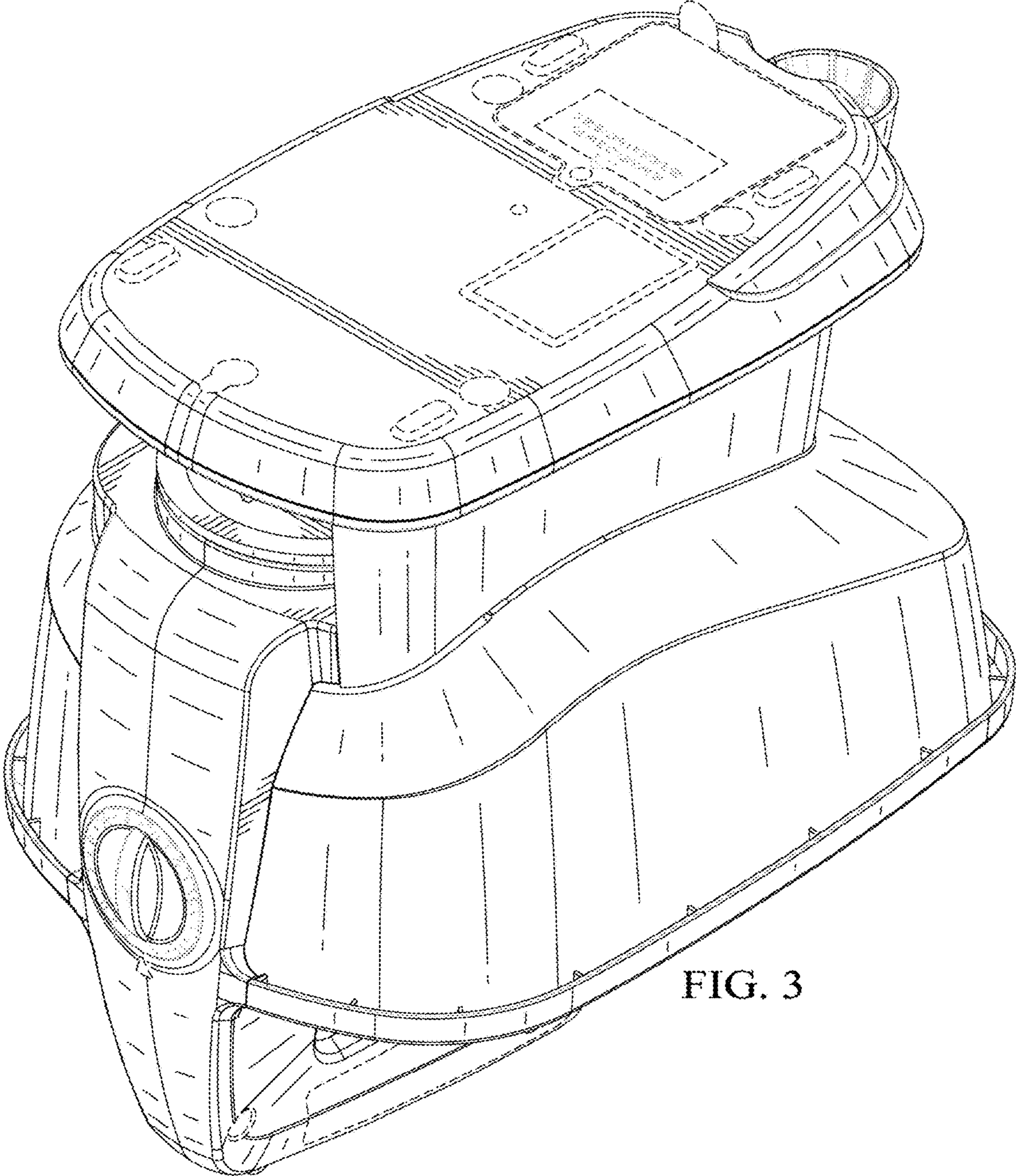


FIG. 3

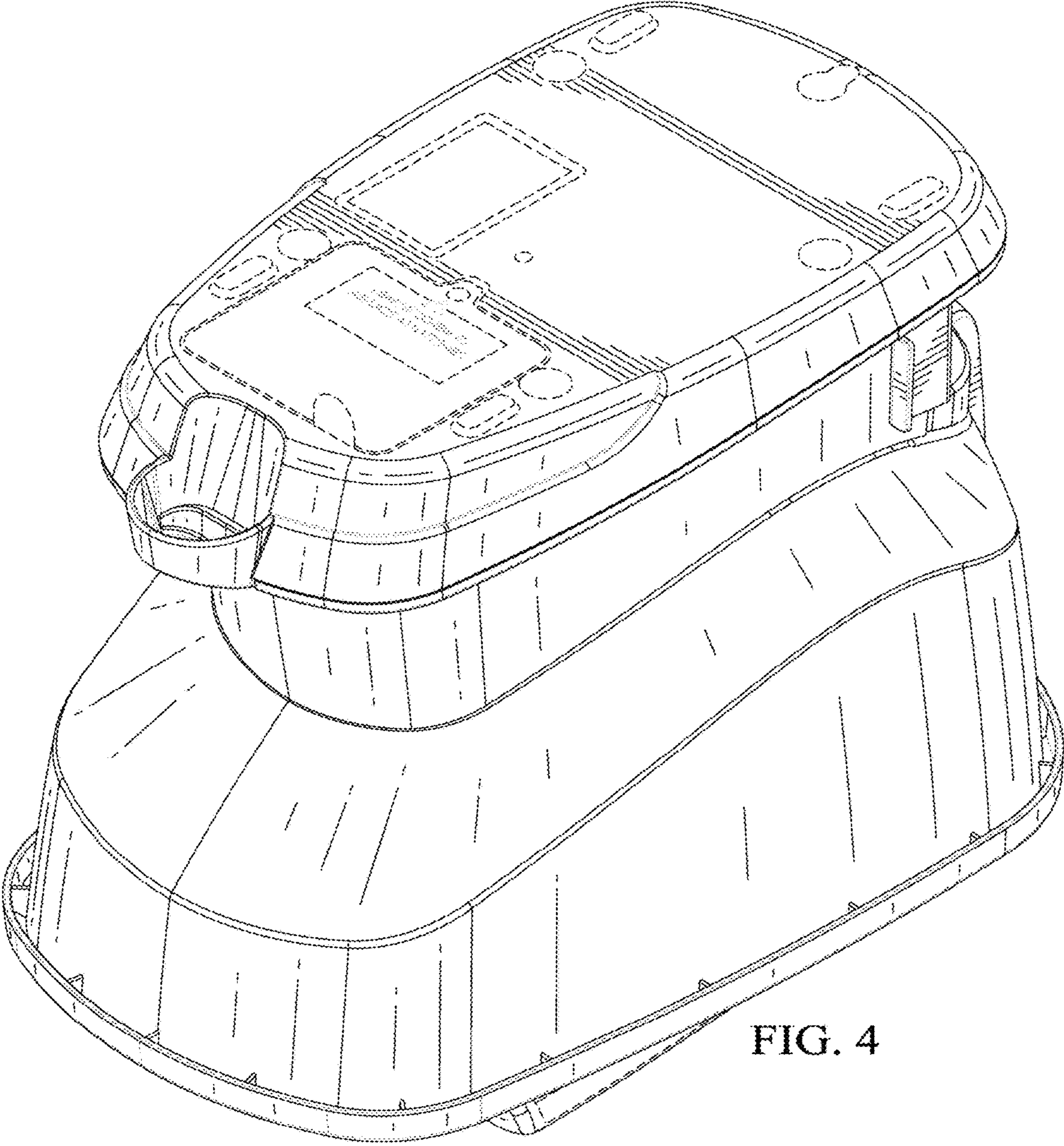


FIG. 4

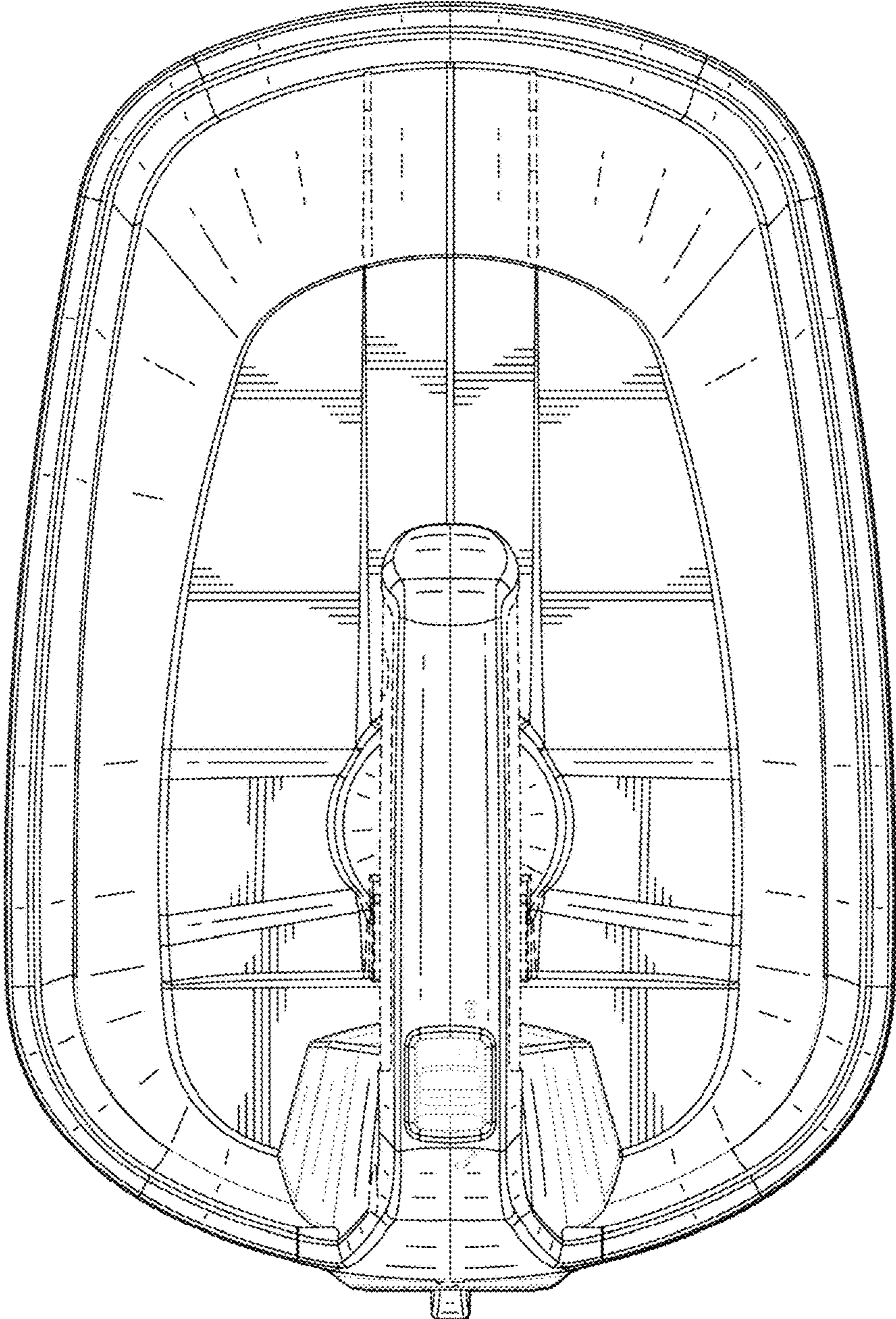


FIG. 5

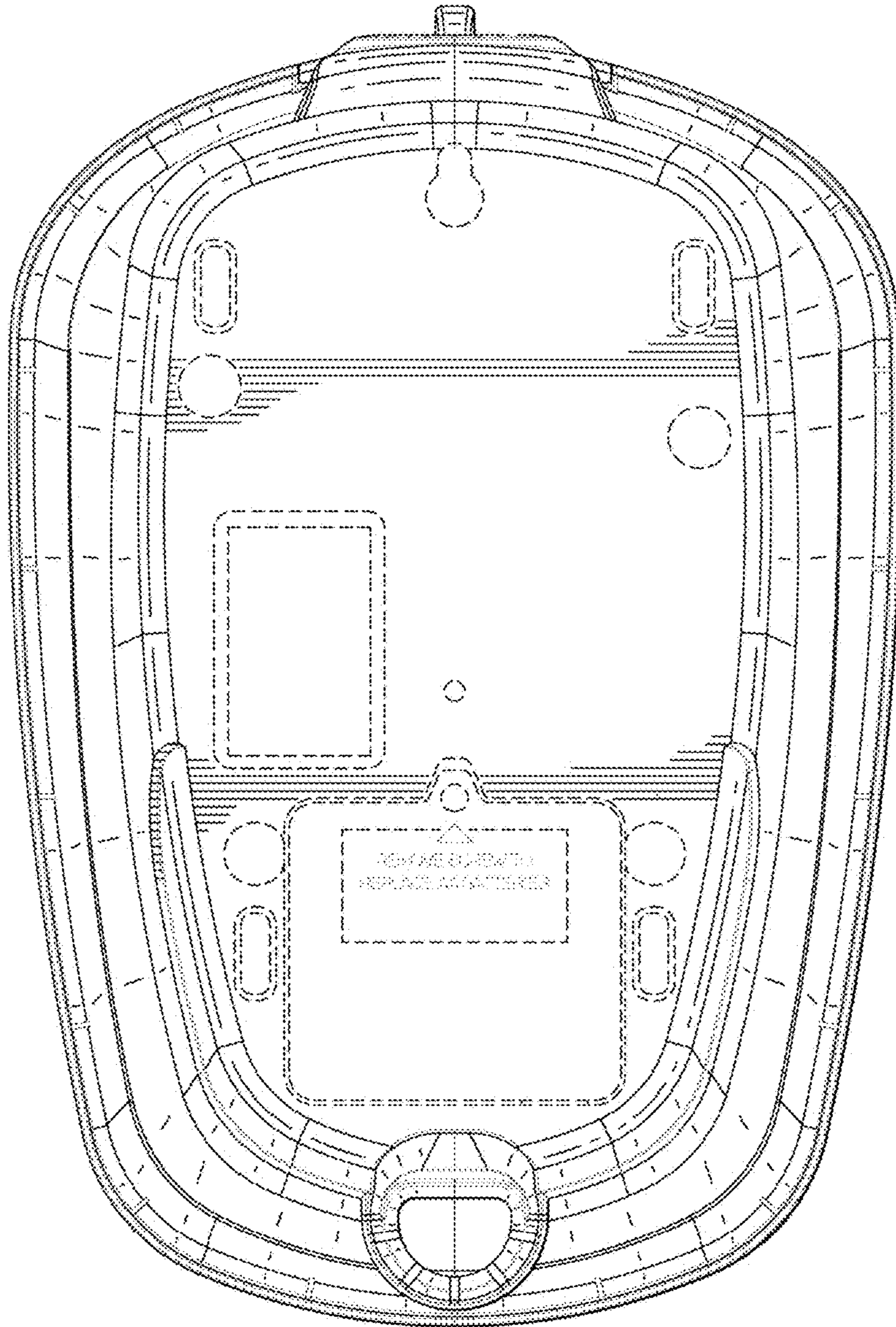


FIG. 6



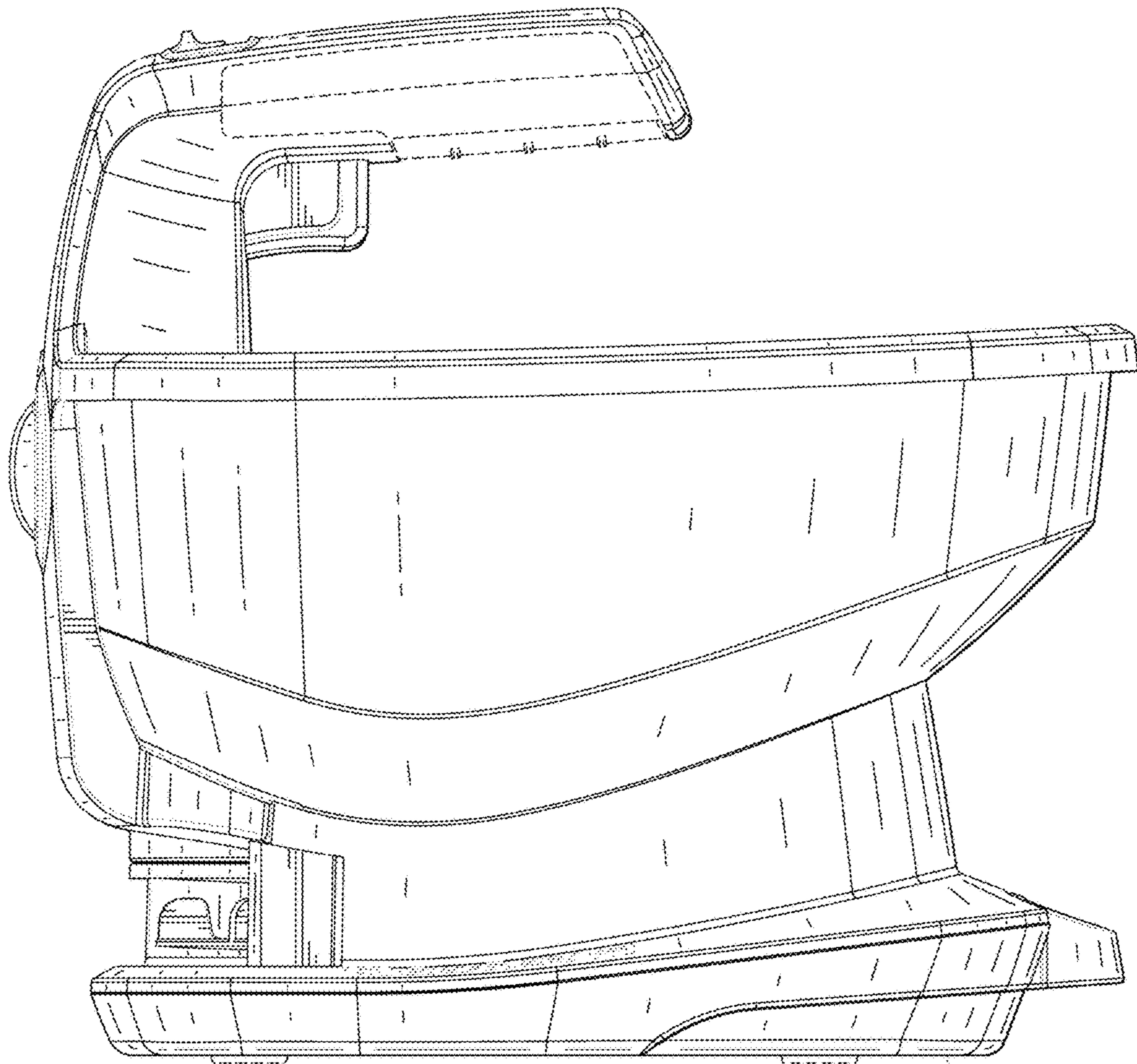


FIG. 7

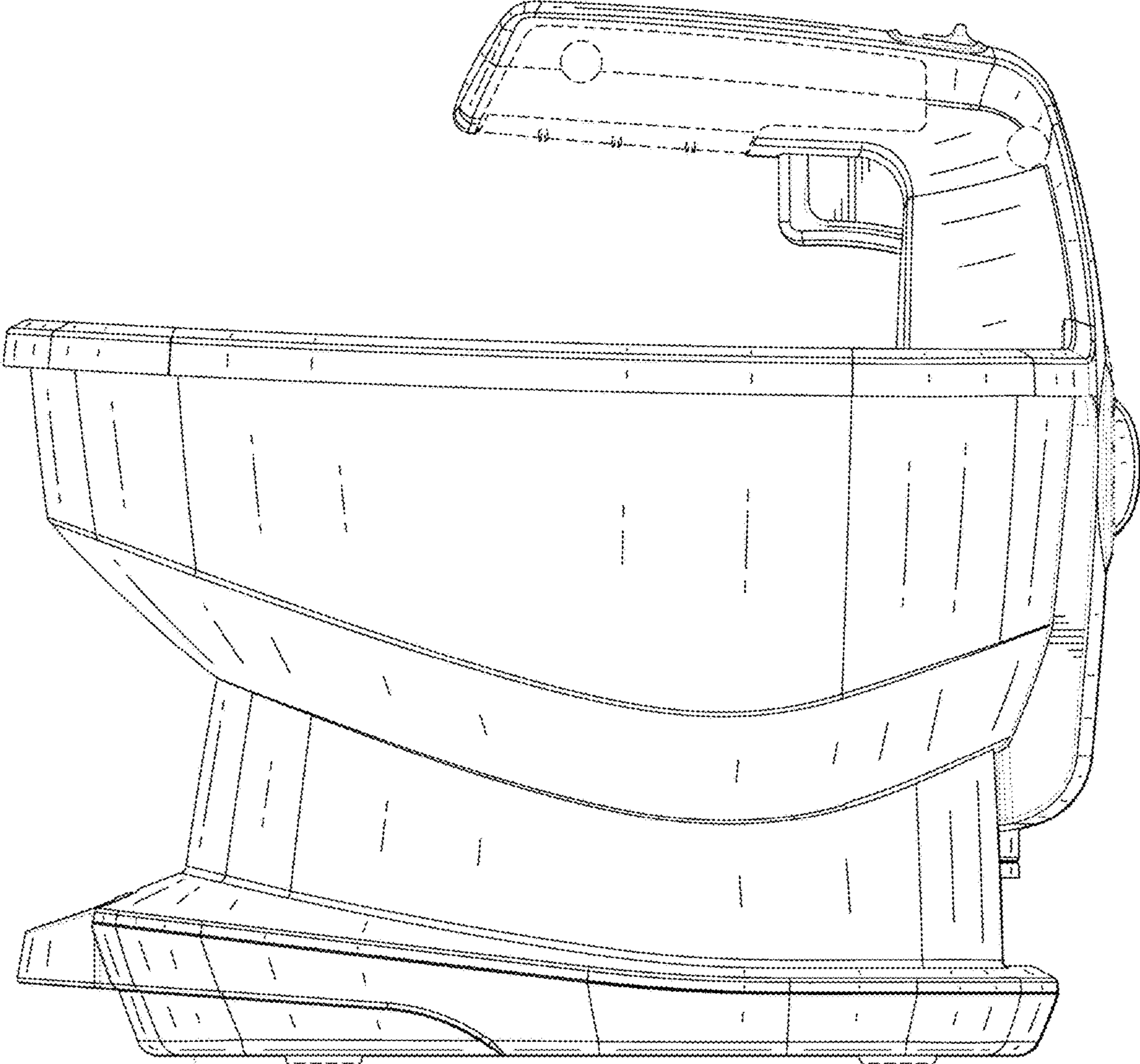


FIG. 8

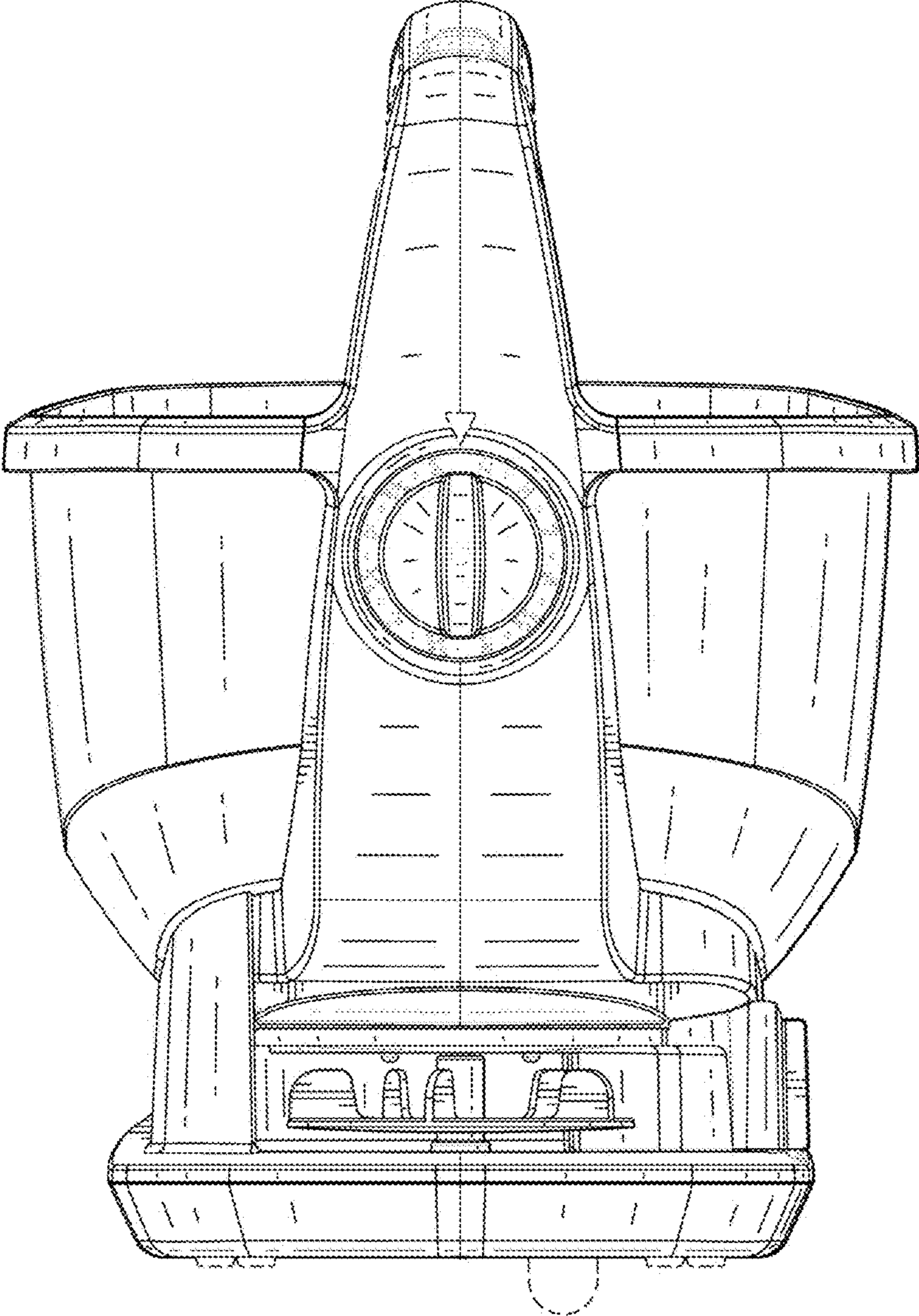


FIG. 9

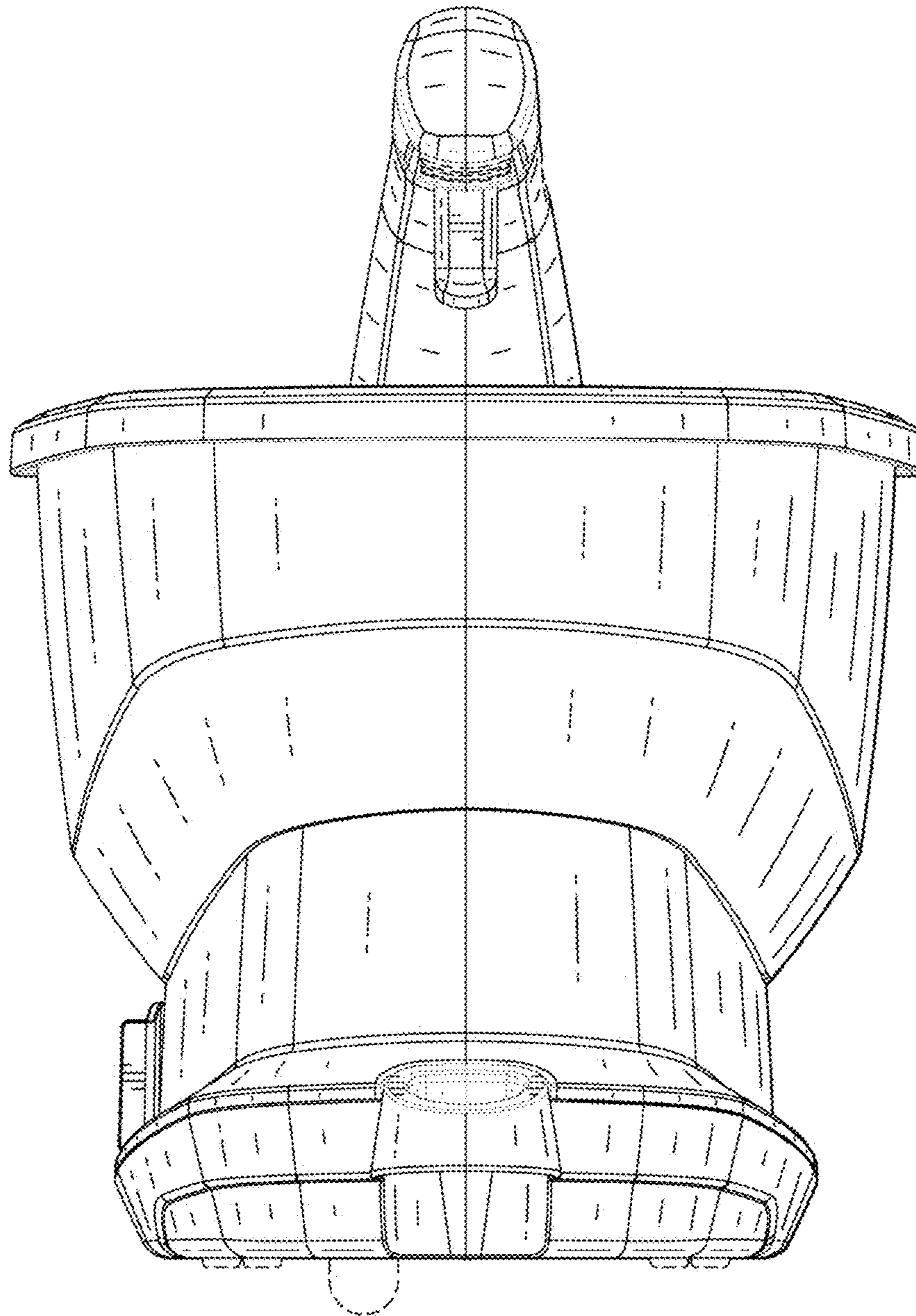


FIG. 10

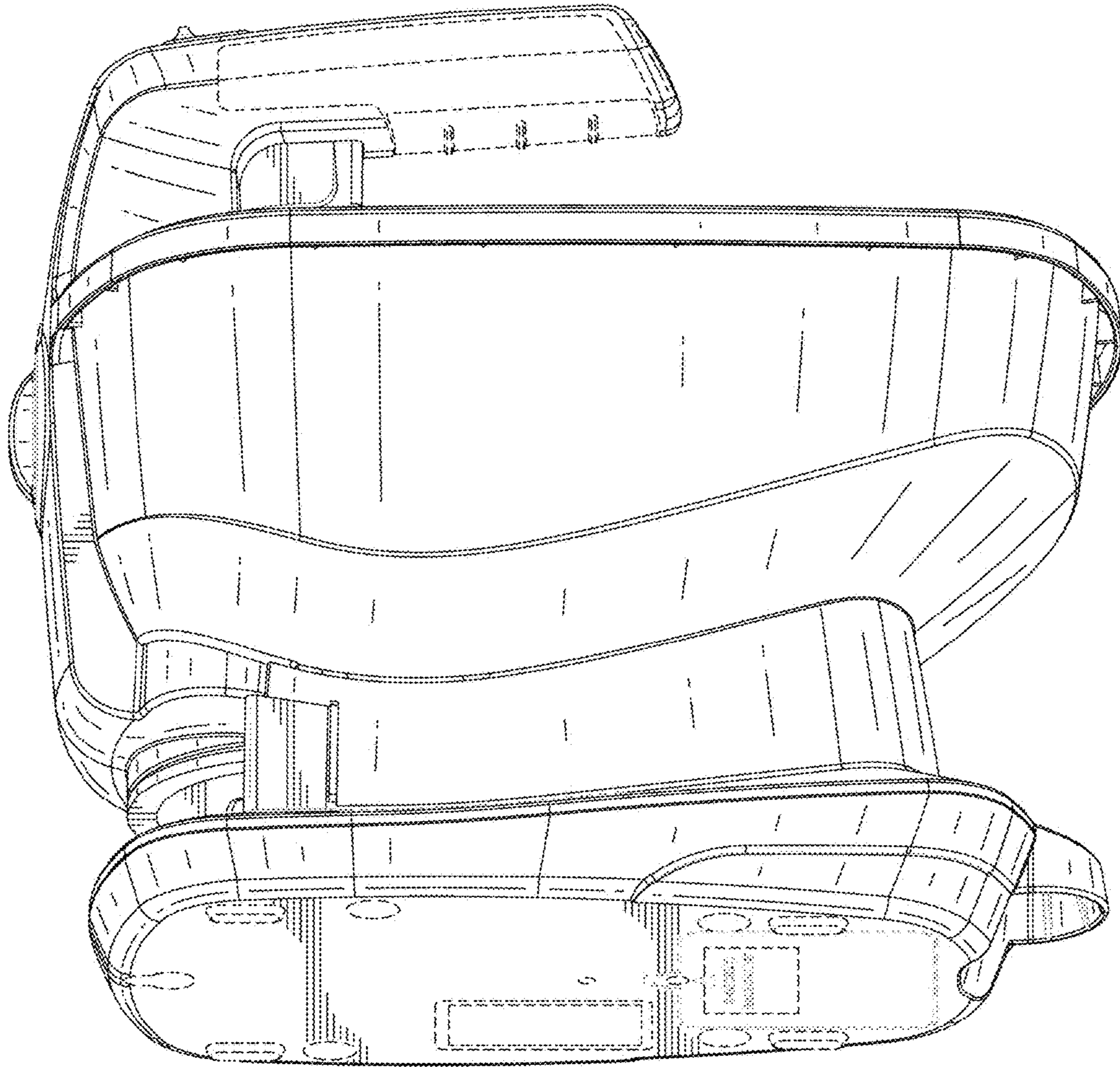


FIG. 11

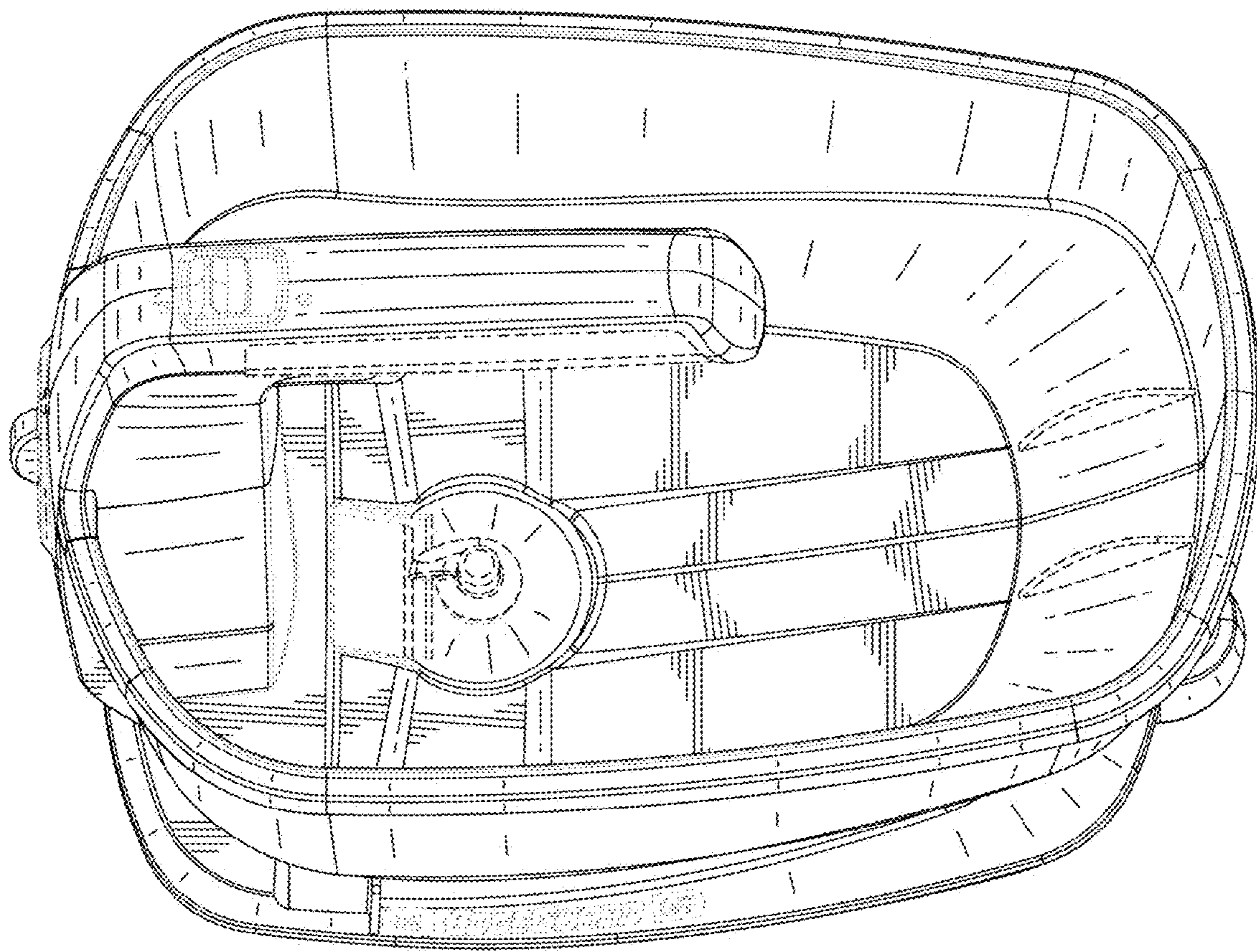


FIG. 12

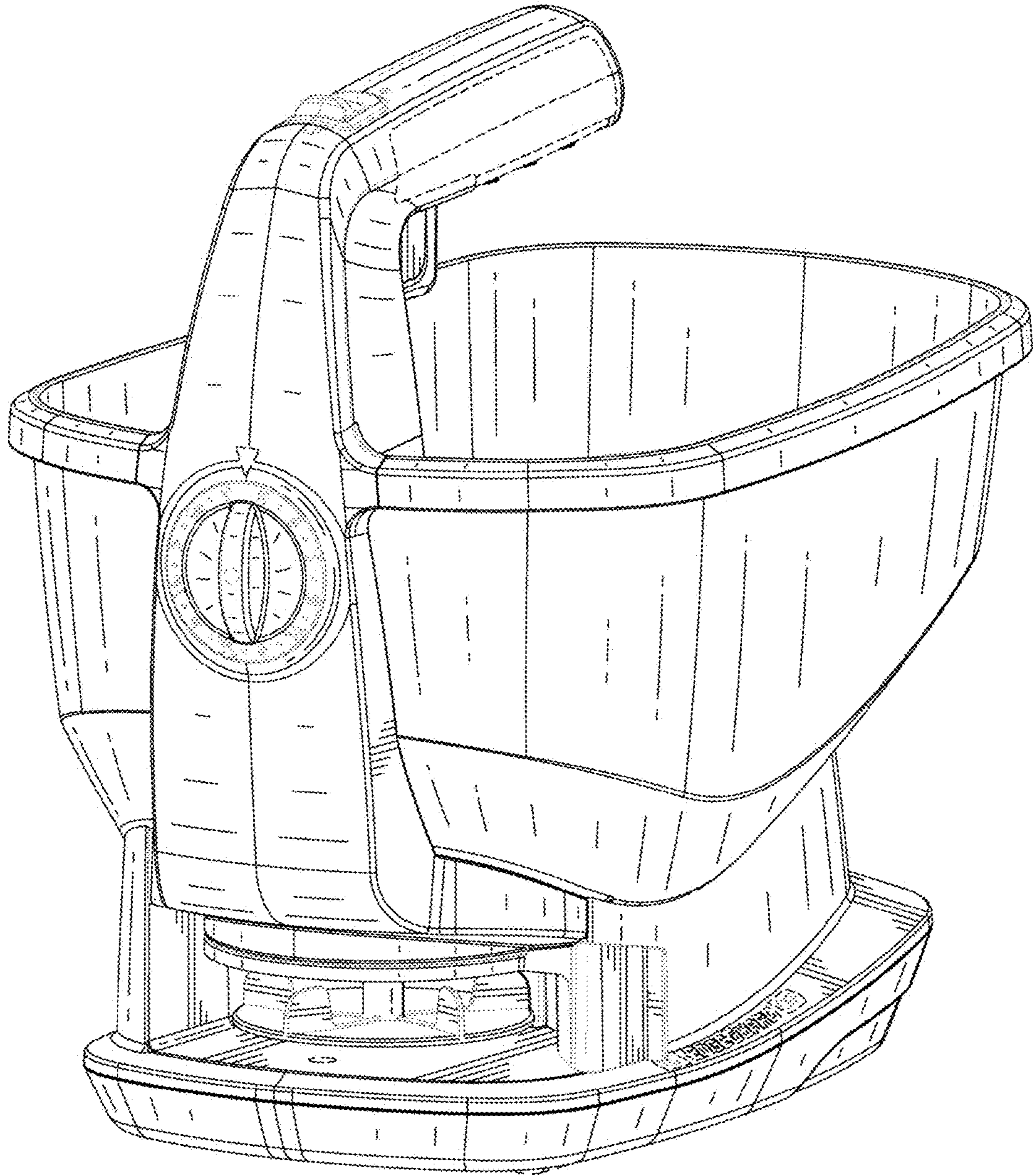


FIG. 13