



US00D855420S

(12) **United States Design Patent** (10) **Patent No.:** **US D855,420 S**
Dubiel et al. (45) **Date of Patent:** **** Aug. 6, 2019**

(54) **IRRIGATION INJECTOR**
(71) Applicant: **Chapin Manufacturing, Inc.**, Batavia, NY (US)
(72) Inventors: **David Dubiel**, N. Chili, NY (US); **Edward Horeth**, Rochester, NY (US)

6,604,546 B1 8/2003 Gilmore
6,659,128 B2 12/2003 Gilmore
D517,878 S * 3/2006 Van Swieten D8/14.1
D588,693 S * 3/2009 Strong D24/112
D622,136 S * 8/2010 Bruce, III D8/382
D622,580 S * 8/2010 Bruce, III D8/382
(Continued)

(73) Assignee: **Chapin Manufacturing, Inc.**, Batavia, NY (US)

FOREIGN PATENT DOCUMENTS

(**) Term: **15 Years**

DE 3432902 A1 * 3/1986 A01C 23/026
DE 102010048751 A1 * 10/2010
(Continued)

(21) Appl. No.: **29/625,319**

OTHER PUBLICATIONS

(22) Filed: **Nov. 8, 2017**

Chapin 4700 HydroFeed Auto-Mix Fertilizer Injector, posted on chapinmfg.com, no posted date given, no production date given, [online], [site visited Aug. 5, 2018], Available from Internet, URL: <https://chapinmfg.com/Product/slug/Chapin-4700-HydroFeed-16-Ounce-Fertilizer-Injector-System> (Year: 2016).*

(51) **LOC (12) Cl.** **08-01**

(52) **U.S. Cl.**
USPC **D8/1**

(58) **Field of Classification Search**
USPC D7/392; D8/1, 2, 14, 14.1, 16, 29, 499; D10/46, 96, 99, 101, 102, 103; D23/200, D23/205, 206, 209, 235, 237, 248, 258, D23/259, 262; D24/107, 110.6, 112, 114, D24/117, 121, 129, 140, 232, 216, 222, D24/224; D30/121, 127
CPC A01C 23/026; A01M 17/002
See application file for complete search history.

Primary Examiner — Garth Rademaker
Assistant Examiner — Fritzgerald L Butac
(74) *Attorney, Agent, or Firm* — Woods Oviatt Gilman LLP; Katherine H. McGuire, Esq.

(56) **References Cited**

(57) **CLAIM**

The ornamental design for the irrigation injector, as shown and described.

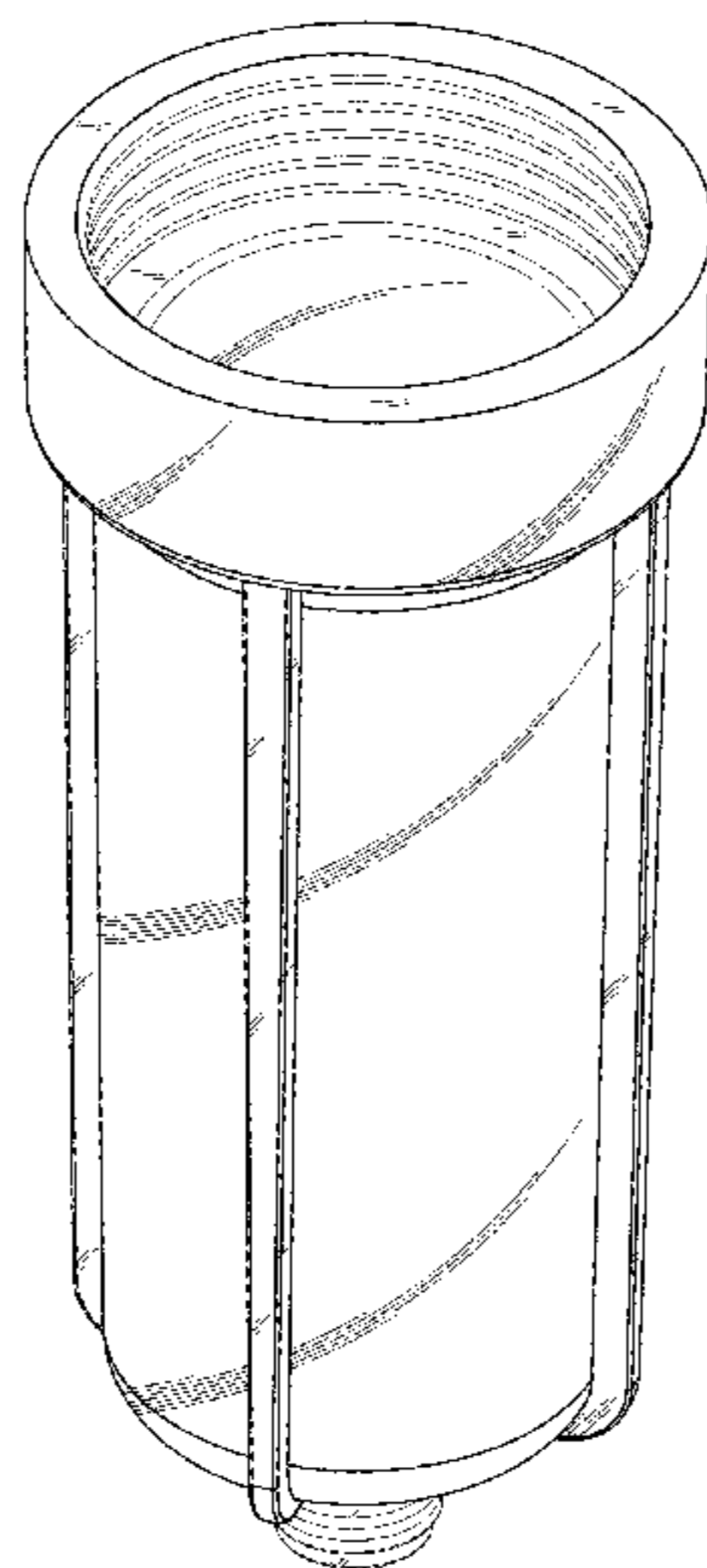
U.S. PATENT DOCUMENTS

DESCRIPTION

3,194,444 A 7/1965 Hubert
3,815,525 A * 6/1974 Kainson A01C 23/026
111/127
4,846,214 A 7/1989 Strong
4,934,287 A * 6/1990 Guin A01C 15/02
111/7.1
5,246,168 A 9/1993 Williams
5,322,085 A * 6/1994 Prothe A01C 23/026
137/268
5,484,106 A 1/1996 Gilmond
D425,677 S * 5/2000 Williamson D32/25

FIG. 1 is a front perspective view of an irrigation injector of our new design;
FIG. 2 is a left side view thereof;
FIG. 3 is a right side view thereof;
FIG. 4 is a front view thereof;
FIG. 5 is a back view thereof;
FIG. 6 is a top view thereof; and,
FIG. 7 is a bottom view thereof.

1 Claim, 4 Drawing Sheets



(56)

References Cited

U.S. PATENT DOCUMENTS

D625,387 S * 10/2010 Kojima D23/200
D625,771 S * 10/2010 Kojima D23/200
D644,074 S * 8/2011 Franchini D8/1
8,234,996 B2 * 8/2012 Smith B07B 13/00
116/1
D685,449 S * 7/2013 Patera D23/209
D685,451 S * 7/2013 Patera D23/209
D702,834 S * 4/2014 Norton D24/130
D703,558 S * 4/2014 Matusik D10/96
D703,560 S * 4/2014 Matusik D10/96
D703,561 S * 4/2014 Matusik D10/96
D708,080 S * 7/2014 Matusik D10/96
D713,276 S * 9/2014 Matusik D10/96
D733,871 S * 7/2015 Wilcox D24/117
D742,563 S * 11/2015 Kasha A47G 7/06
D26/22
D746,950 S * 1/2016 Castrigno D23/259
D768,447 S * 10/2016 Jungklaus D8/14
D775,953 S * 1/2017 Ruthe-Steinsiek D19/192
D777,908 S * 1/2017 Amend Kwasnik D24/113
D796,278 S * 9/2017 Lonsway D8/1
D820,948 S * 6/2018 An D23/209
D823,992 S * 7/2018 Passino, Jr. D23/248
D824,040 S * 7/2018 Demmink D24/224
2004/0060948 A1 * 4/2004 Winn A01C 7/02
222/518
2010/0129157 A1 * 5/2010 Reddy A01M 17/002
405/128.7

FOREIGN PATENT DOCUMENTS

RU 2222938 C1 * 2/2004
SU 1419732 A1 * 8/1988

* cited by examiner

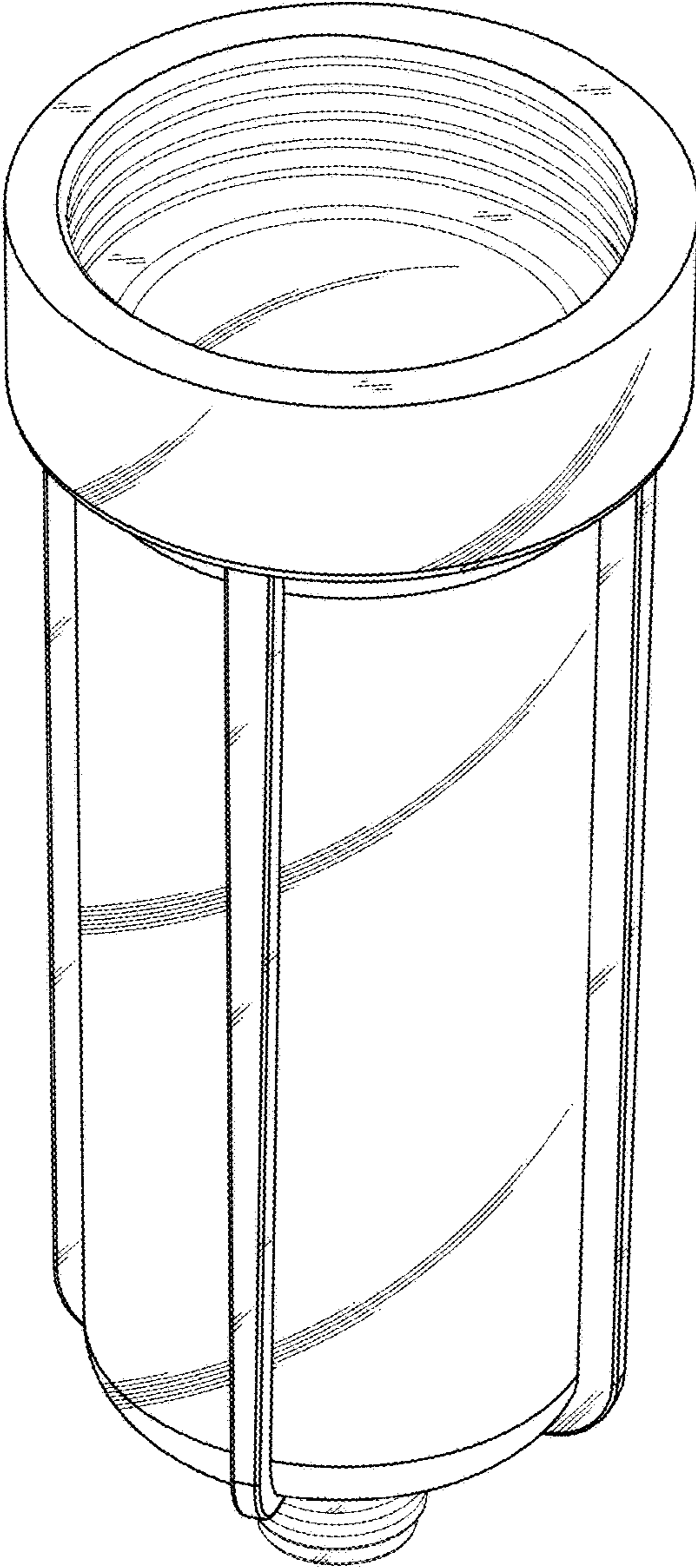


FIG.1

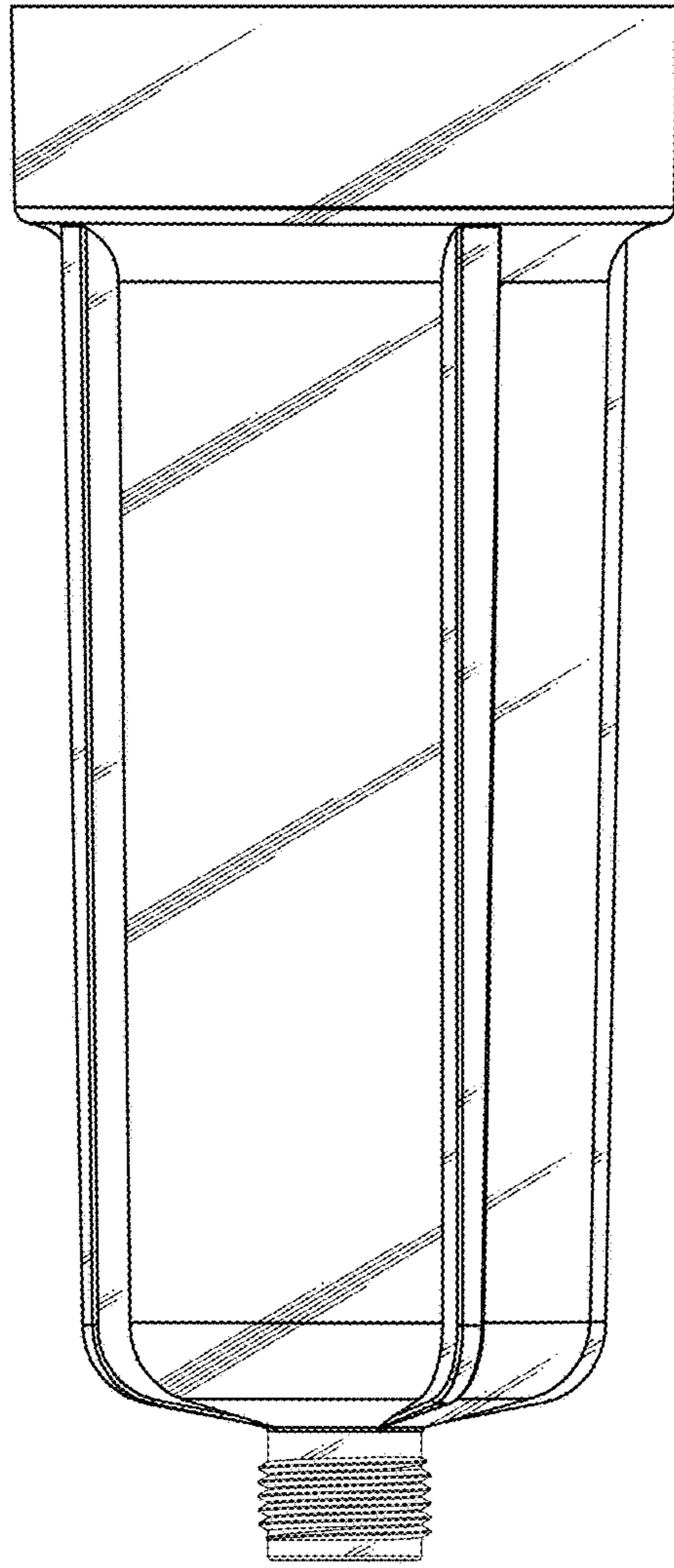


FIG. 2

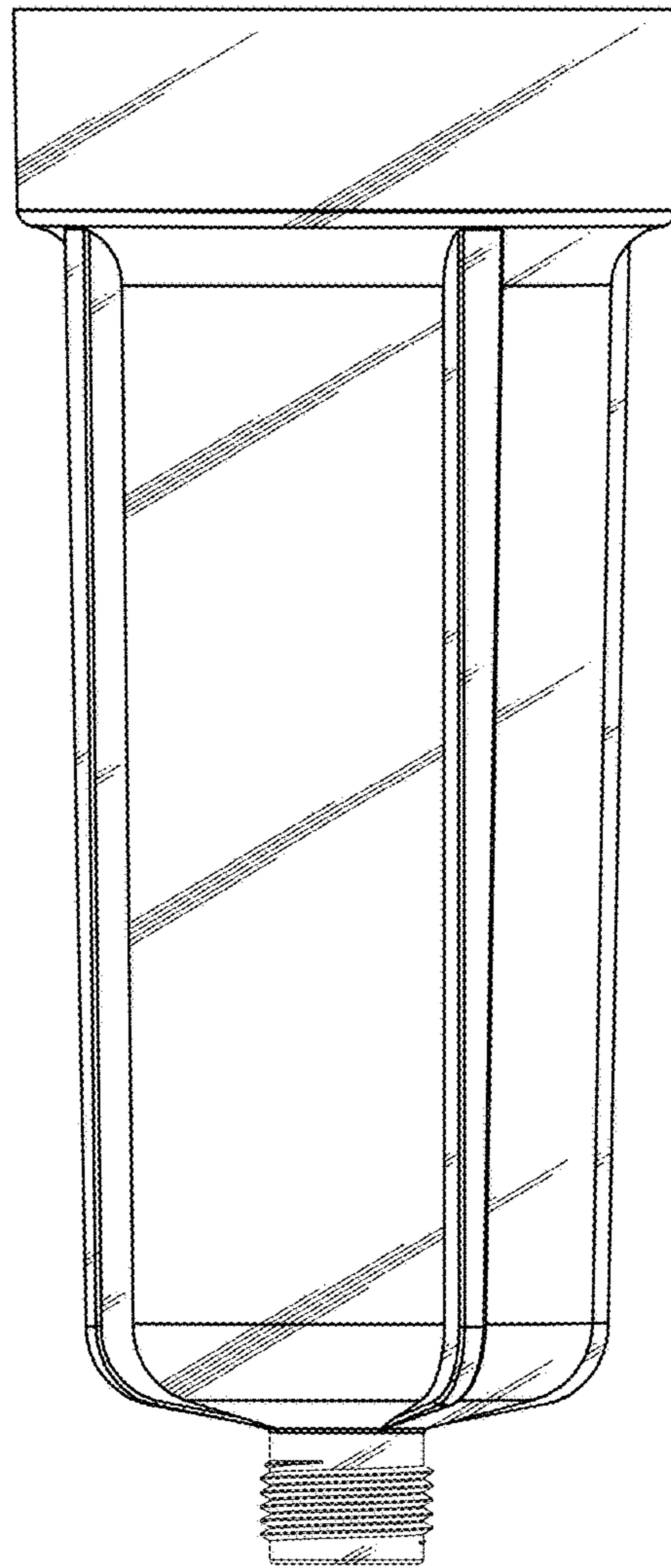


FIG. 3

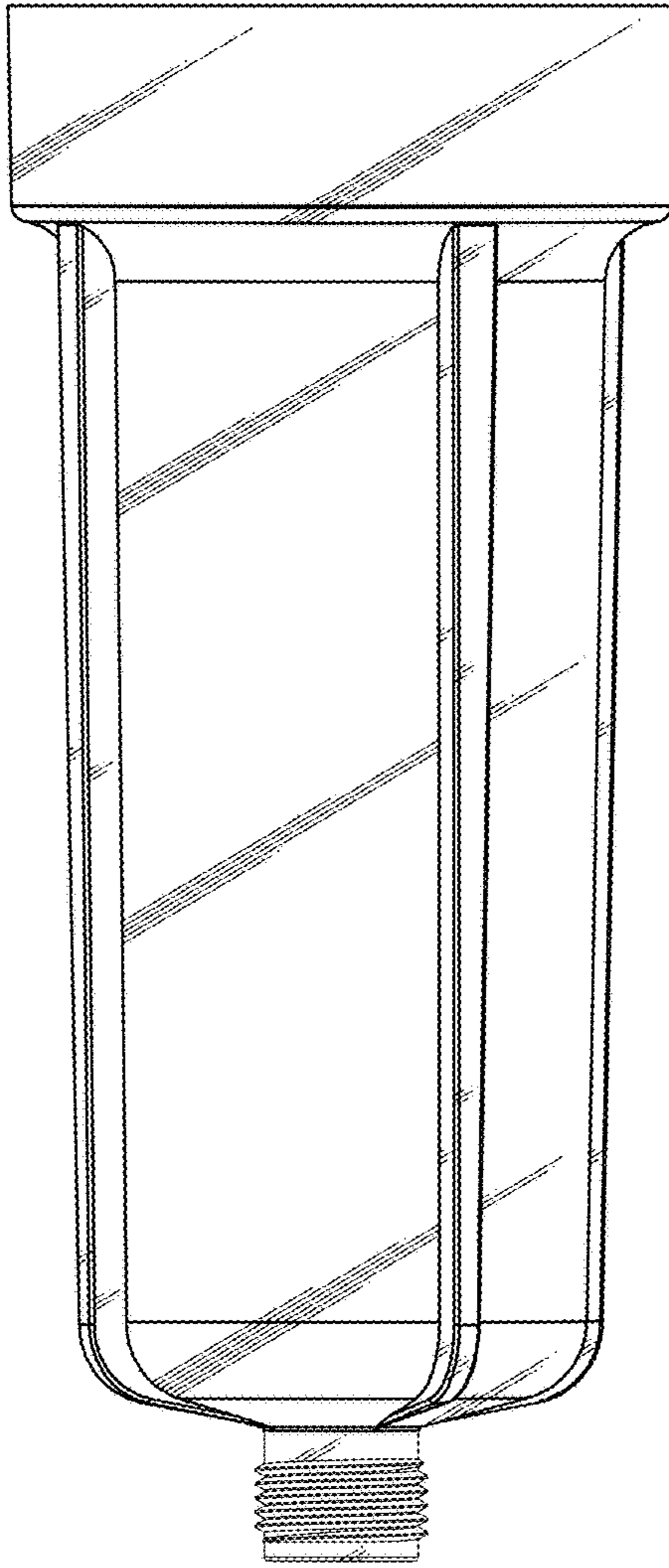


FIG. 4

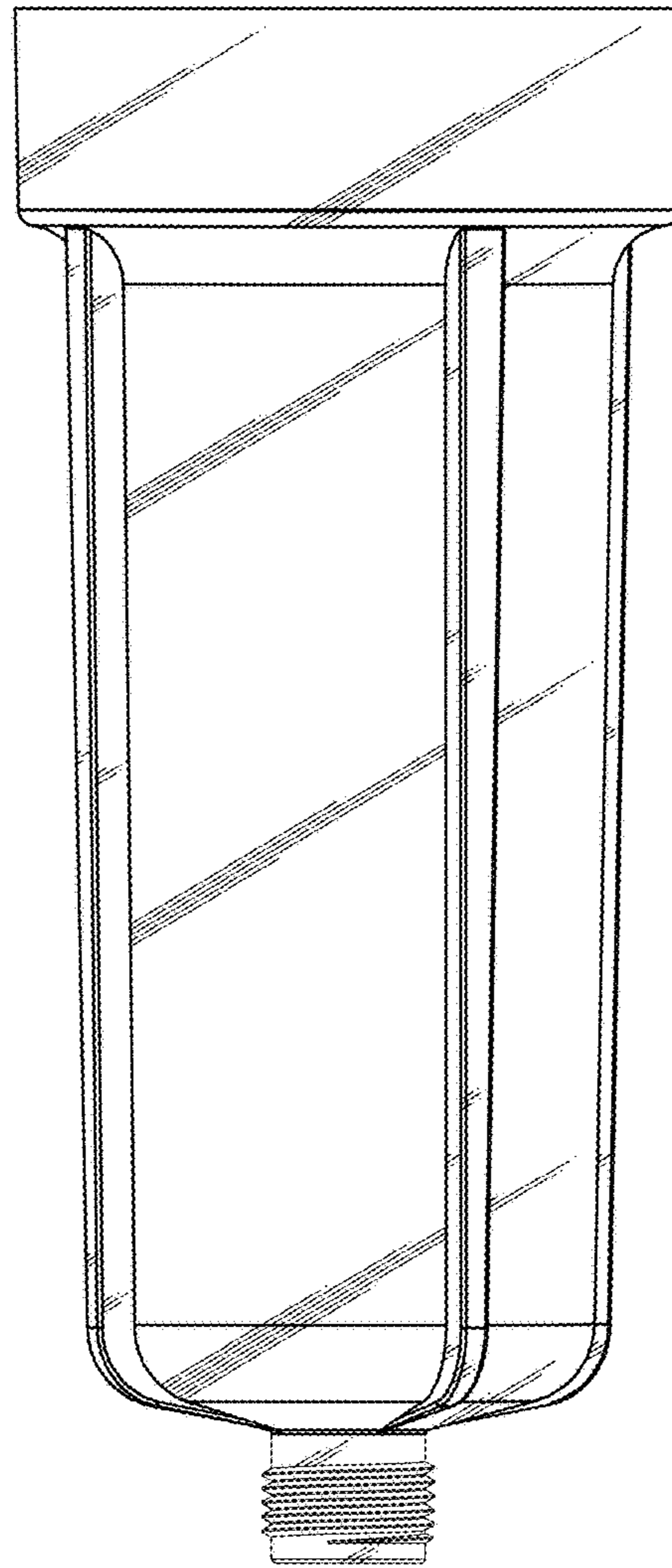


FIG. 5

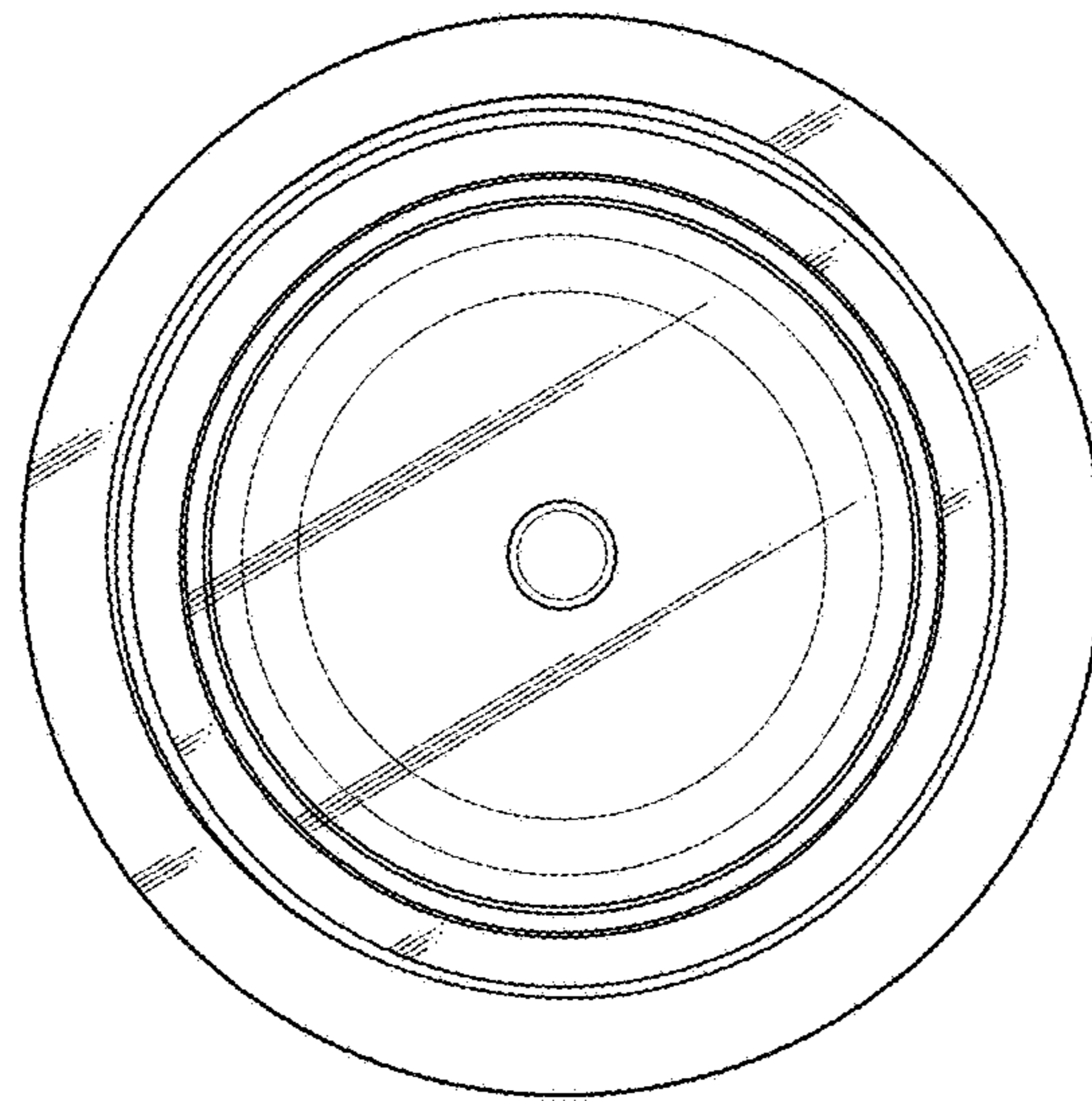


FIG. 6

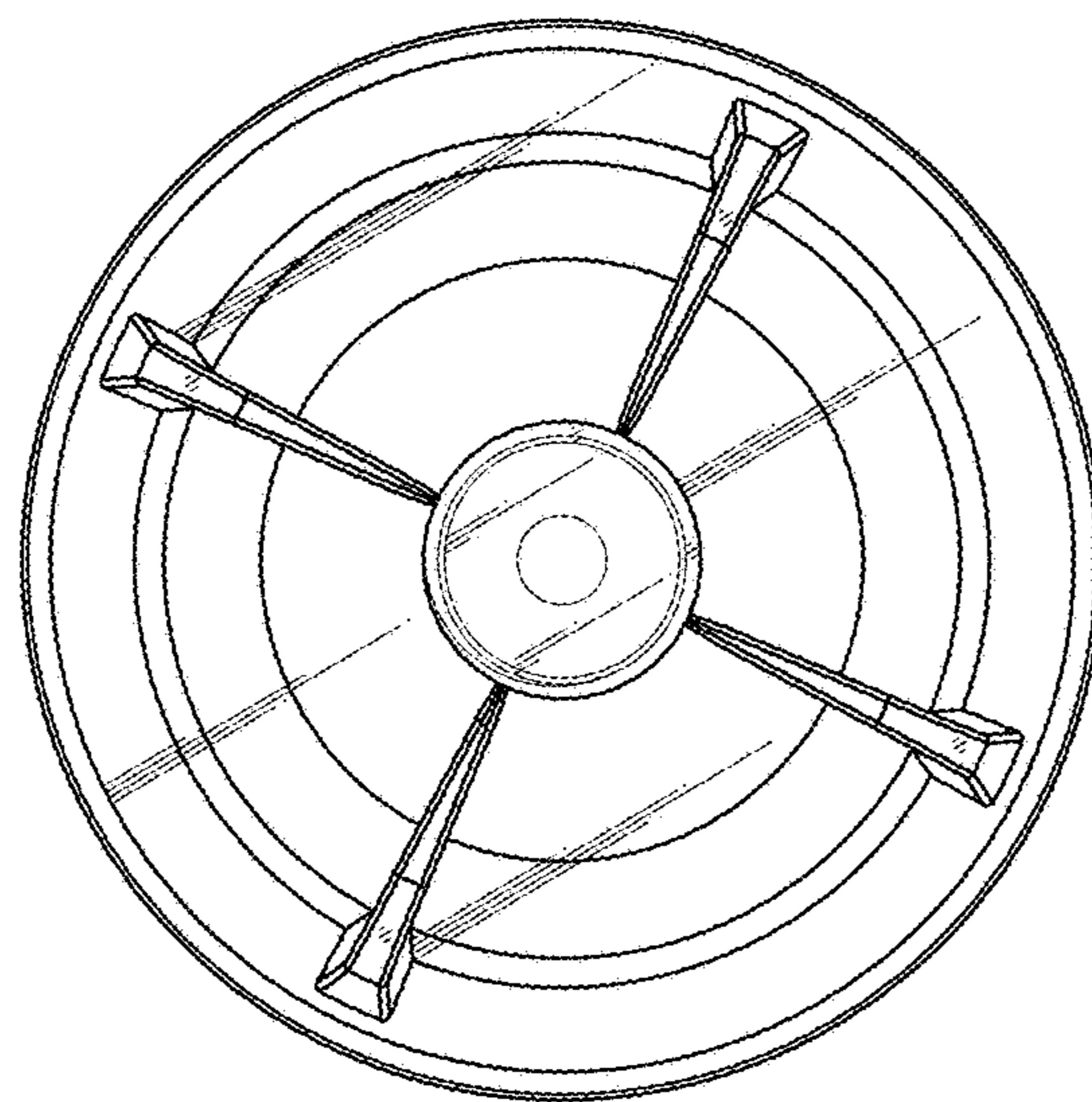


FIG. 7