



US00D855419S

(12) **United States Design Patent** (10) **Patent No.:** **US D855,419 S**
Escontrela et al. (45) **Date of Patent:** **** Aug. 6, 2019**

(54) **COMBINED BEVERAGE INSULATION AND STORAGE JACKET**

(71) Applicants: **Jessiana Escontrela**, Miami, FL (US);
Henry Zamarripa, Miami, FL (US)

(72) Inventors: **Jessiana Escontrela**, Miami, FL (US);
Henry Zamarripa, Miami, FL (US)

(**) Term: **15 Years**

(21) Appl. No.: **29/638,821**

(22) Filed: **Mar. 1, 2018**

(51) **LOC (12) Cl.** **07-06**

(52) **U.S. Cl.**
USPC **D7/701; D7/607; D7/624.2**

(58) **Field of Classification Search**
USPC D7/619.1-625, 603-608, 701-708;
D9/455; D8/33, 40
CPC B65D 81/3881; B65D 81/3886; B65D
81/3883; B65D 23/08; B65D 23/0885;
A47G 23/0241; A47G 23/0266; A47G
19/2288; A47G 21/145; A61F 7/10; F25D
3/08; F25D 3/12; F25D 3/14; A45C
11/20; A45F 3/44

See application file for complete search history.

(56) **References Cited**

U.S. PATENT DOCUMENTS

- D266,048 S * 9/1982 Zills 220/903
- 4,540,611 A * 9/1985 Henderson B65D 23/08
150/901
- 5,313,807 A * 5/1994 Owen B65D 81/3886
62/372
- 5,390,804 A * 2/1995 Beggins B65D 23/0885
215/12.1
- D399,707 S * 10/1998 Villarreal, Jr. D7/607

- D474,887 S * 5/2003 Forster D3/229
- D516,393 S * 3/2006 Wickenhauser D7/619.1
- D544,312 S * 6/2007 Dill-Schmidt D7/624.3
- D704,006 S * 5/2014 Gonzales D7/607
- D725,445 S * 3/2015 Braithwaite D7/601
- 9,357,829 B1 * 6/2016 Ikier A45F 3/44
- D773,809 S * 12/2016 Lieser D3/232
- 2016/0270575 A1 * 9/2016 Panone A47G 21/145

* cited by examiner

Primary Examiner — Terry A Wallace

(74) *Attorney, Agent, or Firm* — The Rapacke Law Group, P.A.

(57) **CLAIM**

The ornamental design for a combined beverage insulation and storage jacket, as shown and described.

DESCRIPTION

FIG. 1 is a bottom perspective view of the combined beverage insulation and storage jacket showing my new design;

FIG. 2 is a front elevational view of the combined beverage insulation and storage jacket thereof;

FIG. 3 is a rear elevational view of the combined beverage insulation and storage jacket thereof;

FIG. 4 is a right side elevational view of the combined beverage insulation and storage jacket thereof;

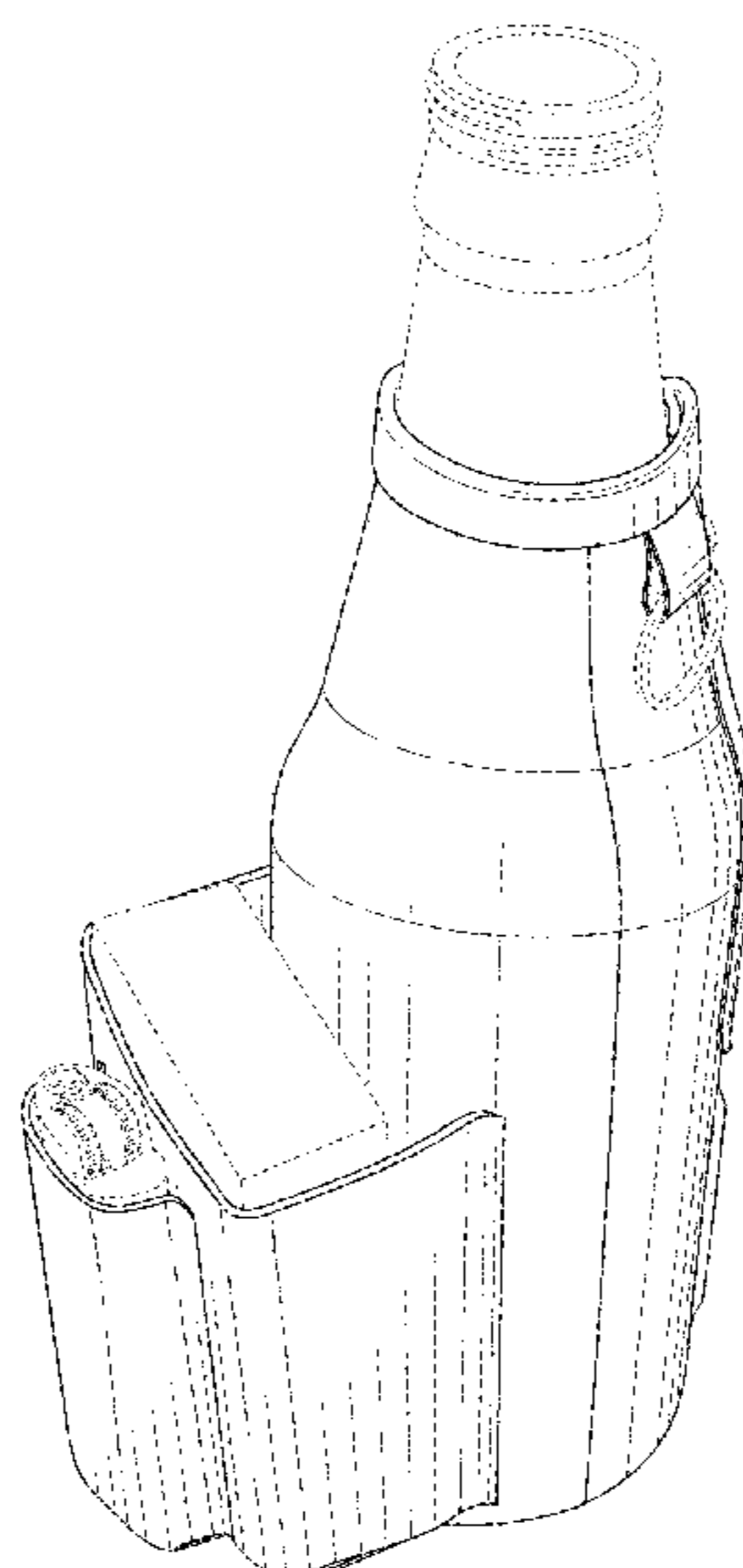
FIG. 5 is a left side elevational view of the combined beverage insulation and storage jacket thereof;

FIG. 6 is a top plan view of the combined beverage insulation and storage jacket thereof; and,

FIG. 7 is a bottom plan view of the combined beverage insulation and storage jacket thereof.

The broken lines in the drawings illustrate environmental subject matter and form no part of the claimed design.

1 Claim, 5 Drawing Sheets



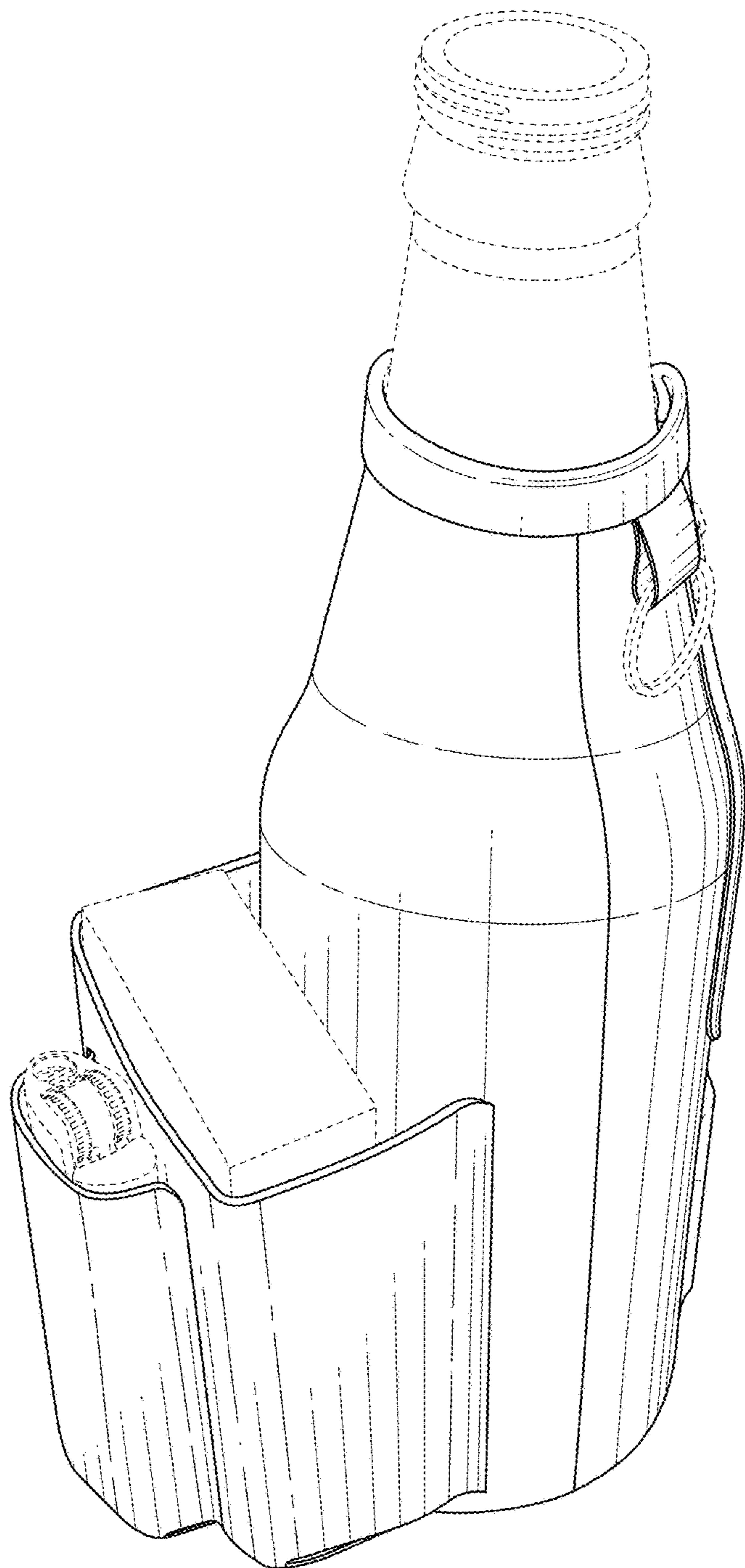


FIG. 1

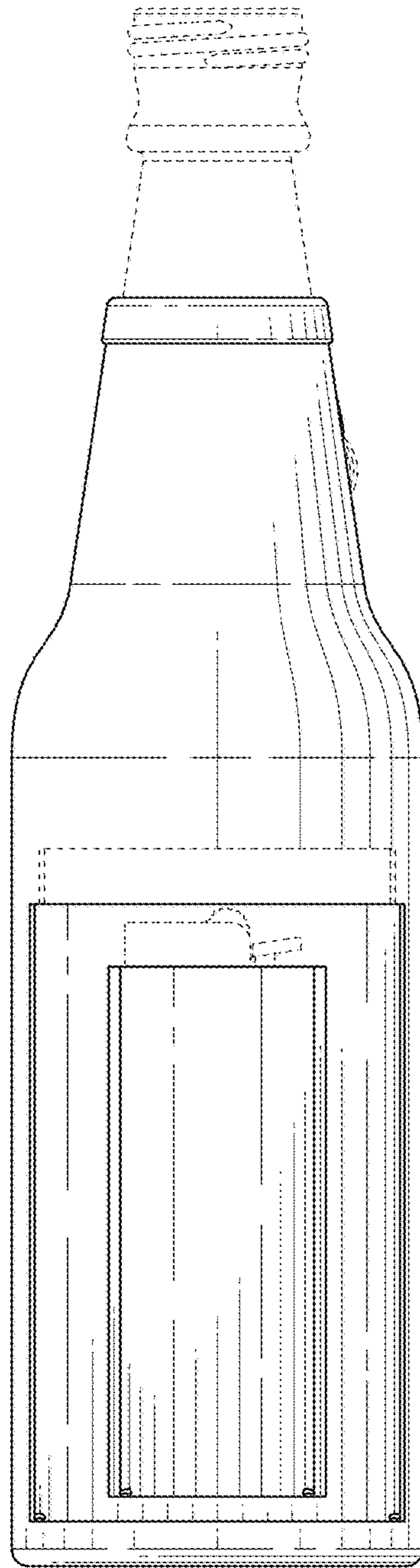


FIG. 2

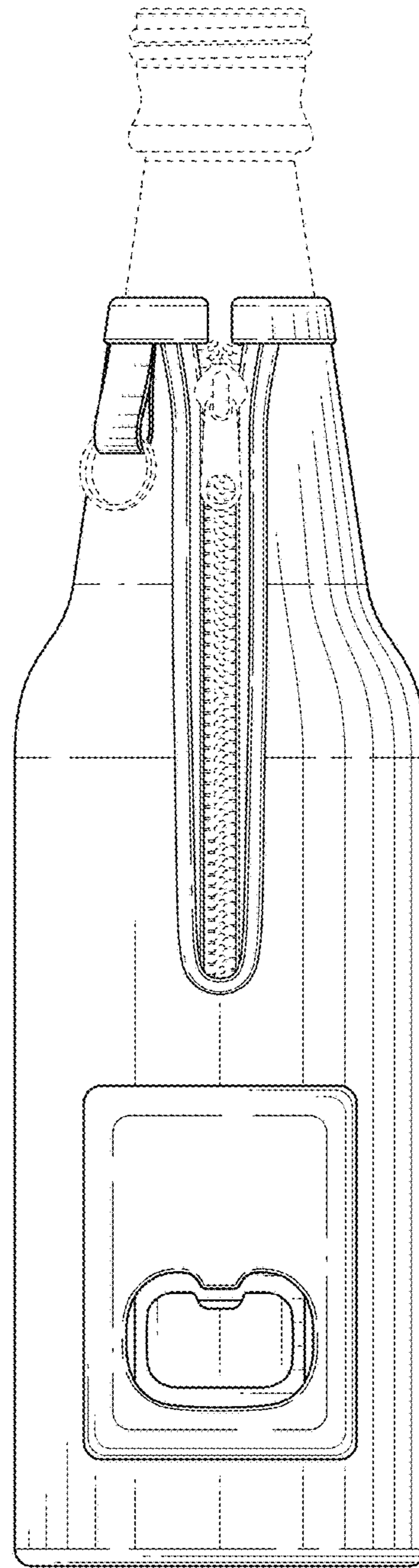


FIG. 3

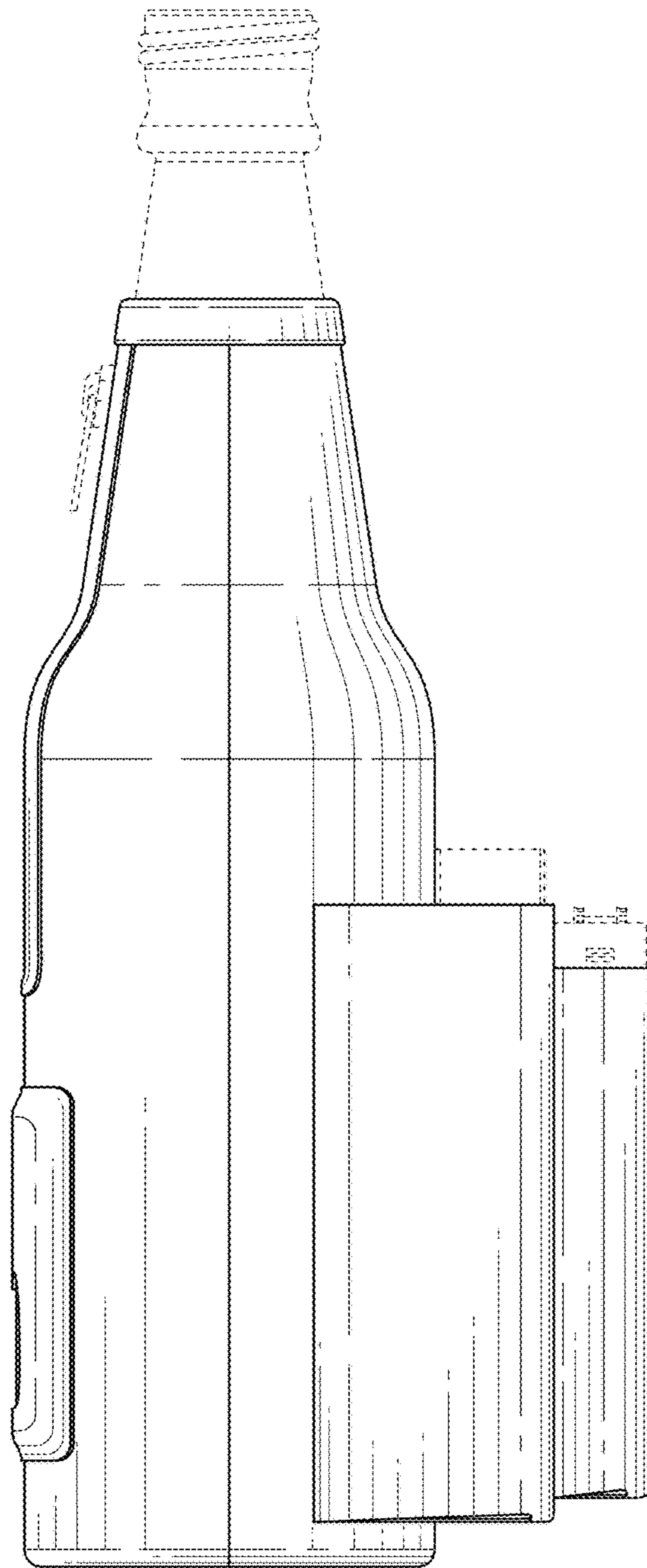


FIG. 4

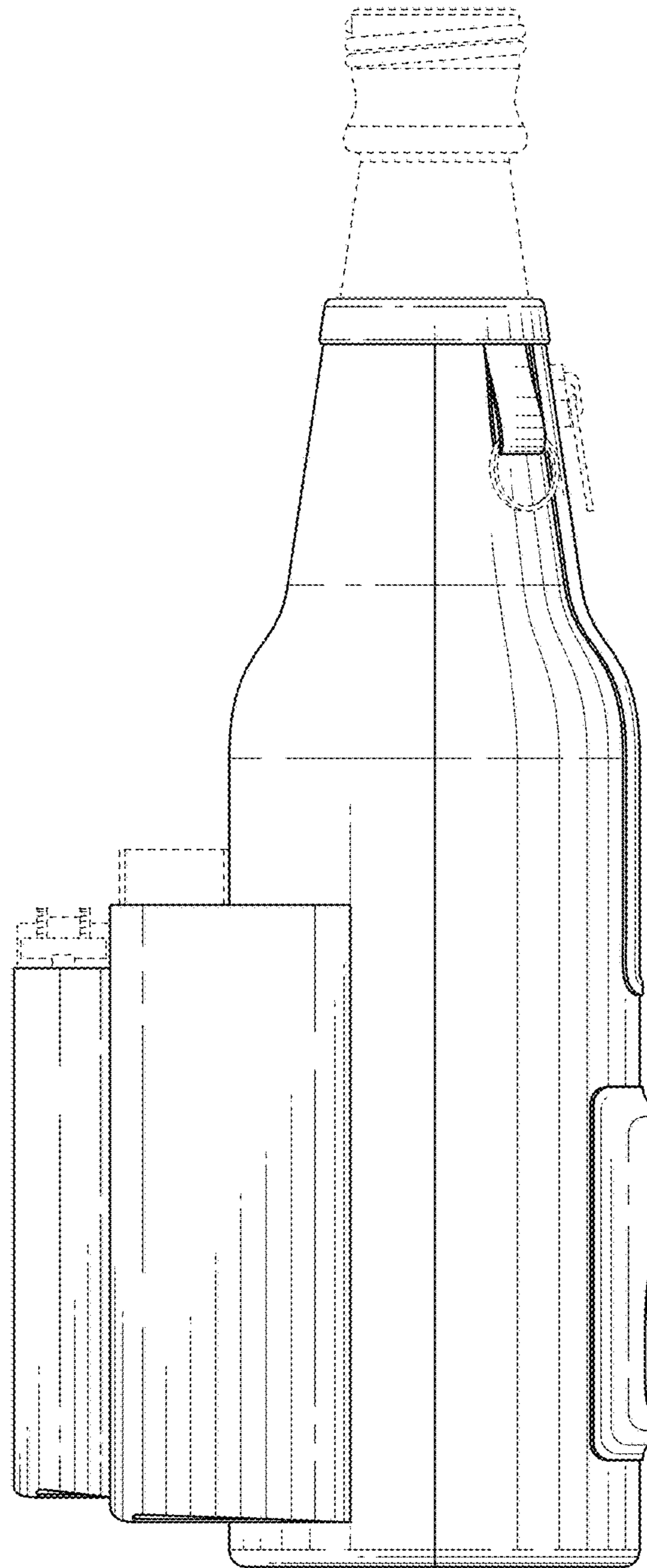


FIG. 5

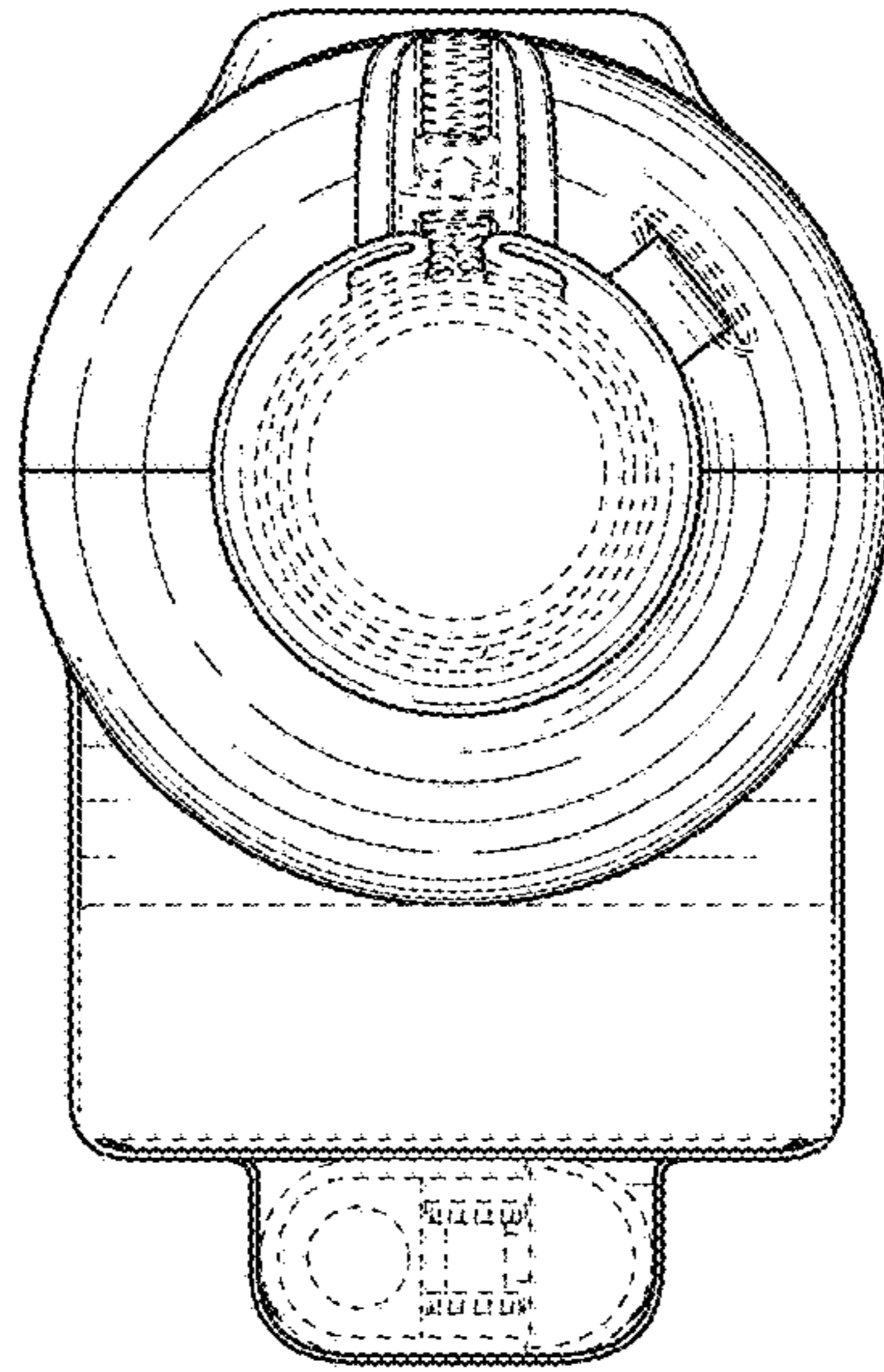


FIG. 6

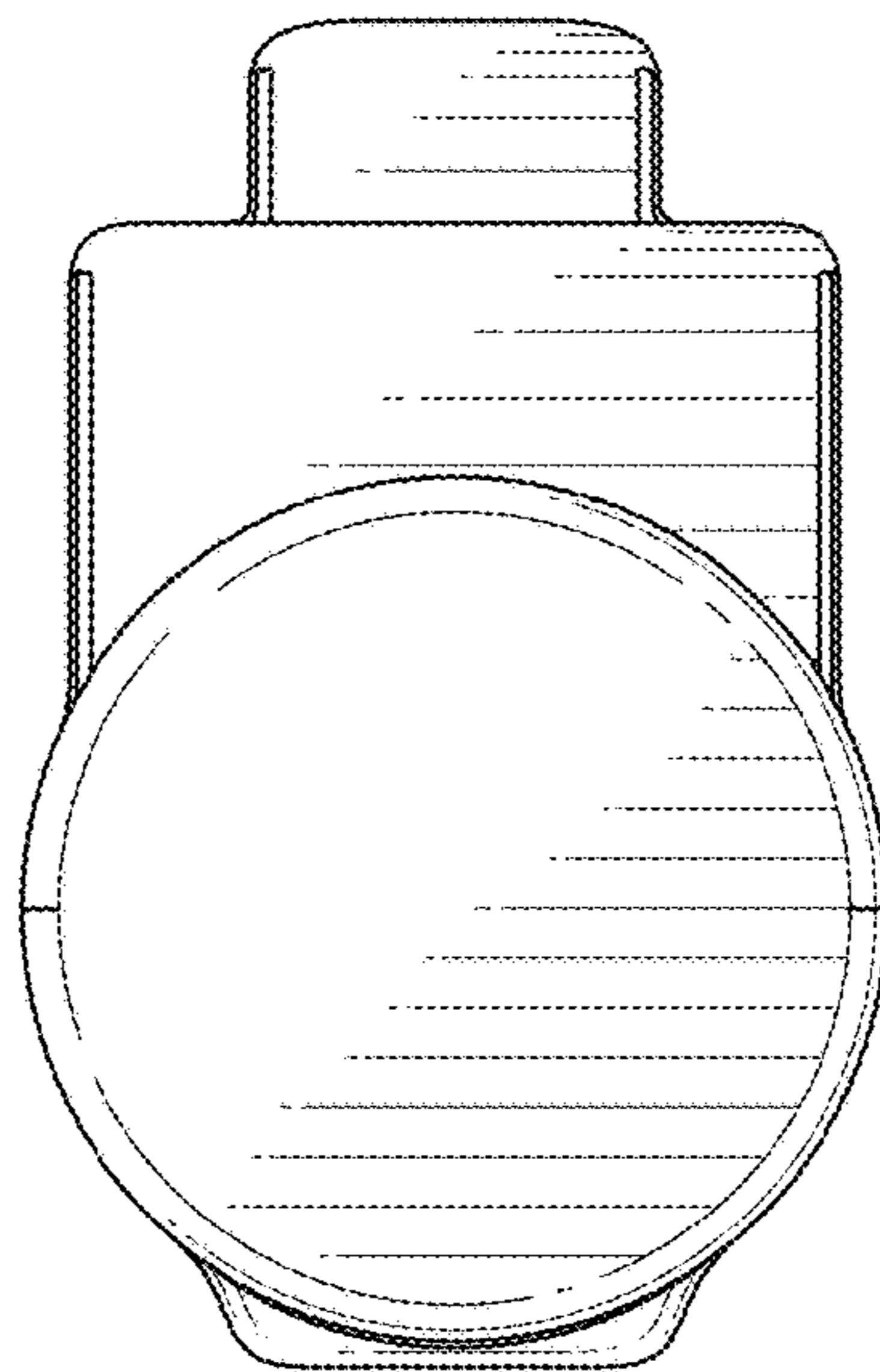


FIG. 7