



US00D855417S

(12) **United States Design Patent**  
**Cooper et al.**

(10) **Patent No.:** **US D855,417 S**

(45) **Date of Patent:** **\*\* Aug. 6, 2019**

(54) **TONGS**

(71) Applicant: **Polder Products, LLC**, Oxford, CT (US)

(72) Inventors: **Kerry Cooper**, Pleasantville, NY (US); **Benny Su**, Yangjiang (CN); **Yuanshen Huang**, Yangjiang (CN)

(73) Assignee: **POLDER PRODUCTS, LLC**, Oxford, CT (US)

(\*\*) Term: **15 Years**

(21) Appl. No.: **29/639,855**

(22) Filed: **Mar. 9, 2018**

(51) **LOC (12) Cl.** ..... **07-06**

(52) **U.S. Cl.**  
USPC ..... **D7/686**

(58) **Field of Classification Search**  
USPC ..... D7/680–696, 368, 669  
CPC ..... A47J 43/283; A47J 43/28; A47J 43/288;  
A47J 37/0786; A47G 21/10; A47G 21/02;  
A47G 21/06; A47G 21/00; A47G 21/103;  
A47G 21/106; A47G 43/28; A61J 7/0023;  
B25J 11/0045; B25J 1/02; B25J 1/06;  
A21C 15/00

See application file for complete search history.

(56) **References Cited**

**U.S. PATENT DOCUMENTS**

D291,763 S \* 9/1987 Dunn ..... D7/687  
4,904,009 A \* 2/1990 Kozlinski ..... A47J 43/283  
100/234

5,403,052 A \* 4/1995 Lampron ..... A47J 43/288  
294/7  
D428,779 S \* 8/2000 Walker ..... D7/687

\* cited by examiner

*Primary Examiner* — Terry A Wallace

(74) *Attorney, Agent, or Firm* — Duane Morris LLP

(57) **CLAIM**

The ornamental design for the tongs, as shown and described.

**DESCRIPTION**

FIG. 1 is an isometric view of the tongs in a closed configuration;

FIG. 2 is a side view of the tongs in the closed configuration;

FIG. 3 is a side view of the tongs in the closed configuration from the opposite side of the side view shown in FIG. 2;

FIG. 4 is a top side view of the tongs in the closed configuration;

FIG. 5 is a bottom side view of the tongs in the closed configuration;

FIG. 6 is a front side view of the tongs in the closed configuration;

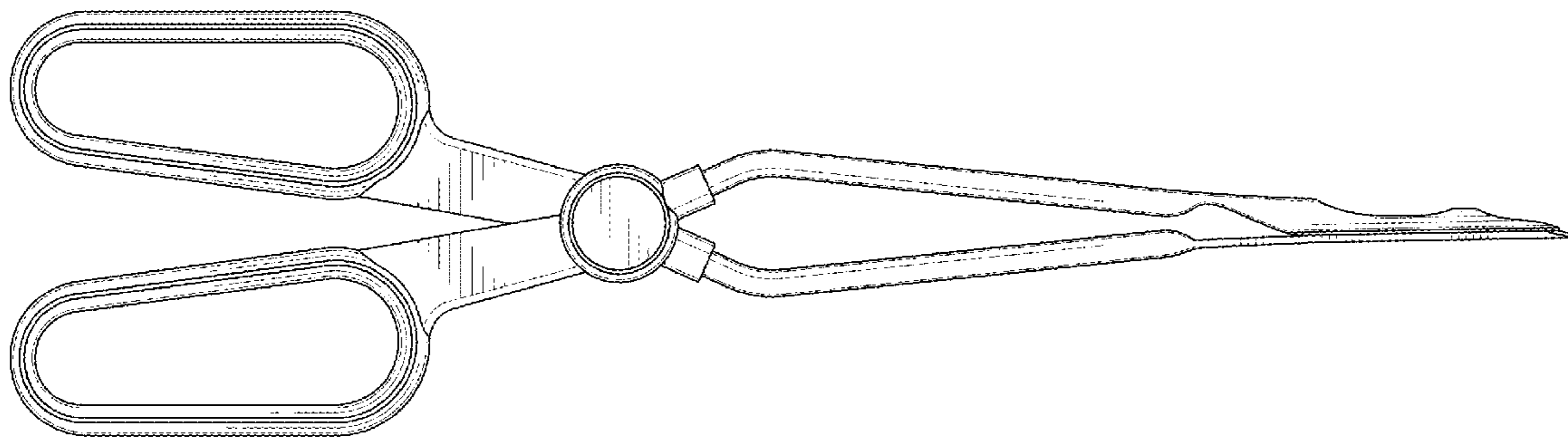
FIG. 7 is a rear side view of the tongs in the closed configuration;

FIG. 8 is an isometric view of the tongs in an open configuration; and,

FIG. 9 is another isometric view of tongs in an open configuration.

The lines having a jagged element in FIG. 9 are not part of the claimed design and show that no particular length of the portion is claimed.

**1 Claim, 8 Drawing Sheets**



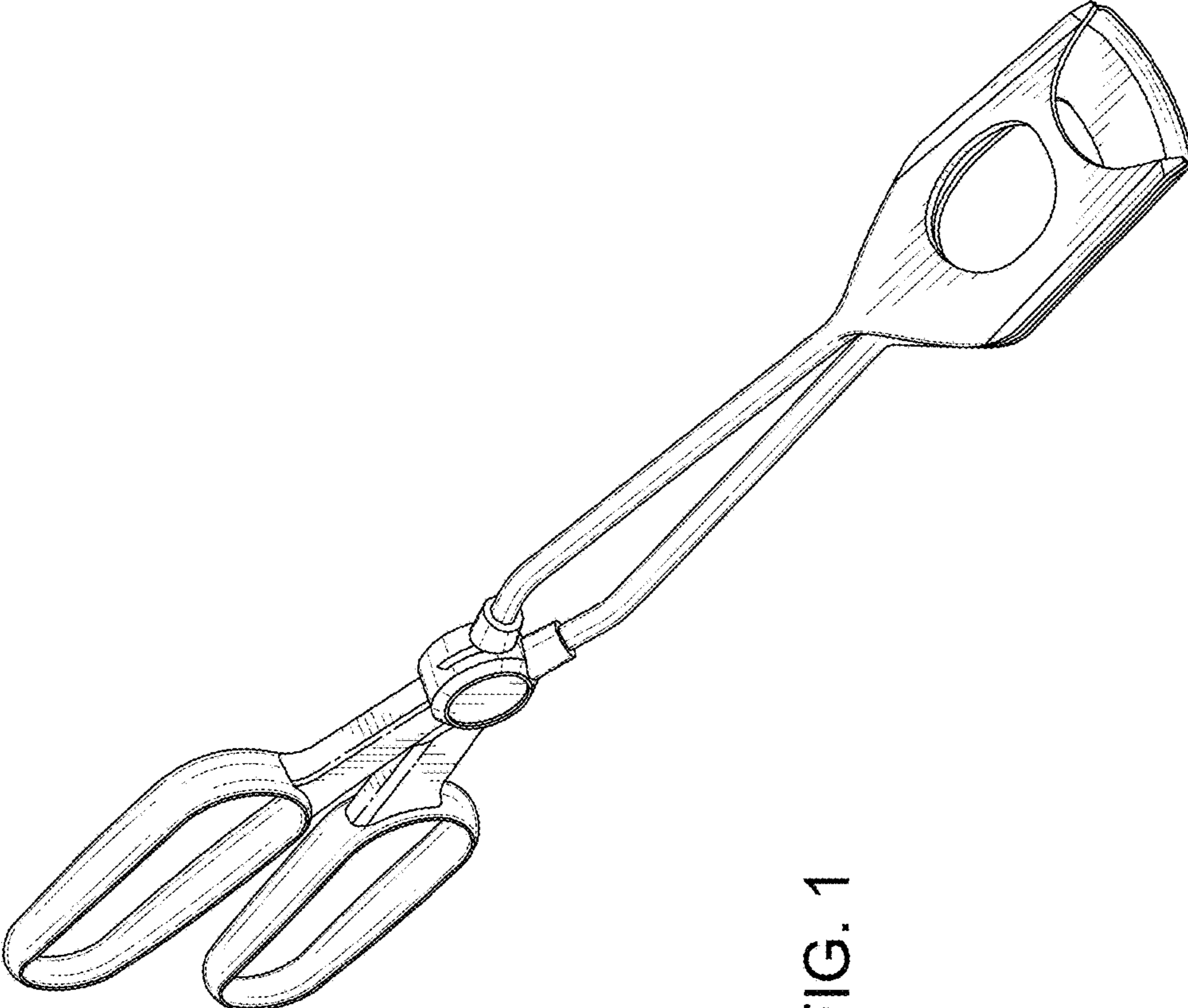


FIG. 1

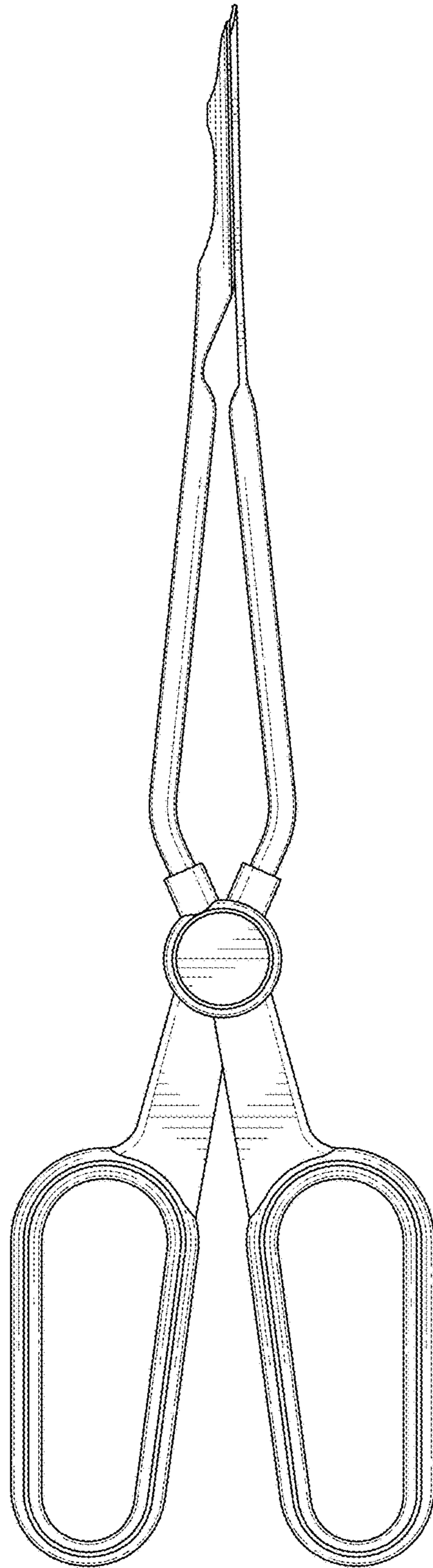


FIG. 2

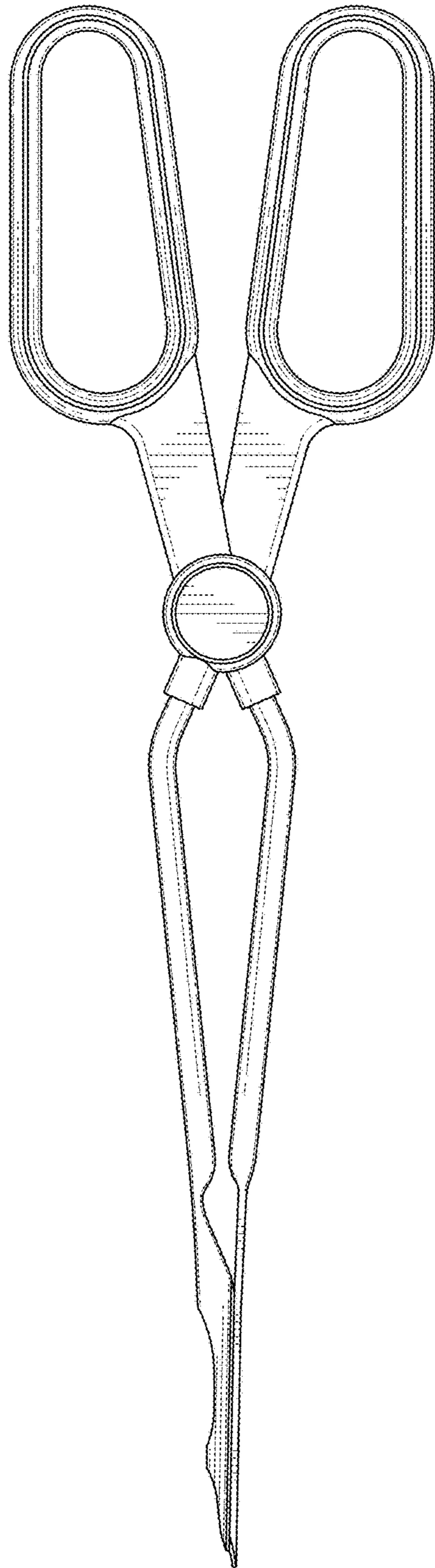


FIG. 3

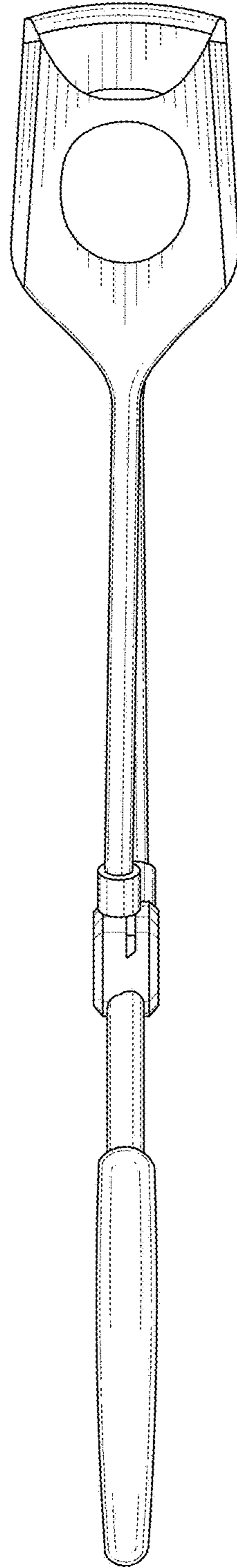


FIG. 4

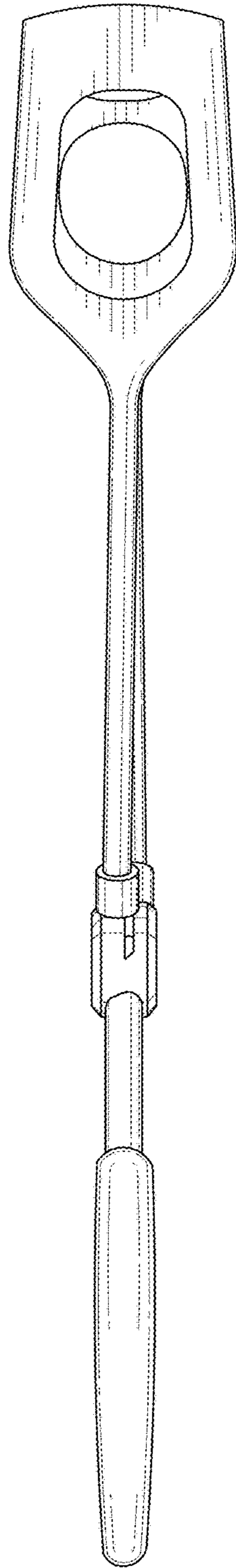


FIG. 5

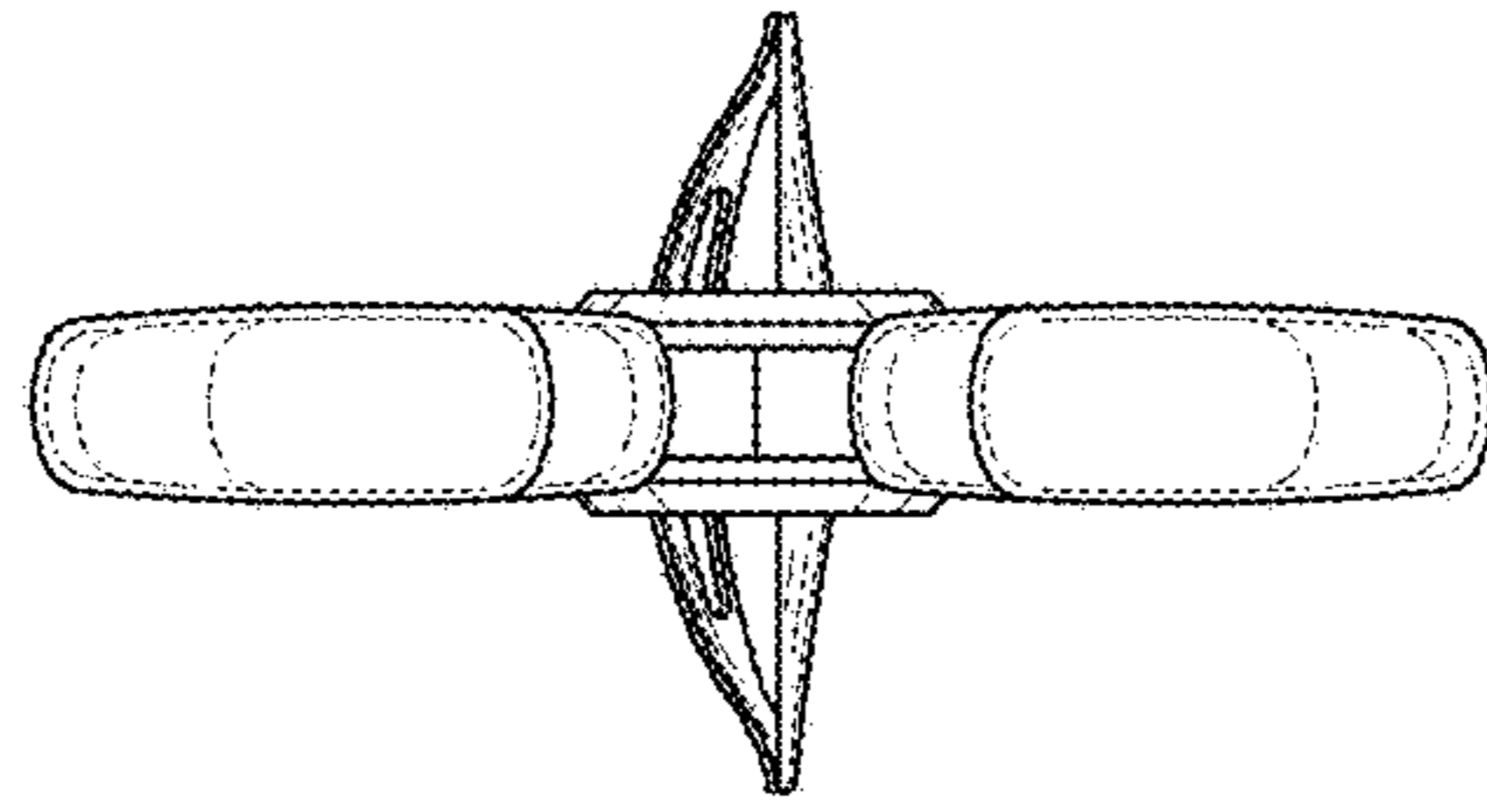


FIG. 7

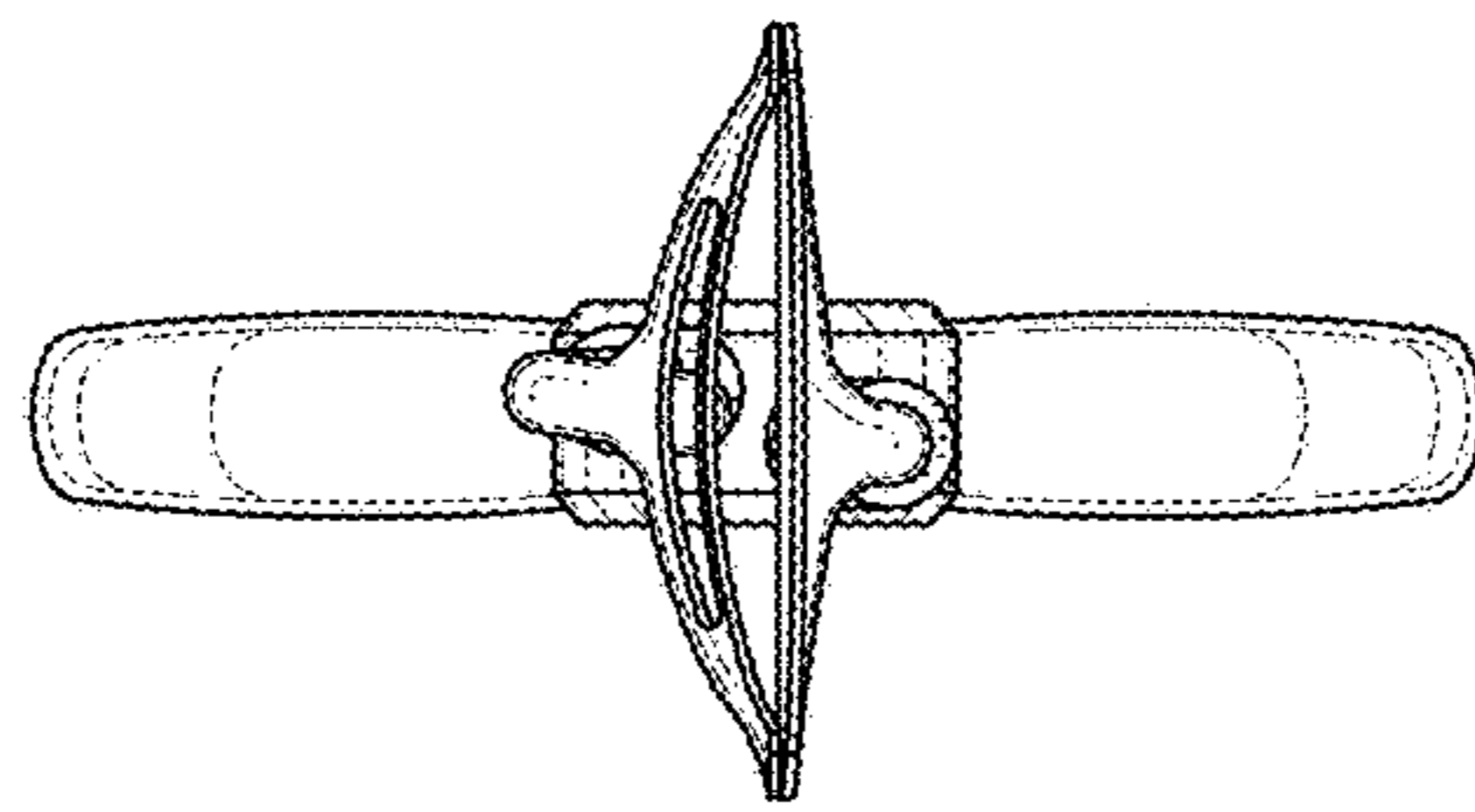


FIG. 6

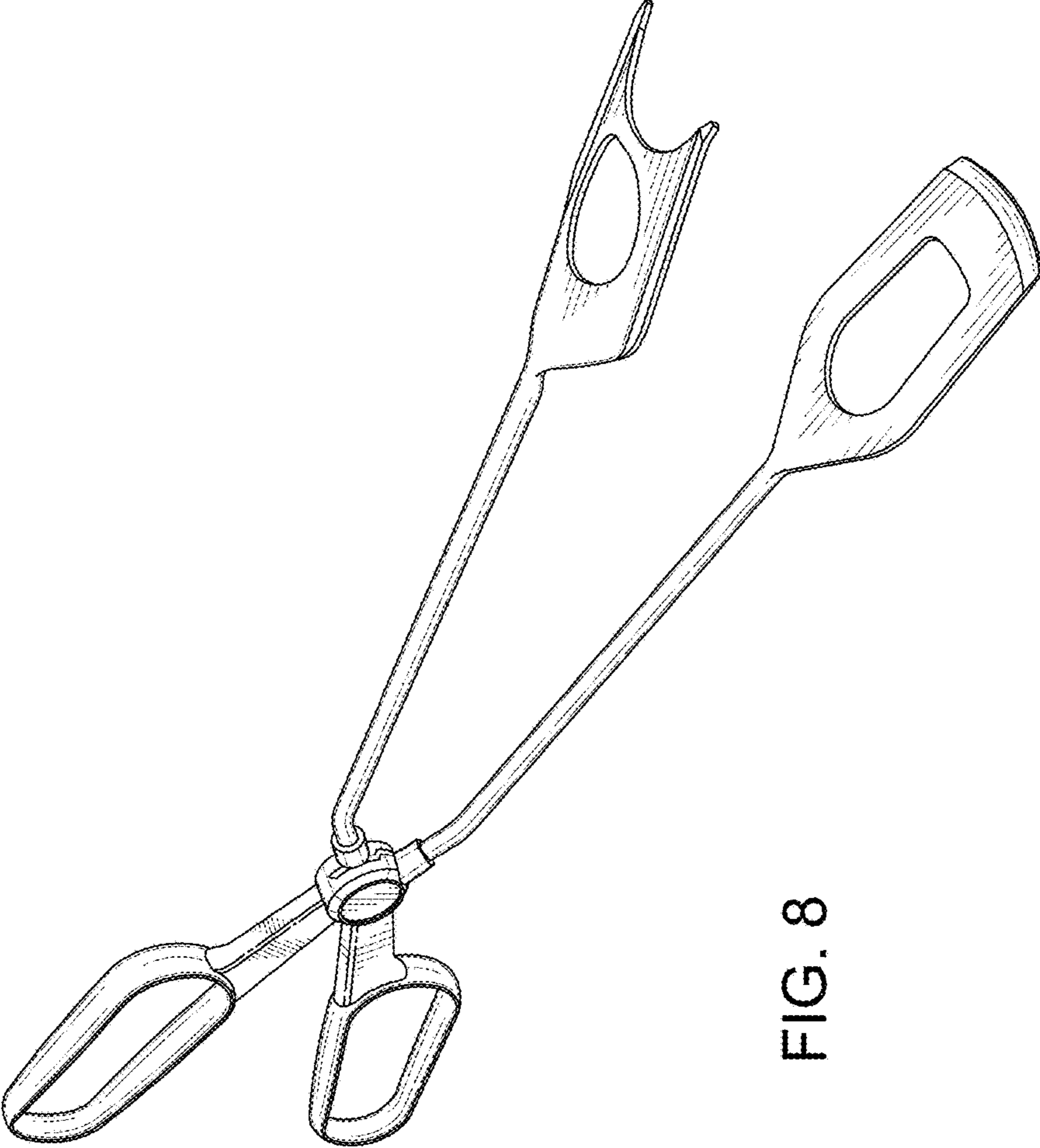


FIG. 8



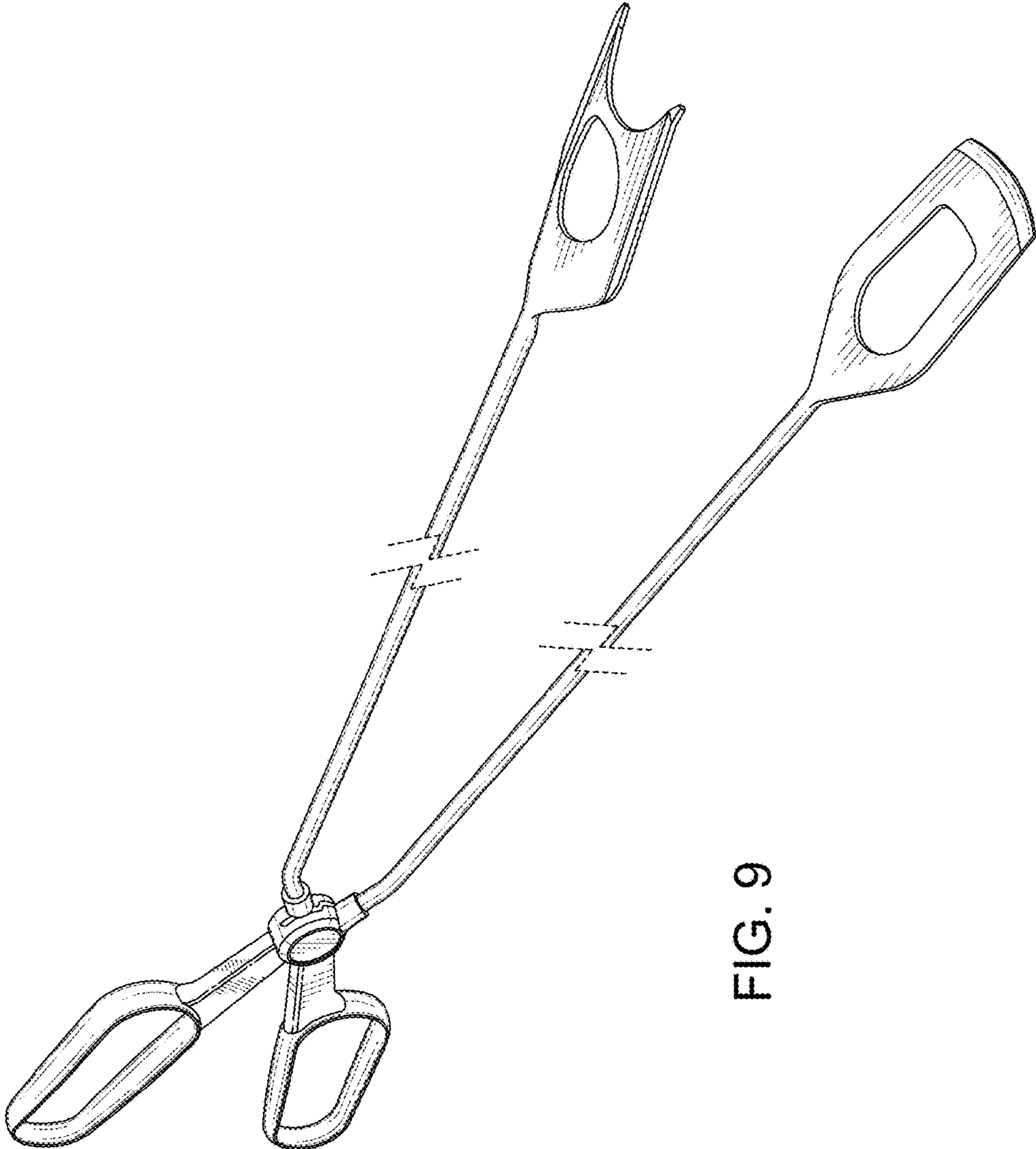


FIG. 9