



US00D855416S

(12) **United States Design Patent**  
**Klipshtein**

(10) **Patent No.:** **US D855,416 S**

(45) **Date of Patent:** **\*\* Aug. 6, 2019**

- (54) **COMBINED SPOON AND TONGS**
- (71) Applicant: **Hutzler Manufacturing Co., Inc.**,  
Canaan, CT (US)
- (72) Inventor: **Guy Klipshtein**, Givatayim (IL)
- (73) Assignee: **Hutzler Manufacturing Co., Inc.**,  
Canaan, CT (US)
- (\*\*) Term: **15 Years**
- (21) Appl. No.: **29/639,422**
- (22) Filed: **Mar. 6, 2018**
- (51) **LOC (12) Cl.** ..... **07-06**
- (52) **U.S. Cl.**  
USPC ..... **D7/686**
- (58) **Field of Classification Search**  
USPC ..... D7/680-696, 368, 669  
(Continued)

(56) **References Cited**

U.S. PATENT DOCUMENTS

- D291,763 S \* 9/1987 Dunn ..... D7/687
  - D531,463 S \* 11/2006 Jarvis ..... D7/686
- (Continued)

*Primary Examiner* — Terry A Wallace

(74) *Attorney, Agent, or Firm* — Patent Technologies,  
LLC; Robert Dale Gunderman

(57) **CLAIM**

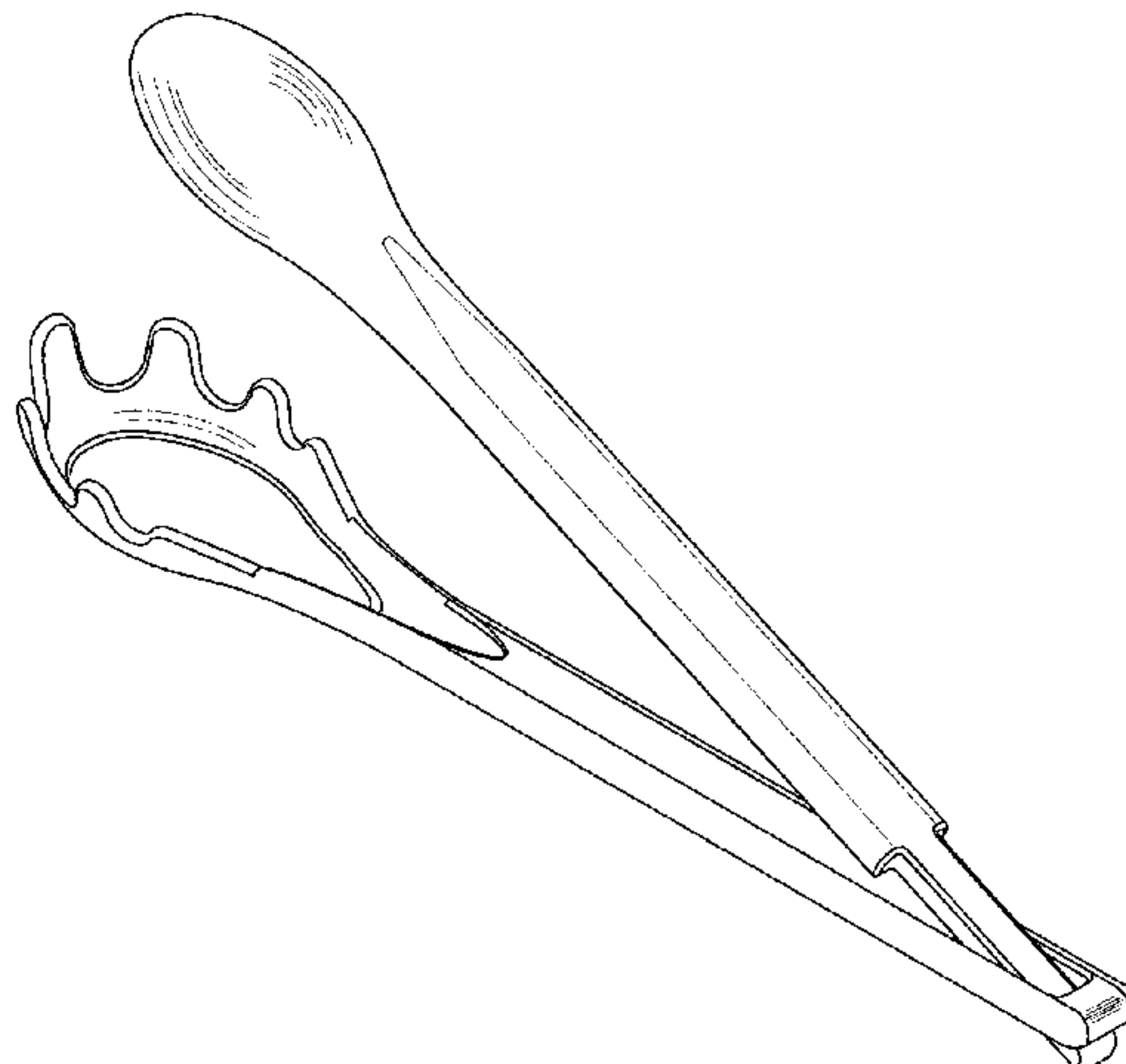
The ornamental design for a combined spoon and tongs, as shown and described.

**DESCRIPTION**

FIG. 1 is a top perspective view of a combined spoon and tongs showing my new design;  
FIG. 2 is a bottom perspective view of the combined spoon and tongs of FIG. 1;

FIG. 3 is a top plan view of the combined spoon and tongs of FIG. 1;  
 FIG. 4 is a bottom plan view of the combined spoon and tongs of FIG. 1;  
 FIG. 5 is a side plan view of the combined spoon and tongs of FIG. 1;  
 FIG. 6 is an alternate side plan view of the combined spoon and tongs of FIG. 1;  
 FIG. 7 is an end plan view of the combined spoon and tongs of FIG. 1;  
 FIG. 8 is an alternate end plan view of the combined spoon and tongs of FIG. 1;  
 FIG. 9 is a top perspective view of the combined spoon and tongs of FIG. 1 in a separated position;  
 FIG. 10 is a bottom perspective view of the combined spoon and tongs of FIG. 1 in a separated position;  
 FIG. 11 is a top plan view of the combined spoon and tongs of FIG. 1 in a separated position;  
 FIG. 12 is a bottom plan view of the combined spoon and tongs of FIG. 1 in a separated position;  
 FIG. 13 is a side plan view of the combined spoon and tongs of FIG. 1 in a separated position;  
 FIG. 14 is an alternate side plan view of the combined spoon and tongs of FIG. 1 in a separated position;  
 FIG. 15 is an end plan view of the combined spoon and tongs of FIG. 1 in a separated position;  
 FIG. 16 is an alternate end plan view of the combined spoon and tongs of FIG. 1 in a separated position;  
 FIG. 17 is a top perspective view of the combined spoon and tongs of FIG. 1 in a hinged position;  
 FIG. 18 is a bottom perspective view of the combined spoon and tongs of FIG. 1 in a hinged position;  
 FIG. 19 is a top plan view of the combined spoon and tongs of FIG. 1 in a hinged position;  
 FIG. 20 is a bottom plan view of the combined spoon and tongs of FIG. 1 in a hinged position;  
 FIG. 21 is a side plan view of the combined spoon and tongs of FIG. 1 in a hinged position;  
 FIG. 22 is an alternate side plan view of the combined spoon and tongs of FIG. 1 in a hinged position;  
 FIG. 23 is an end plan view of the combined spoon and tongs of FIG. 1 in a hinged position; and,  
 FIG. 24 is an alternate end plan view of the combined spoon and tongs of FIG. 1 in a hinged position.

(Continued)



Any broken line illustration of environmental structure in the drawings is for illustrative purposes only and forms no part of the claimed design.

**1 Claim, 16 Drawing Sheets**

(58) **Field of Classification Search**

CPC ..... A47J 43/283; A47G 21/10; A47G 21/02;  
A47G 43/28; A61J 7/0023; B25J  
11/0045; B25J 1/02; B25J 1/06

See application file for complete search history.

(56) **References Cited**

U.S. PATENT DOCUMENTS

D664,816 S *	8/2012	Difante .....	D7/686
D712,709 S *	9/2014	Pau .....	D7/686
D763,630 S *	8/2016	Cook .....	D7/645

\* cited by examiner

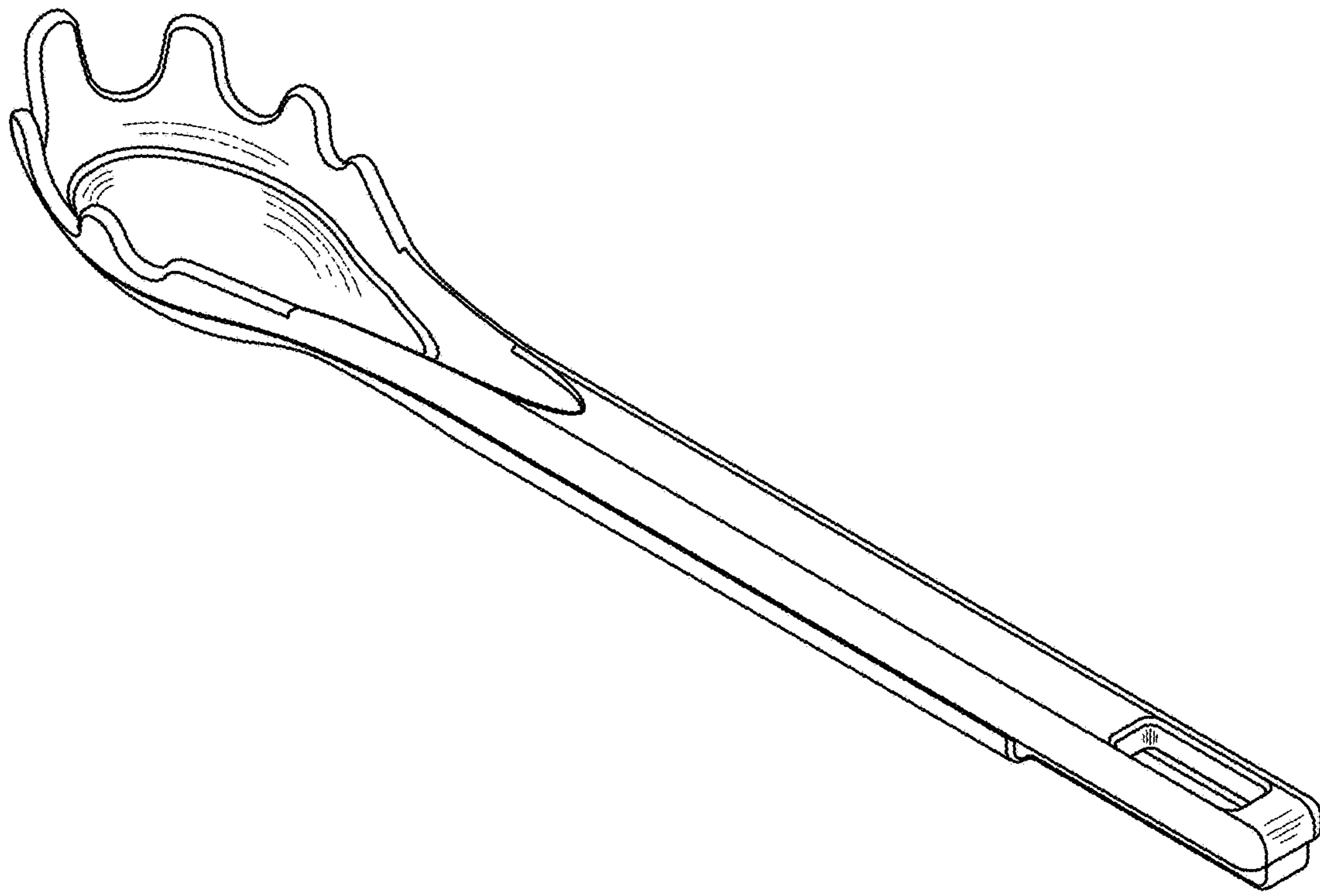


Fig. 1

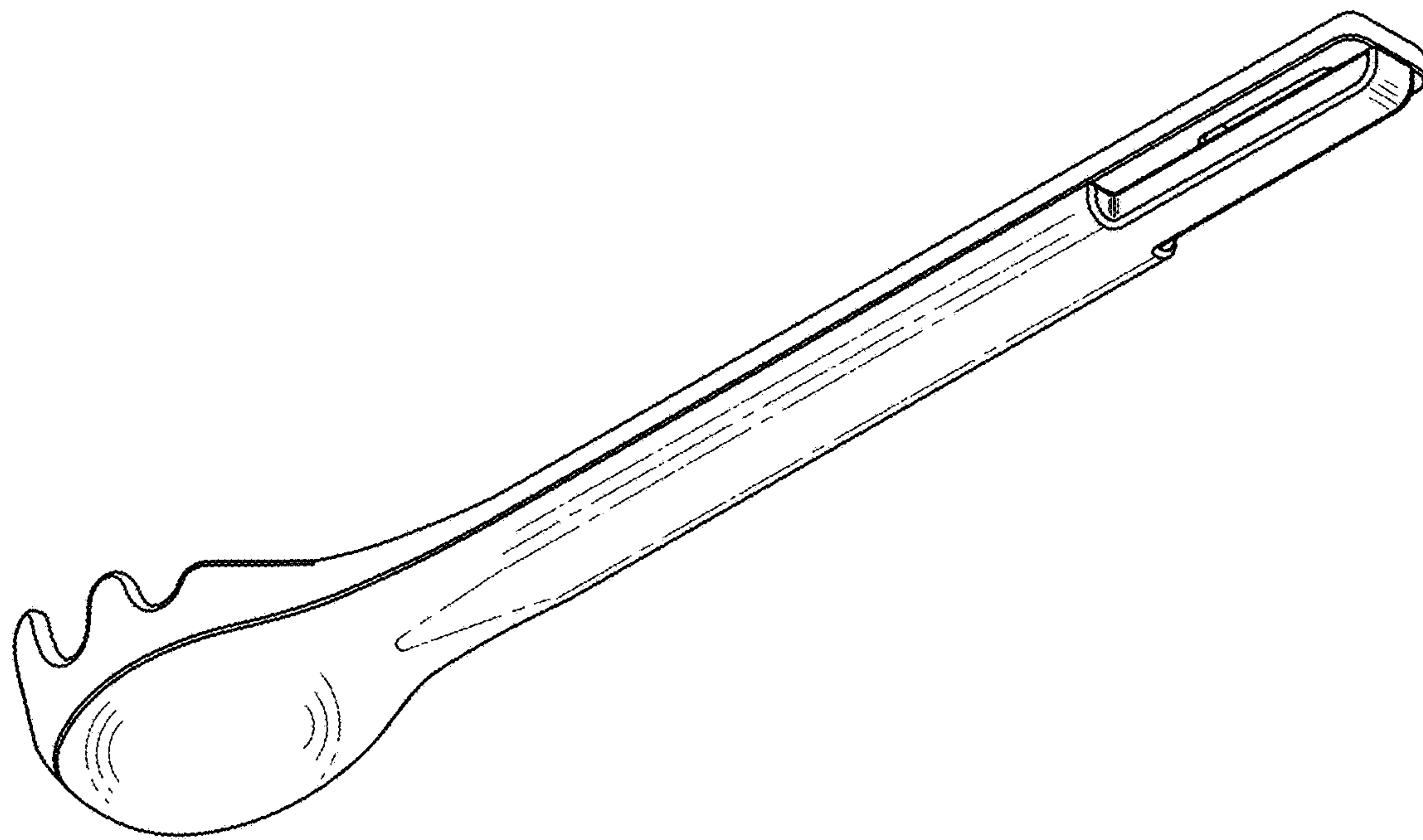


Fig. 2

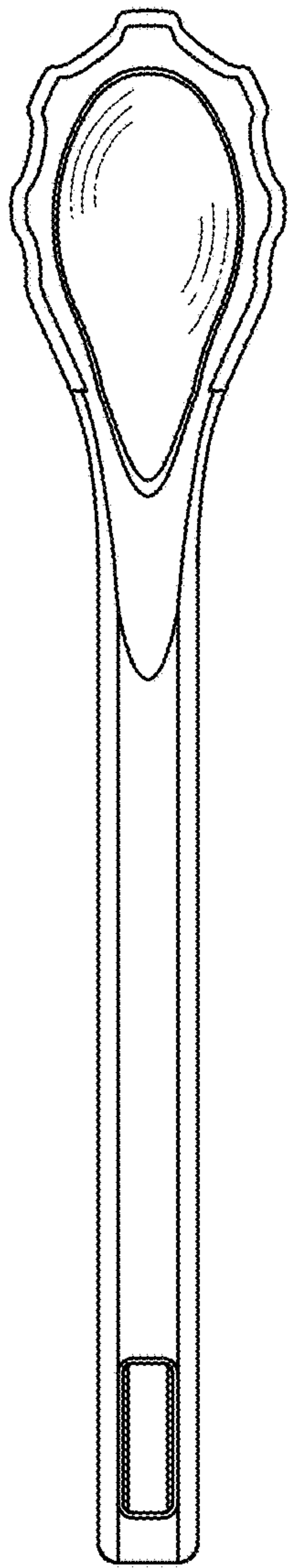


Fig. 3

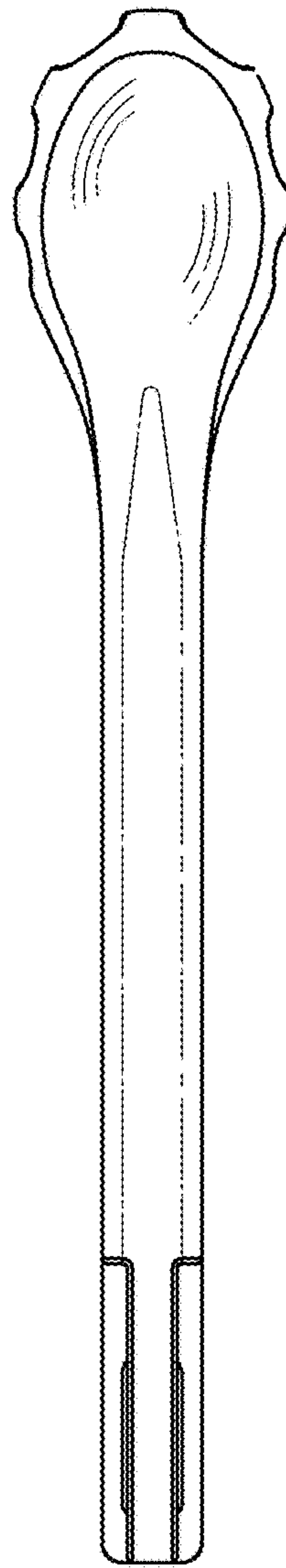


Fig. 4

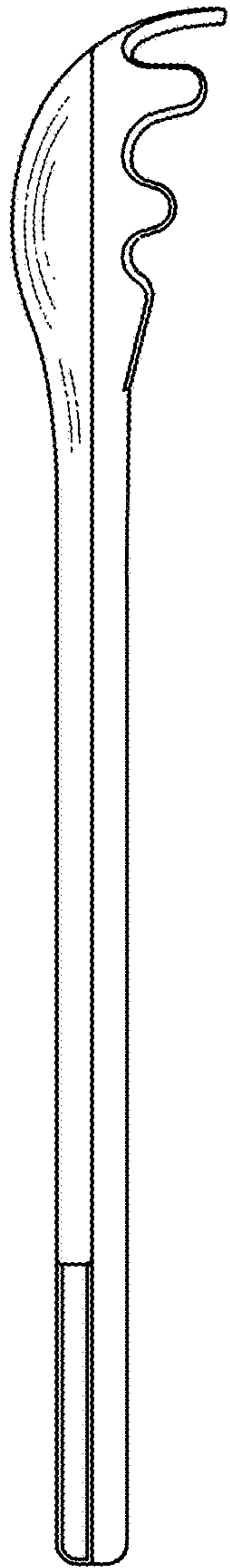


Fig. 5

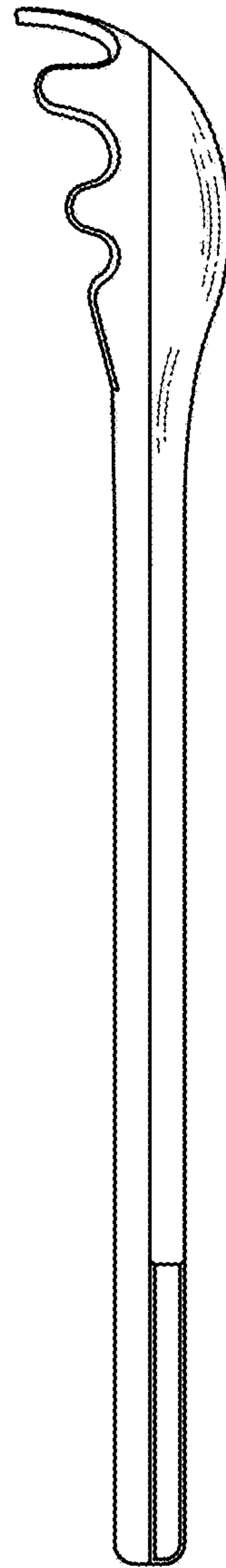


Fig. 6



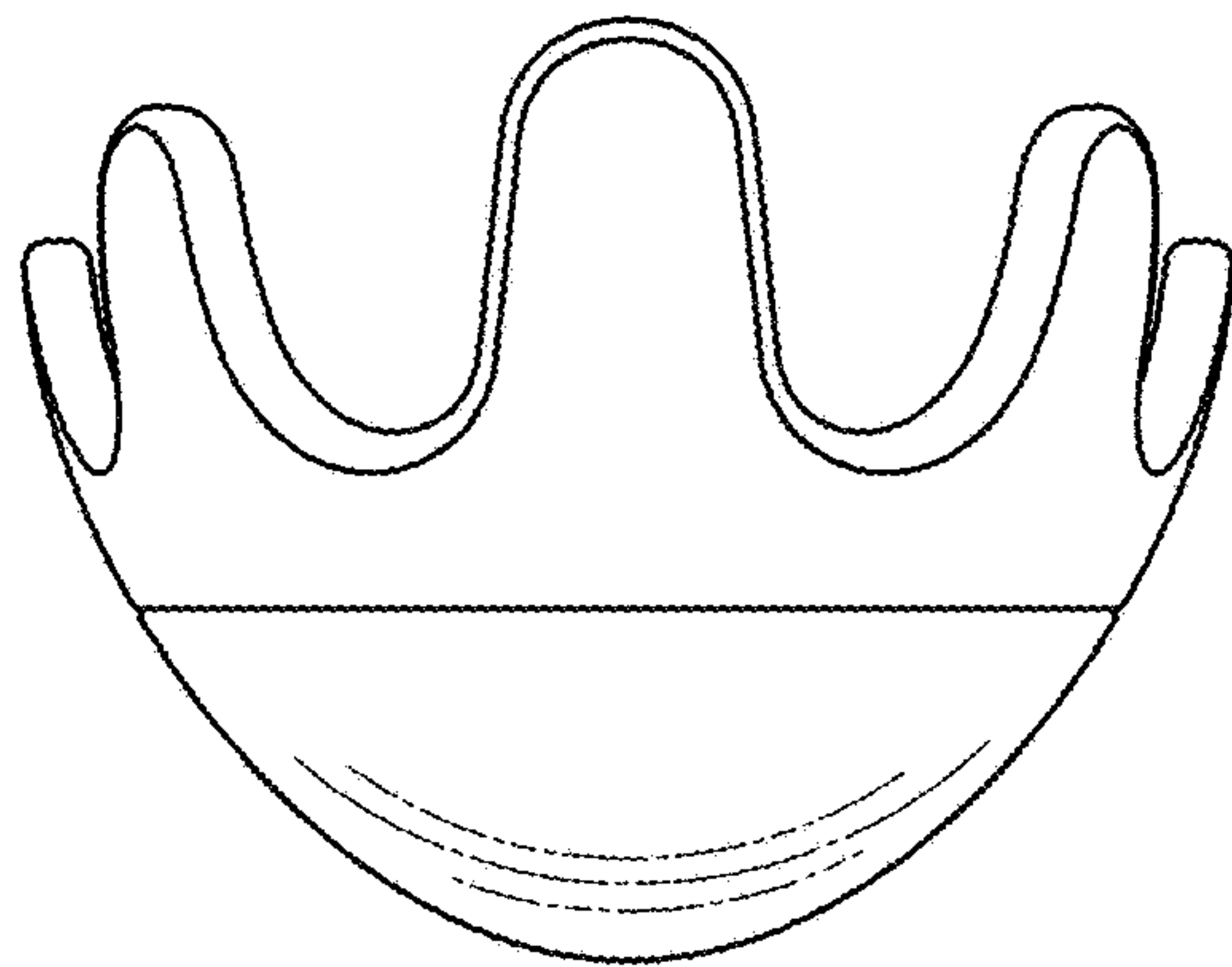


Fig. 7

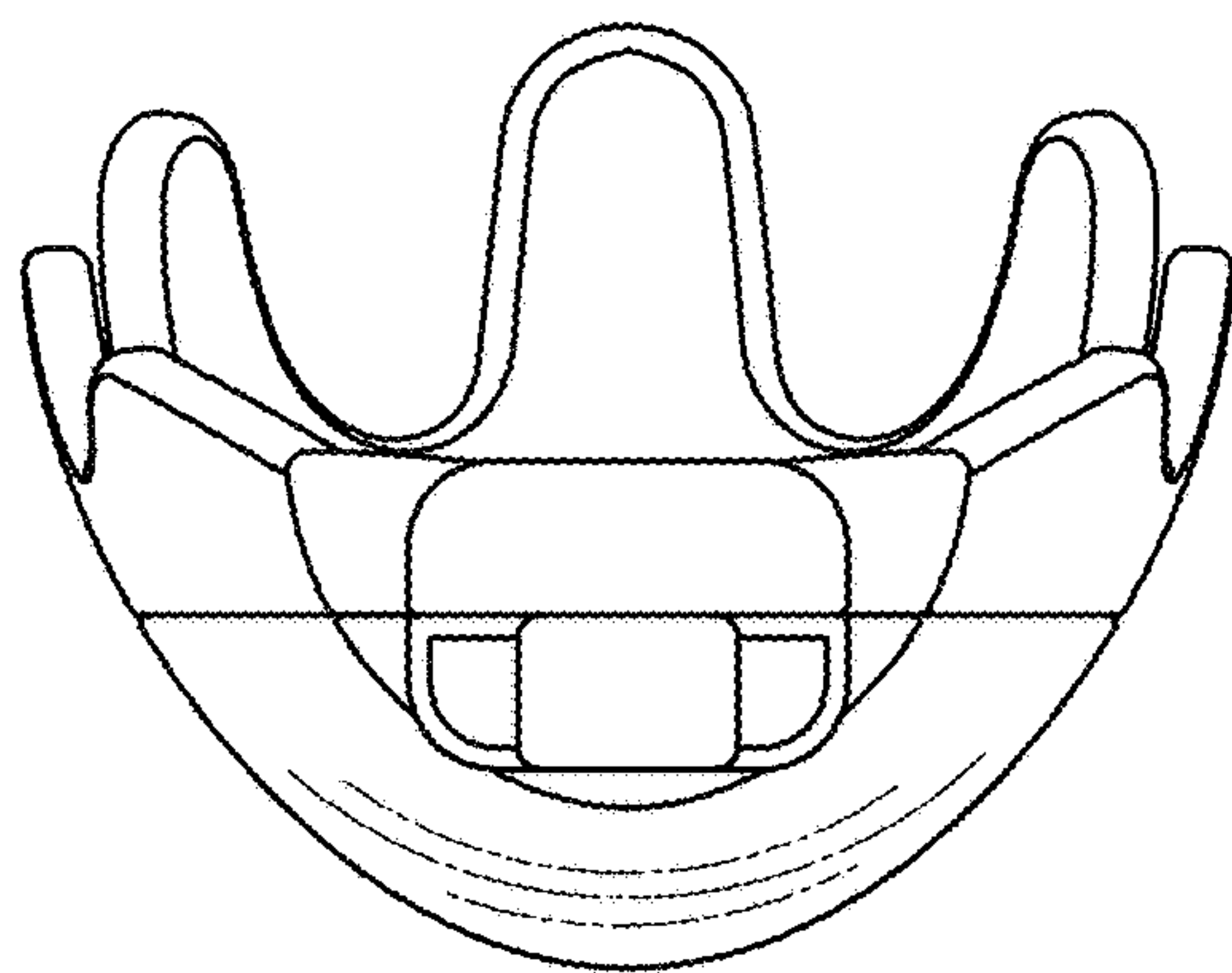


Fig. 8

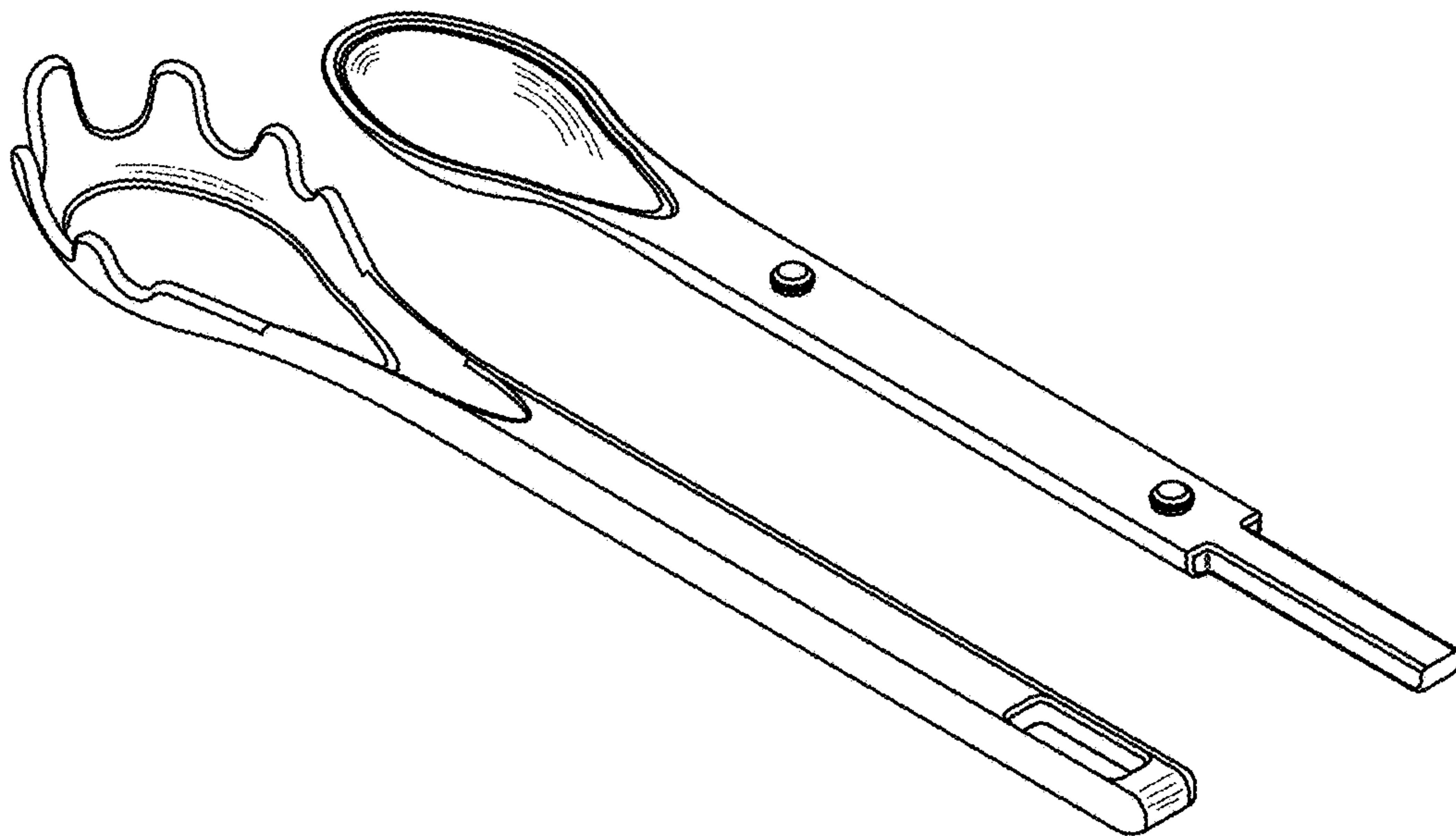


Fig. 9



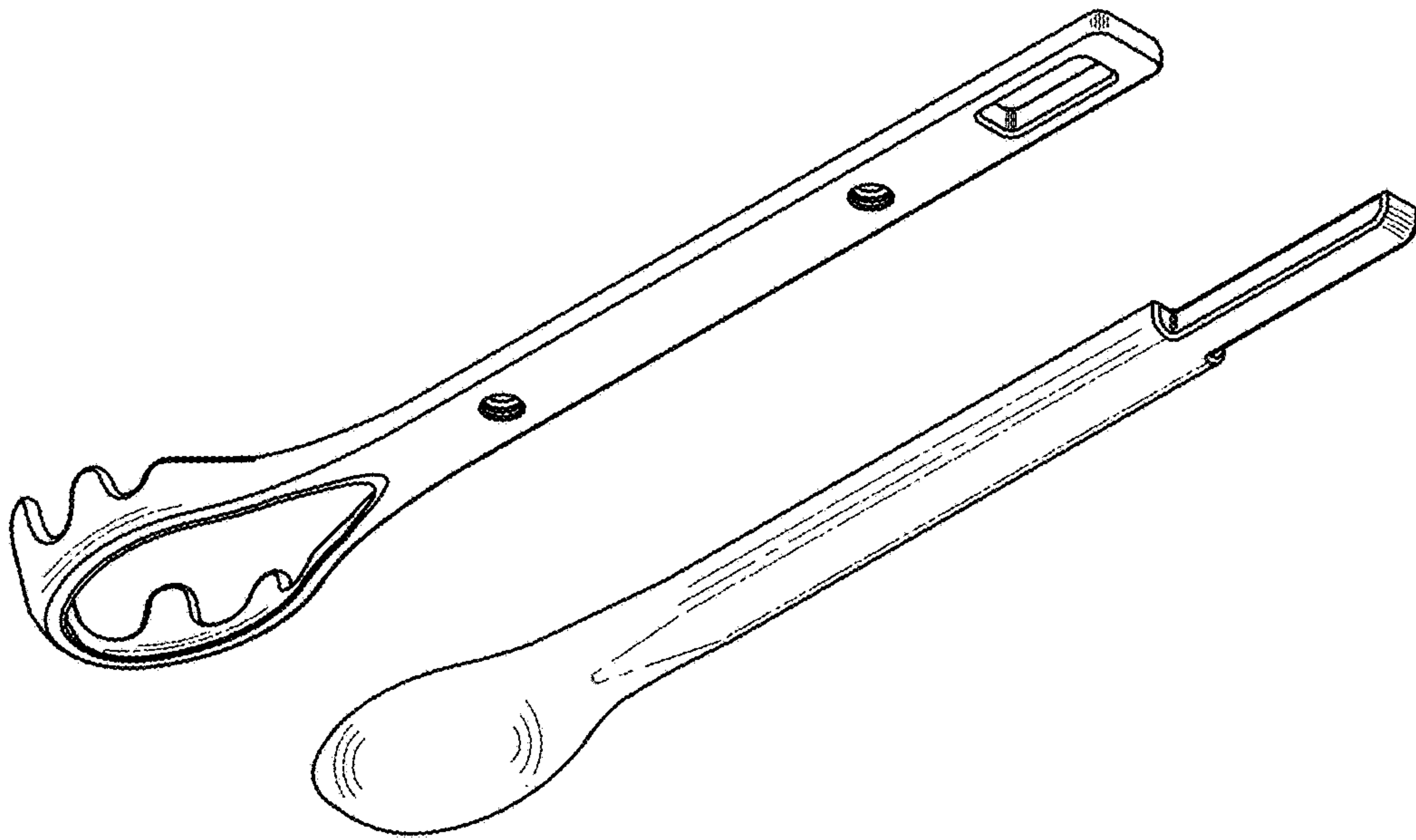


Fig. 10

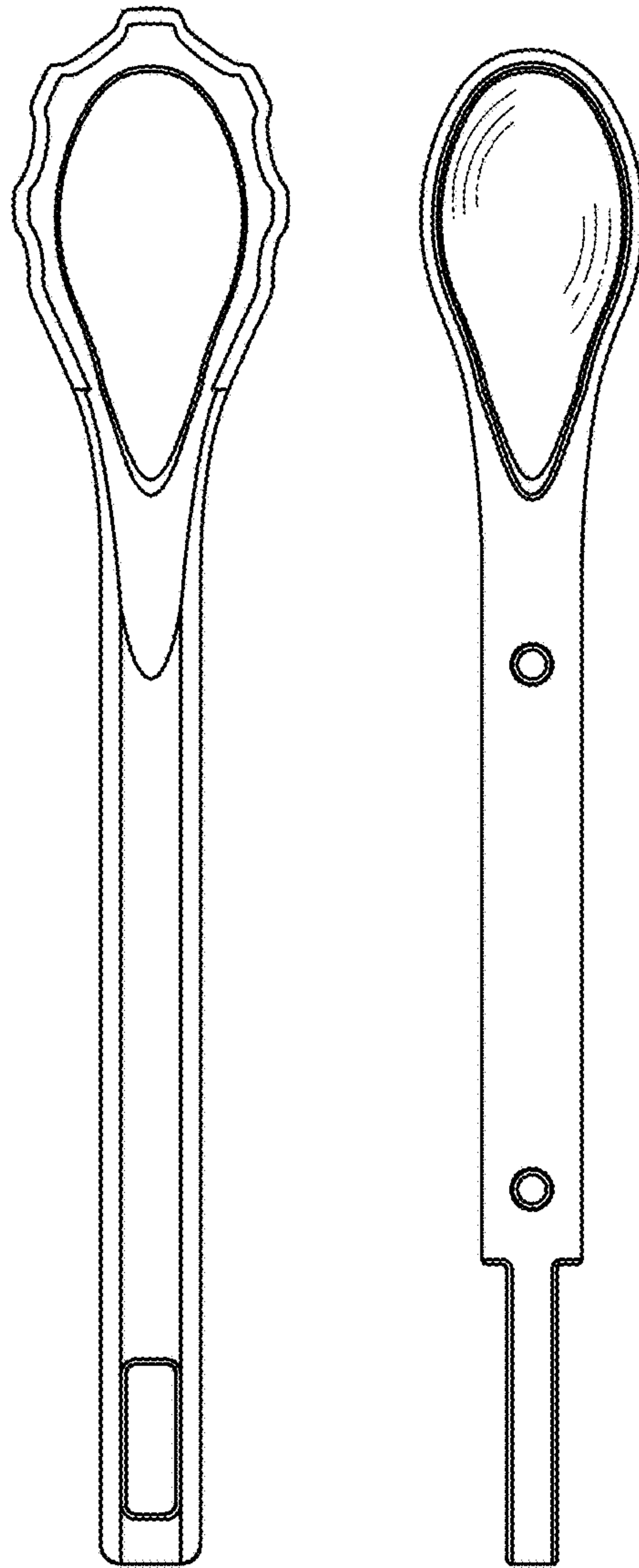


Fig. 11

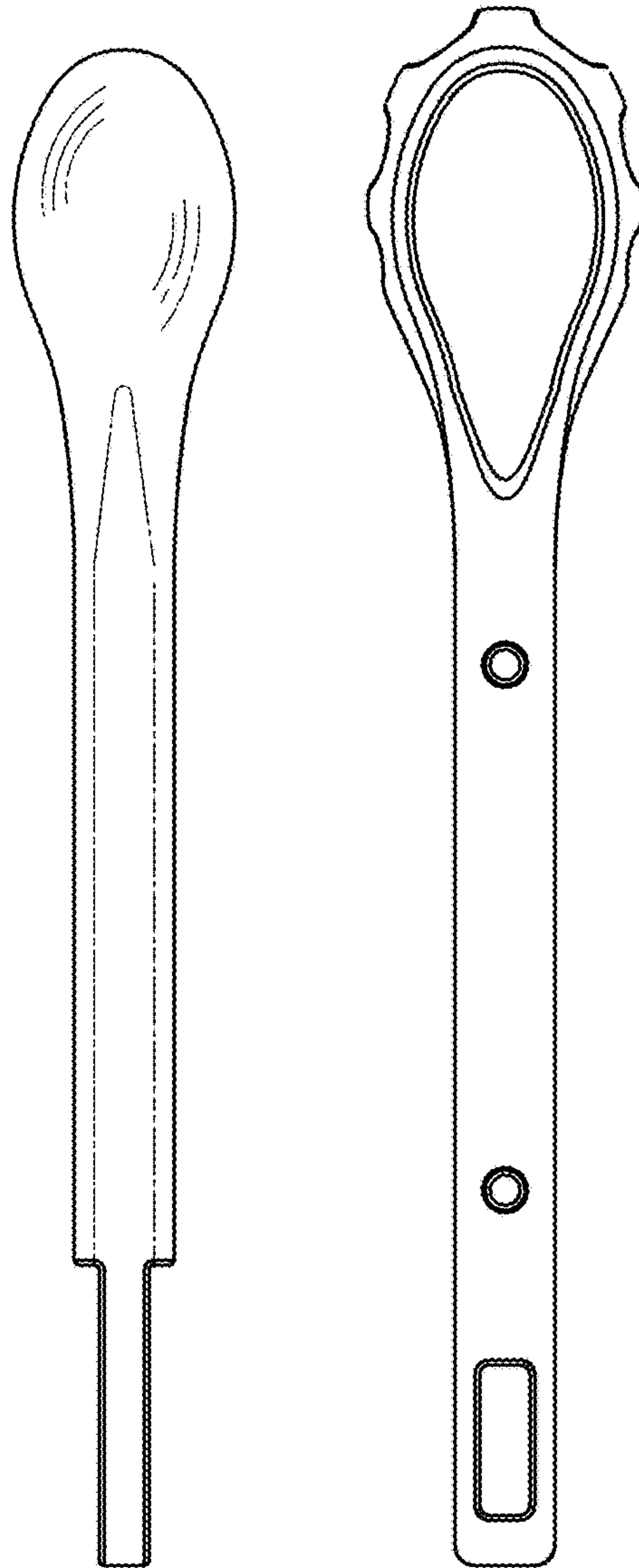


Fig. 12

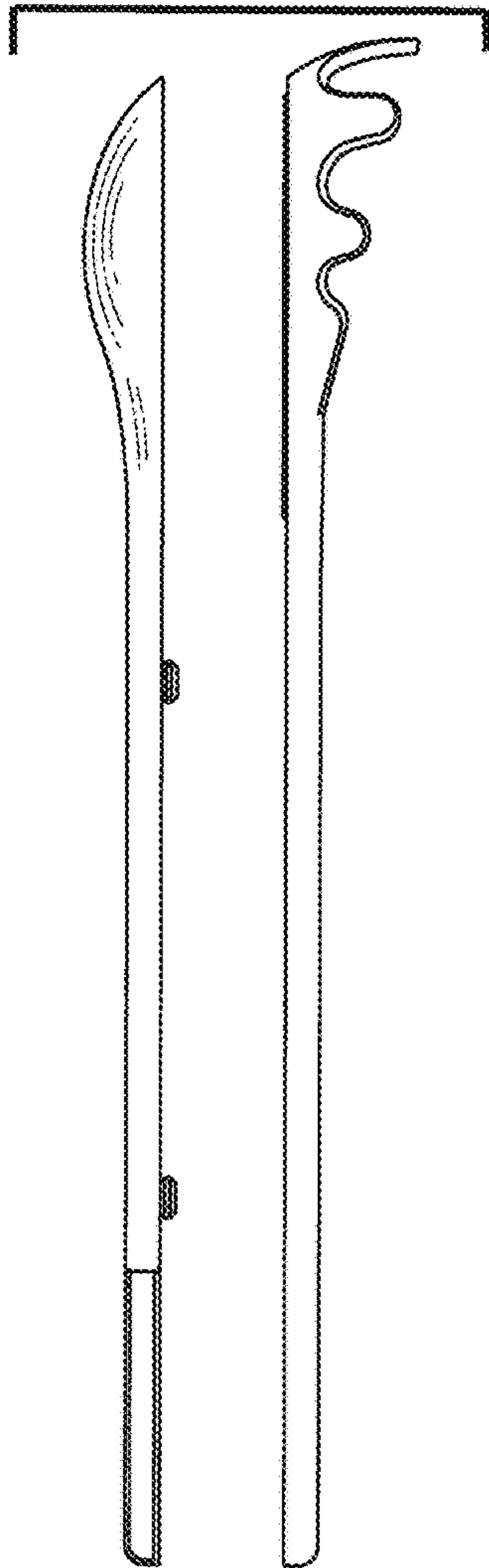


Fig. 13

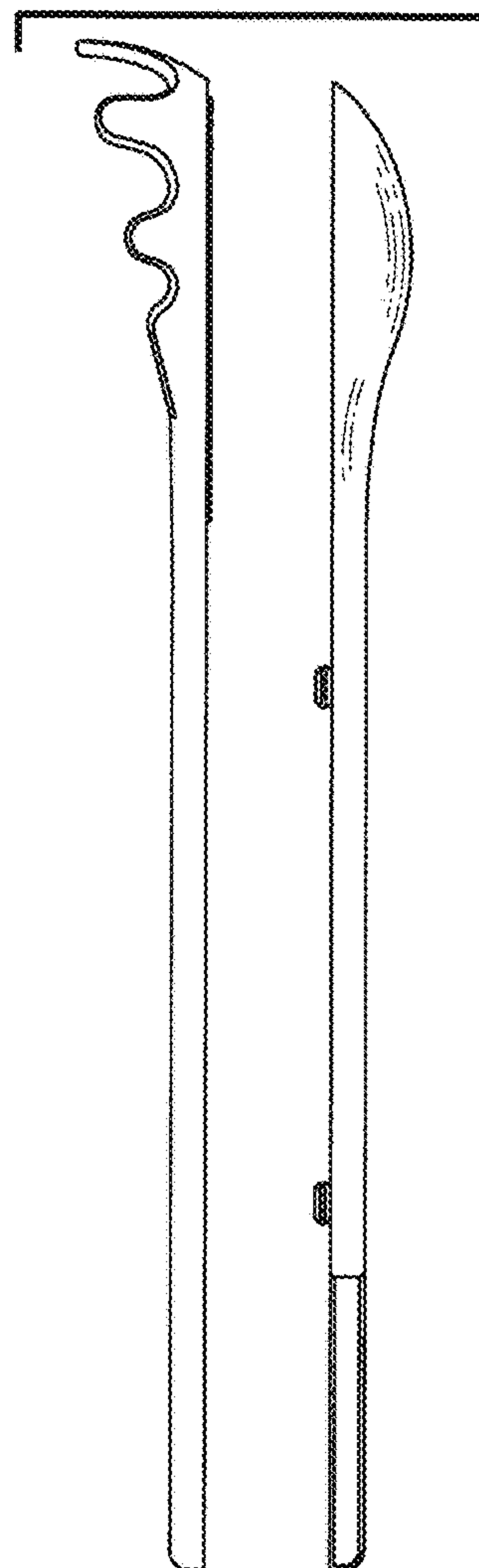


Fig. 14

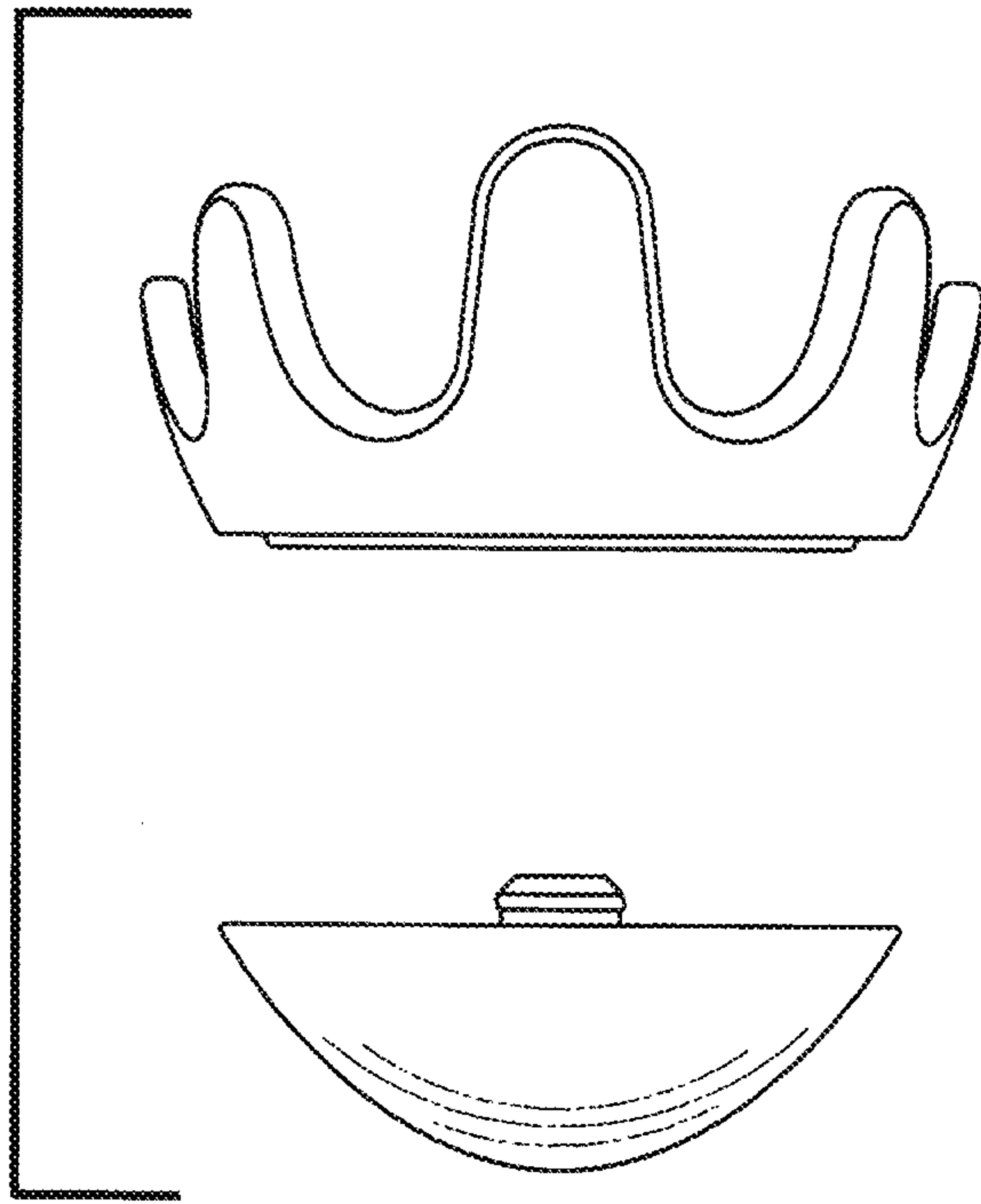


Fig. 15

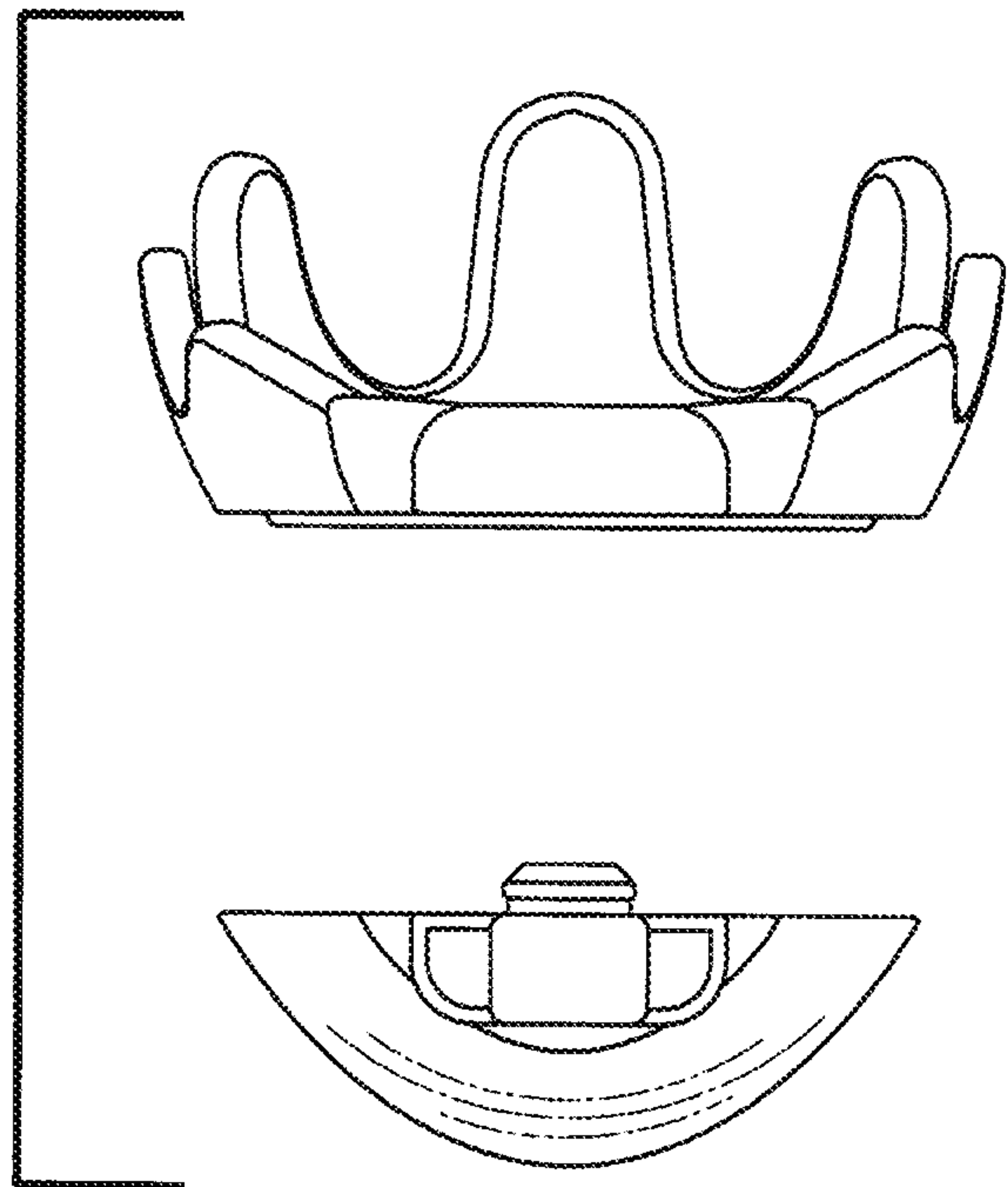


Fig. 16

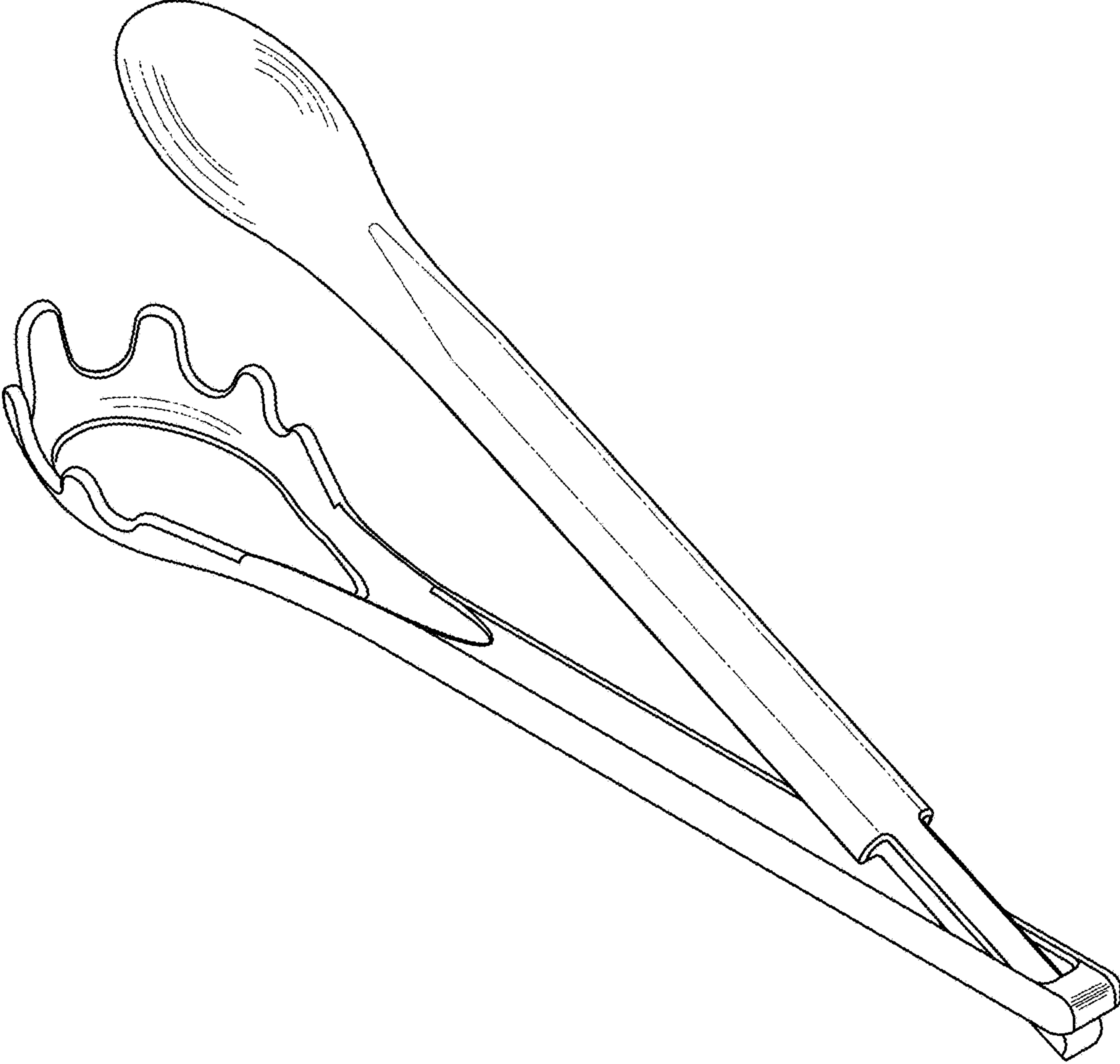


Fig. 17



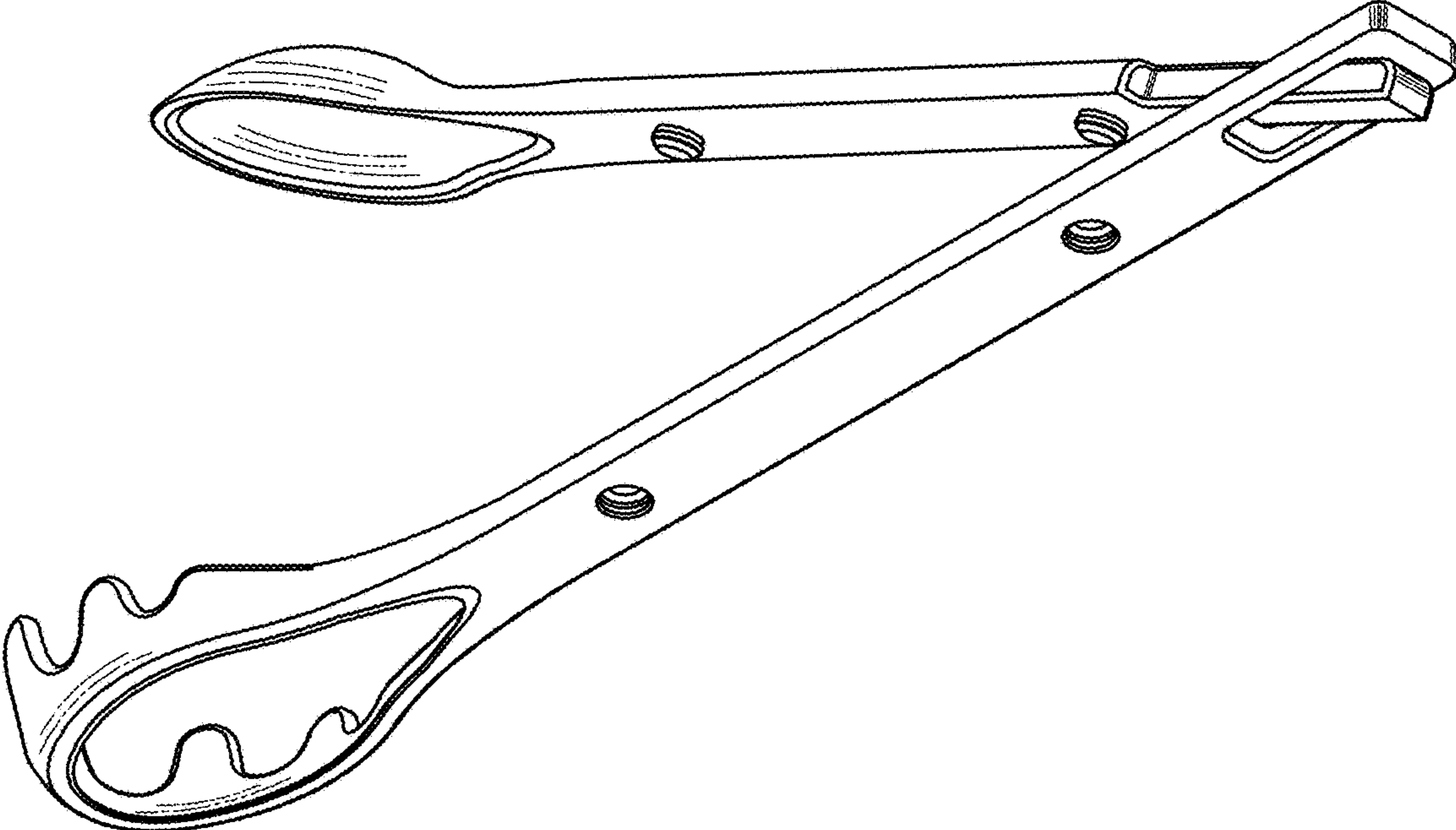


Fig. 18

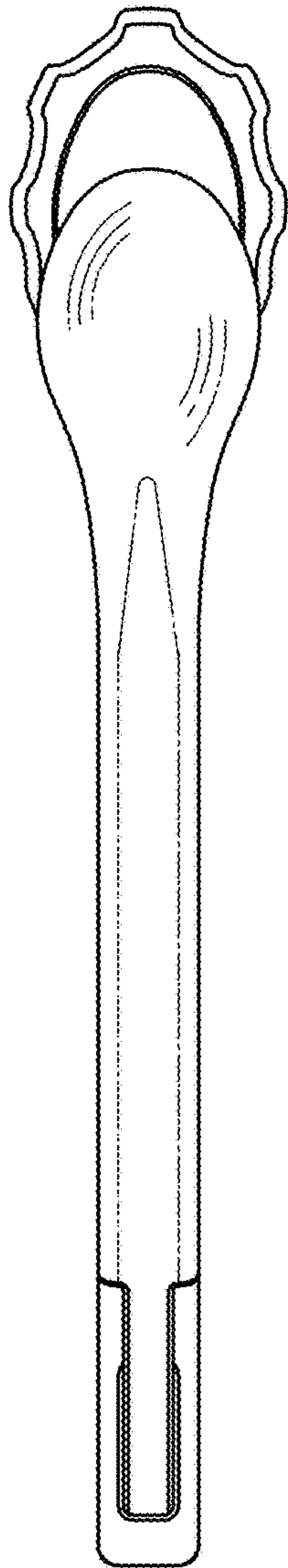


Fig. 19

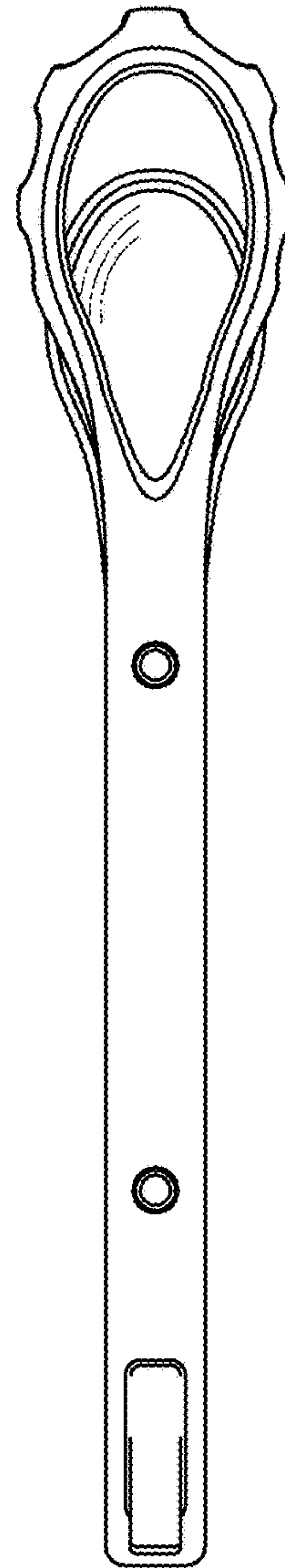


Fig. 20

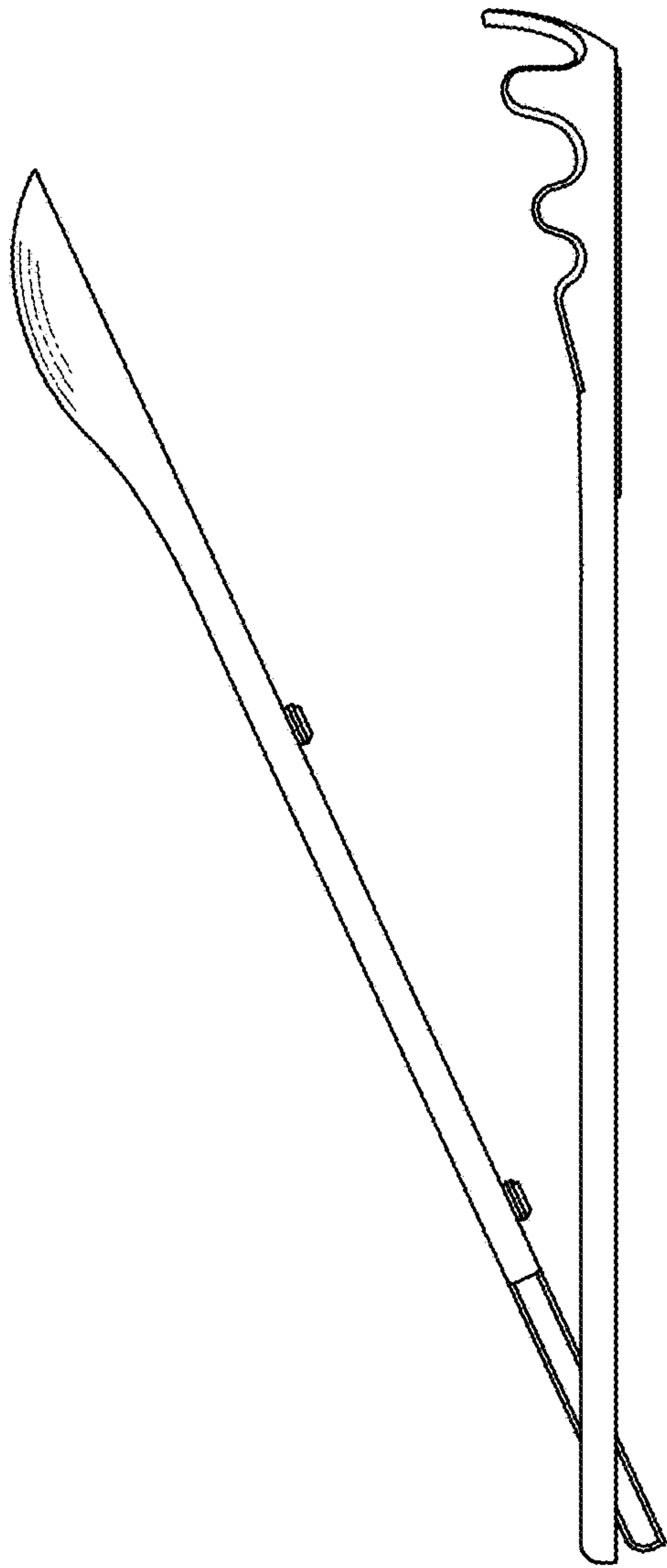


Fig. 21

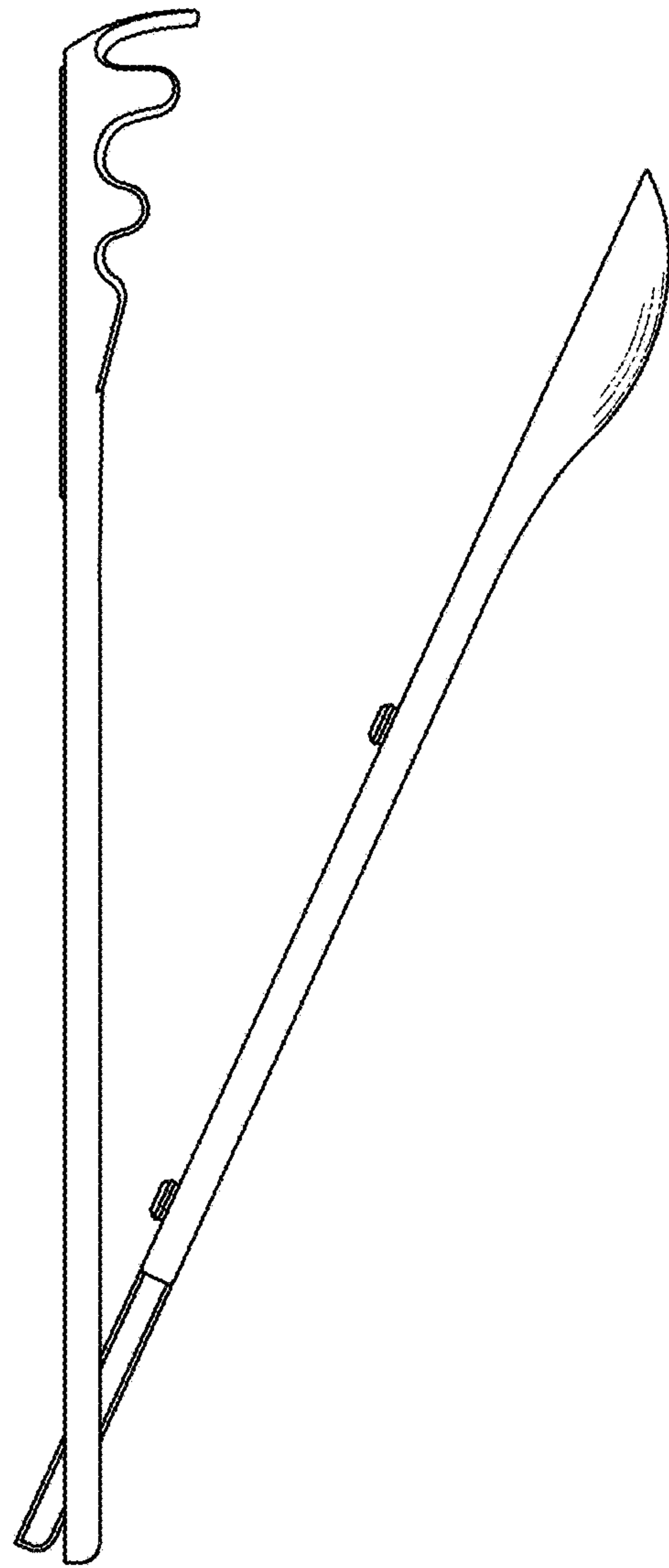


Fig. 22

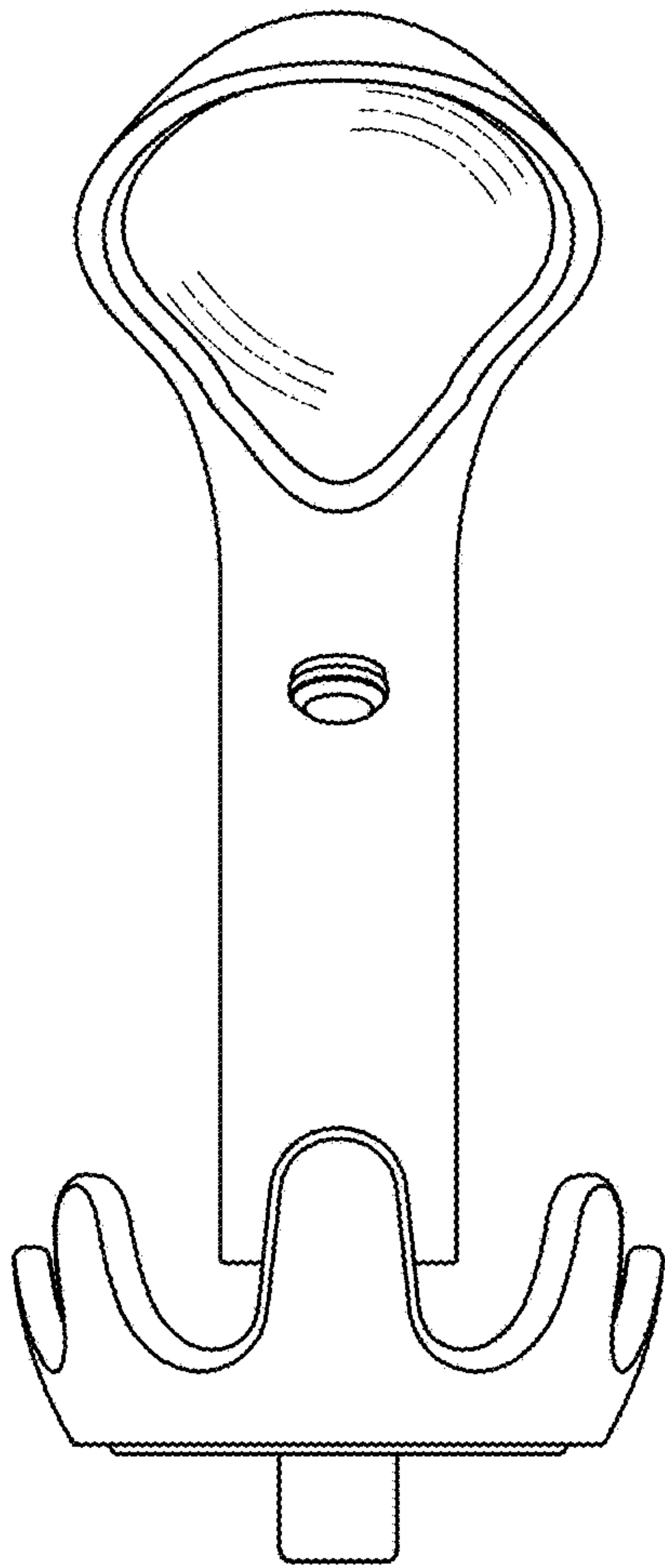


Fig. 23

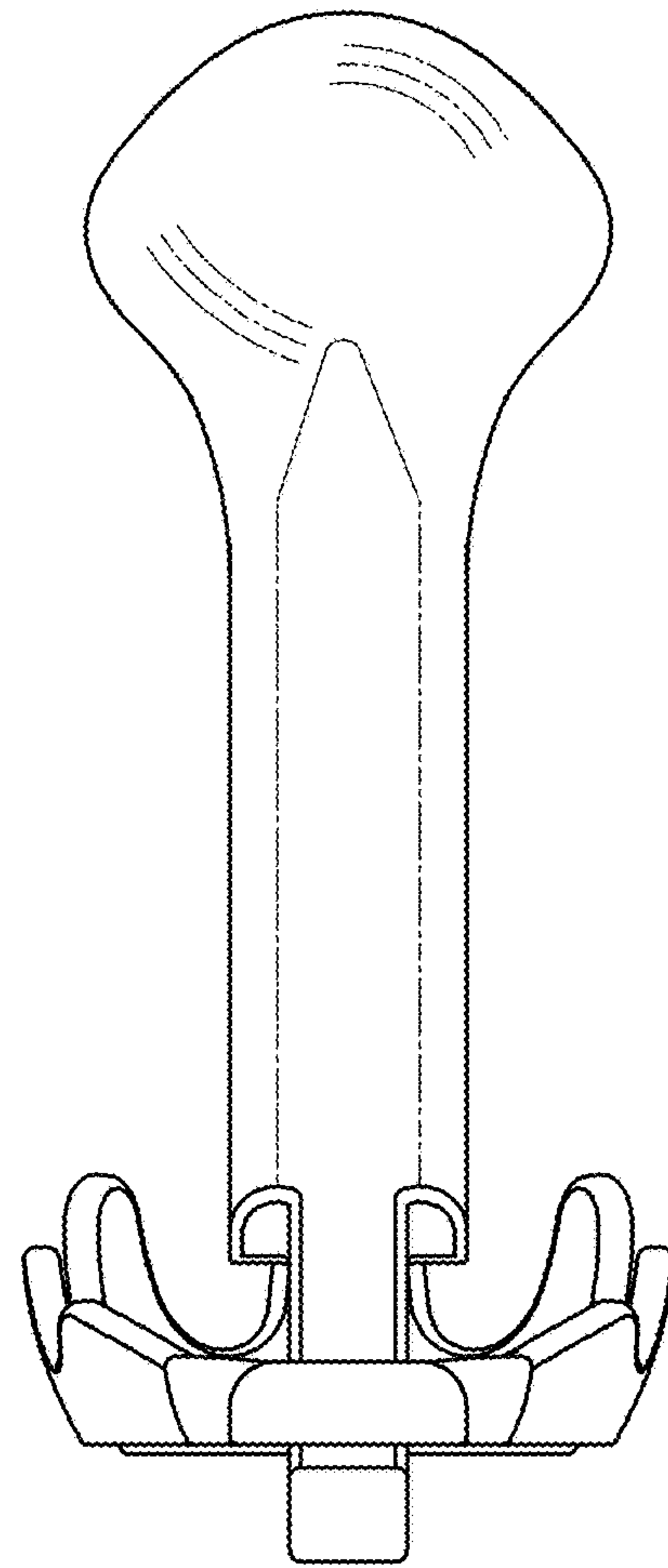


Fig. 24