



US00D855415S

(12) **United States Design Patent** (10) **Patent No.:** **US D855,415 S**
Hundley et al. (45) **Date of Patent:** **** Aug. 6, 2019**

(54) **SERVING UTENSIL**
(71) Applicant: **The Vollrath Company, L.L.C.**,
Sheboygan, WI (US)
(72) Inventors: **Jill E. Hundley**, Sheboygan, WI (US);
Tyler J. Erickson, Plymouth, WI (US);
Mark V. LeGreve, Two Rivers, WI
(US); **Rebecca J. Schreiber-Pethan**,
Sheboygan, WI (US)

D536,222 S 2/2007 Heiberg et al.
D686,467 S * 7/2013 Barnett D7/401.2
D700,811 S 3/2014 Lin
D705,604 S 5/2014 Ng
D717,111 S * 11/2014 Wang D7/401.2
D717,112 S * 11/2014 Wang D7/401.2
D719,789 S * 12/2014 Truog A47G 21/06
D7/644
D730,701 S 6/2015 Ng
D735,529 S * 8/2015 Bell D7/401.2
D809,349 S 2/2018 Hundley et al.

* cited by examiner

(73) Assignee: **THE VOLLRATH COMPANY,**
L.L.C., Sheboygan, WI (US)

Primary Examiner — Terry A Wallace

(**) Term: **15 Years**

(74) *Attorney, Agent, or Firm* — Foley & Lardner LLP

(21) Appl. No.: **29/637,901**

(57) **CLAIM**

(22) Filed: **Feb. 22, 2018**

We claim the ornamental design for serving utensil, as shown and described.

(51) **LOC (12) Cl.** **07-06**

DESCRIPTION

(52) **U.S. Cl.**

USPC **D7/686**

(58) **Field of Classification Search**

USPC D7/683–687, 368, 669, 401.2

CPC A21C 15/00; A47J 43/283; A47J 43/28;

A47J 43/288; A47J 37/0786; A47G

21/02; A47G 21/06; A47G 21/00; A47G

21/10; A47G 21/103; A47G 21/106

See application file for complete search history.

FIG. 1 is a top, front, left perspective view of an embodiment of the claimed design;

FIG. 2 is a front view thereof;

FIG. 3 is a rear view thereof;

FIG. 4 is a top view thereof;

FIG. 5 is a bottom view thereof;

FIG. 6 is a left side view thereof; and,

FIG. 7 is a right side view thereof.

The ornamental design which is claimed is shown in solid lines in the drawings. The broken lines in the drawings are for illustrative purposes only and form no part of the claimed design. Broken lines formed by equal length dashes show unclaimed portions of the design. Broken lines formed of unequal length dashes (i.e., dash-dot) show boundaries between claimed and unclaimed portions of the design.

(56) **References Cited**

U.S. PATENT DOCUMENTS

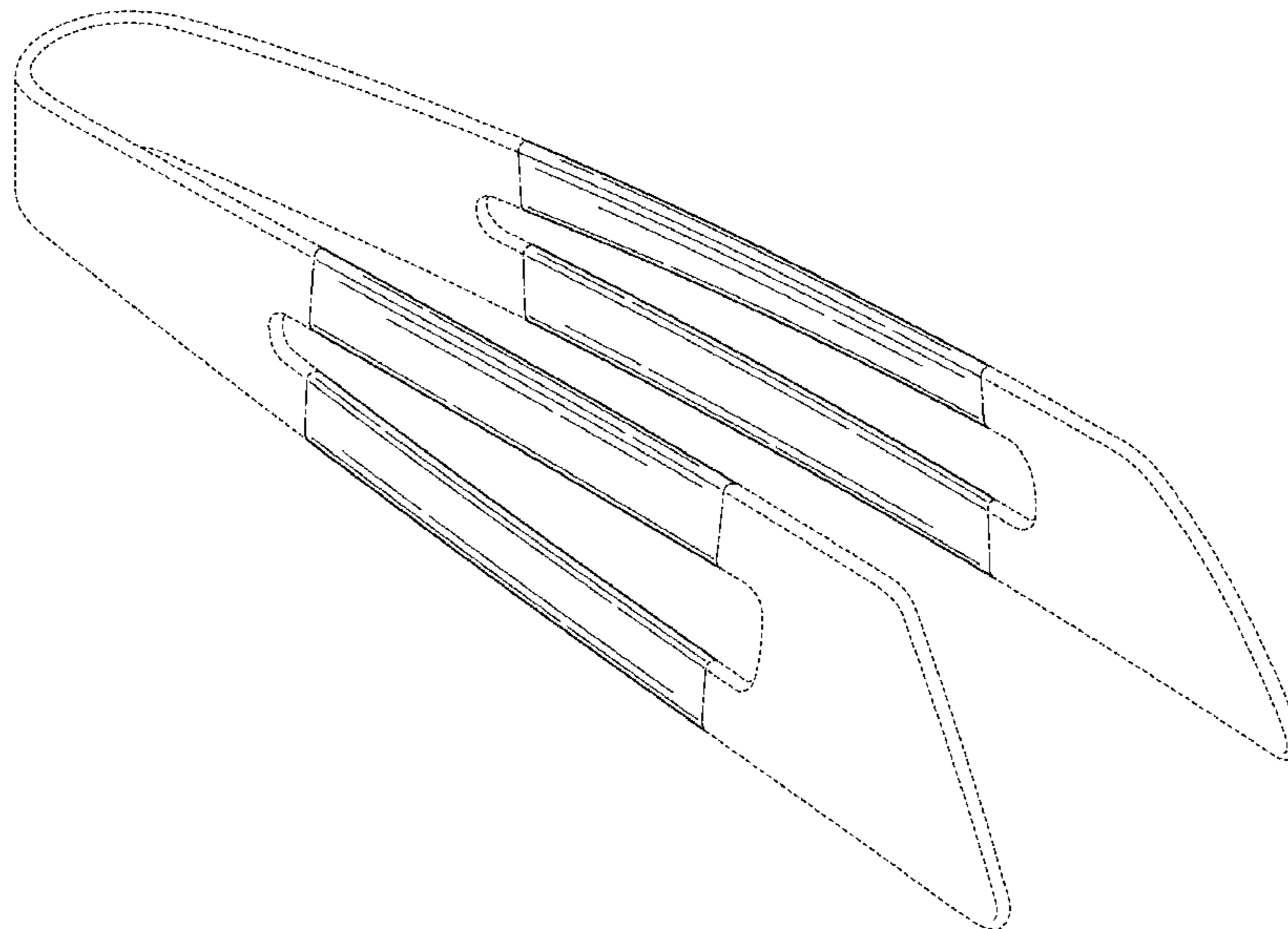
4,126,962 A * 11/1978 Polcaro A01G 7/06
15/210.1

D317,106 S * 5/1991 Kosurko D7/686

D406,734 S 3/1999 Doherty et al.

D474,079 S 5/2003 Hanners et al.

1 Claim, 6 Drawing Sheets



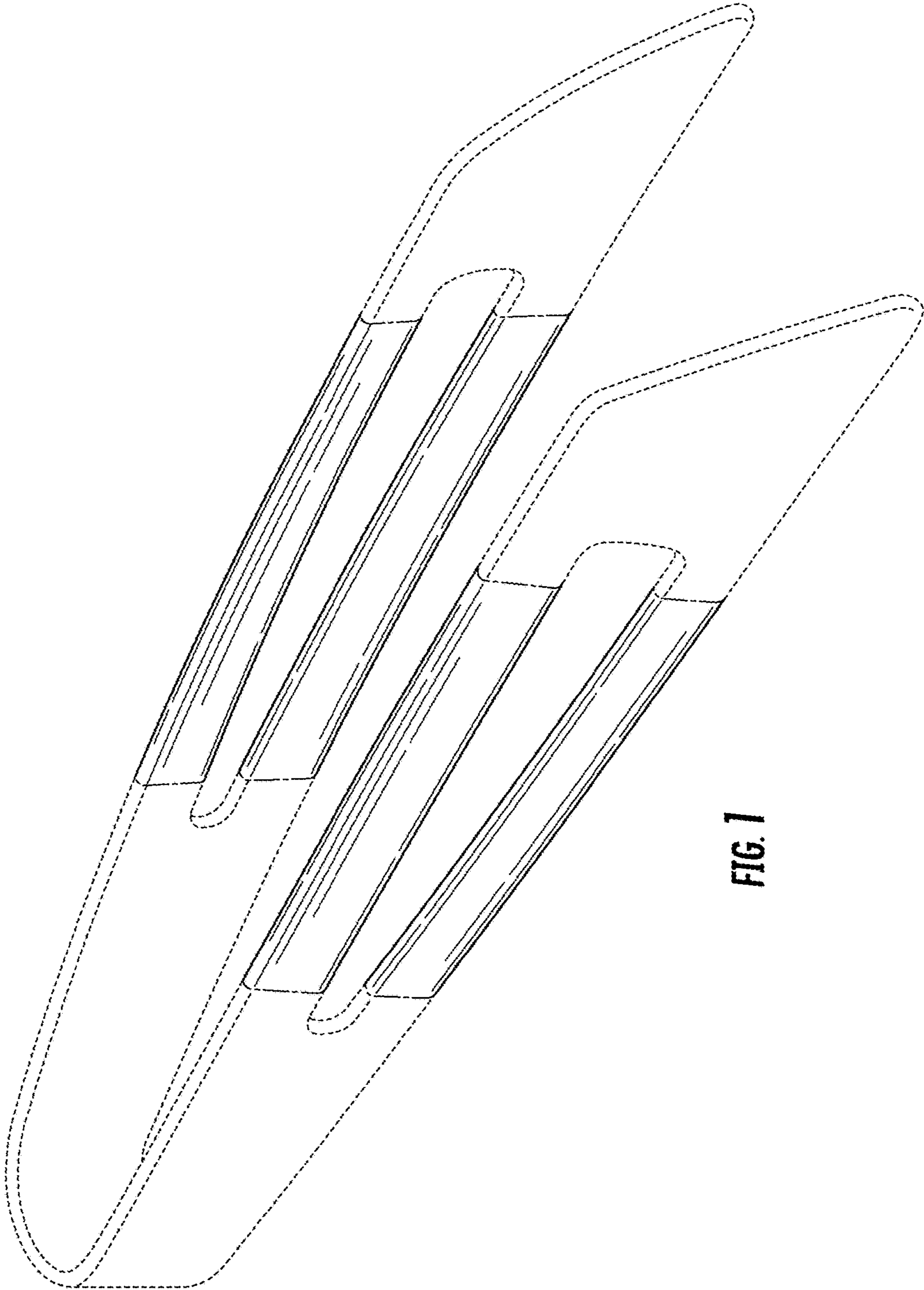


FIG. 1

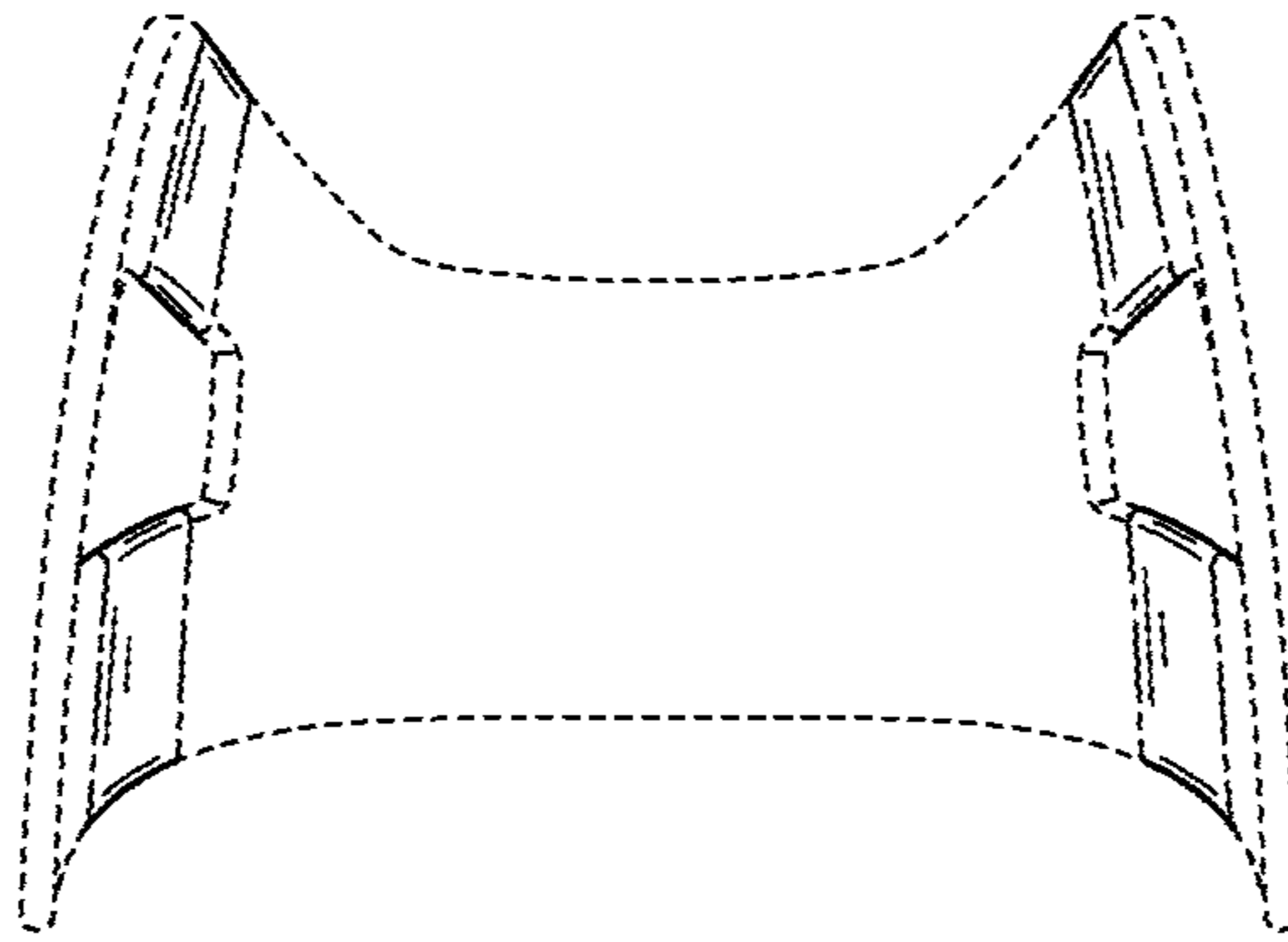


FIG. 2

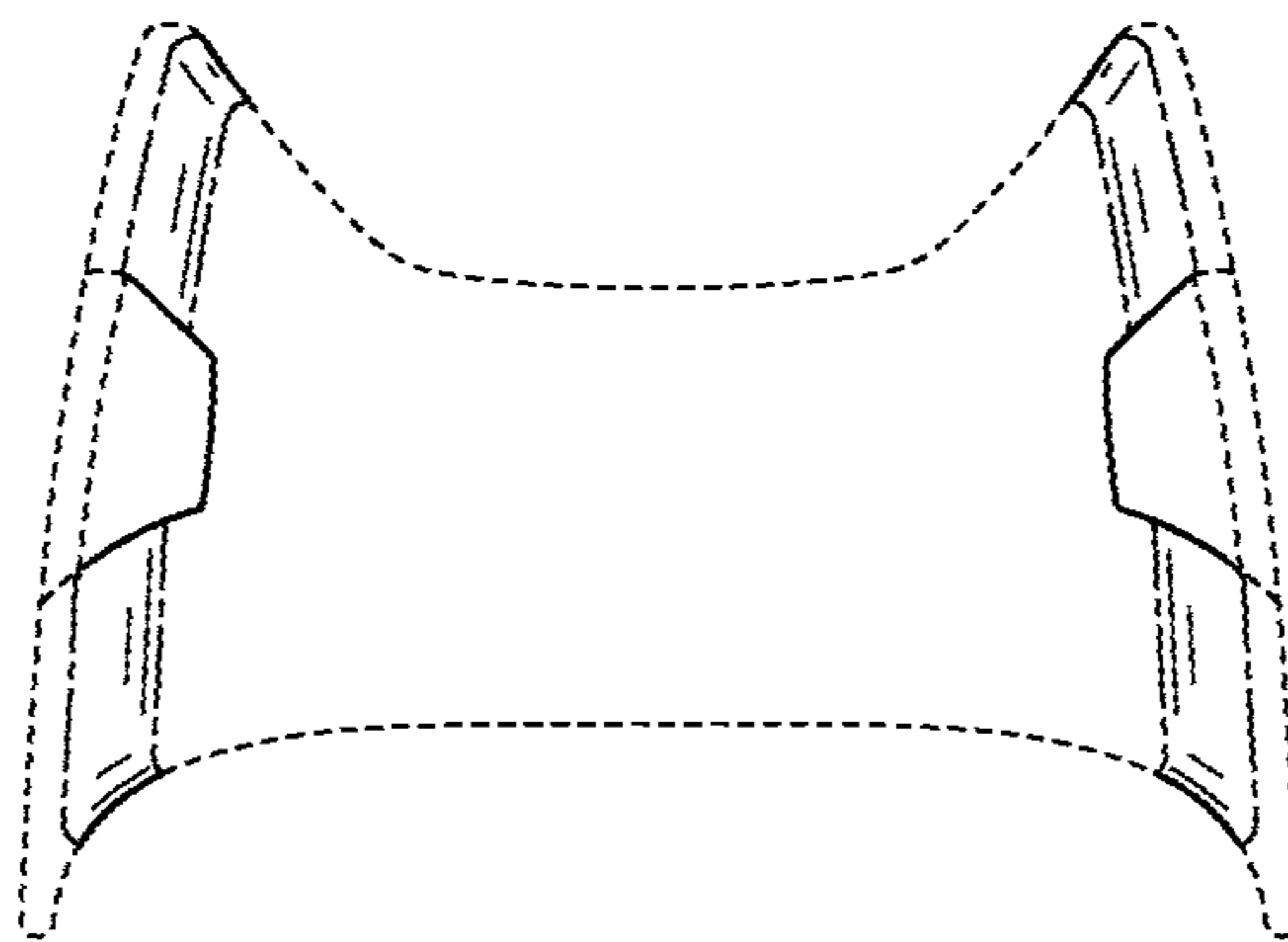


FIG. 3

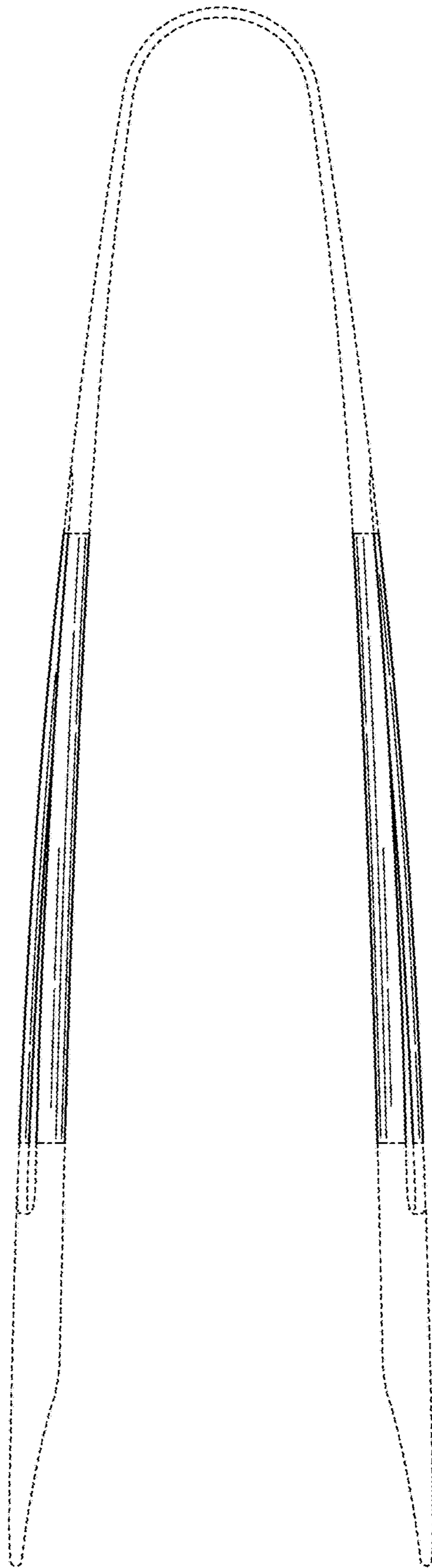


FIG. 4

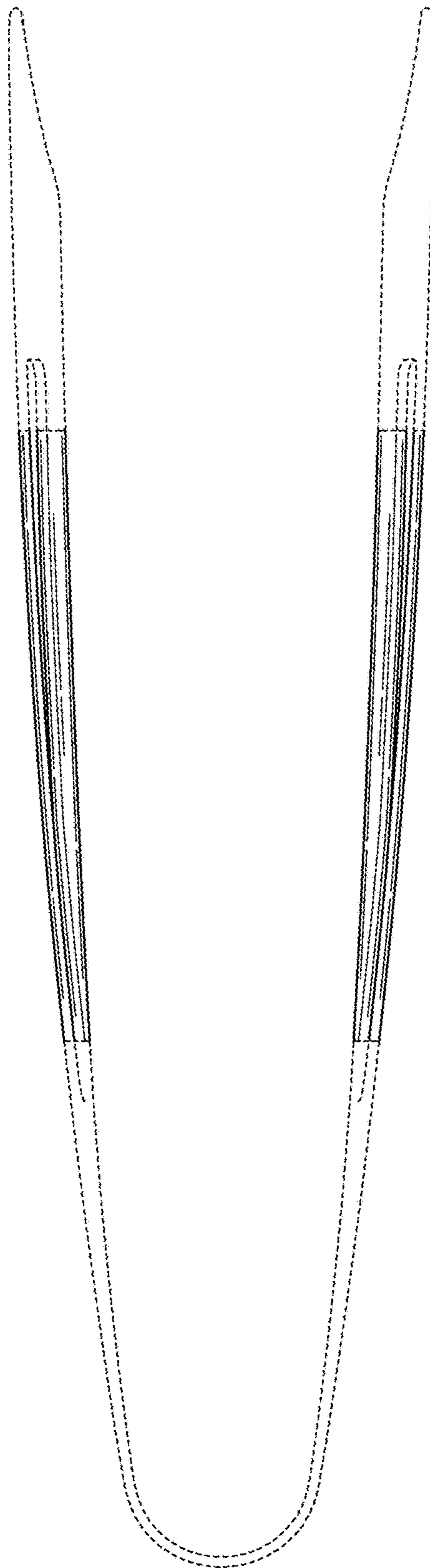


FIG. 5

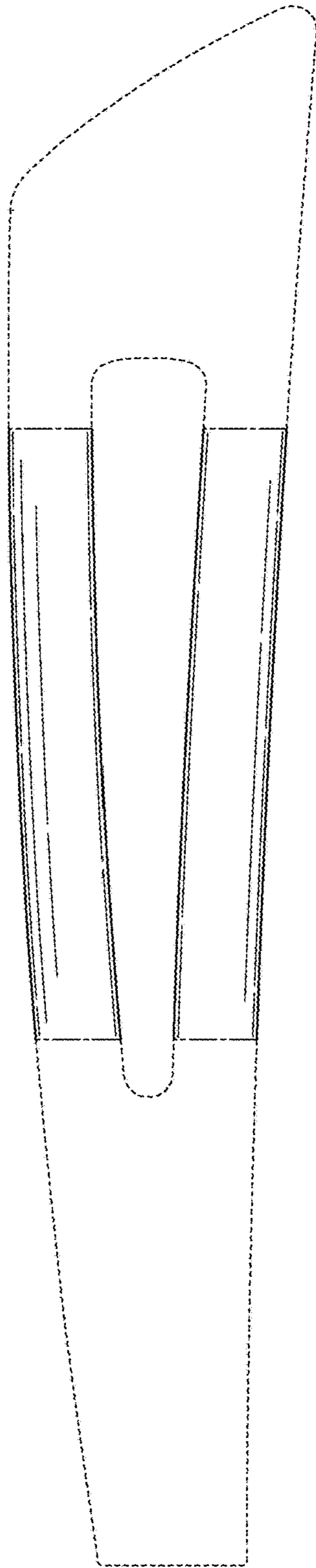


FIG. 6

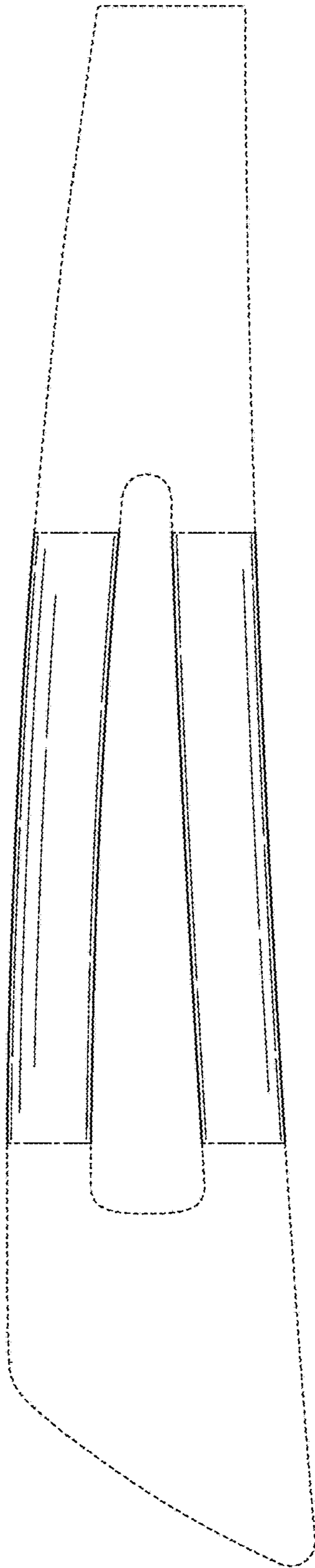


FIG. 7