



US00D855414S

(12) **United States Design Patent** (10) **Patent No.:** **US D855,414 S**
Cross et al. (45) **Date of Patent:** **** Aug. 6, 2019**

- (54) **NAPKIN DISPENSER**
- (71) Applicant: **GPCP IP Holdings LLC**, Atlanta, GA (US)
- (72) Inventors: **Brandon Seth Cross**, Atlanta, GA (US); **Melissa Ann Altenhofen**, Chicago, IL (US)
- (73) Assignee: **GPCP IP Holdings LLC**, Atlanta, GA (US)

D528,871 S *	9/2006	Zeiron	D7/631
7,178,689 B2	2/2007	Wieser et al.	
D552,428 S *	10/2007	Zeiron	D7/631
D571,159 S	6/2008	Pommier et al.	
D635,805 S *	4/2011	Pleyber	D6/518
D692,730 S *	11/2013	Wilson, Jr.	D7/631
D705,015 S	5/2014	Wilson, Jr. et al.	
D705,016 S	5/2014	Wilson, Jr. et al.	
D745,336 S *	12/2015	Rittfeldt	D7/631
2006/0086748 A1	4/2006	Burns et al.	
2014/0076917 A1	3/2014	Siebel	
2014/0319164 A1	10/2014	Wilson et al.	
2015/0048104 A1	2/2015	Wilson et al.	

(**) Term: **15 Years**

FOREIGN PATENT DOCUMENTS

- (21) Appl. No.: **29/619,795**
- (22) Filed: **Oct. 2, 2017**
- (51) **LOC (12) Cl.** **07-06**
- (52) **U.S. Cl.**
USPC **D7/631**
- (58) **Field of Classification Search**
USPC D3/273, 274; D7/631, 637-641, 550.1; D9/420-426, 432; D19/77, 81-86; 206/553, 557, 562, 564; 211/60.1, 70.1, 211/70.7; 220/23.83
CPC A47G 21/06; A47G 21/14; A47G 29/08; B65D 43/169; B65D 45/00; B67B 7/16; B67B 7/44
See application file for complete search history.

AU	2011203049 B2	7/2011
CA	2482821 A1	11/2003
CA	2524098 A1	4/2006
CA	2610344 C	1/2013
CA	2855907 A1	5/2013
CA	2884726 A1	3/2014

(Continued)

Primary Examiner — Derrick E Holland
Assistant Examiner — Janice Patyk

(57) **CLAIM**

The ornamental design for a napkin dispenser, as shown and described.

DESCRIPTION

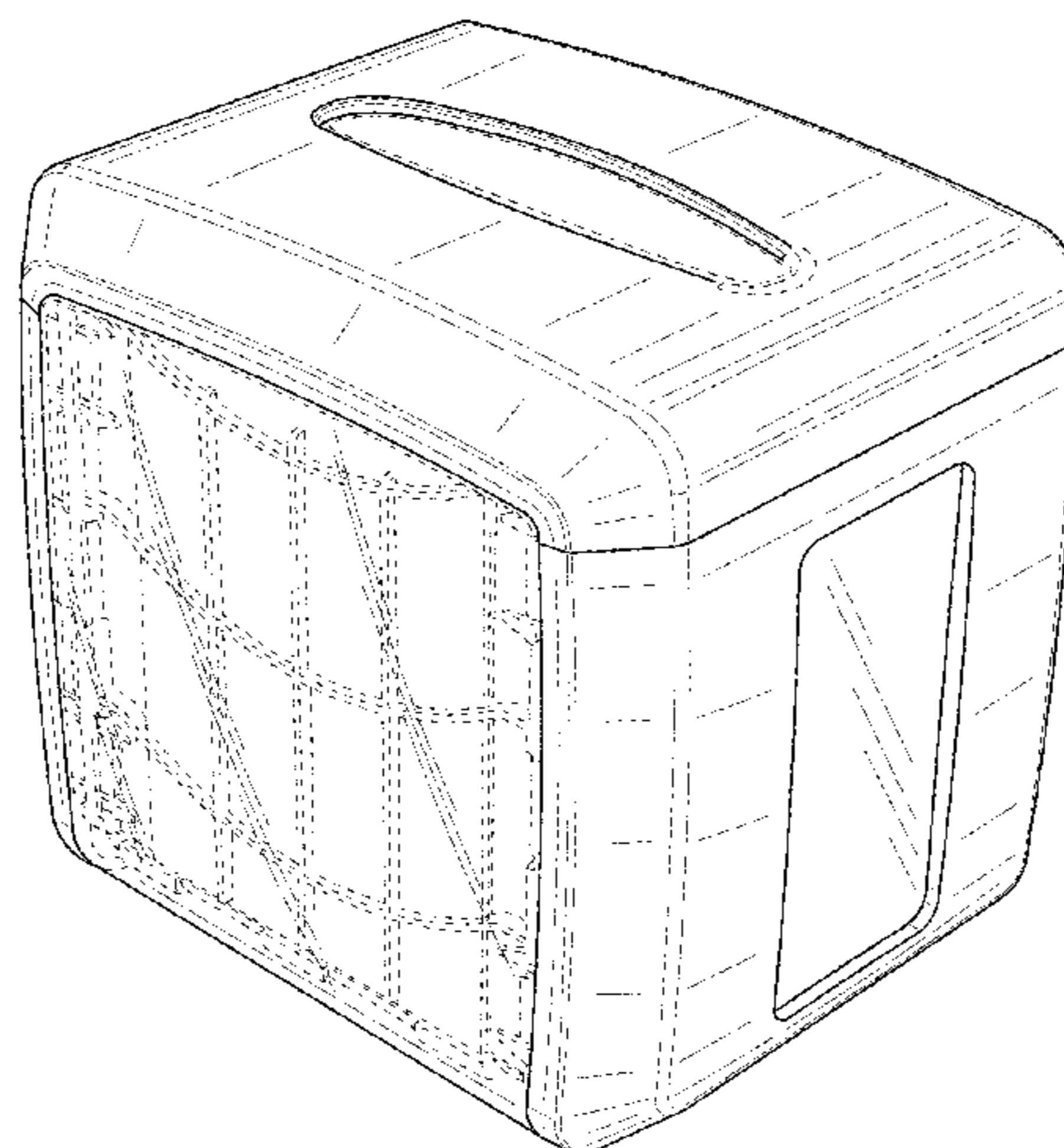
FIG. 1 is a front perspective view of a napkin dispenser, showing our new design;
FIG. 2 is a top plan view thereof;
FIG. 3 is a bottom plan view thereof;
FIG. 4 is a left side elevation view thereof;
FIG. 5 is a right side elevation view thereof; and,
FIG. 6 is a rear elevation view thereof.
The broken lines in the figures illustrate the portions of the design that form no part of the claimed design.

1 Claim, 6 Drawing Sheets

(56) **References Cited**

U.S. PATENT DOCUMENTS

2,435,104 A	1/1948	Solomon	
3,208,636 A	9/1965	Filipowicz	
D371,708 S *	7/1996	Haley	D6/518
6,779,683 B2	8/2004	Taylor et al.	
D524,084 S	7/2006	Wieser et al.	
D526,165 S	8/2006	Burns et al.	
D526,859 S *	8/2006	Zeiron	D7/631
D527,587 S *	9/2006	Zeiron	D7/631



(56)

References Cited

FOREIGN PATENT DOCUMENTS

EP	1649795	A2	4/2006
EP	2850984	A2	3/2015
EP	2850985	B1	4/2016
EP	2338398	B1	6/2016
RU	00068552		6/2015
WO	03/092461	A1	11/2003
WO	2006/132618	A1	12/2006
WO	2013/064165	A2	5/2013
WO	2014/040889	A2	3/2014

* cited by examiner

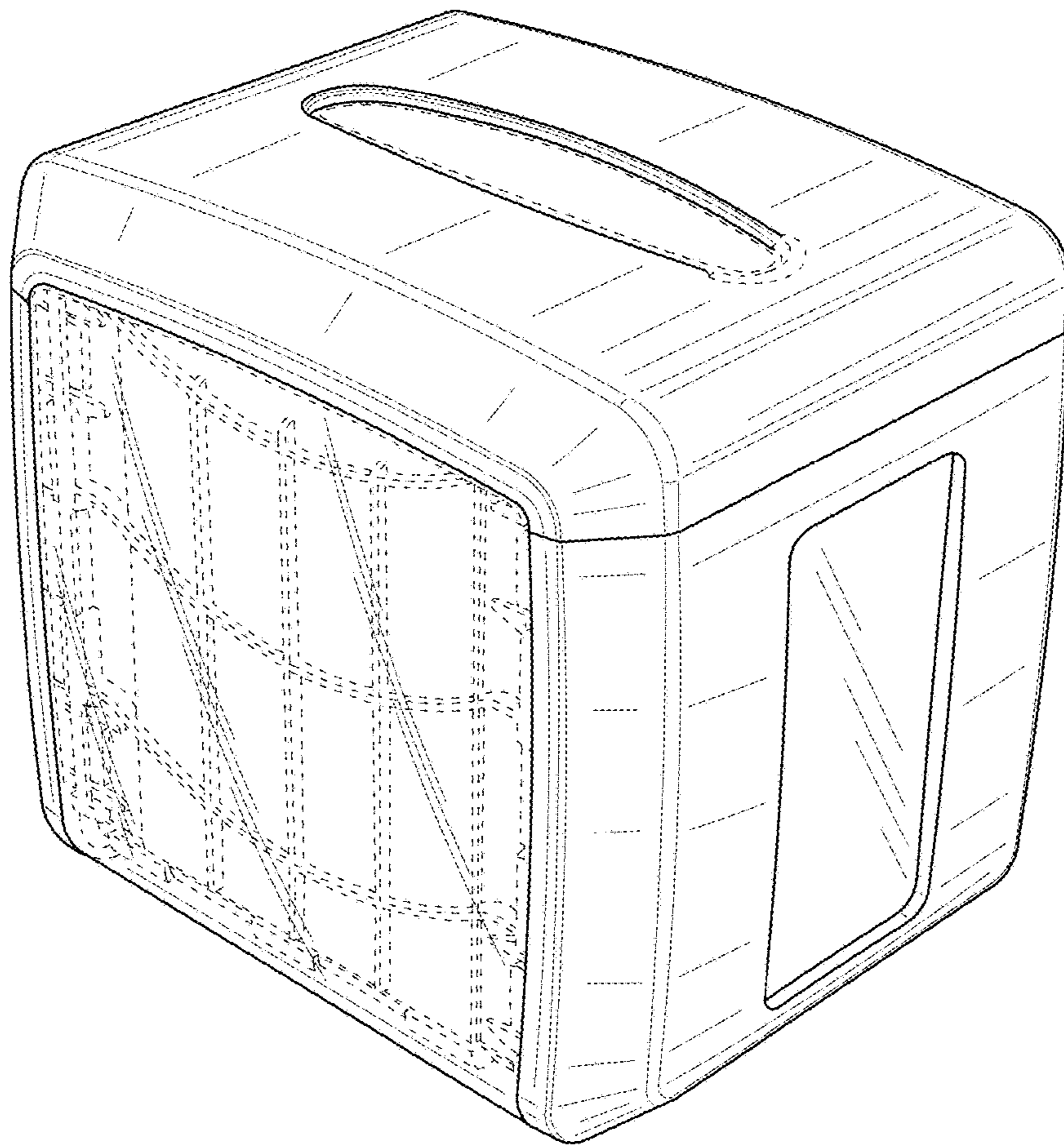


FIG. 1

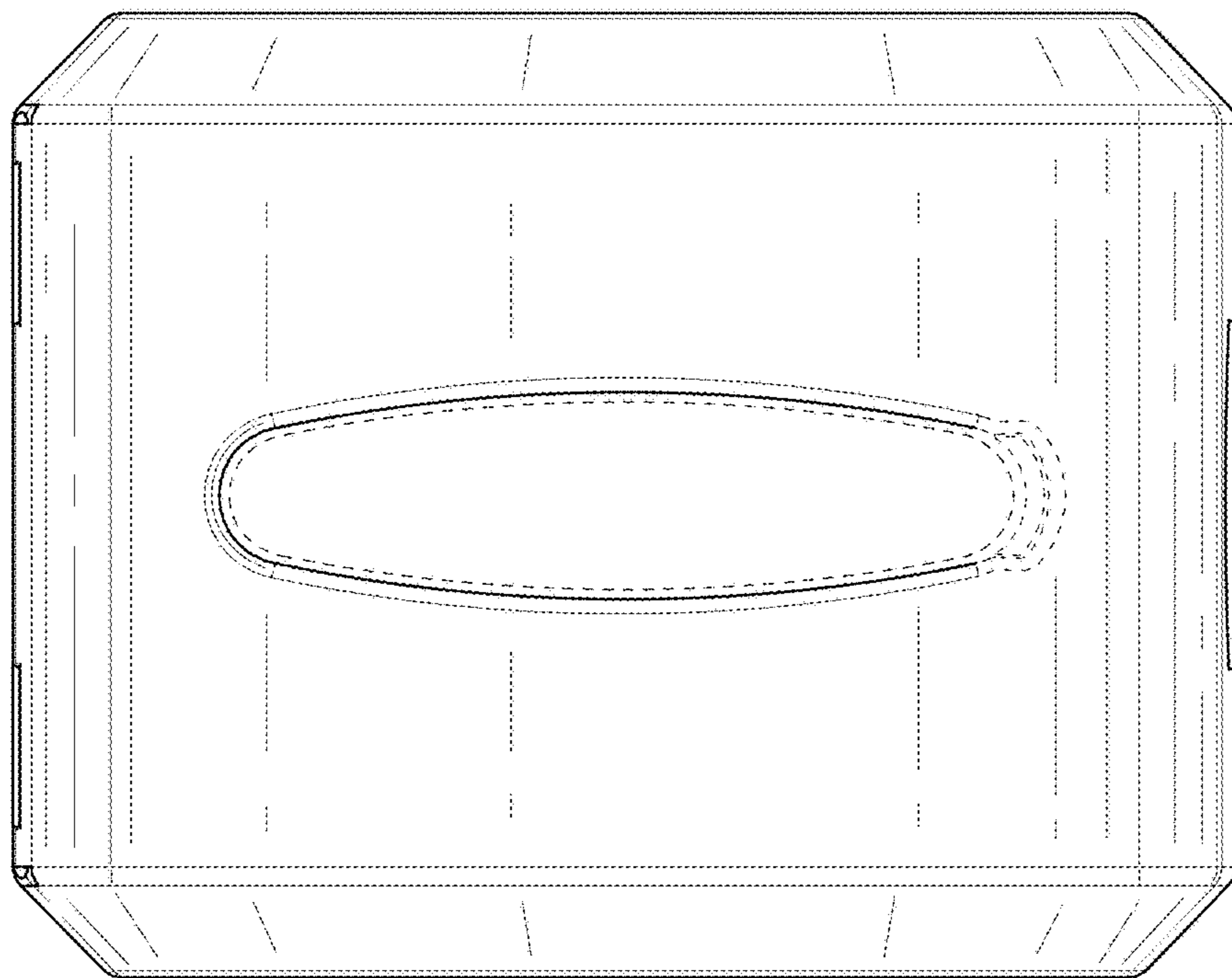


FIG. 2

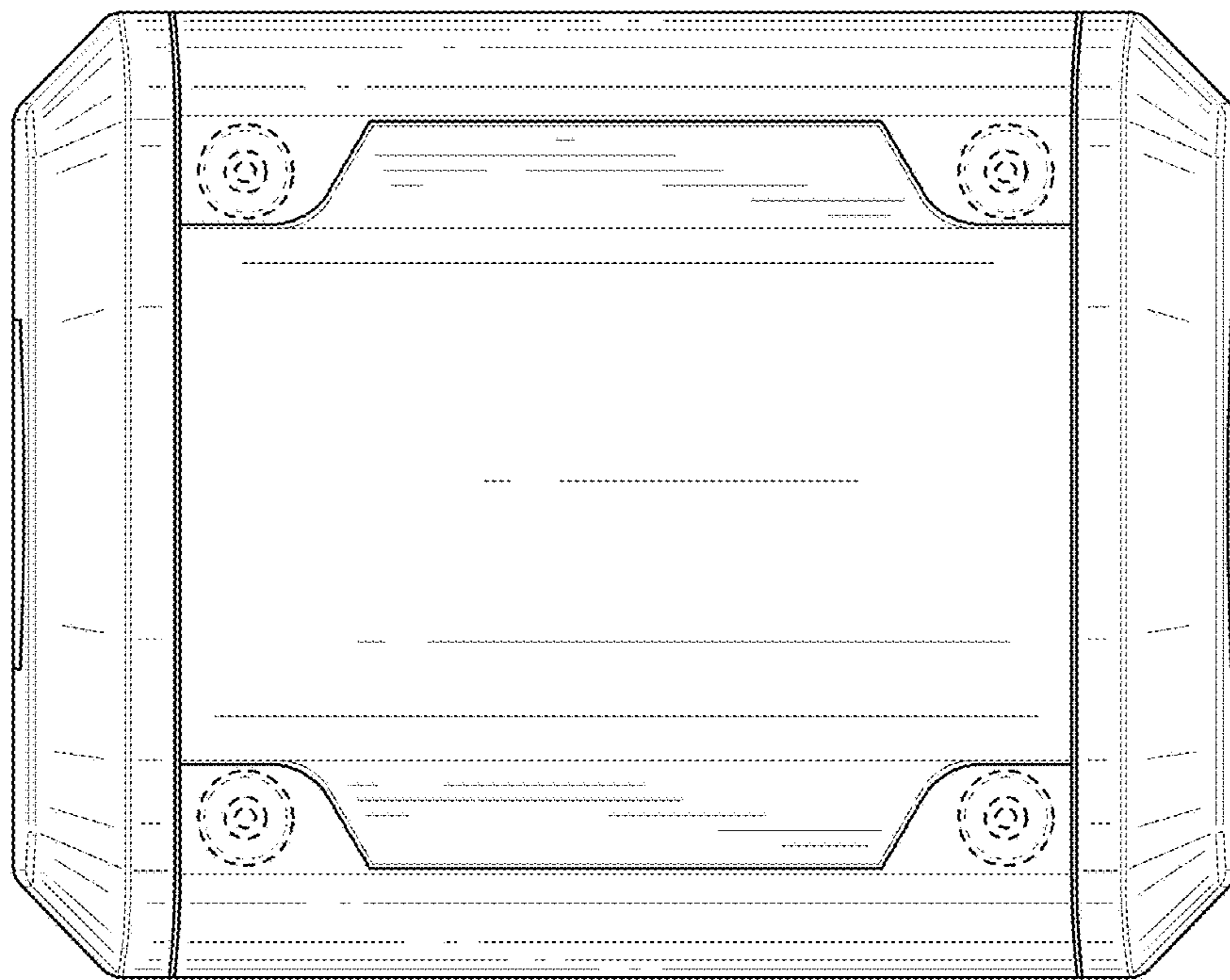


FIG. 3

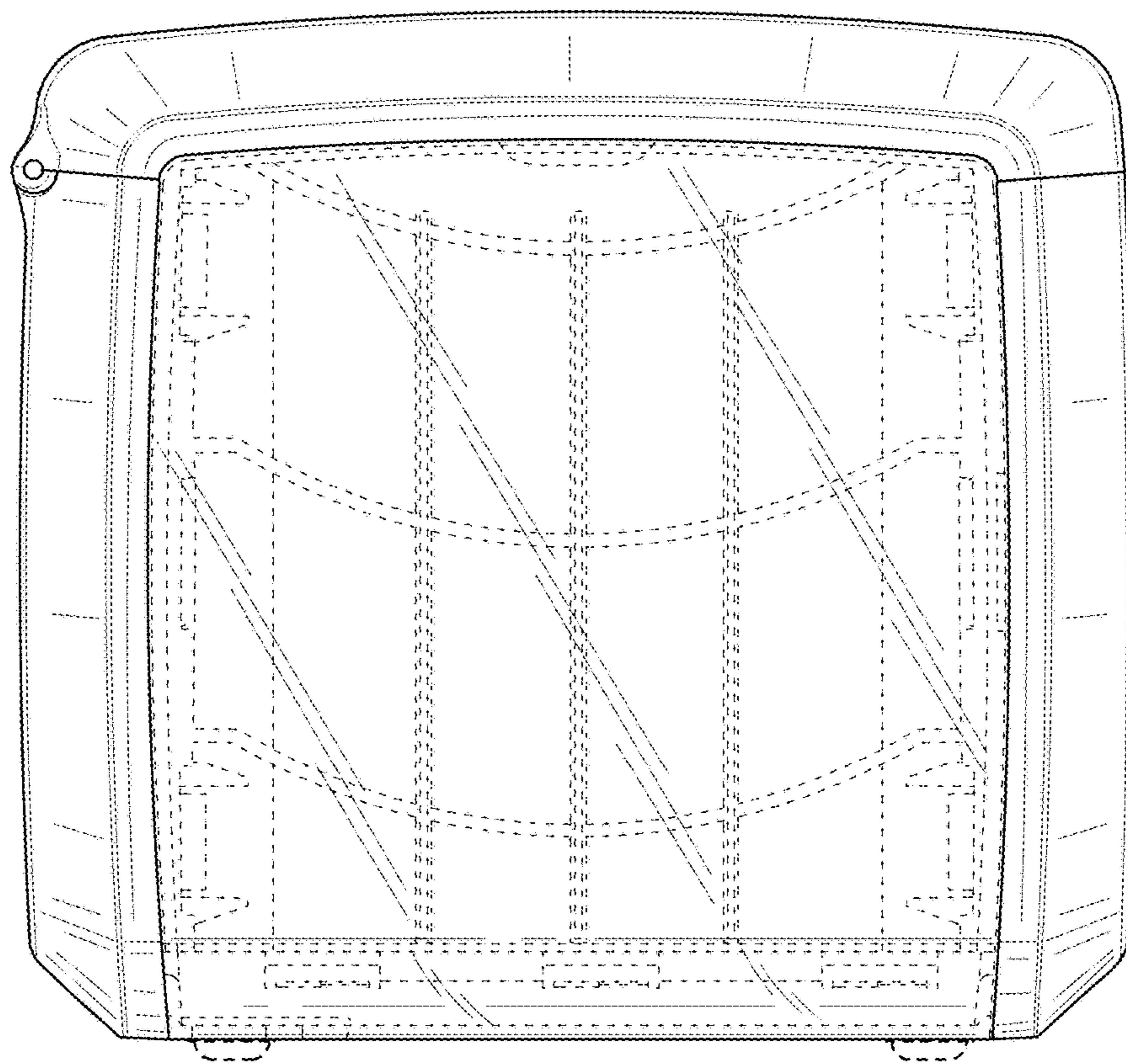


FIG. 4

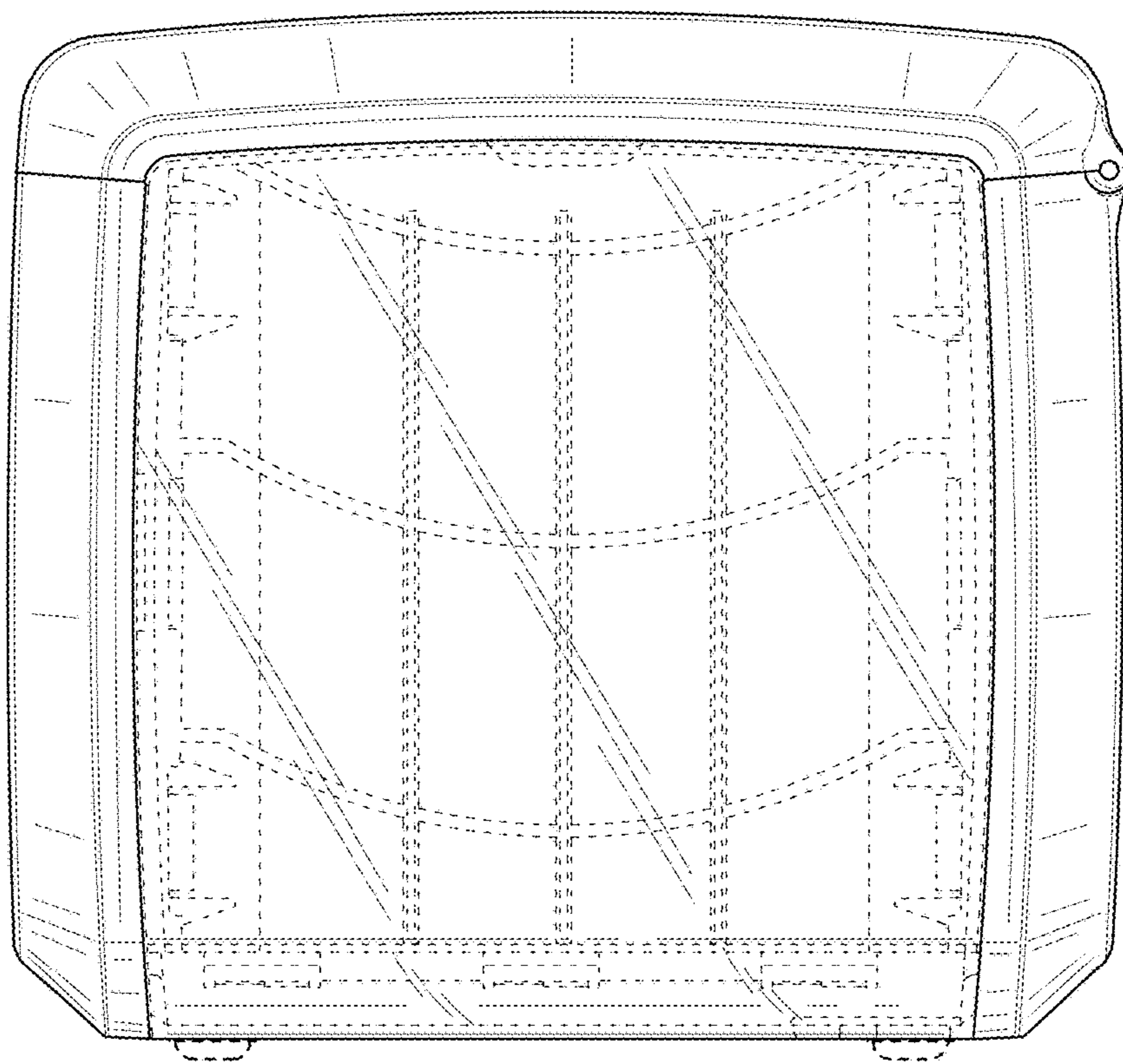


FIG. 5

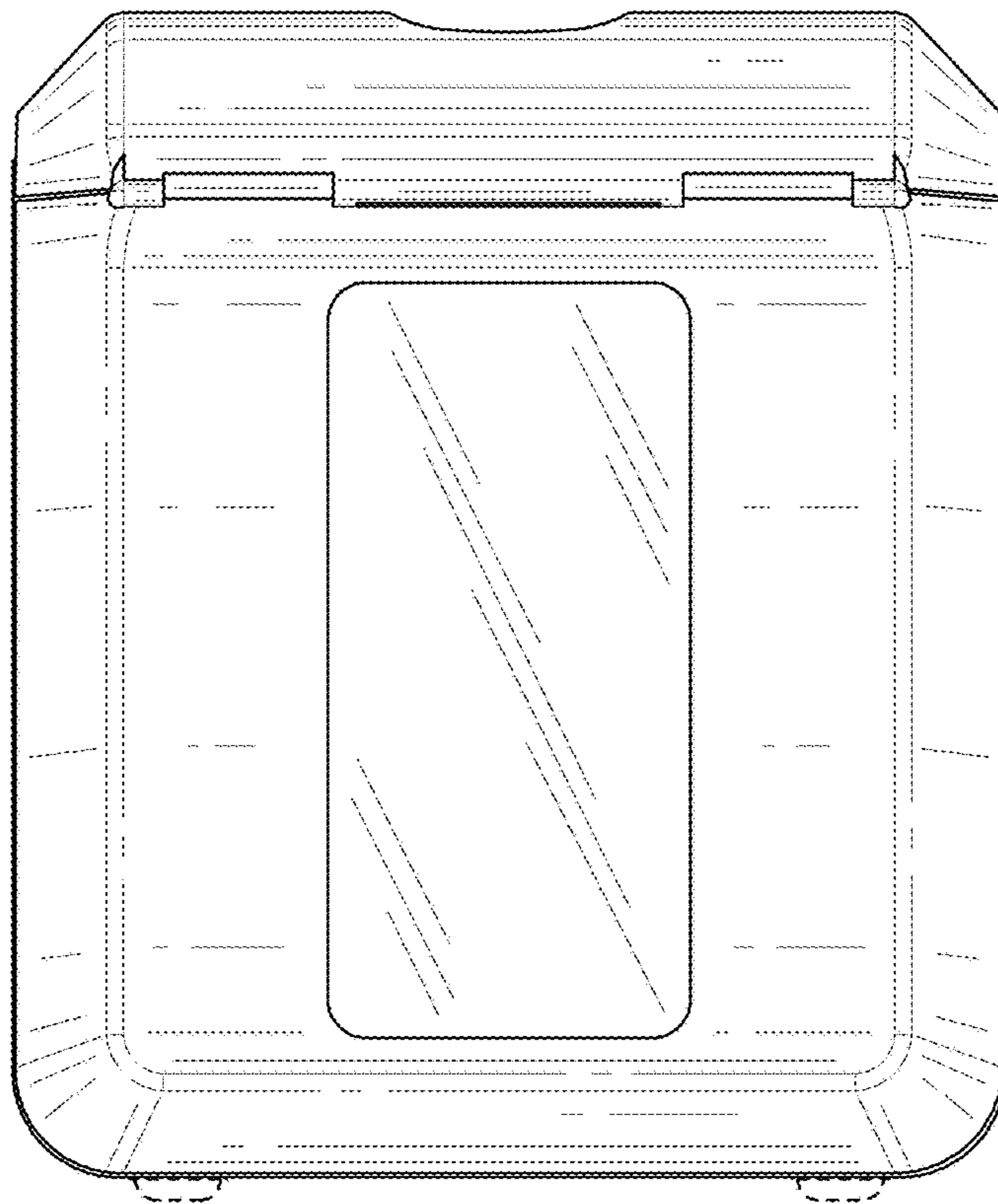


FIG. 6