



US00D855413S

(12) **United States Design Patent** (10) **Patent No.:** **US D855,413 S**
Cross et al. (45) **Date of Patent:** **** Aug. 6, 2019**

(54) **NAPKIN DISPENSER**

(71) Applicant: **GPCP IP HOLDINGS LLC**, Atlanta, GA (US)

(72) Inventors: **Brandon Seth Cross**, Atlanta, GA (US); **Melissa Ann Altenhofen**, Chicago, IL (US)

(73) Assignee: **GPCP IP Holdings LLC**, Atlanta, GA (US)

(**) Term: **15 Years**

(21) Appl. No.: **29/619,790**

(22) Filed: **Oct. 2, 2017**

(51) **LOC (12) Cl.** **07-06**

(52) **U.S. Cl.**
USPC **D7/631**

(58) **Field of Classification Search**
USPC D3/273, 274; D7/631, 637-641, 550.1; D9/420-426, 432; D19/77, 81-86; 206/553, 557, 562, 564; 211/60.1, 70.1, 211/70.7; 220/23.83
CPC A47G 21/06; A47G 21/14; A47G 29/08; B65D 43/169; B65D 45/00; B67B 7/16; B67B 7/44
See application file for complete search history.

(56) **References Cited**

U.S. PATENT DOCUMENTS

D336,597 S	6/1993	Renquist et al.	
D371,708 S *	7/1996	Haley	D6/518
D526,859 S *	8/2006	Zeiron	D7/631
D527,587 S *	9/2006	Zeiron	D7/631
D528,871 S *	9/2006	Zeiron	D7/631
D550,517 S	9/2007	Neveu et al.	
D552,428 S *	10/2007	Zeiron	D7/631

D635,805 S *	4/2011	Pleyber	D6/518
D692,730 S *	11/2013	Wilson, Jr.	D7/631
D745,336 S *	12/2015	Rittfeldt	D7/631
2014/0319164 A1	10/2014	Wilson et al.	
2015/0048104 A1	2/2015	Wilson et al.	

FOREIGN PATENT DOCUMENTS

CA	2855907 A1	5/2013
EM	000392998-0001 A1	10/2005
EM	000506043-0001 A1	5/2006
EP	2850984 A2	3/2015
EP	2850985 B1	4/2016
WO	2013/064165 A2	5/2013

* cited by examiner

Primary Examiner — Derrick E Holland

Assistant Examiner — Janice Patyk

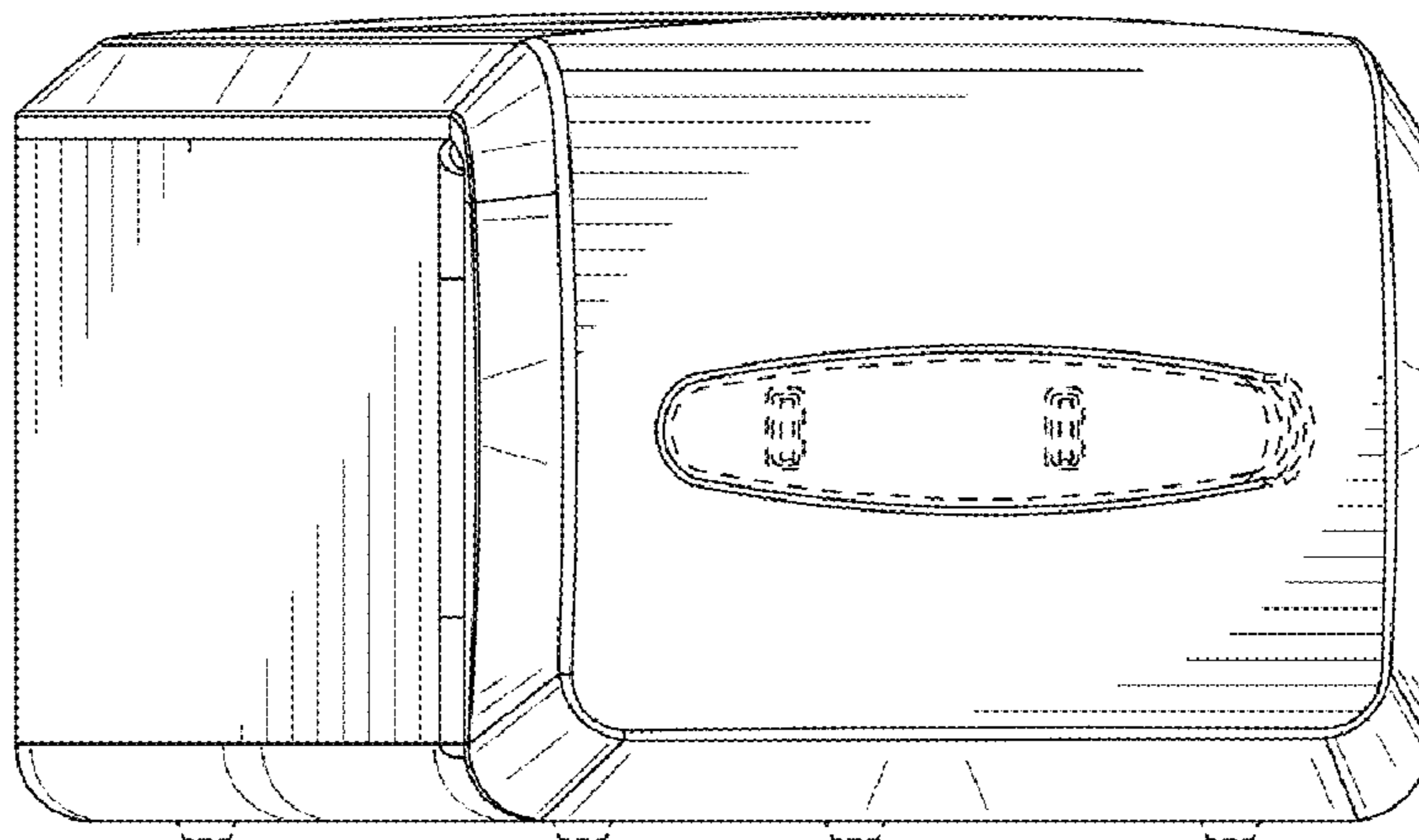
(57) **CLAIM**

The ornamental design for a napkin dispenser, as shown and described.

DESCRIPTION

FIG. 1 is a front perspective view of a napkin dispenser, showing our new design;
FIG. 2 is a rear perspective view thereof;
FIG. 3 is a left side, front perspective view thereof;
FIG. 4 is a right side, front perspective view thereof;
FIG. 5 is a top perspective view thereof;
FIG. 6 is a bottom perspective view thereof;
FIG. 7 is a front elevation view thereof;
FIG. 8 is a back elevation view thereof;
FIG. 9 is a left side perspective view thereof;
FIG. 10 is a right side perspective view thereof;
FIG. 11 is a top plan view thereof; and,
FIG. 12 is a bottom plan view thereof.
The broken lines in the figures illustrate the portions of the design that form no part of the claimed design.

1 Claim, 6 Drawing Sheets



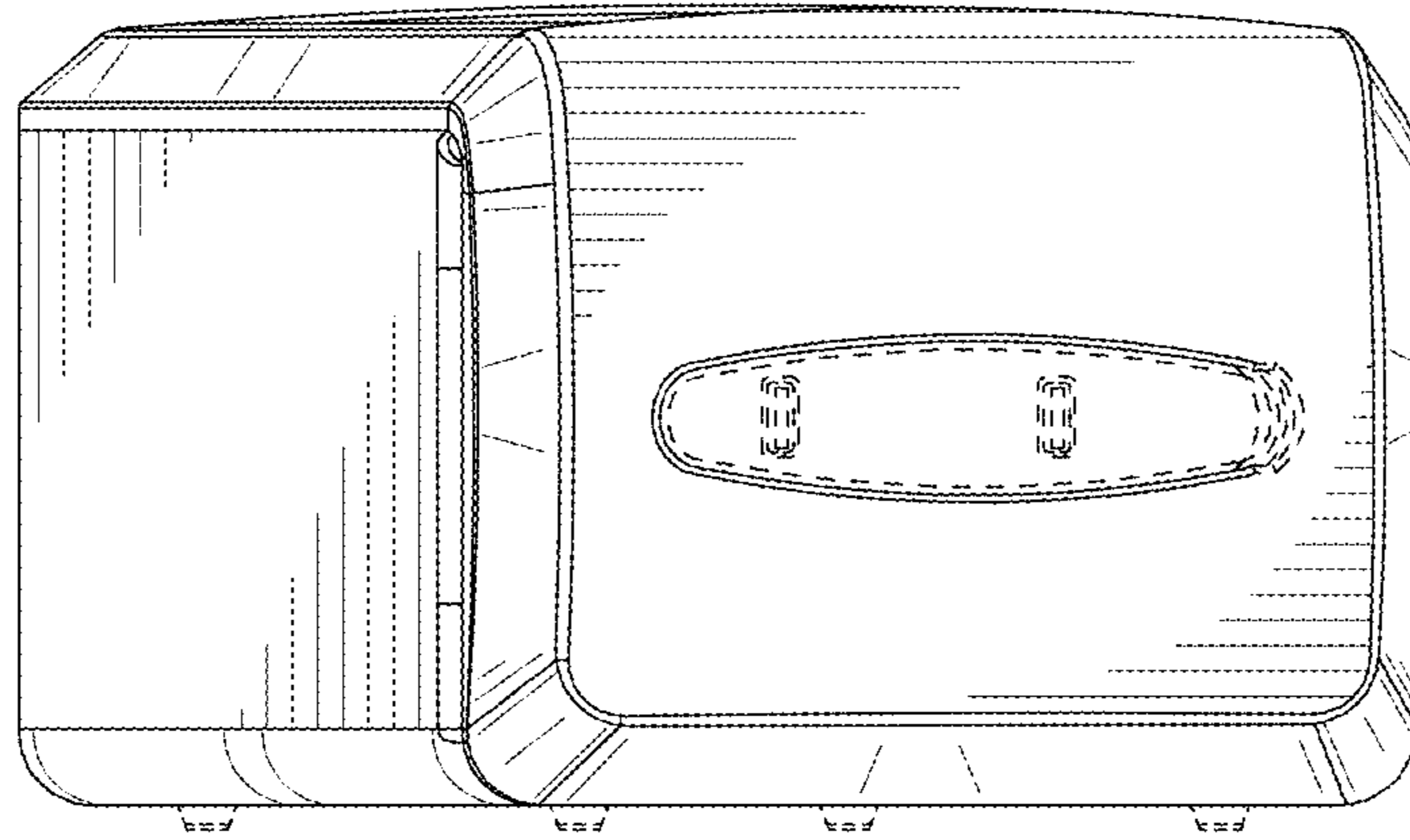


FIG. 1

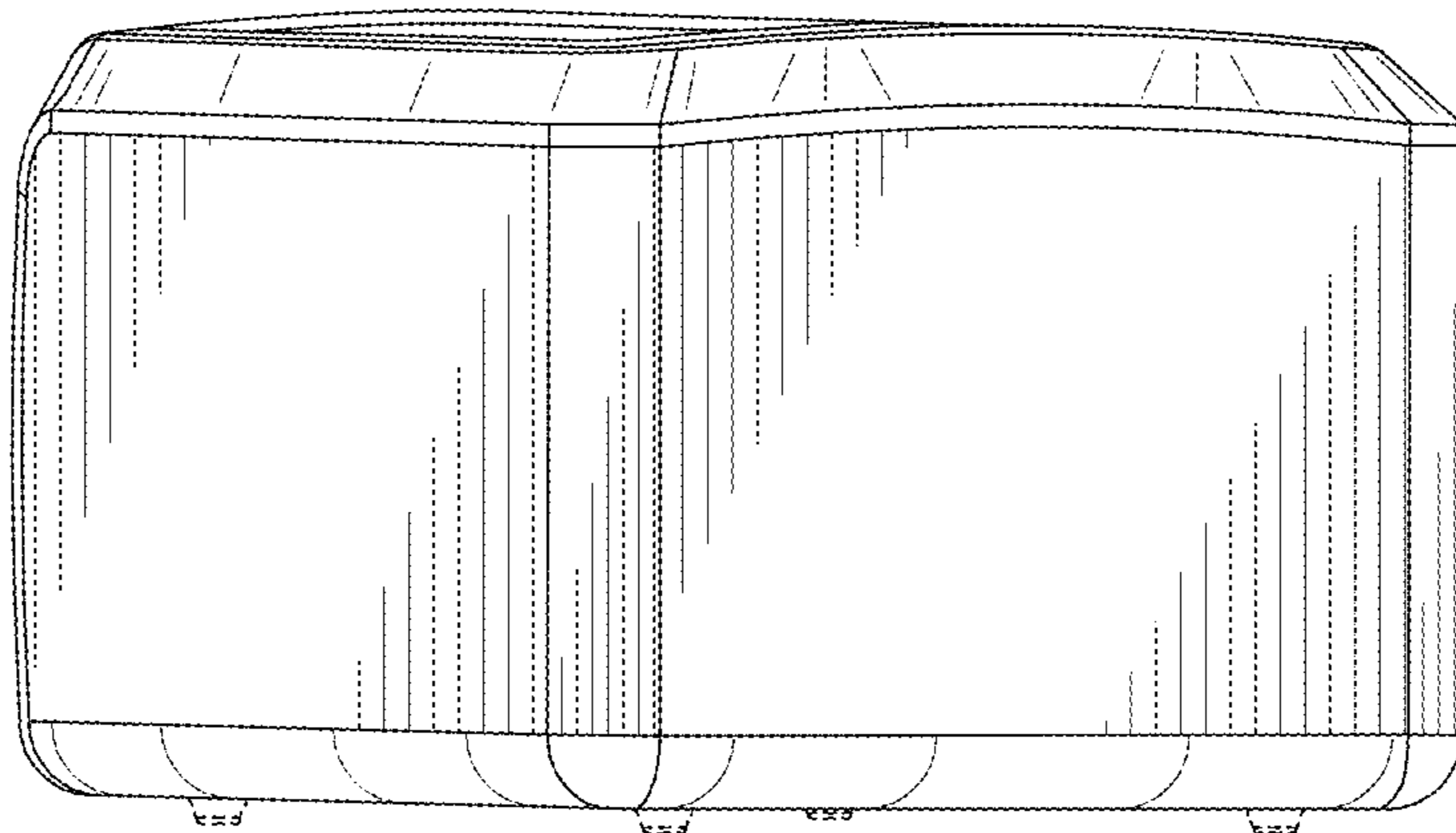


FIG. 2

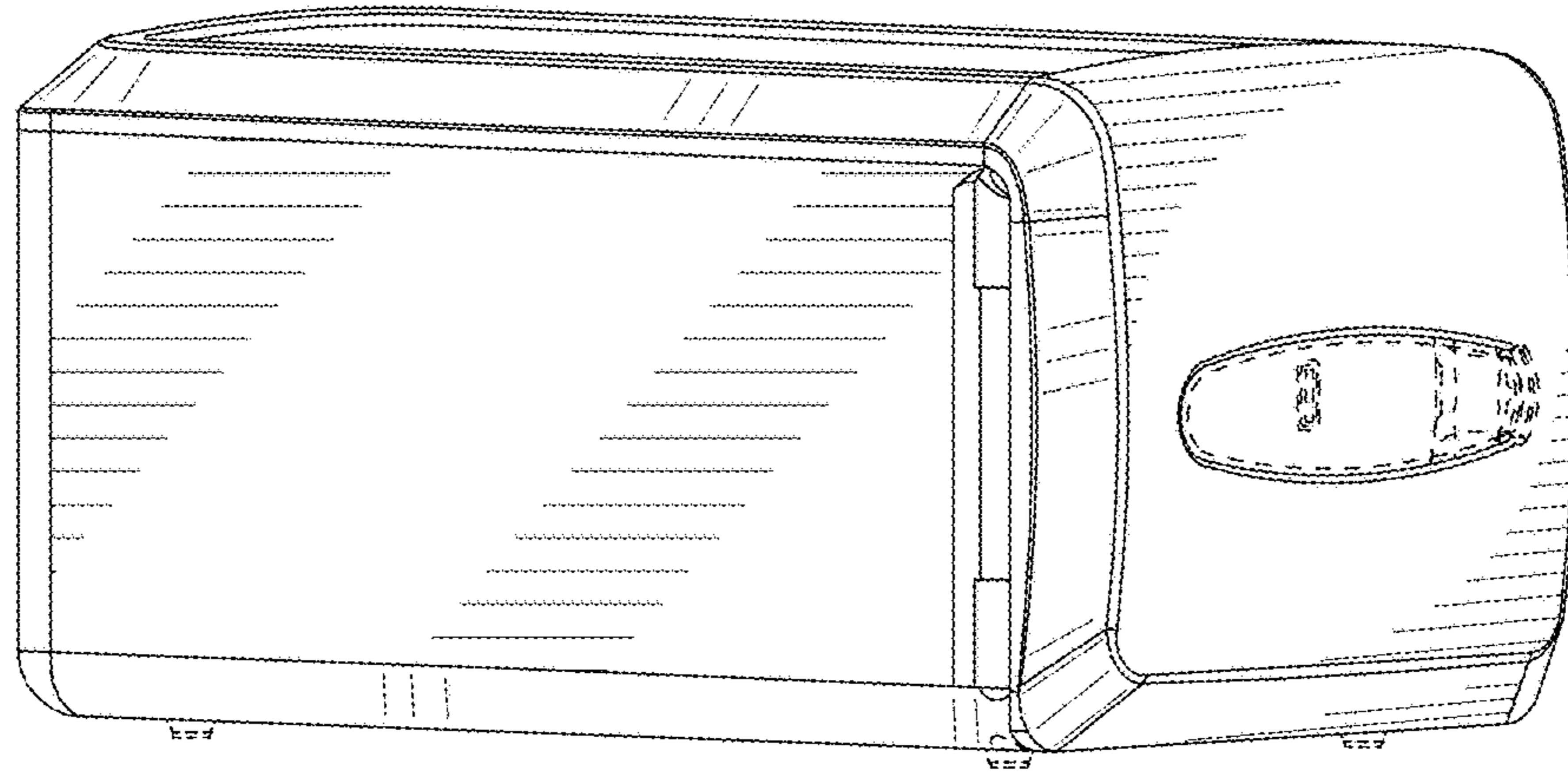


FIG. 3

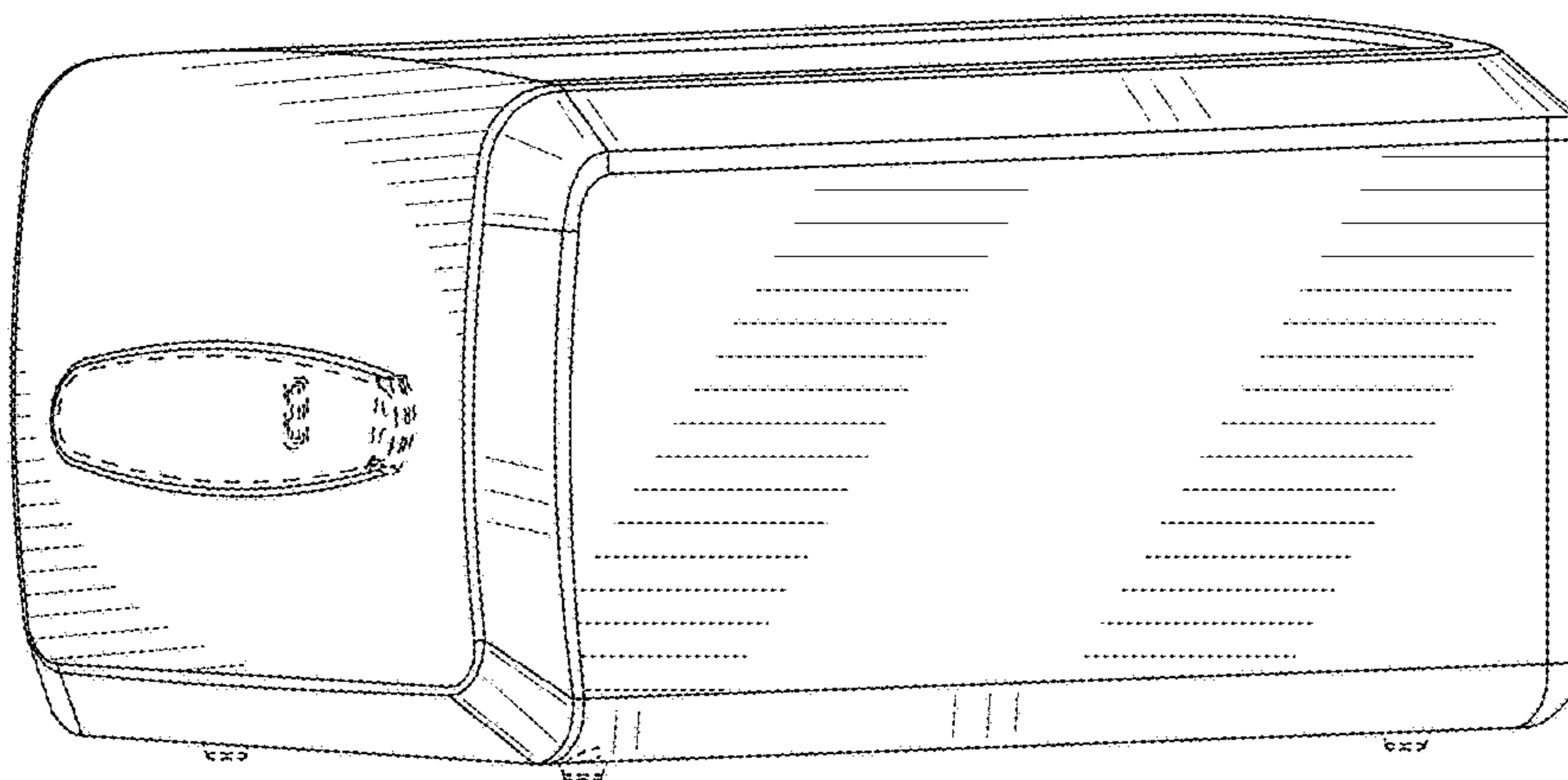


FIG. 4

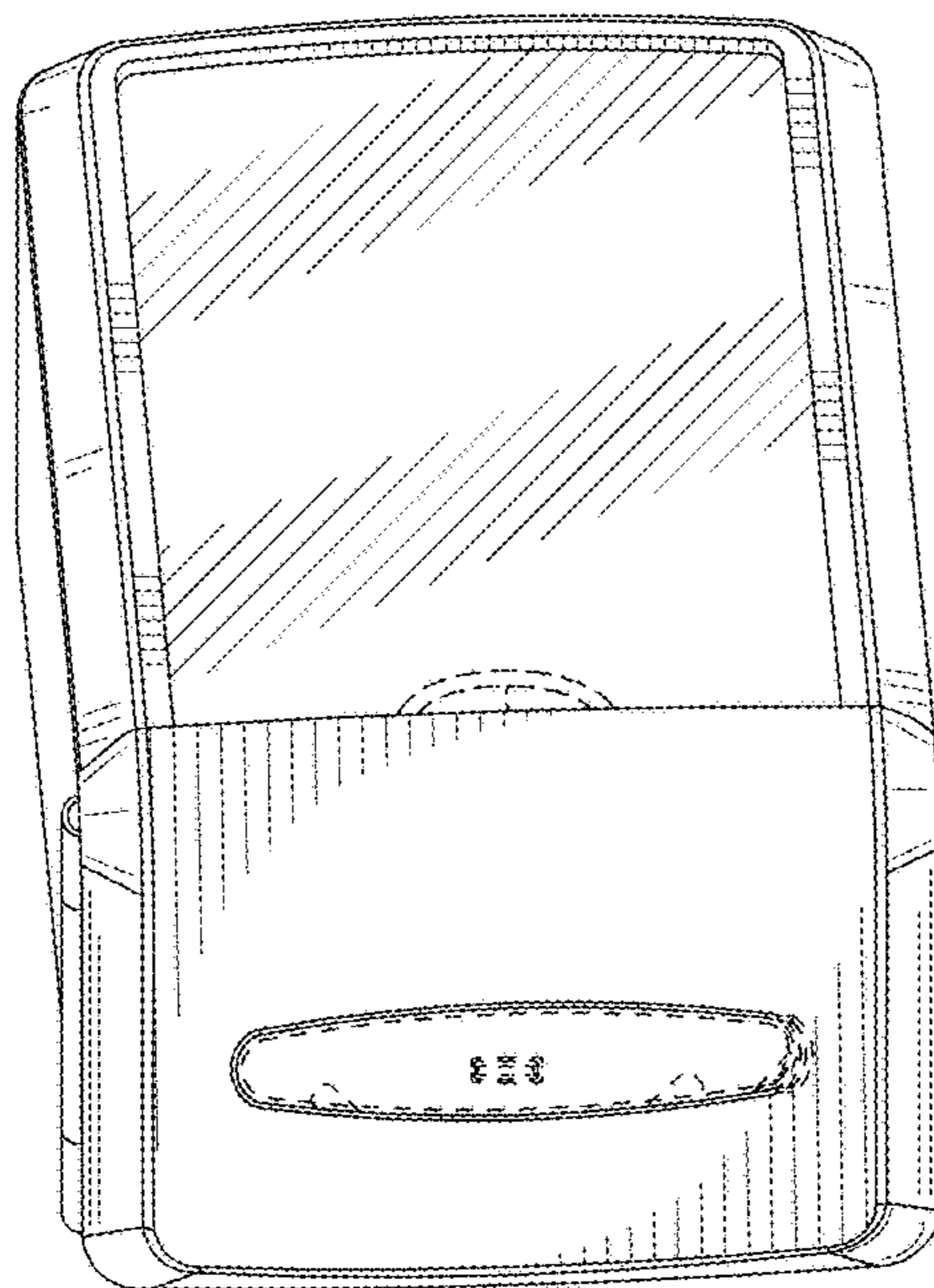


FIG. 5

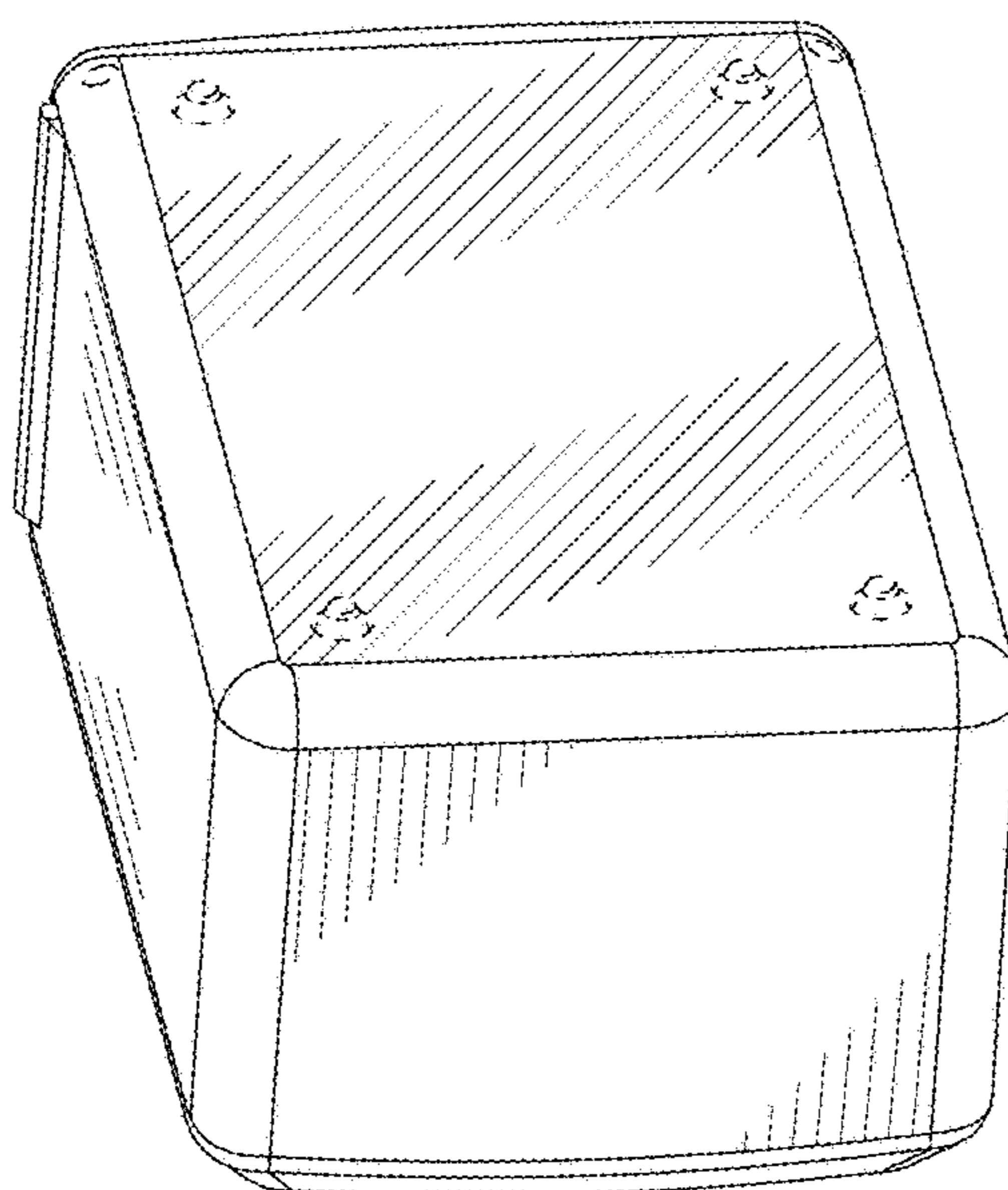


FIG. 6

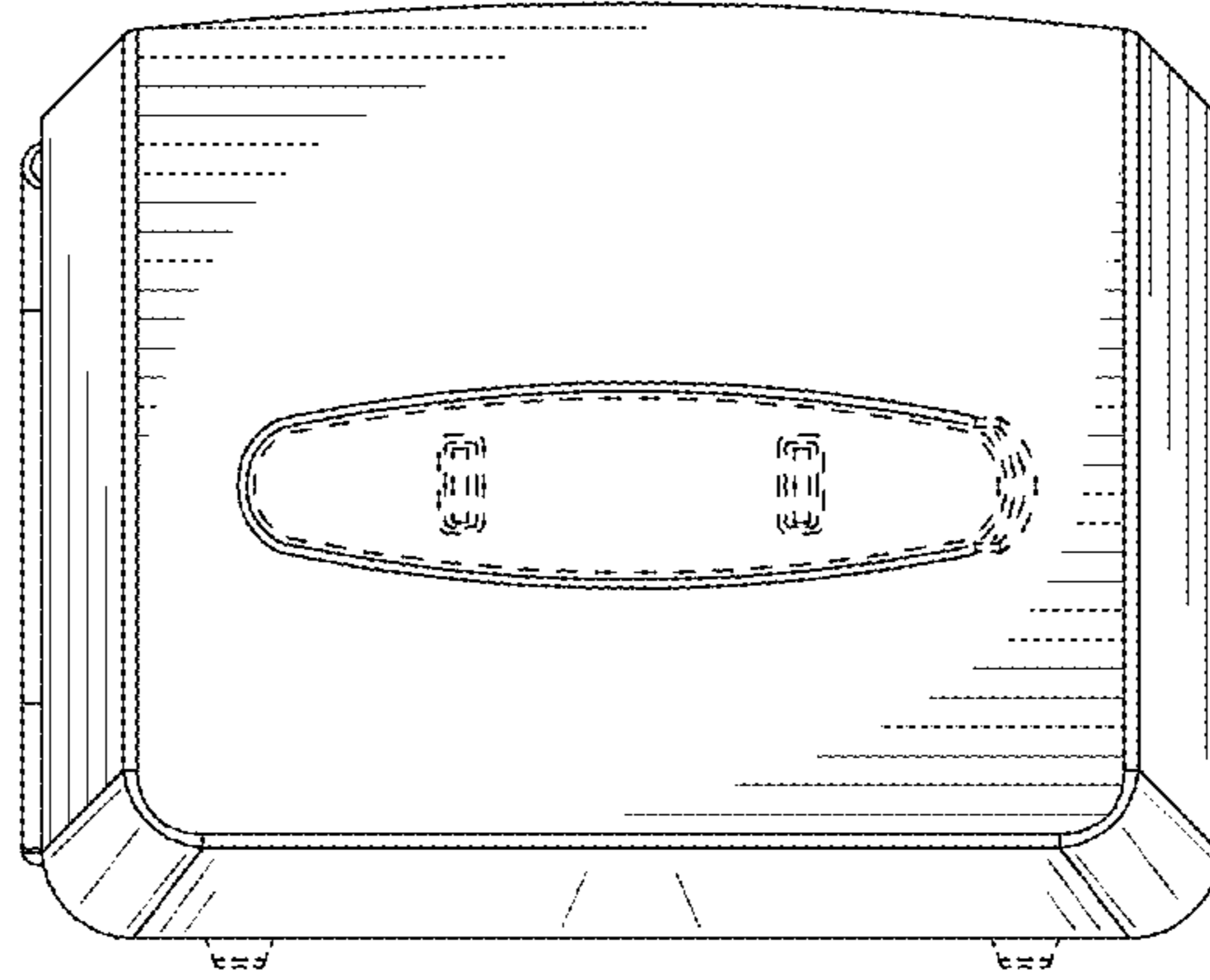


FIG. 7

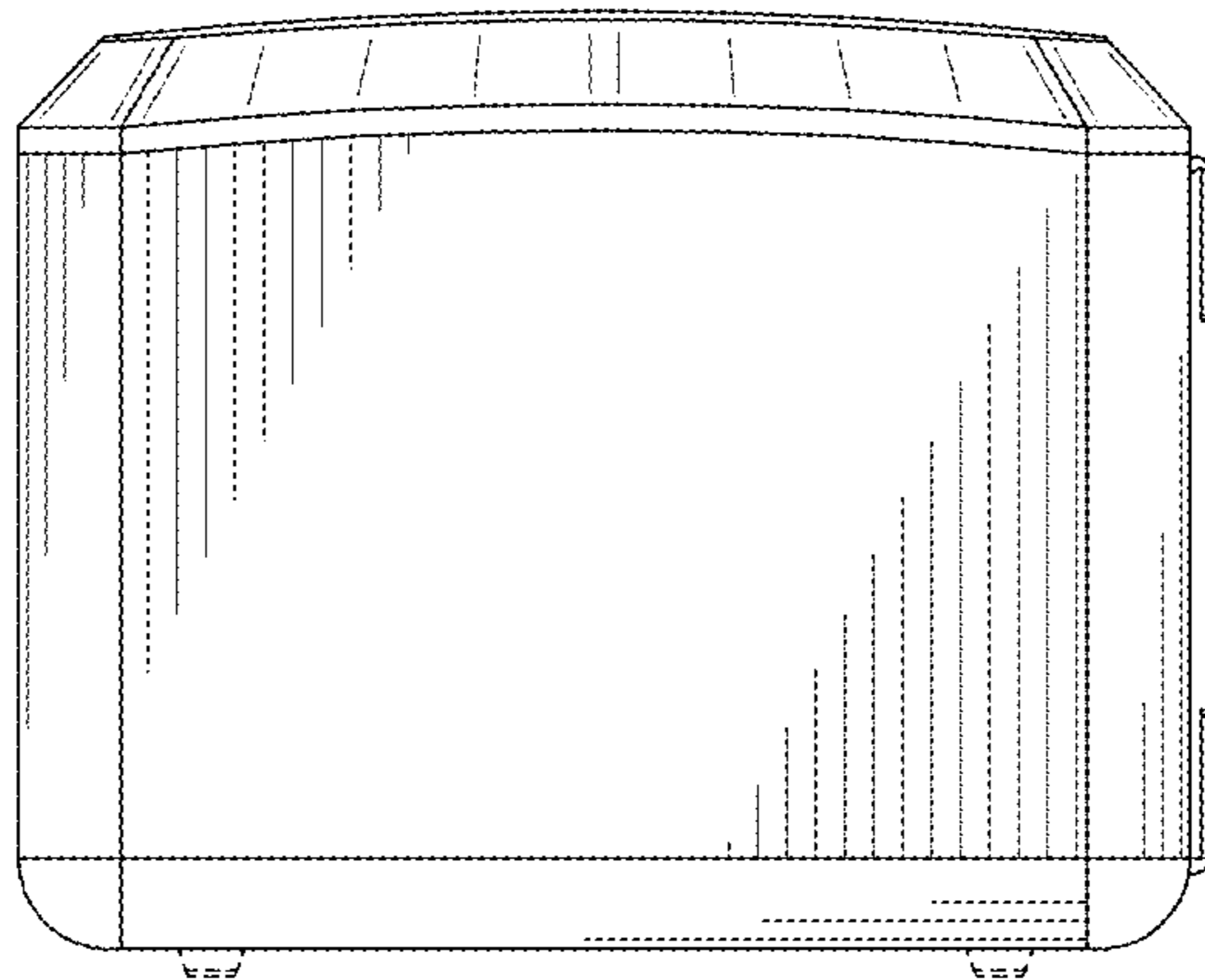


FIG. 8

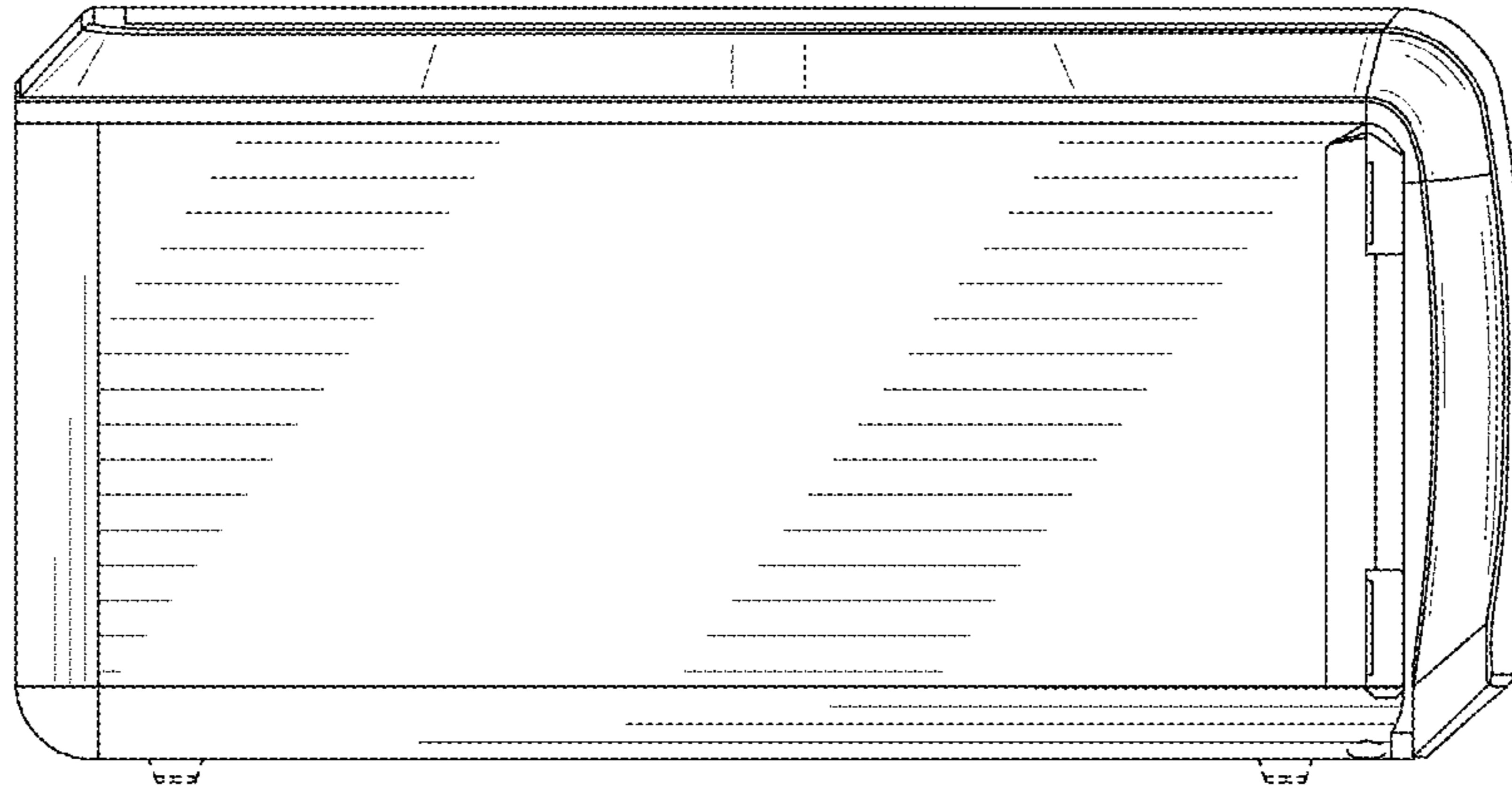


FIG. 9

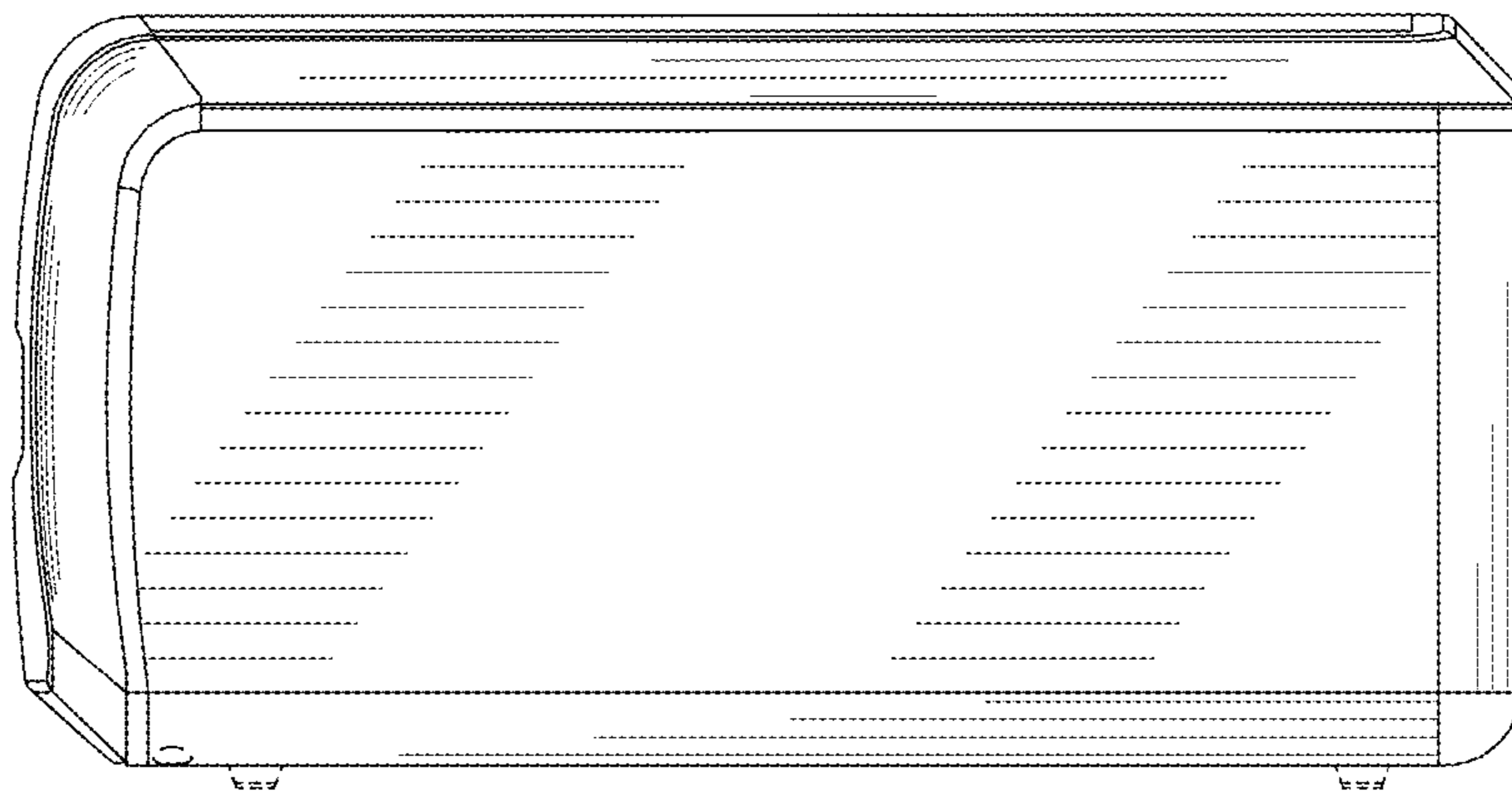


FIG. 10

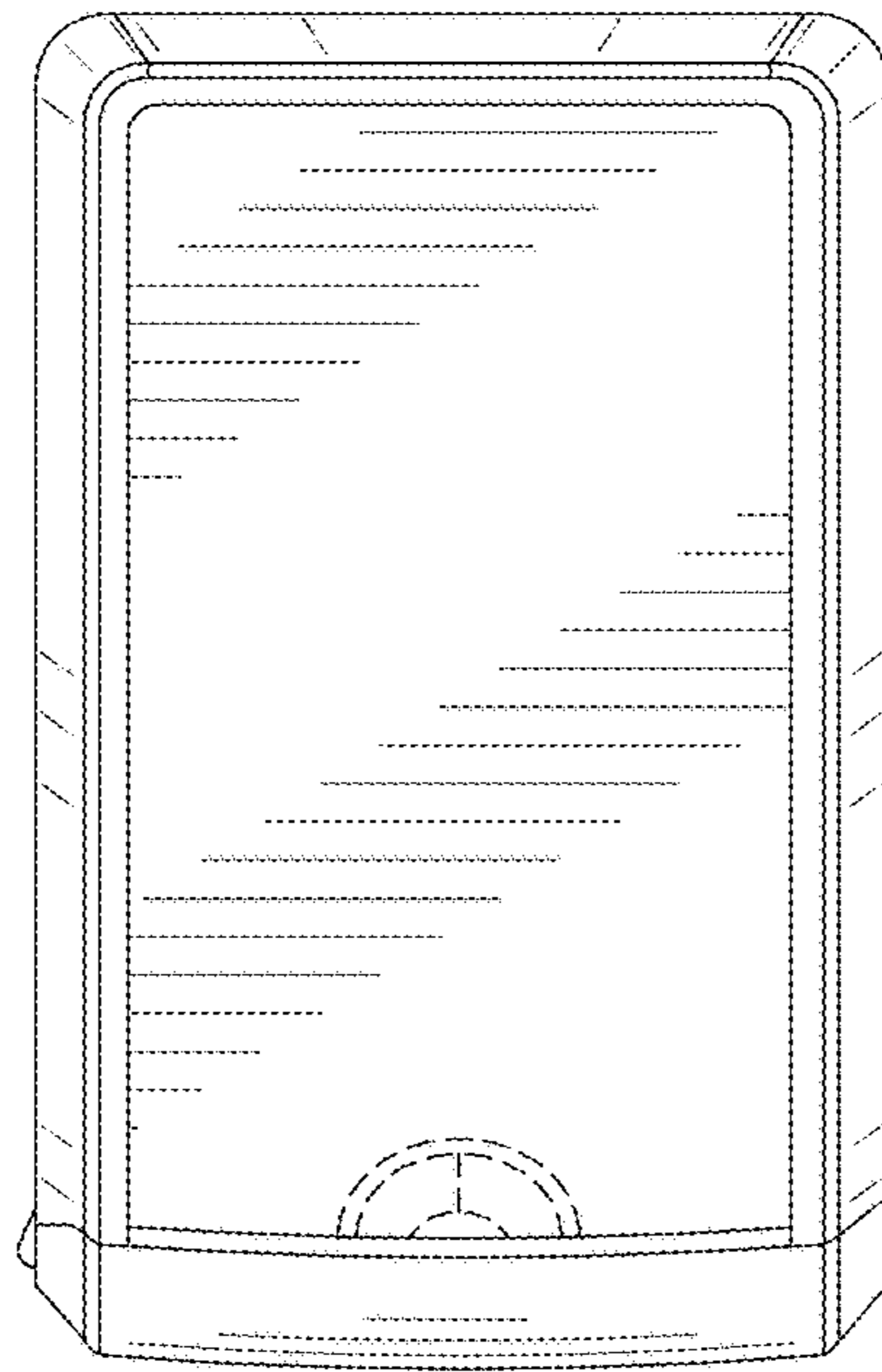


FIG. 11

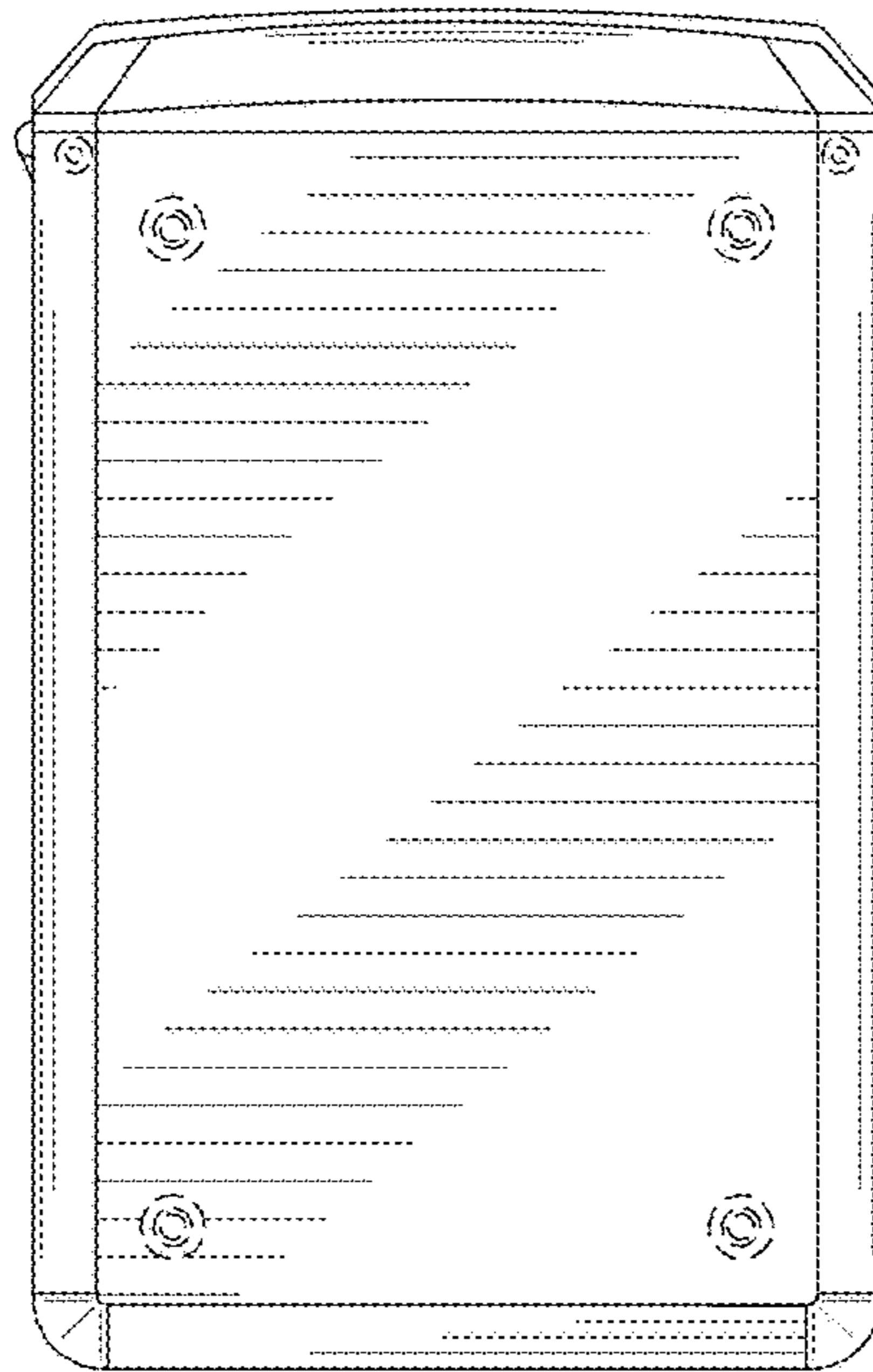


FIG. 12