



US00D855412S

(12) **United States Design Patent**
Kopaev

(10) **Patent No.:** **US D855,412 S**

(45) **Date of Patent:** **** Aug. 6, 2019**

(54) **CUP HOLDER**

(71) Applicant: **Igor V. Kopaev**, Moscow (RU)

(72) Inventor: **Igor V. Kopaev**, Moscow (RU)

(**) Term: **15 Years**

(21) Appl. No.: **29/623,241**

(22) Filed: **Oct. 24, 2017**

(30) **Foreign Application Priority Data**

Apr. 24, 2017 (RU) 2017501864

(51) **LOC (12) Cl.** **07-06**

(52) **U.S. Cl.**
USPC **D7/622**

(58) **Field of Classification Search**
USPC D7/619.1-625; D9/434, 455, 443
CPC A47G 23/0225; B60N 3/103; B60N 3/10;
B60N 3/102

See application file for complete search history.

(56) **References Cited**

U.S. PATENT DOCUMENTS

D309,848 S * 8/1990 Sokolski D7/620
D325,495 S * 4/1992 Rowles D7/620

D401,121 S * 11/1998 Hartmann D7/620
D497,779 S * 11/2004 Giampavolo D7/620
D799,909 S * 10/2017 Partridge D7/620

* cited by examiner

Primary Examiner — Terry A Wallace

(74) *Attorney, Agent, or Firm* — Honigman LLP

(57) **CLAIM**

I claim the ornamental design for a cup holder, as shown and described.

DESCRIPTION

FIG. 1 is a perspective view of a cup holder in accordance with our new design;

FIG. 2 is a side elevation view of the cup holder of FIG. 1, an opposite side elevation view being a mirror image thereof;

FIG. 3 is a top plan view of the cup holder of FIG. 1;

FIG. 4 is a rear elevation view of the cup holder of FIG. 1;

FIG. 5 is a bottom plan view of the cup holder of FIG. 1;

FIG. 6 is a front elevation view of the cup holder of FIG. 1; and,

FIG. 7 is a perspective view of a cup holder in accordance with our new design; an exemplary cup is shown in broken lines.

The broken lines shown throughout the drawing figures are for illustrative purposes only and form no part of the claim.

1 Claim, 4 Drawing Sheets

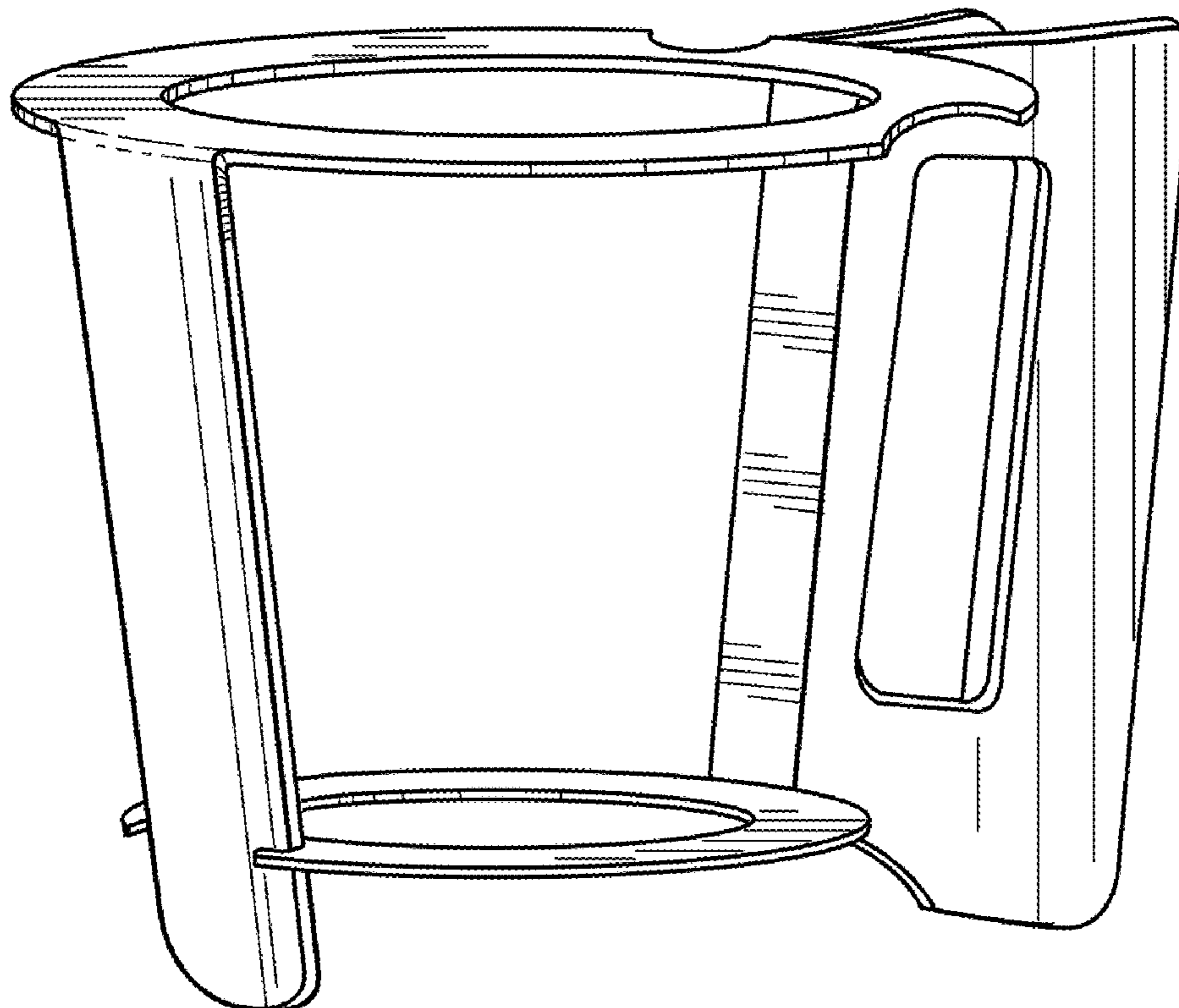


FIG. 1

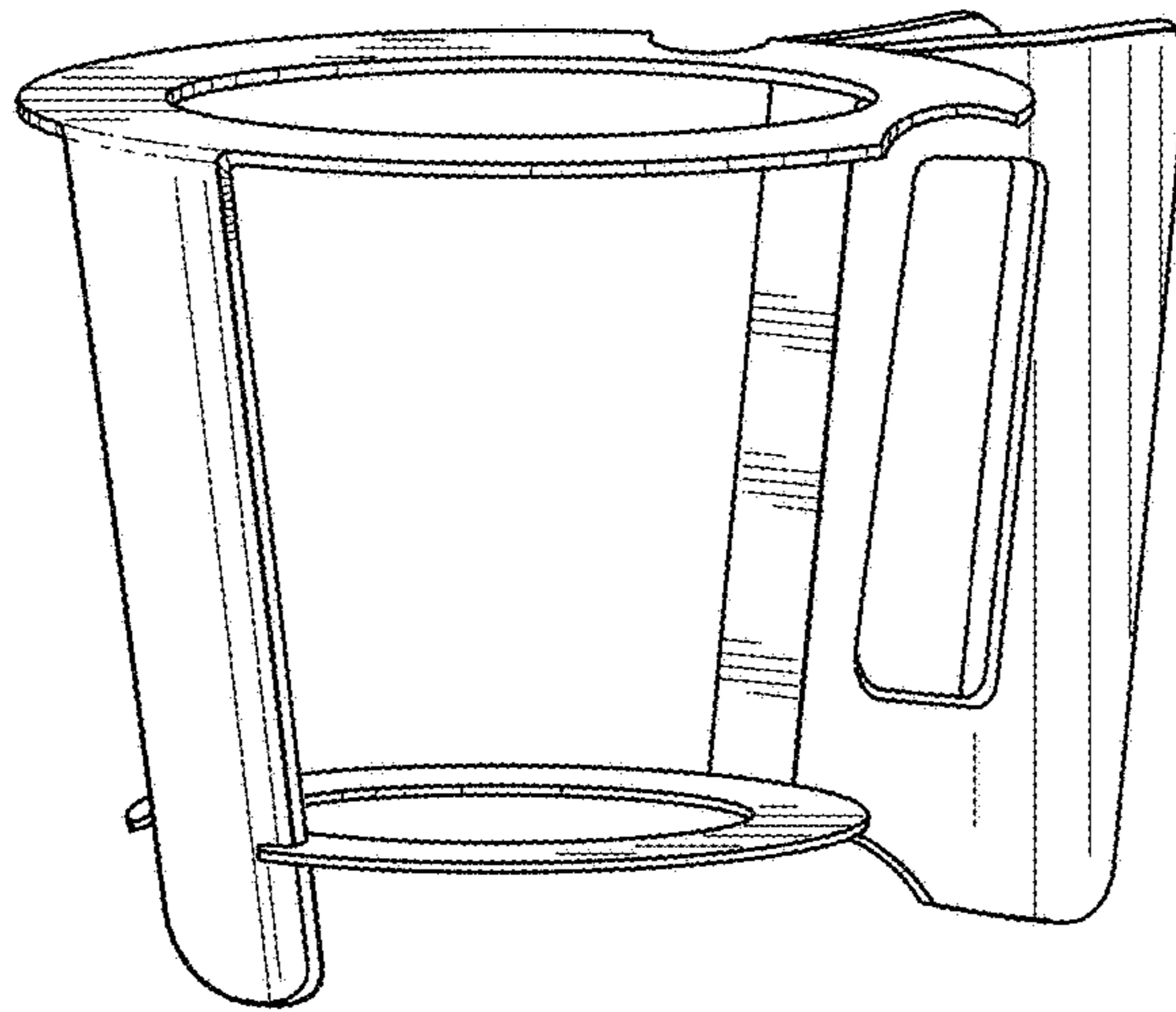


FIG. 2

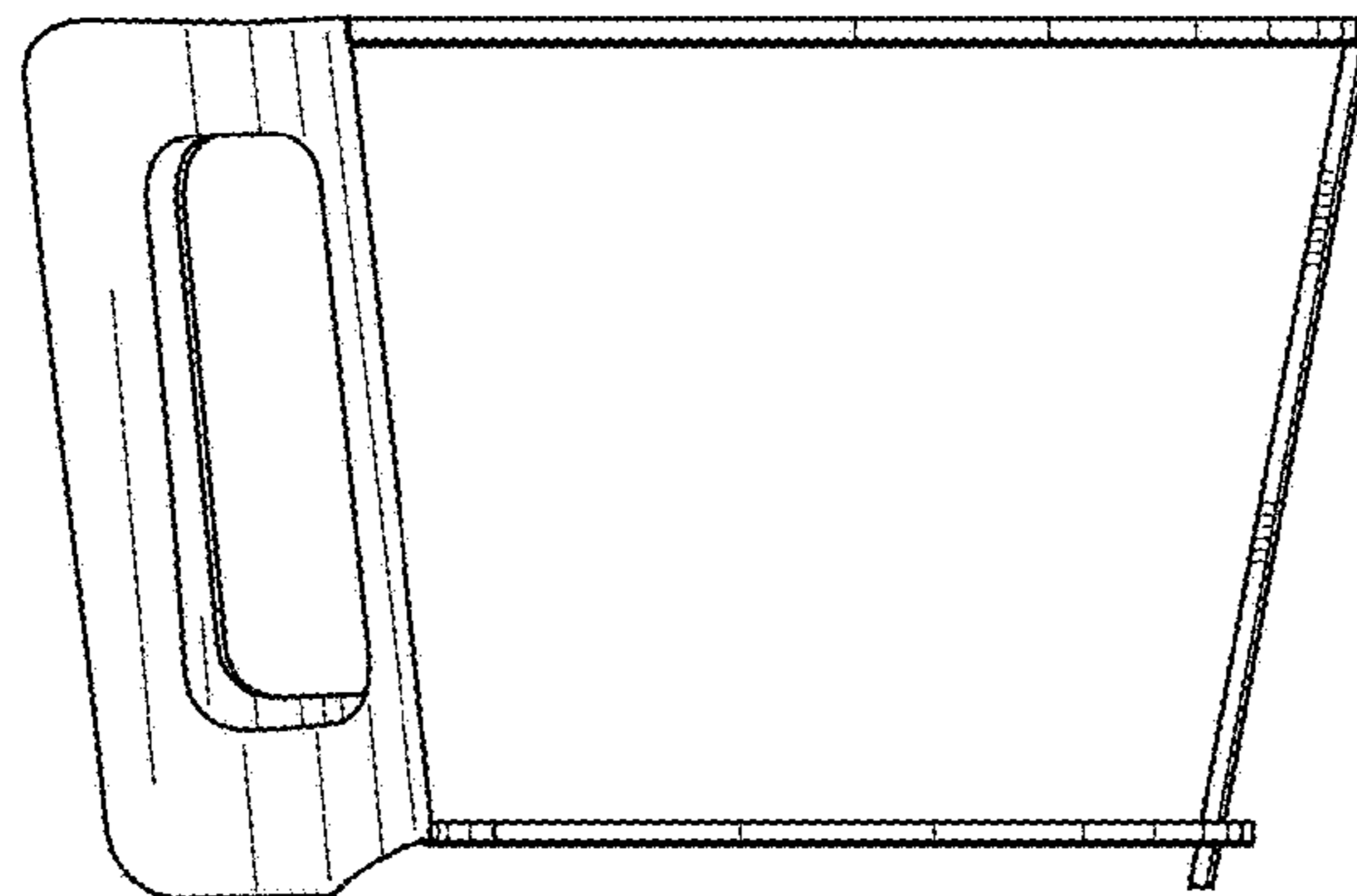


FIG. 3

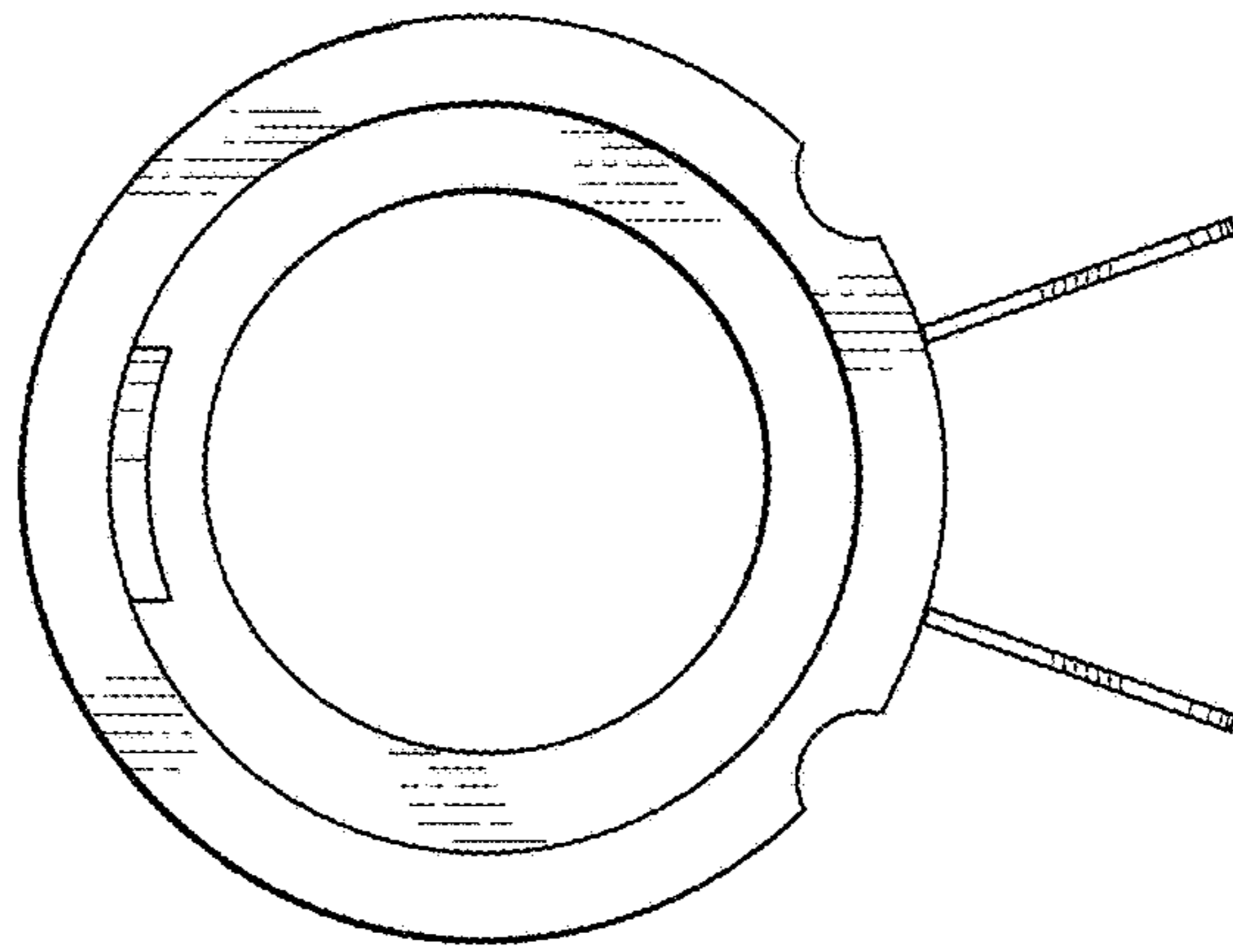


FIG. 4

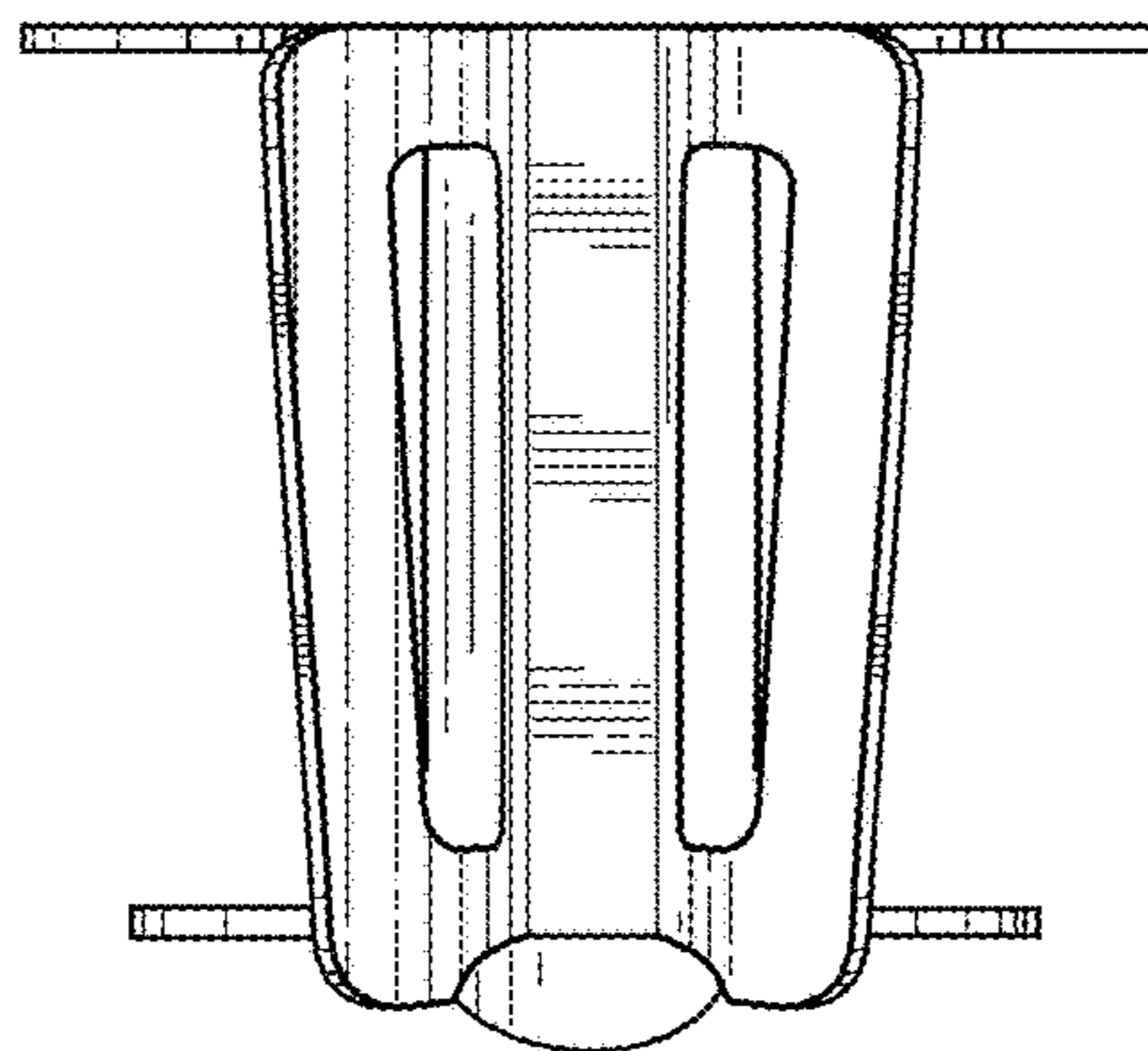


FIG. 5

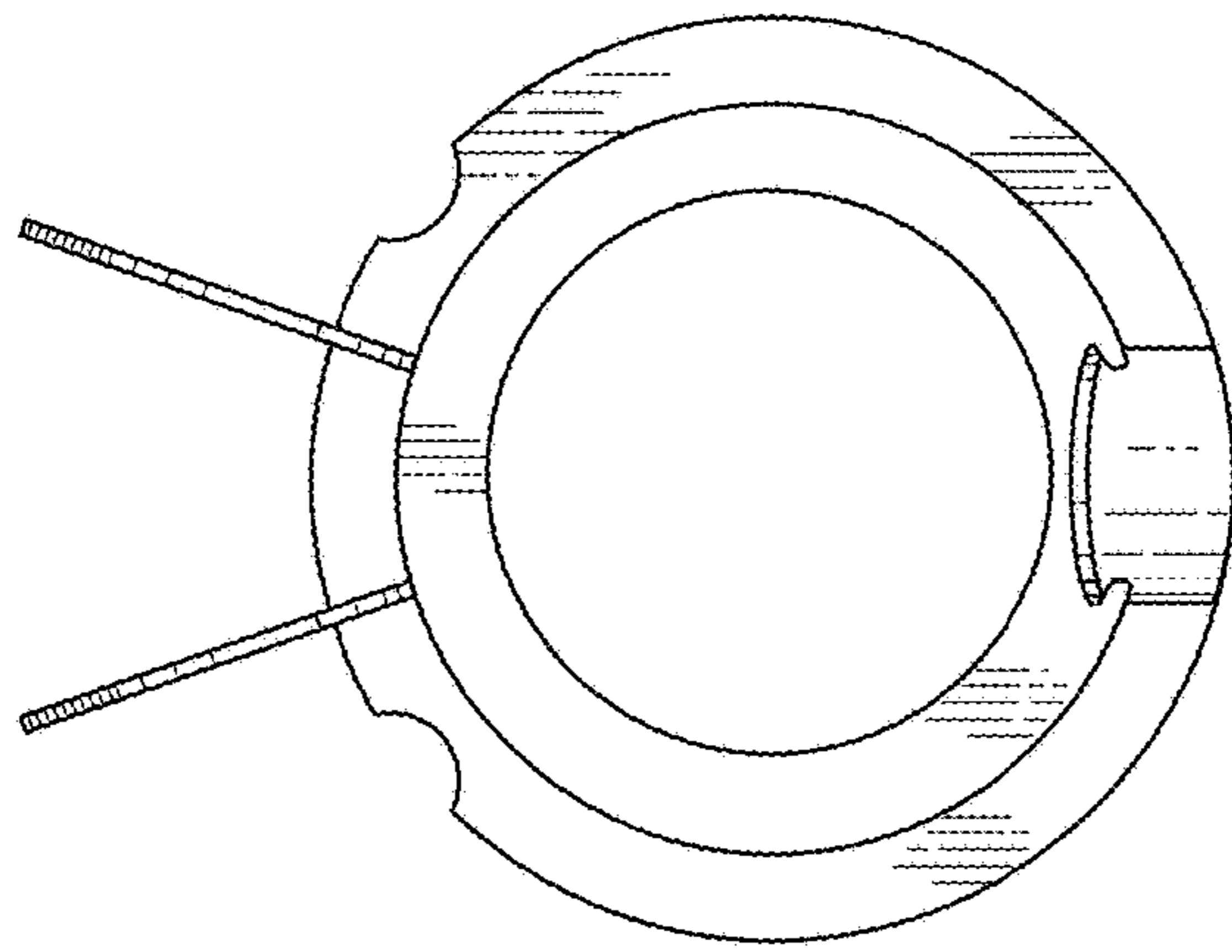


FIG. 6

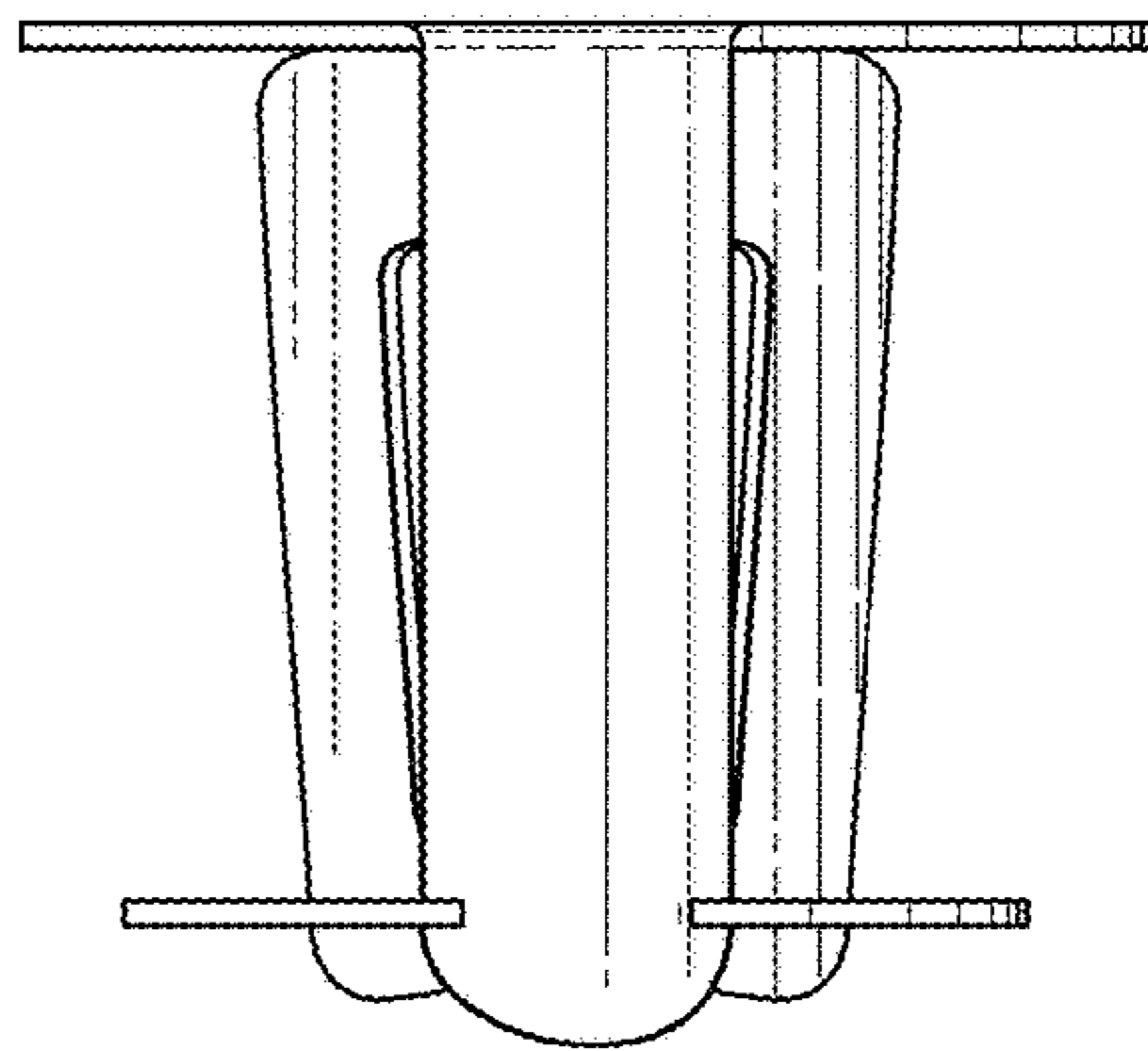


FIG. 7

