



US00D855408S

(12) **United States Design Patent** (10) **Patent No.:** **US D855,408 S**
Tsai (45) **Date of Patent:** **** Aug. 6, 2019**

(54) **SPICE BOTTLE HOLDER**

FOREIGN PATENT DOCUMENTS

(71) Applicant: **Tsung-Yu Tsai**, Changhua (TW)

KR 300553281.0000 * 2/2018

(72) Inventor: **Tsung-Yu Tsai**, Changhua (TW)

OTHER PUBLICATIONS

(**) Term: **15 Years**

Spice Clips, brand not listed, lazytries.com, published by JamieSharp on May 13, 2018 © 2018 LazyTries, online, site visited Dec. 29, 2018. Available from Internet, URL: <https://lazytries.com/15-genius-tips-for-creating-hanging-pantry-storage/> (Year: 2018).*

(21) Appl. No.: **29/630,568**

(22) Filed: **Dec. 21, 2017**

(51) **LOC (12) Cl.** **07-99**

(52) **U.S. Cl.**

USPC **D7/600.1**

(58) **Field of Classification Search**

USPC D7/602, 704-705, 707, 590, 592-597, D7/600.1-600.2, 630-632, 635, 640; D6/524-525, 537, 546, 556, 566, 677.2, D6/692.4-692.5, 696.3, 520, 534-535; 211/30, 106, 106.01, 181.1; D9/681, 761, D9/741, 747, 737-739, 751, 756-758, D9/455-456; D3/306; 206/8, 202, 513; 248/146

CPC .. A47F 5/01; A47F 5/02; A47F 7/0064; A47L 19/04; F16M 11/00; A47K 3/281; A47K 1/09; A47B 55/02; A47G 21/001

See application file for complete search history.

Primary Examiner — Shannon W Morgan

Assistant Examiner — Altaira J Swangin

(74) *Attorney, Agent, or Firm* — Muncy, Geissler, Olds & Lowe, P.C.

(57) **CLAIM**

The ornamental design for a spice bottle holder, as shown and described.

DESCRIPTION

FIG. 1 is a perspective view of a spice bottler holder, showing the new design; FIG. 2 is a front elevational view thereof; FIG. 3 is a rear elevational view thereof; FIG. 4 is a left side elevational view thereof; FIG. 5 is a right side elevational view thereof; FIG. 6 is a top plan view thereof; FIG. 7 is a bottom plan view thereof; and, FIG. 8 is another top, front, right perspective view of the spice bottle holder of FIGS. 1-7, shown with environment. The broken lines in FIGS. 1-3 and 8 illustrate portions of the spice bottle holder which form no part of the claimed design. The remaining broken lines, shown in the FIG. 8 view, are directed to environment, which forms no part of the claimed design.

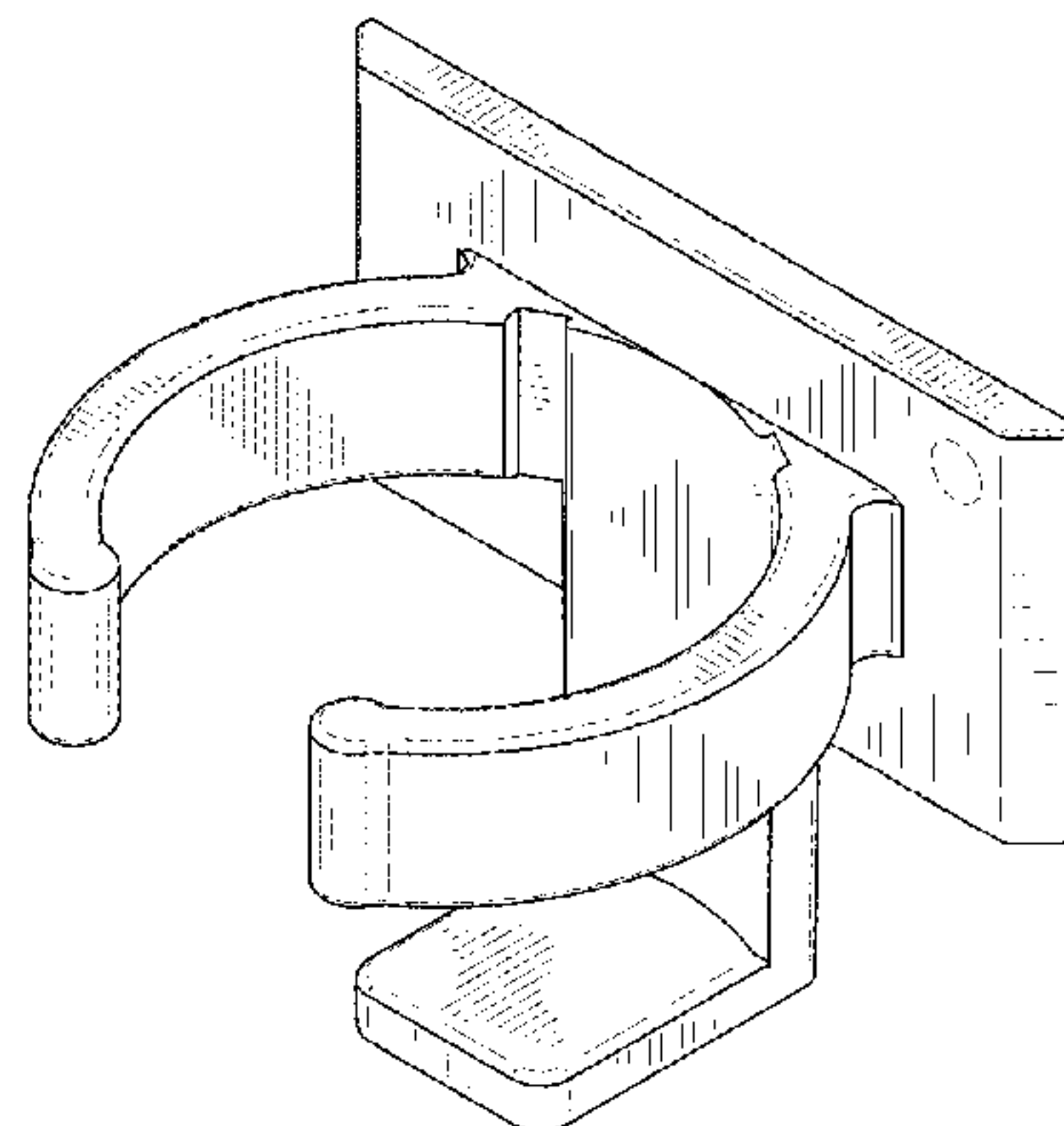
(56) **References Cited**

U.S. PATENT DOCUMENTS

D255,635 S * 7/1980 Valmassei D12/420
D265,351 S * 7/1982 Wooters D12/420
D282,489 S * 2/1986 Huber D24/122
D288,054 S * 2/1987 Schulte D12/411
D289,961 S * 5/1987 Hentrich D7/620
D291,168 S * 8/1987 Cranford D7/620
4,749,112 A * 6/1988 Harper A47G 23/0225
224/482
D332,401 S * 1/1993 Araujo, Jr. D9/434
5,320,263 A * 6/1994 Kobylack A63B 57/203
224/274
5,601,268 A * 2/1997 Dunchock B60N 3/102
224/926
5,603,477 A * 2/1997 Deutsch B60N 3/102
248/292.12

(Continued)

1 Claim, 8 Drawing Sheets



(56)

References Cited

U.S. PATENT DOCUMENTS

D379,288 S *	5/1997	Azar	D7/620	D747,628 S *	1/2016	Kowalczyk	D6/515
D431,466 S *	10/2000	Wang	D7/619.1	D754,001 S *	4/2016	Barrier	D7/622
D473,760 S *	4/2003	Perez	D7/620	D763,627 S *	8/2016	Thompson	D7/600.1
D476,569 S *	7/2003	Simkins	D9/455	D779,280 S *	2/2017	Knowlton	D7/600.1
D510,015 S *	9/2005	Hostetler	D8/373	D781,710 S *	3/2017	Kudrowitz	D8/356
D564,351 S *	3/2008	Leclerc	D9/434	9,776,721 B2 *	10/2017	Alford	B64D 11/00
D567,650 S *	4/2008	Leoncavallo	D9/434	10,104,986 B2 *	10/2018	Schaefer	A47F 5/08
D592,508 S *	5/2009	Perignon	D9/434	D836,431 S *	12/2018	Frost	D8/396
D592,509 S *	5/2009	Lecoutre	D9/434	2003/0160060 A1 *	8/2003	Hornblad	A47F 5/02
D612,691 S *	3/2010	Barnes, Jr.	D7/620				221/256
7,669,742 B2 *	3/2010	Rush	A45F 5/00	2004/0099624 A1 *	5/2004	Hein	A47L 13/512
			102/336				211/89.01
D614,480 S *	4/2010	Goodman	D8/372	2004/0118798 A1 *	6/2004	Spiers	A47F 7/0028
D616,272 S *	5/2010	Goodman	D7/704				211/89.01
D636,266 S *	4/2011	Walker	B65D 83/203	2007/0051764 A1 *	3/2007	Sturt	B60R 7/04
			D9/455				224/539
D637,457 S *	5/2011	Thompson	D7/600.1	2007/0152120 A1 *	7/2007	Hostetler	A62B 9/04
D690,997 S *	10/2013	Zemel	D7/590				248/206.3
				2013/0026121 A1 *	1/2013	Thompson	A47J 47/16
							211/85.18

* cited by examiner

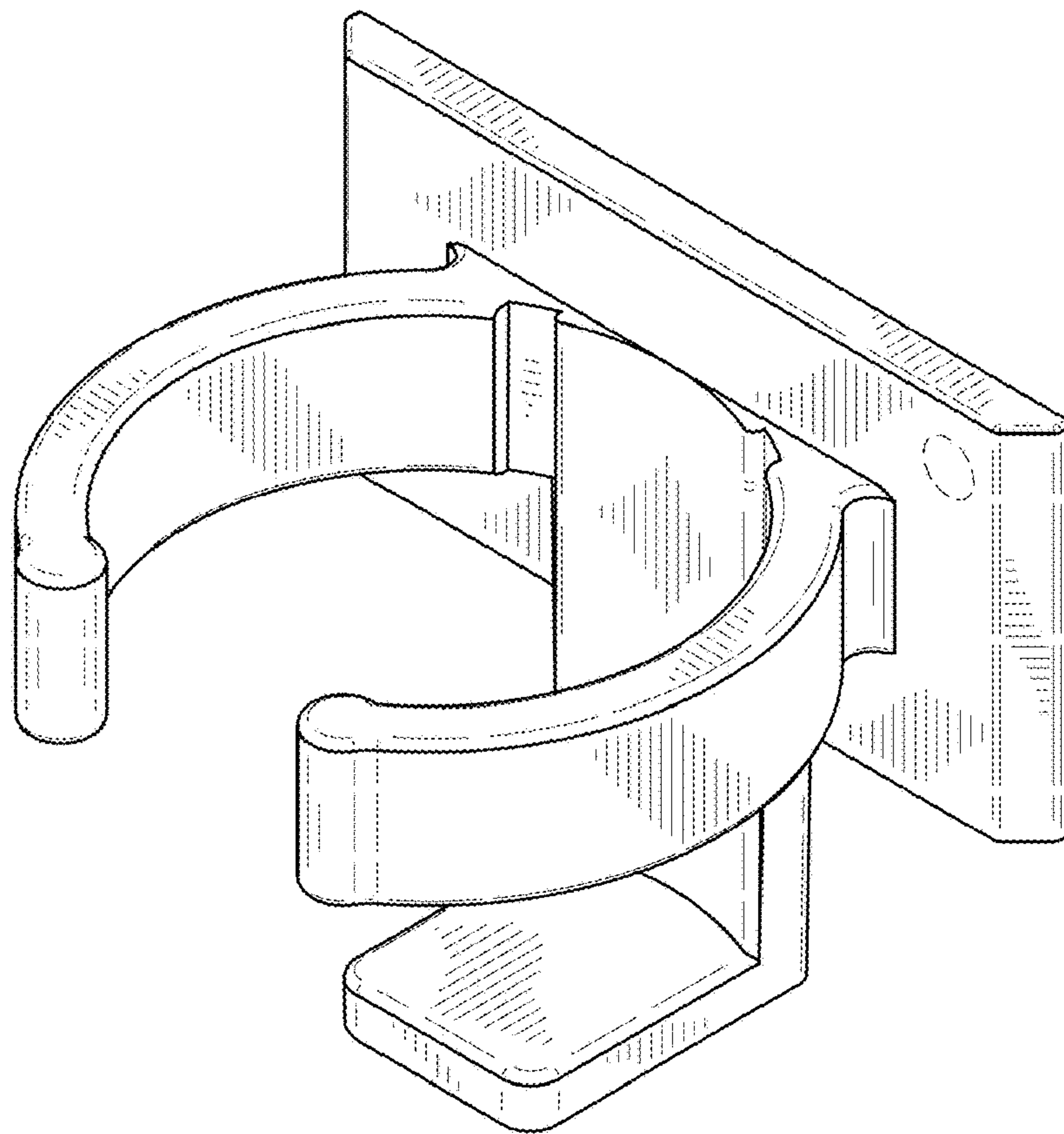


FIG. 1

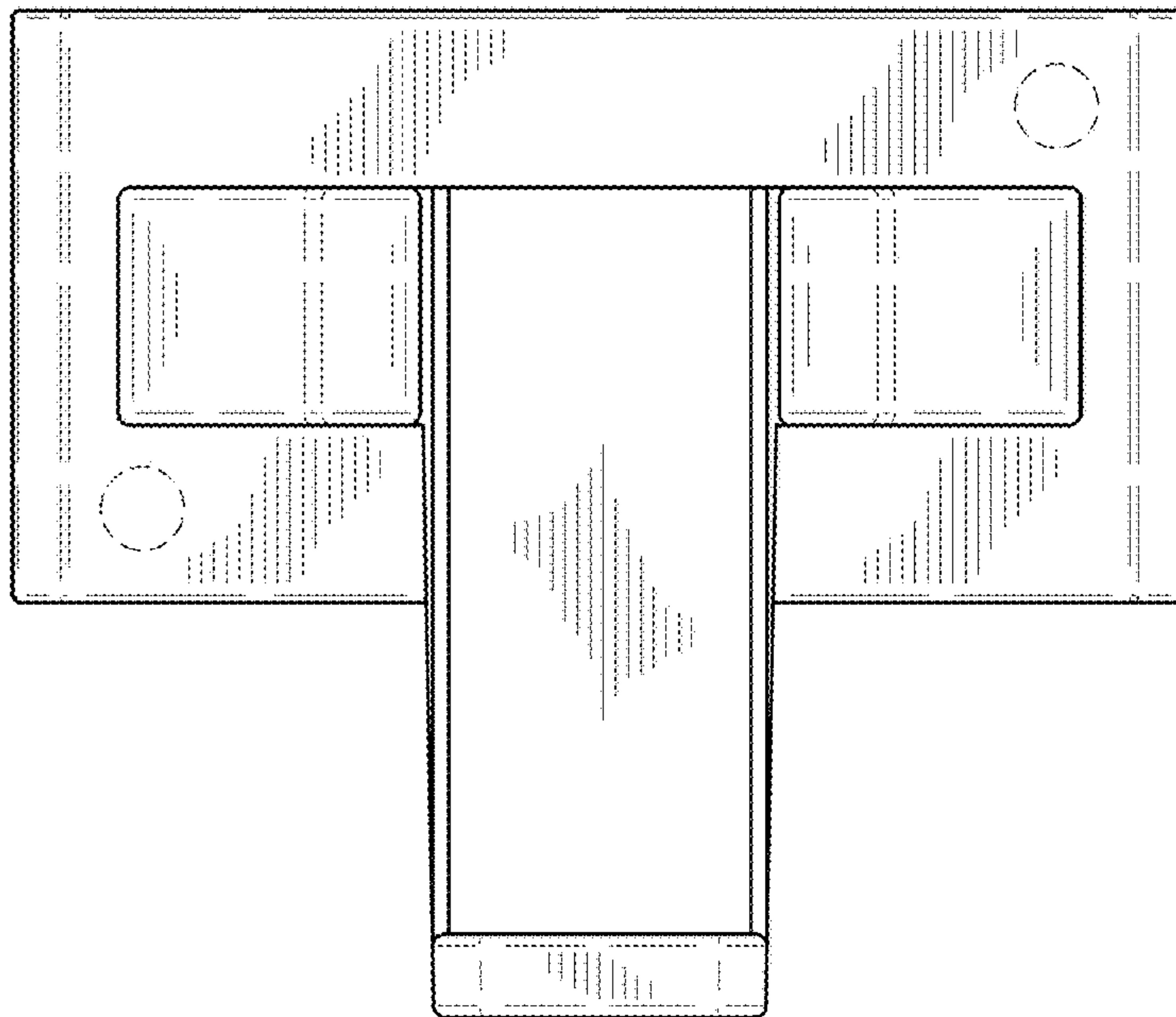


FIG. 2

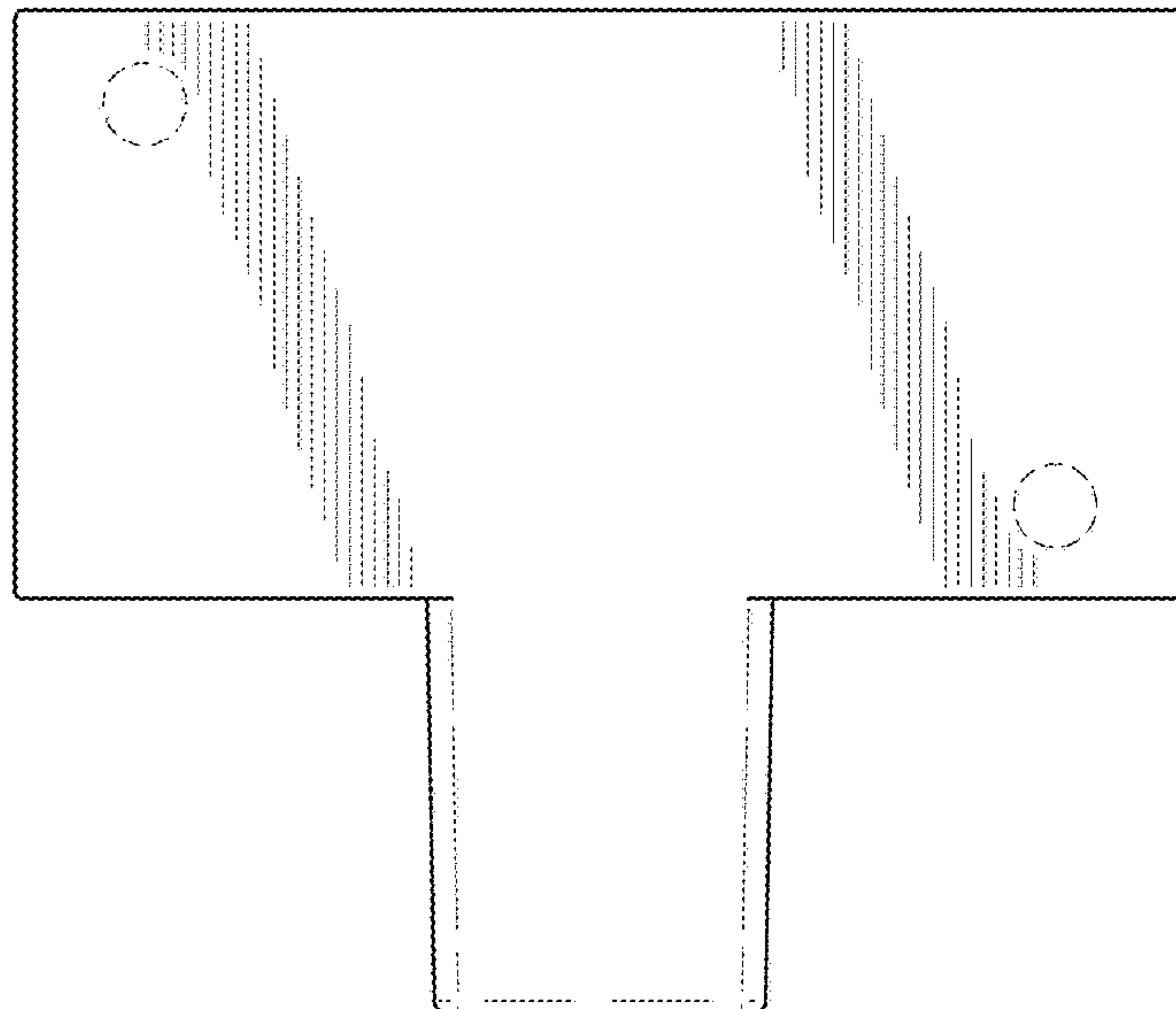


FIG. 3

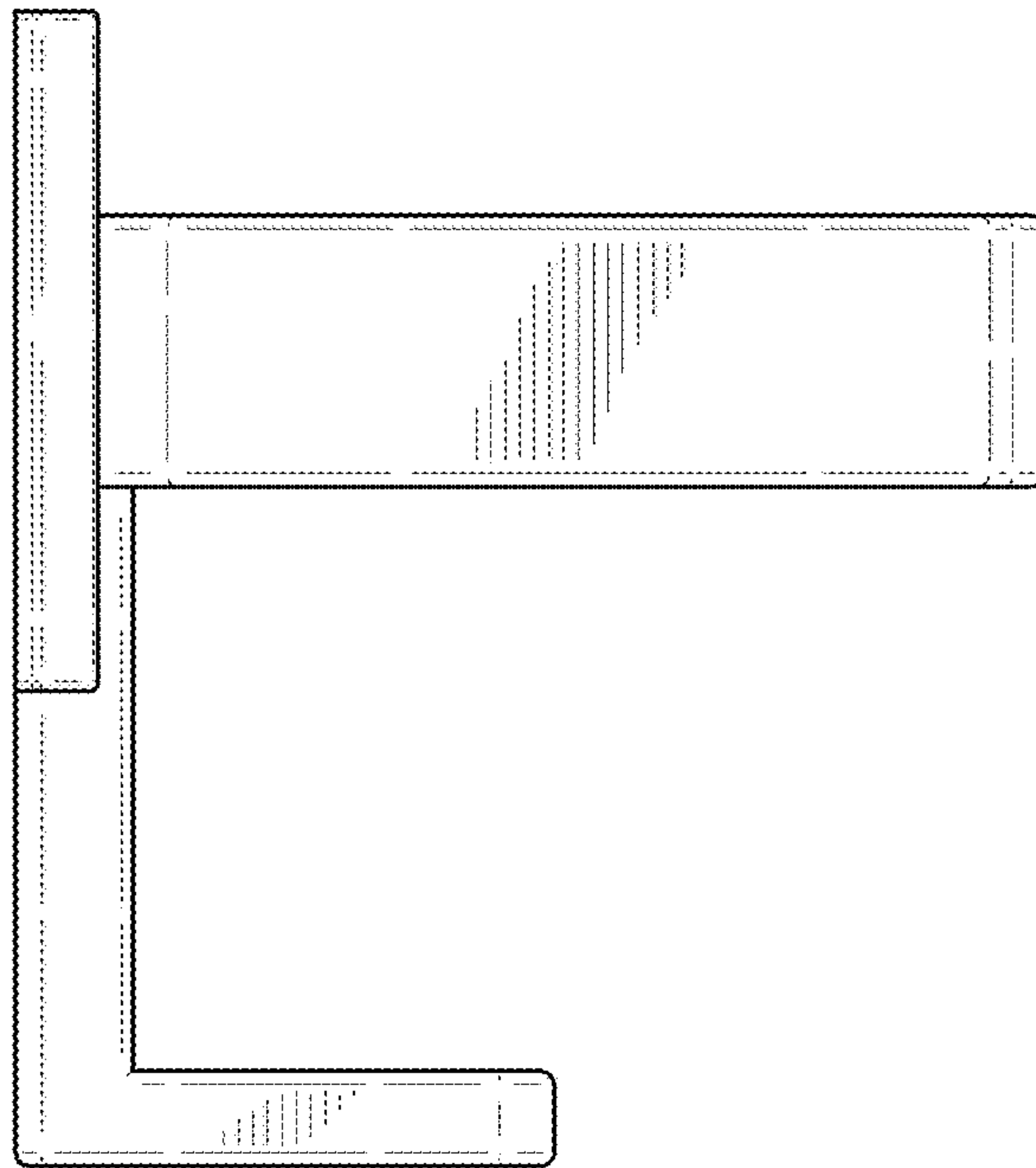


FIG. 4

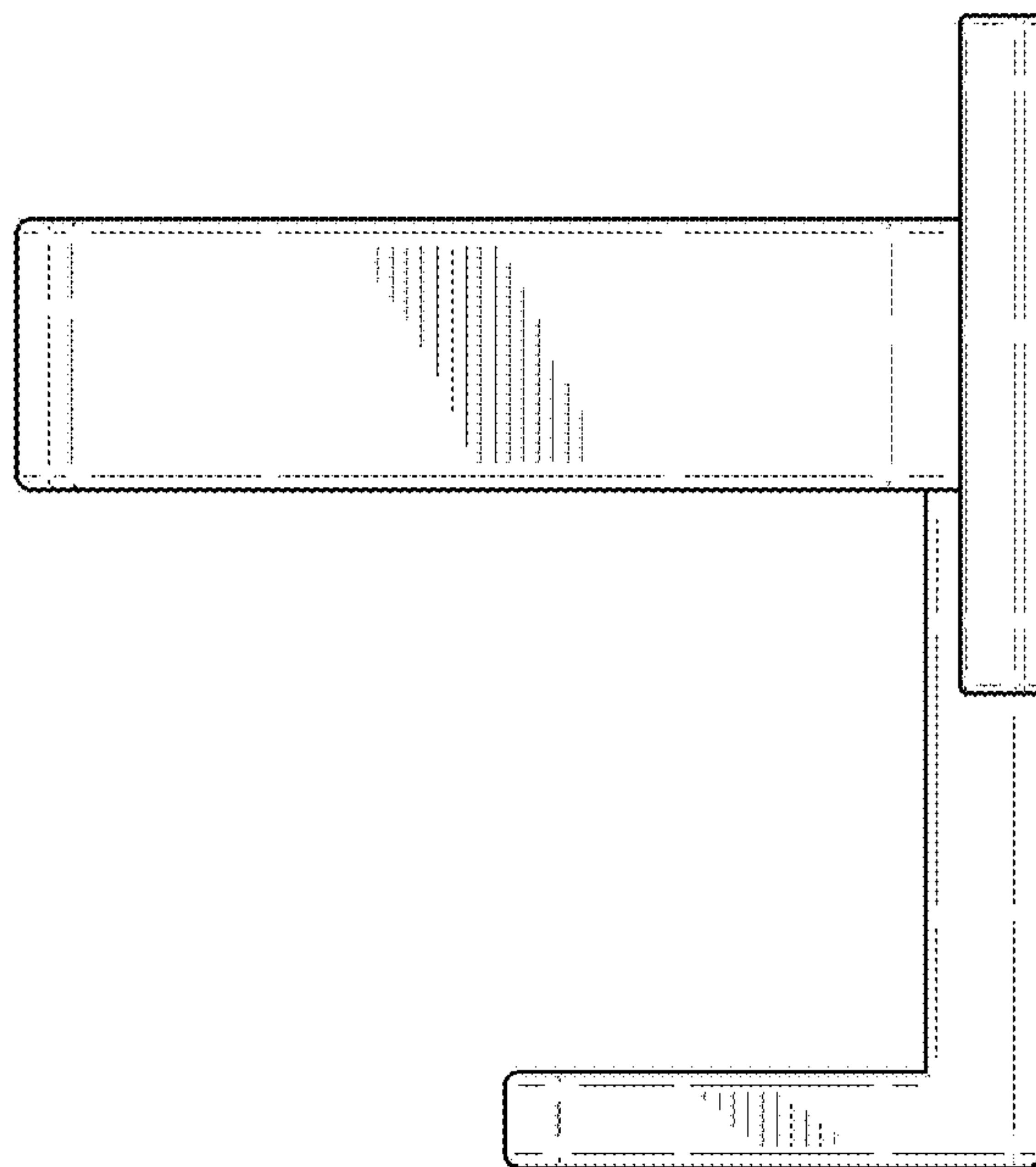


FIG. 5

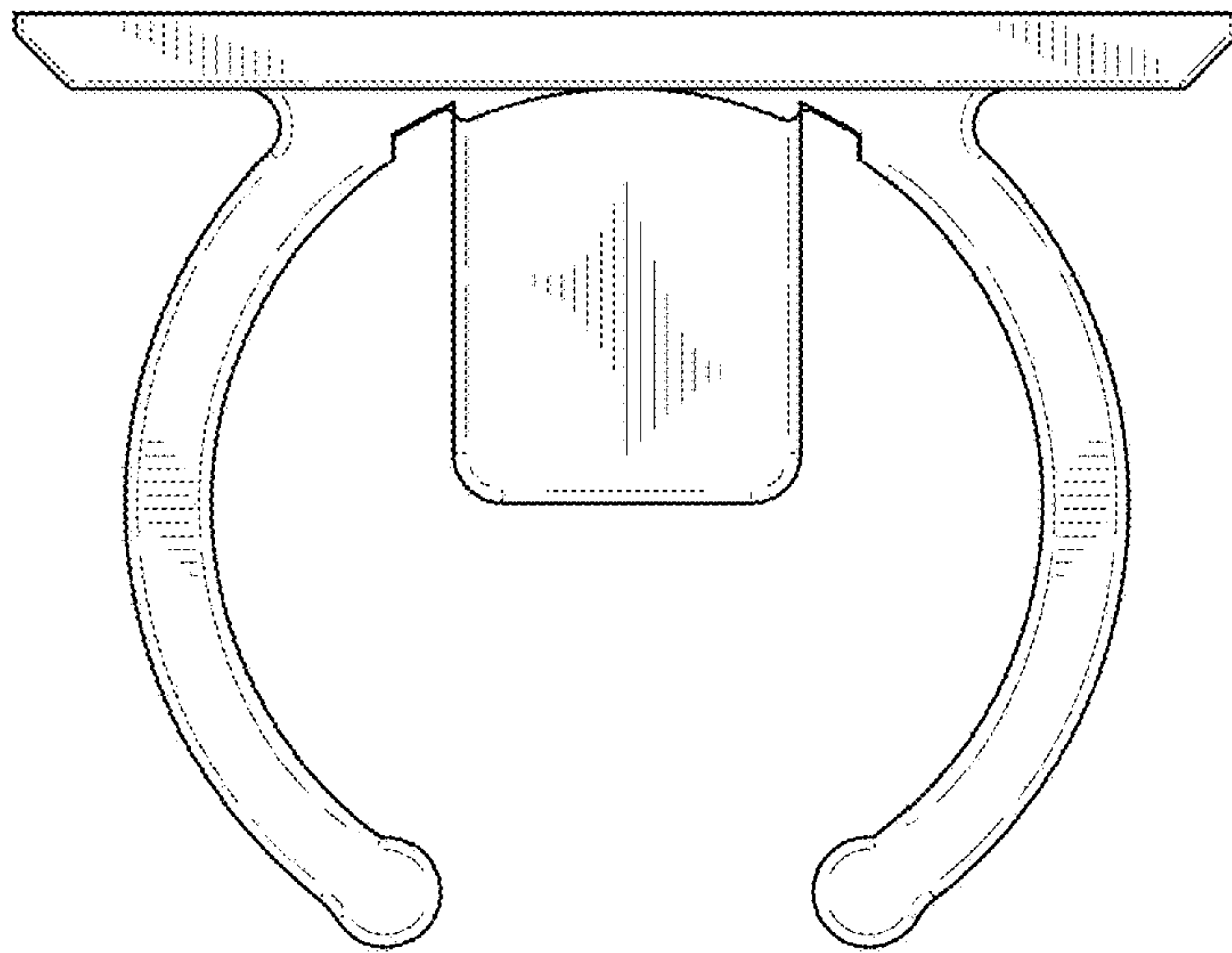


FIG. 6

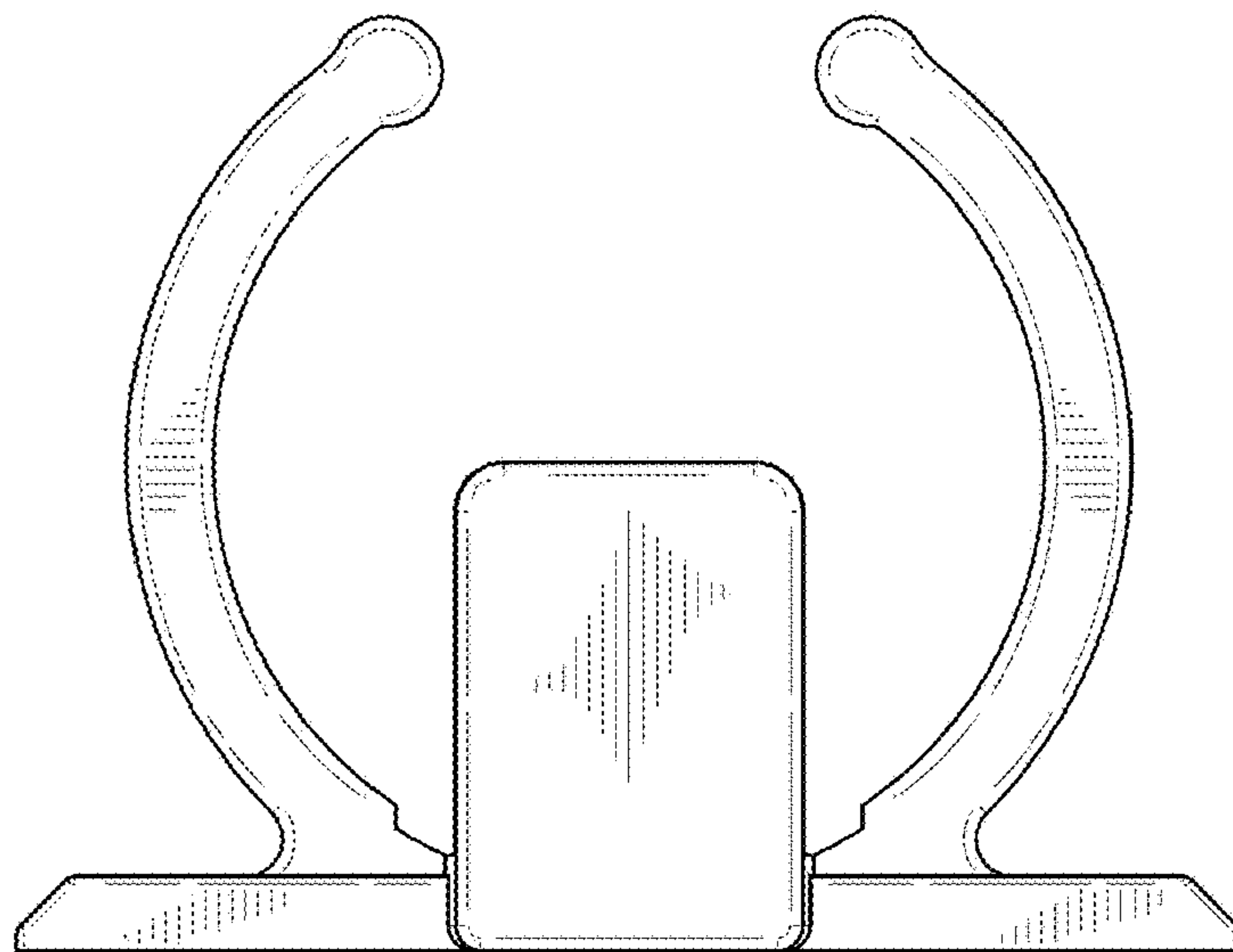


FIG. 7

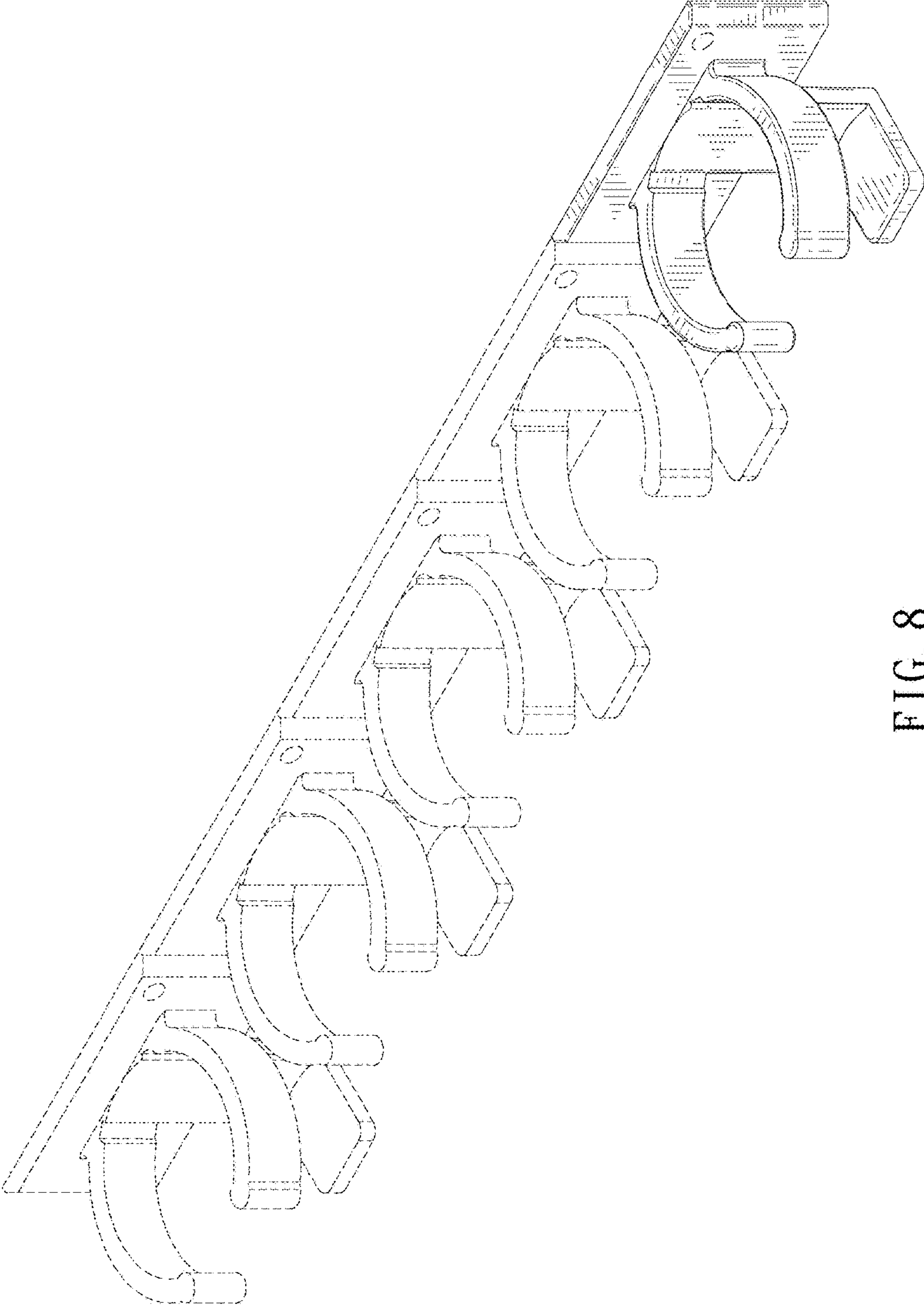


FIG. 8