



US00D855404S

(12) **United States Design Patent** (10) **Patent No.:** **US D855,404 S**
Kang (45) **Date of Patent:** **** Aug. 6, 2019**

(54) **MARTINI GLASS**

(71) Applicant: **Julie Ann Stevens Kang**, Santa Monica, CA (US)

(72) Inventor: **Julie Ann Stevens Kang**, Santa Monica, CA (US)

(**) Term: **15 Years**

(21) Appl. No.: **29/670,919**

(22) Filed: **Nov. 20, 2018**

Related U.S. Application Data

(62) Division of application No. 29/602,837, filed on May 3, 2017.

(51) **LOC (12) Cl.** **07-01**

(52) **U.S. Cl.**
USPC **D7/524; D7/525; D7/528**

(58) **Field of Classification Search**
USPC D7/505, 507, 509, 510, 511, 523, 530, D7/531, 532, 300.1, 512, 513, 396.1, D7/396.2, 552.2, 553.6, 584, 672, 554.3, D7/557, 560, 562, 635, 524-528; 220/592.16, 592.17; D9/453, 570, 557, D9/556, 569; D10/46.2; D11/143, 144, D11/153, 152; D26/9
CPC A47G 19/22; A47G 19/2205; A47G 19/2266; A47G 19/2227; B65D 1/265; B65D 3/06; A45F 3/20
See application file for complete search history.

(56) **References Cited**

U.S. PATENT DOCUMENTS

D115,519	S	*	7/1939	Moreau	D7/524
D407,947	S	*	4/1999	Barth	D7/521
D464,231	S	*	10/2002	Crowley	D7/396.2
D614,917	S	*	5/2010	Calco	D7/509
D659,476	S	*	5/2012	Guillot	D7/524
D685,610	S	*	7/2013	Bangert	D7/524
D781,108	S	*	3/2017	Pang	D7/524
2005/0242102	A1	*	11/2005	Groppo	A47G 19/2205 220/669

* cited by examiner

Primary Examiner — Marianne N Pandozzi

Assistant Examiner — Jae Liang

(74) *Attorney, Agent, or Firm* — Quickpatents, LLC; Kevin Prince

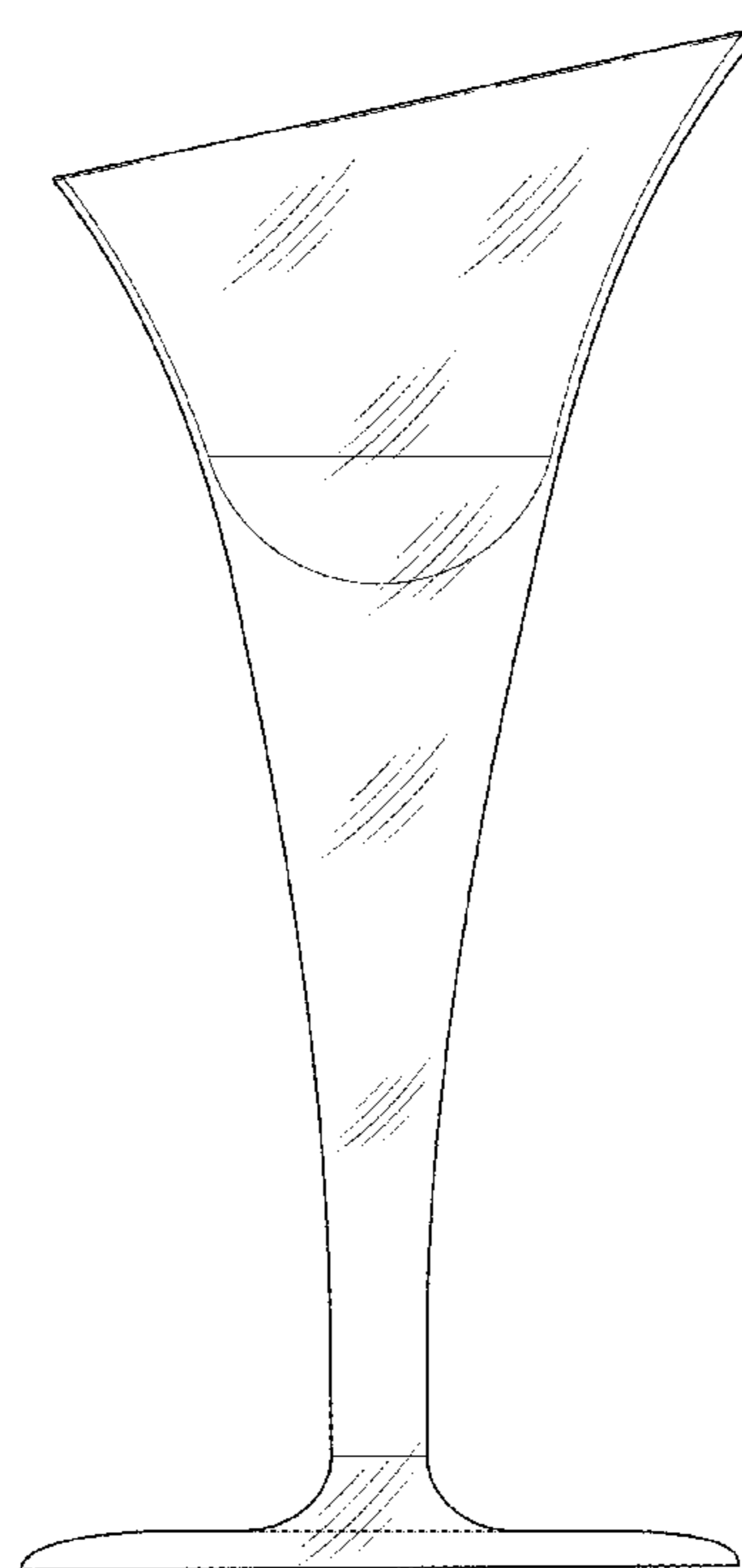
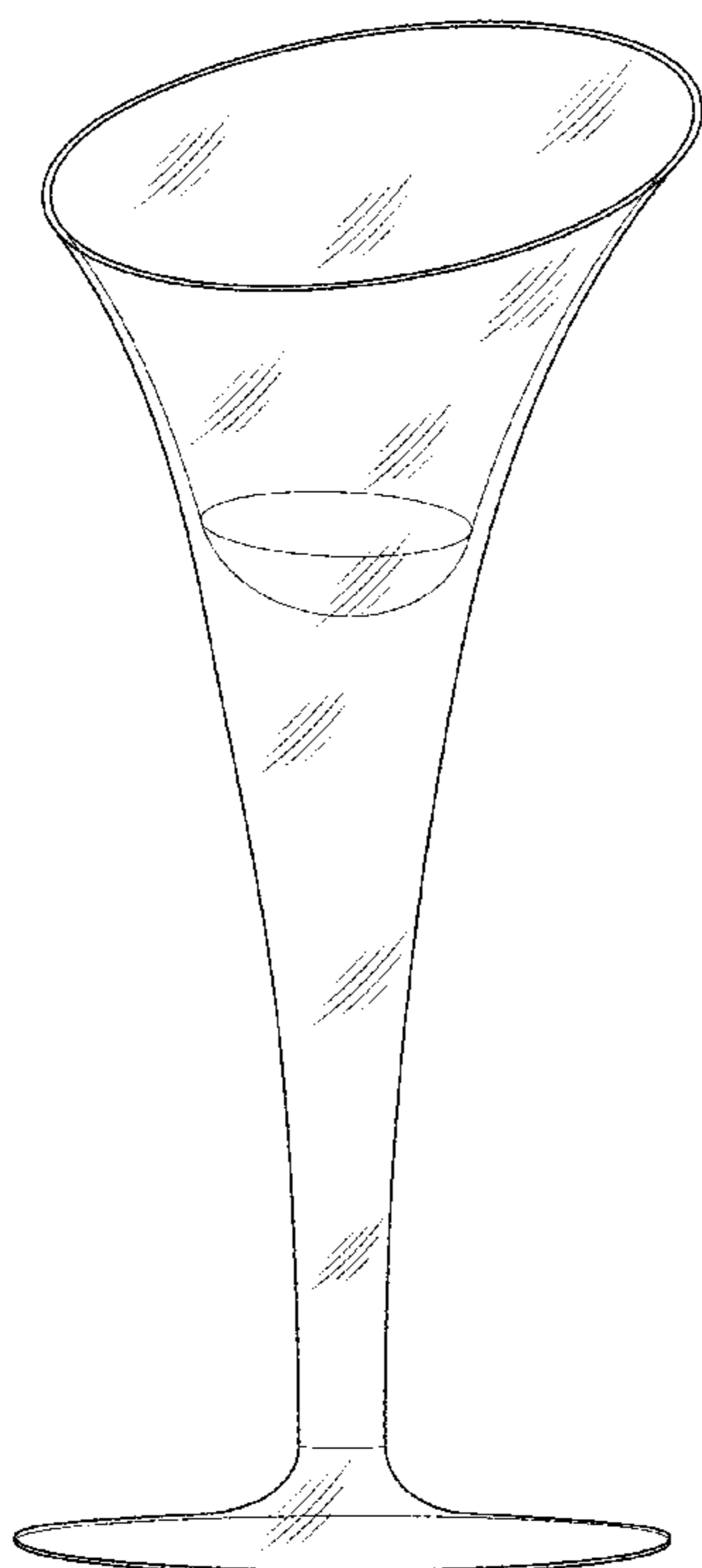
(57) **CLAIM**

The ornamental design for a martini glass, as shown and described.

DESCRIPTION

FIG. 1 is a perspective view of a martini glass, showing my new design;
FIG. 2 is a front elevational view thereof;
FIG. 3 is a rear elevational view thereof;
FIG. 4 is a left-side elevational view thereof;
FIG. 5 is a right-side elevational view thereof;
FIG. 6 is a top plan view thereof; and,
FIG. 7 is a bottom plan view thereof.

1 Claim, 6 Drawing Sheets



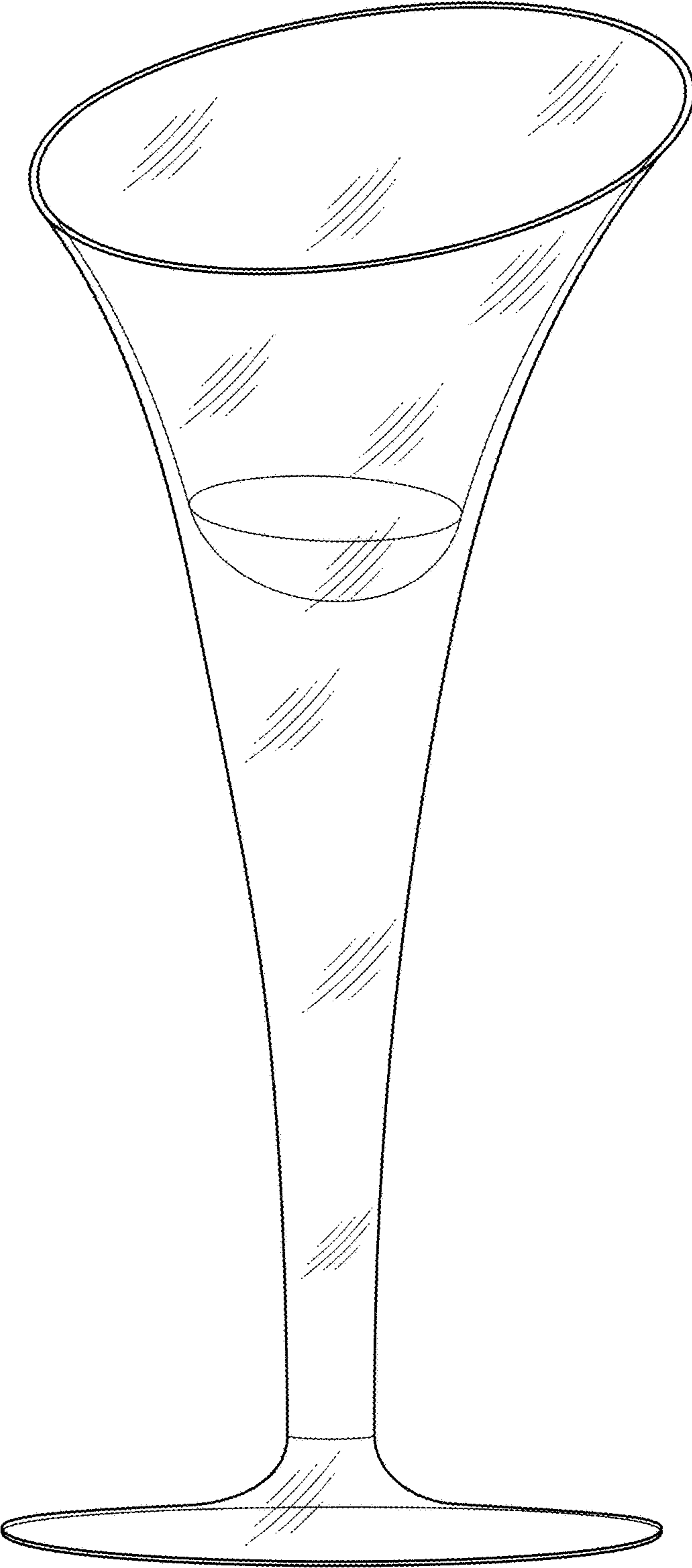


FIG. 1

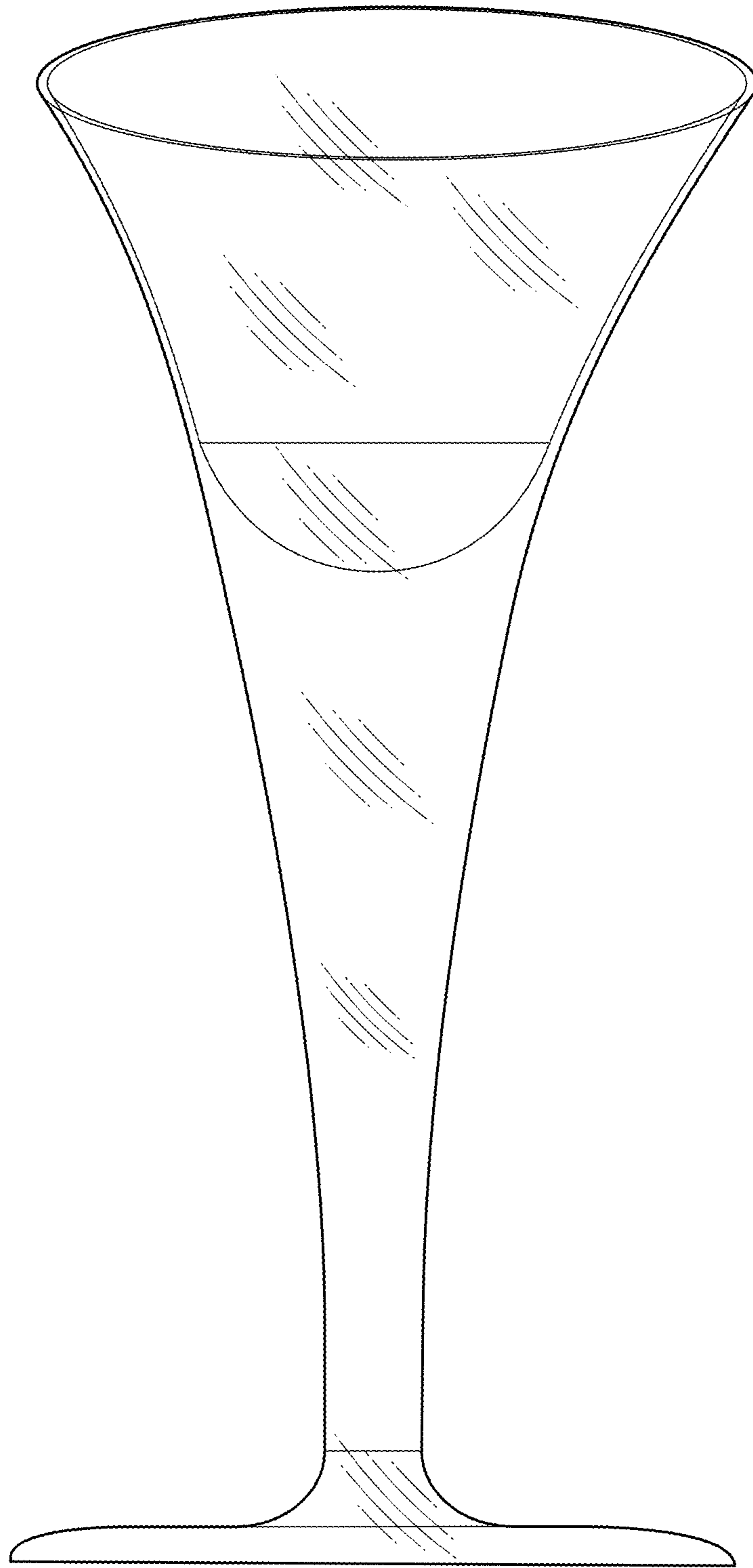


FIG. 2

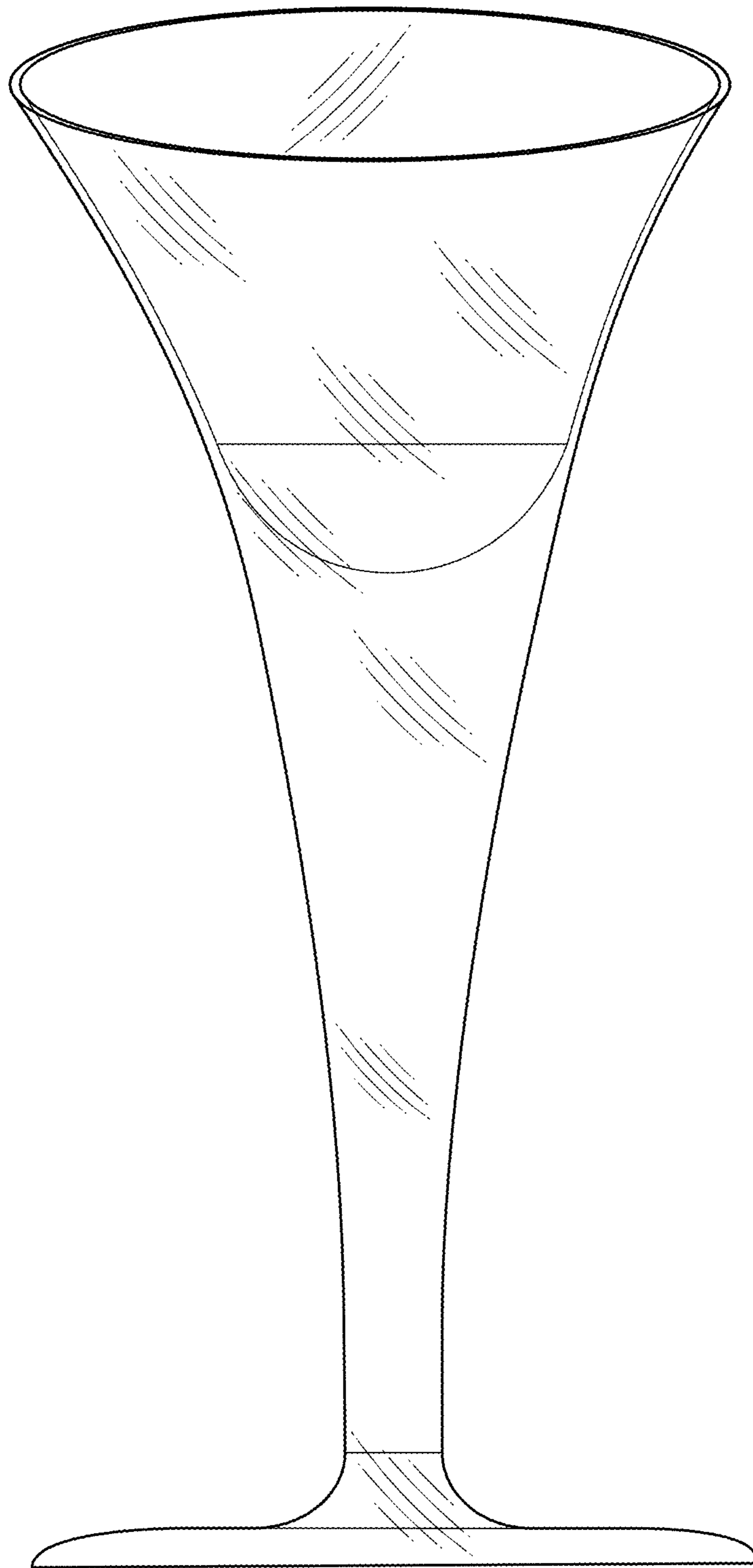


FIG. 3

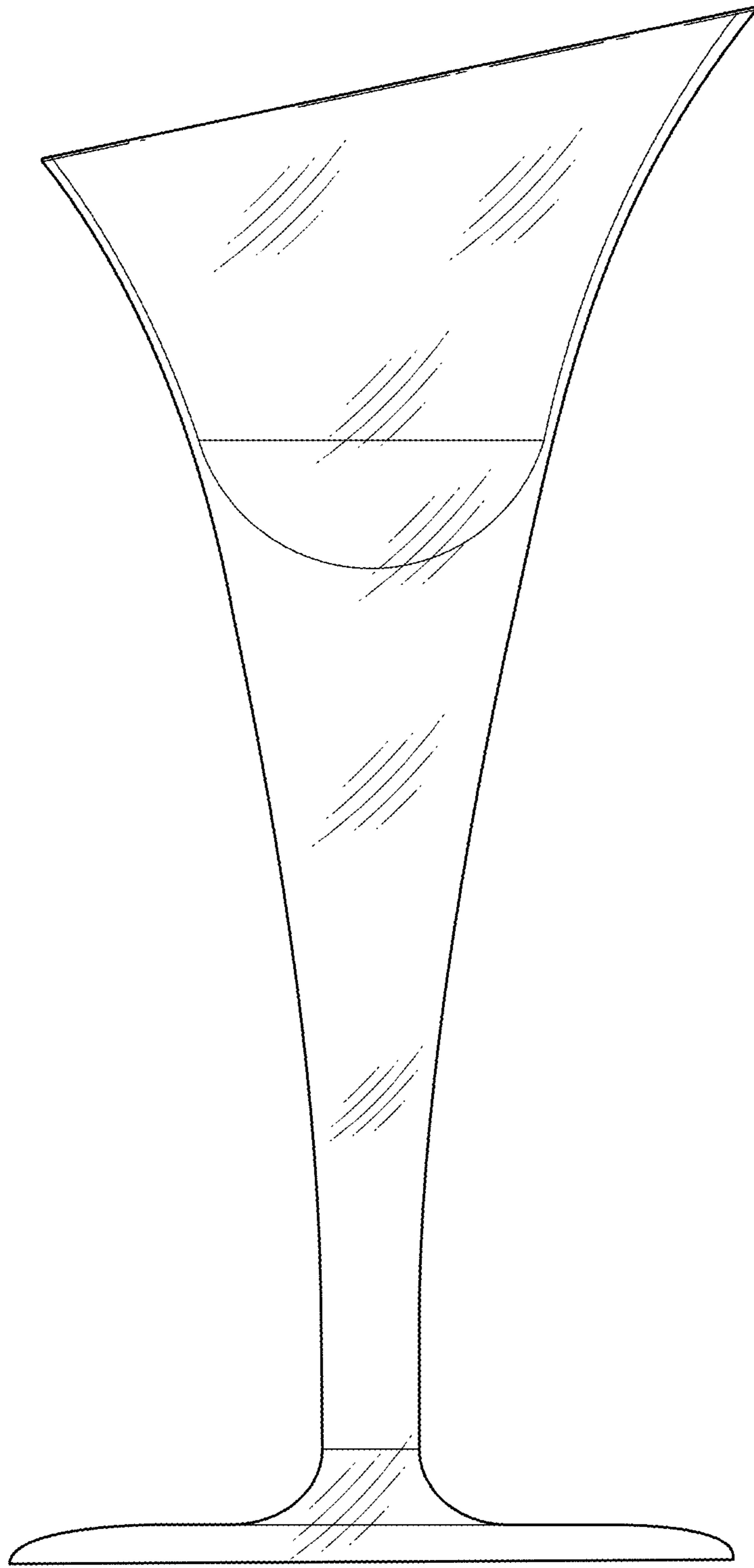


FIG. 4

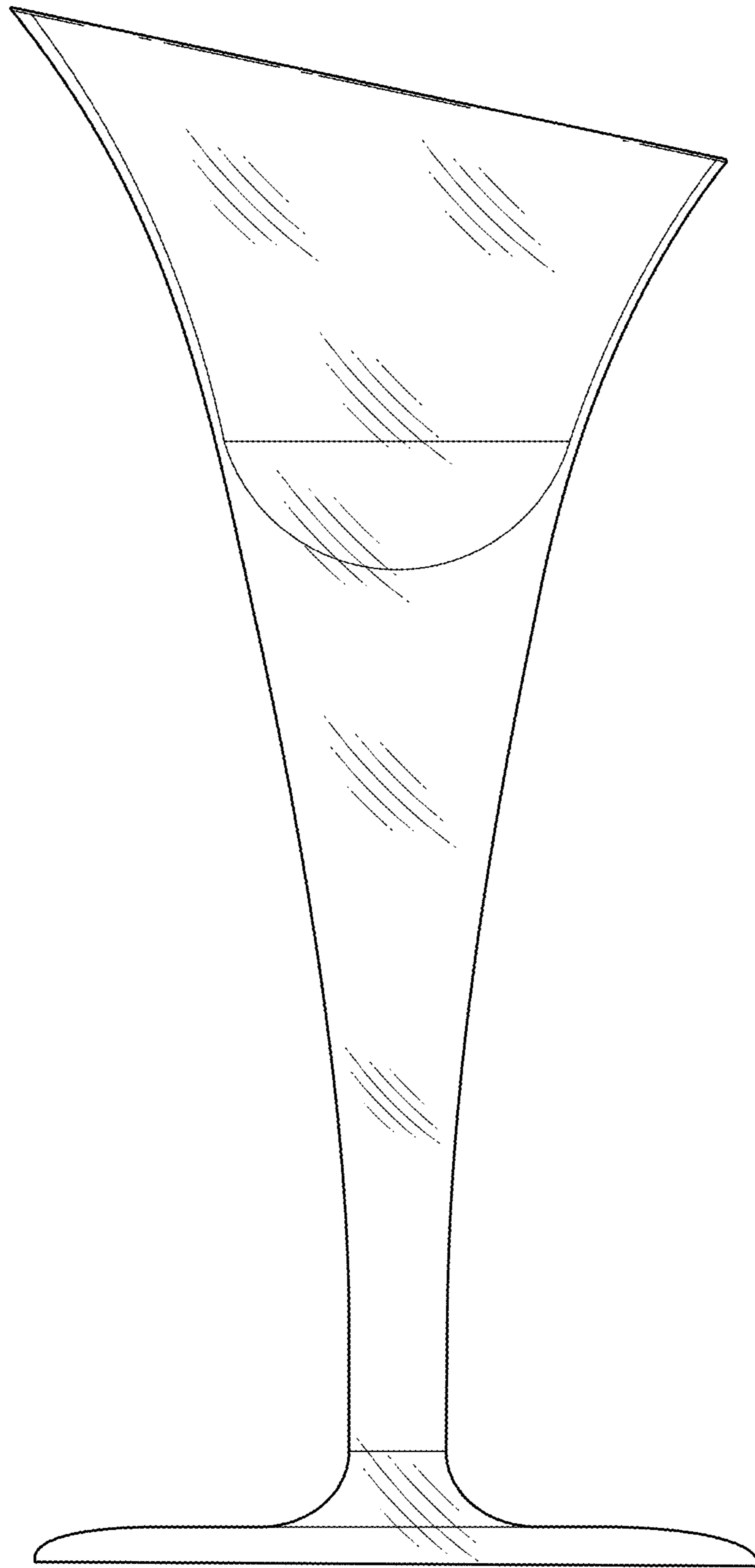


FIG. 5

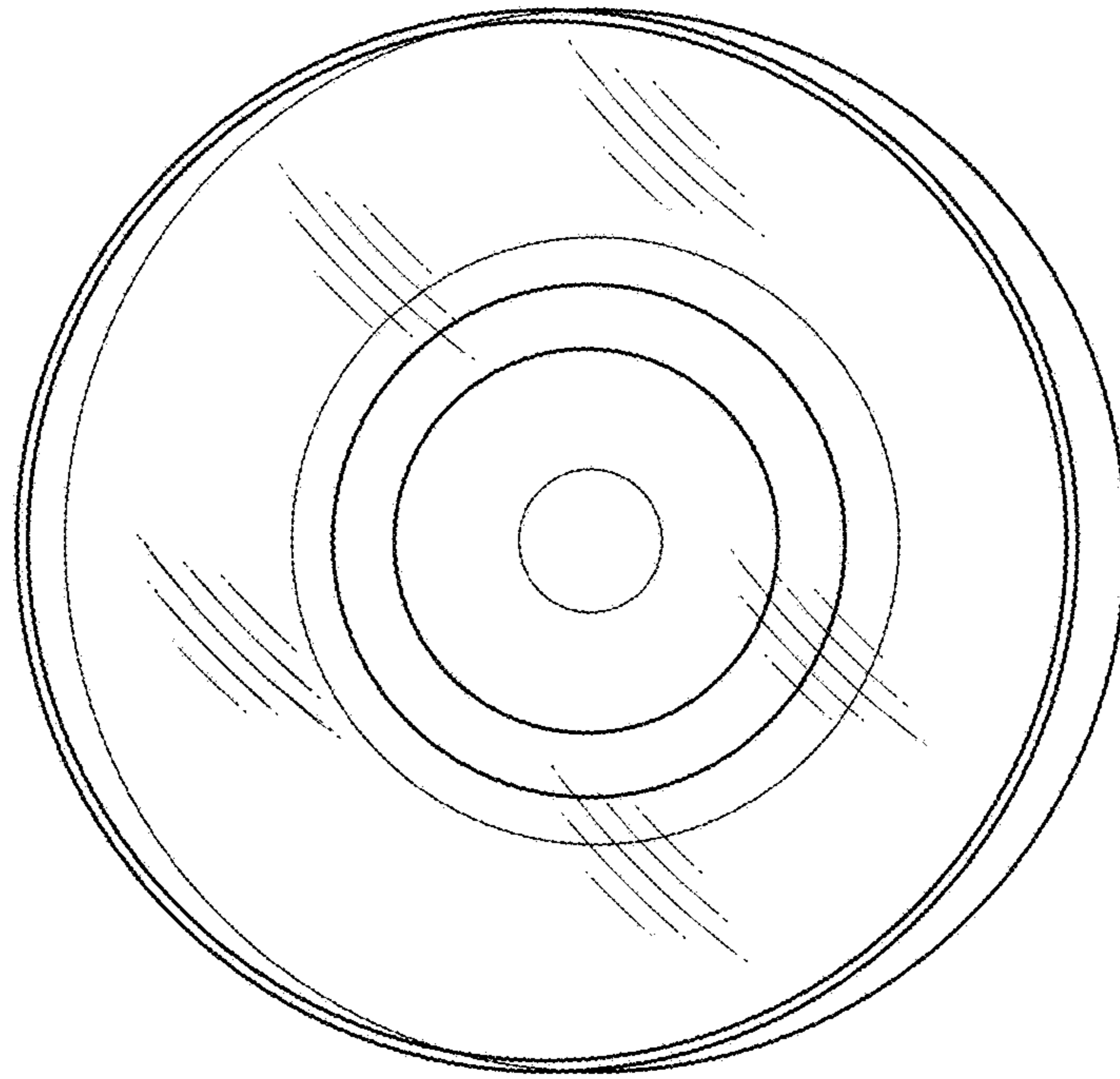


FIG. 6

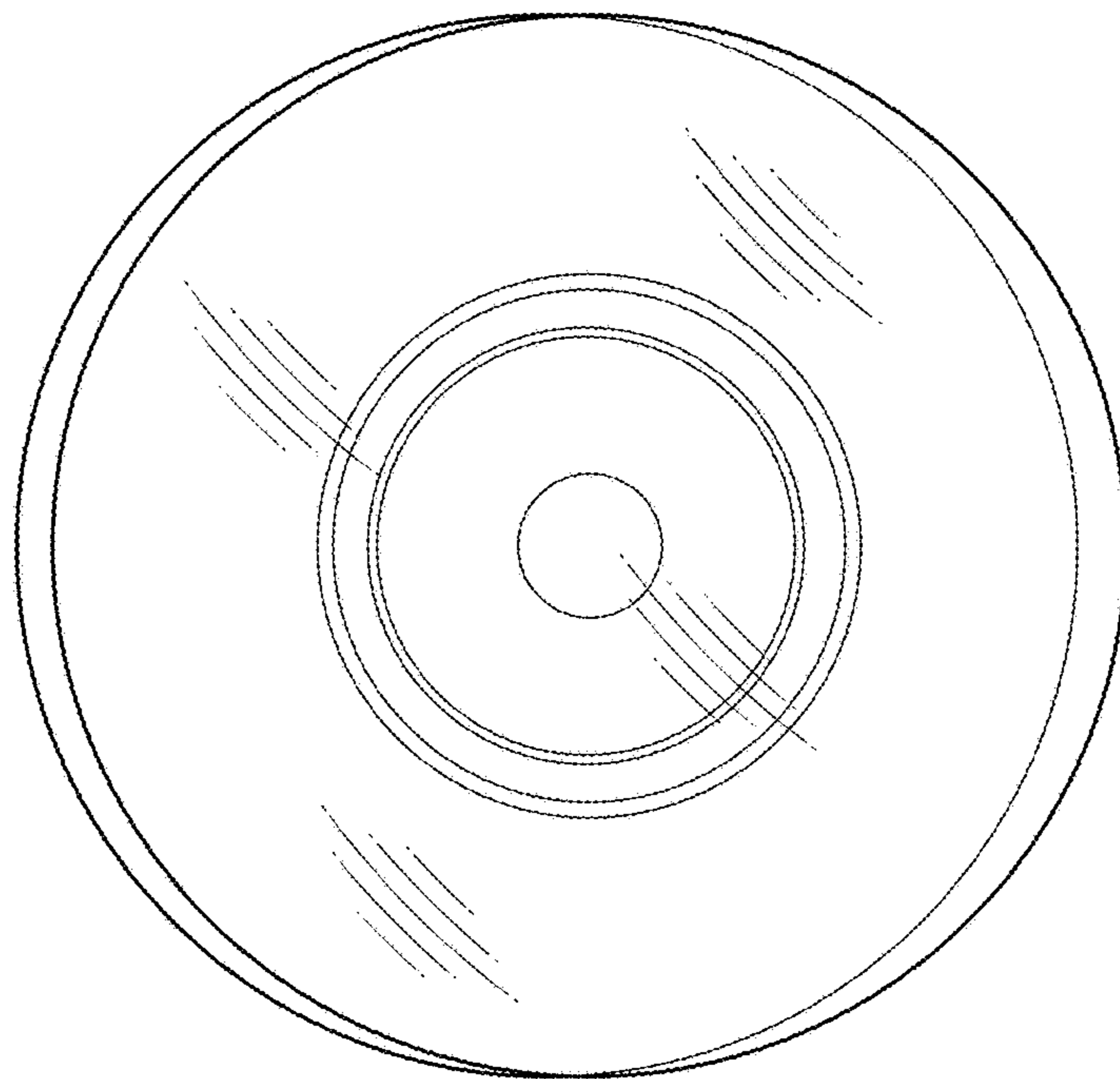


FIG. 7