



US00D855403S

(12) **United States Design Patent**
Steinmann

(10) **Patent No.:** **US D855,403 S**

(45) **Date of Patent:** **** Aug. 6, 2019**

(54) **PORTABLE BEVERAGE CONTAINER**

(71) Applicant: **Hydrovaze LLC**, Laguna Niguel, CA
(US)

(72) Inventor: **Hardy Steinmann**, Laguna Niguel, CA
(US)

(73) Assignee: **Hydrovaze LLC**, Laguna Niguel, CA
(US)

(**) Term: **15 Years**

(21) Appl. No.: **29/635,220**

(22) Filed: **Jan. 29, 2018**

Related U.S. Application Data

(63) Continuation of application No. 29/563,459, filed on
May 4, 2016, now Pat. No. Des. 821,146.

(51) **LOC (12) Cl.** **07-01**

(52) **U.S. Cl.**

USPC **D7/510; D7/511; D7/523**

(58) **Field of Classification Search**

USPC D7/507, 509, 510, 511, 523, 529, 530,
D7/531, 532, 533, 536, 608, 598, 300.1,
D7/320, 629, 392.1, 396.2, 396.6, 387,
D7/667; D9/435, 436, 443, 452, 453,
D9/447, 440, 503; 220/592.16, 592.17,
220/705, 495.03; 215/381; D3/202

CPC A47G 19/22; A47G 19/2205;
A47G 19/2211; A47G 19/2266; A47G
19/2272; A45F 3/16; B65D 47/066

See application file for complete search history.

(56) **References Cited**

U.S. PATENT DOCUMENTS

D179,880 S * 3/1957 Bramming D7/608
3,184,890 A * 5/1965 McKey A01G 9/0291
47/73

5,029,720 A 7/1991 Bridges
5,148,936 A 9/1992 DeGrow
D345,897 S * 4/1994 Vitez D7/608
5,312,013 A 5/1994 Bridges
5,415,312 A 5/1995 Mueller
D362,369 S 9/1995 Bridges
5,465,891 A 11/1995 Bridges
5,497,892 A 3/1996 Takatsuki et al.
5,515,995 A 5/1996 Allen et al.
D371,936 S * 7/1996 Goto D7/509
D385,747 S 11/1997 Inoue
D396,777 S 8/1998 Inoue

(Continued)

Primary Examiner — Marianne N Pandozzi

Assistant Examiner — Jae Liang

(74) *Attorney, Agent, or Firm* — Morgan, Lewis &
Bockius LLP

(57) **CLAIM**

I claim the ornamental design for a portable beverage
container, as shown and described.

DESCRIPTION

FIG. 1 is a top rear perspective view of a portable beverage
container showing my new design;

FIG. 2 is a front perspective view of the portable beverage
container shown in FIG. 1;

FIG. 3 is a rear perspective view of the portable beverage
container shown in FIG. 1;

FIG. 4 is a left side view of the portable beverage container
shown in FIG. 1;

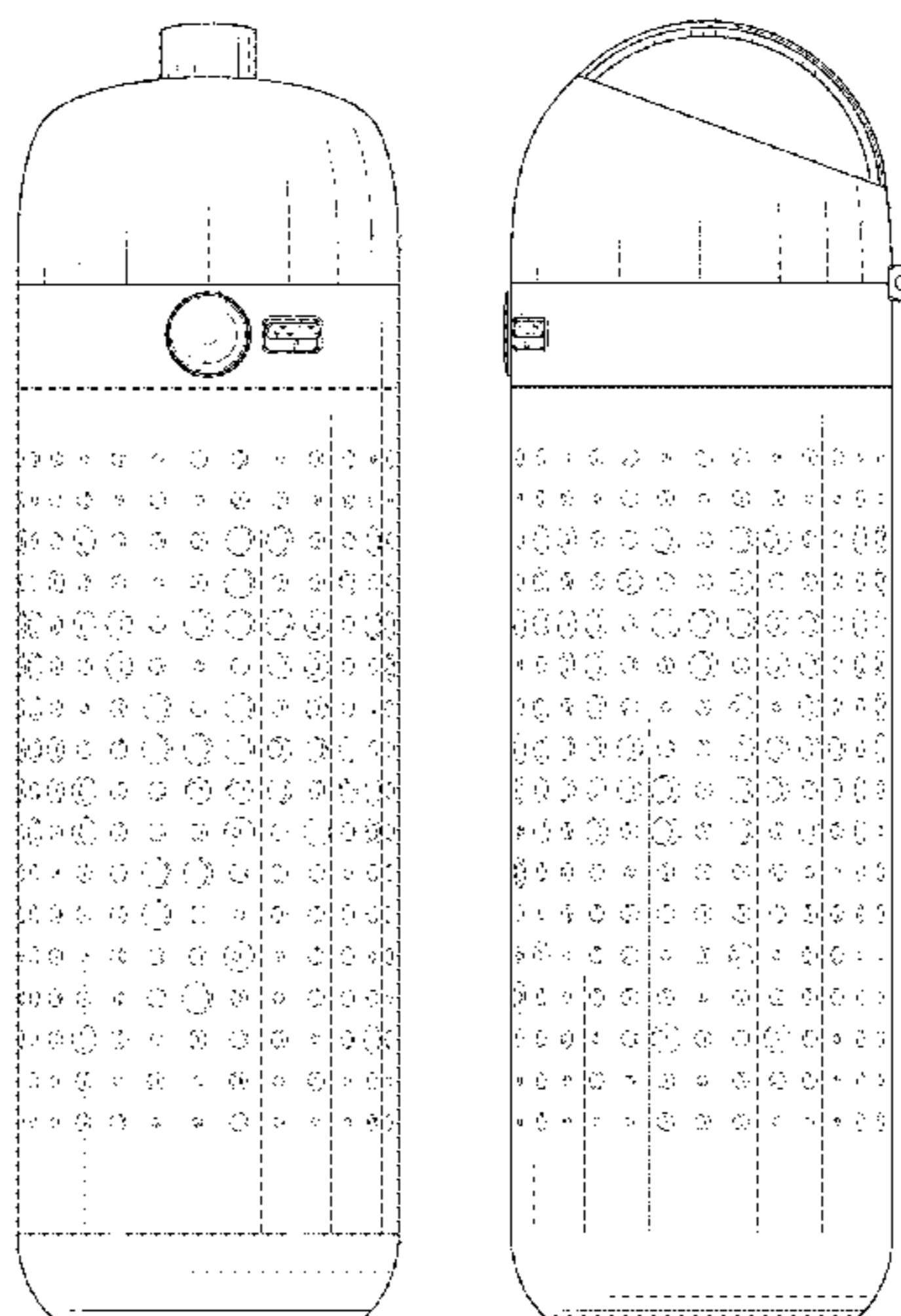
FIG. 5 is a right side view of the portable beverage container
shown in FIG. 1;

FIG. 6 is a top view of the portable beverage container
shown in FIG. 1; and,

FIG. 7 is a bottom view of the portable beverage container
shown in FIG. 1.

The broken lines in the drawings depict portions of the
portable beverage container that form no part of the claimed
design.

1 Claim, 3 Drawing Sheets



(56)

References Cited

U.S. PATENT DOCUMENTS

5,857,584 A *	1/1999	Taggart	A47G 19/2211 220/23.9	D715,100 S	10/2014	Eyal	
D411,713 S	6/1999	Bridges		8,870,007 B2	10/2014	Robbins, III et al.	
5,984,156 A	11/1999	Bridges		D716,657 S	11/2014	Caneer	
6,186,348 B1	2/2001	Rouet		D718,626 S	12/2014	Lane	
6,237,820 B1 *	5/2001	Saxton	A45F 3/16 215/395	D719,444 S	12/2014	Sullivan	
D448,620 S	10/2001	Neal		D719,445 S	12/2014	Caneer	
D449,963 S	11/2001	Neal		D719,780 S	12/2014	Sullivan	
D455,609 S	4/2002	Mandel et al.		D720,186 S	12/2014	Lane et al.	
D455,610 S	4/2002	Bridges		D720,574 S	1/2015	Boroski	
D456,212 S	4/2002	Bridges		D721,912 S	2/2015	Boroski	
D492,547 S *	7/2004	Hsu	D7/523	D724,896 S	3/2015	Williams	
D510,681 S *	10/2005	Liu	D7/523	8,967,414 B2	3/2015	Lane	
D529,766 S *	10/2006	Cunningham	D7/624.2	8,978,906 B2	3/2015	Feeley et al.	
D535,152 S *	1/2007	Gluck	D7/509	8,985,370 B2	3/2015	Lane	
7,163,127 B2	1/2007	Seelhofer		8,985,377 B2	3/2015	Lane	
D544,304 S *	6/2007	Gluck	D7/511	8,985,406 B2	3/2015	Tachi	
D552,420 S *	10/2007	Liu	D7/509	D725,966 S	4/2015	Boroski et al.	
7,284,674 B2	10/2007	Ueda et al.		D729,011 S	5/2015	Boroski	
7,306,113 B2	12/2007	El-Saden et al.		D729,581 S	5/2015	Boroski	
D575,580 S *	8/2008	Germany	D7/392.1	D729,585 S	5/2015	Boroski	
D588,411 S *	3/2009	Watanabe	D7/507	D730,429 S *	5/2015	Anari	D16/237
D594,266 S	6/2009	Nakatani		9,022,239 B2	5/2015	Mackenzie et al.	
7,546,933 B2	6/2009	Pinelli		D731,251 S	6/2015	Lane	
D596,904 S	7/2009	Nakatani		D732,892 S *	6/2015	Keys	D7/510
D603,653 S *	11/2009	Wong	D7/509	D736,563 S *	8/2015	George	D7/510
D607,698 S *	1/2010	Tsukida	D7/608	9,113,698 B2	8/2015	Blain et al.	
7,706,671 B2	4/2010	Brown		D739,183 S	9/2015	Lane	
D615,816 S *	5/2010	Joy	D7/507	D741,657 S *	10/2015	George	D7/509
D616,744 S *	6/2010	Cresswell	D9/443	9,150,335 B2	10/2015	Lane	
D618,065 S *	6/2010	Joy	D7/607	9,161,655 B2	10/2015	De Graaff et al.	
D623,476 S *	9/2010	Carlson	D7/510	D743,206 S *	11/2015	Pendleton	D7/509
7,797,807 B2	9/2010	Ueda et al.		9,175,785 B2	11/2015	Tachi	
D627,602 S *	11/2010	Eyal	D7/510	9,211,040 B2	12/2015	Lane	
D629,259 S *	12/2010	Joy	D7/607	9,307,853 B2	4/2016	Melton	
D643,092 S *	8/2011	Bandawat	F24F 6/14 D23/202	D756,706 S *	5/2016	Kushner	D7/509
7,997,442 B2	8/2011	Pinelli		D759,902 S *	6/2016	Kim	D29/125
D645,709 S	9/2011	Endo		D760,528 S *	7/2016	Szekely	D9/563
D656,365 S *	3/2012	Bickert	D7/523	D767,337 S *	9/2016	Boroski	D7/510
8,182,683 B1	5/2012	Allen		D772,972 S *	11/2016	Anari, III	D16/243
8,225,957 B1	7/2012	Volan		D774,358 S *	12/2016	Joseph	D7/510
D673,421 S	1/2013	Chiu et al.		D777,514 S *	1/2017	McMullin	D7/400
D675,100 S *	1/2013	Herbst	D7/511	D778,173 S *	2/2017	Pisarevsky	D3/203.3
D686,040 S	7/2013	Lane		D783,369 S *	4/2017	Matsuo	D7/608
D686,448 S	7/2013	Boroski		D801,173 S *	10/2017	Lown	D9/449
D690,557 S	10/2013	Carreno et al.		D802,375 S *	11/2017	Kao	D7/624.2
D690,558 S	10/2013	Lane		D808,213 S *	1/2018	Lown	D7/396.2
8,550,269 B2	10/2013	Lane		D811,893 S *	3/2018	Bandawat	D9/682
8,579,133 B2	11/2013	Marcus et al.		D815,901 S *	4/2018	Steinmann	D7/510
D695,069 S	12/2013	Lane		D816,400 S *	5/2018	Beckman	D7/396.2
8,596,480 B2	12/2013	Arjomand		D821,146 S *	6/2018	Steinmann	D7/510
D696,905 S	1/2014	Carreno et al.		D824,218 S *	7/2018	Seiders	D7/608
D697,802 S	1/2014	Lane		2008/0006598 A1	1/2008	Fujii et al.	
8,622,229 B2	1/2014	Lane		2008/0128438 A1	6/2008	Lane	
8,636,166 B2	1/2014	Lane		2008/0190942 A1	8/2008	Fujii et al.	
D700,060 S *	2/2014	Trevisan	D9/688	2008/0237233 A1	10/2008	Choi et al.	
D701,091 S	3/2014	Joy		2009/0199719 A1	8/2009	Bodum	
8,668,106 B1	3/2014	Joy et al.		2009/0277907 A1	11/2009	Schindele et al.	
8,684,223 B1	4/2014	Kalamaras		2010/0181329 A1	7/2010	Davies et al.	
8,689,989 B2	4/2014	Lane		2011/0174993 A1	7/2011	Blain	
8,695,830 B2	4/2014	Meyers et al.		2011/0198349 A1	8/2011	Lane	
D704,001 S	5/2014	Lane		2012/0006830 A1	1/2012	Larreau	
8,777,048 B2	7/2014	Choi et al.		2012/0018343 A1	1/2012	Carland	
D710,653 S	8/2014	Goto et al.		2012/0228315 A1	9/2012	Davies et al.	
D712,701 S	9/2014	Boroski		2013/0008902 A1	1/2013	Davies et al.	
D713,206 S	9/2014	Lane et al.		2013/0119075 A1	5/2013	Justiss	
8,827,099 B2	9/2014	Joy et al.		2013/0175270 A1	7/2013	Fujita et al.	
8,833,586 B2	9/2014	Meyers et al.		2013/0233178 A1	9/2013	Herling et al.	
8,844,742 B2	9/2014	Fujita et al.		2013/0306630 A1 *	11/2013	Babinsky	B65D 81/3869 220/62.12
8,844,746 B2	9/2014	Meyers et al.		2013/0319966 A1	12/2013	Lane	
8,844,758 B1	9/2014	Kummer		2013/0320011 A1	12/2013	Tachi	
D714,584 S	10/2014	Boroski		2013/0320251 A1	12/2013	Tachi	
D714,590 S *	10/2014	Liotta	D7/515	2014/0138395 A1	5/2014	Joy et al.	
				2014/0166654 A1	6/2014	Lane	
				2014/0174965 A1	6/2014	Herling et al.	
				2014/0175042 A1	6/2014	Lane	
				2014/0190982 A1	7/2014	Speed	
				2014/0261003 A1	9/2014	Maruyama et al.	
				2014/0263324 A1	9/2014	Latham et al.	

(56)

References Cited

U.S. PATENT DOCUMENTS

2014/0263441	A1	9/2014	Maruyama et al.	
2014/0263476	A1	9/2014	Blain et al.	
2014/0312077	A1	10/2014	Tajima et al.	
2014/0319158	A1	10/2014	Lonsway	
2015/0144516	A1*	5/2015	Shamoon	B65D 25/04 206/459.1
2015/0216343	A1	8/2015	Price	
2015/0223628	A1	8/2015	Cheung et al.	
2016/0159538	A1*	6/2016	Michie	A45F 3/16 215/306

* cited by examiner

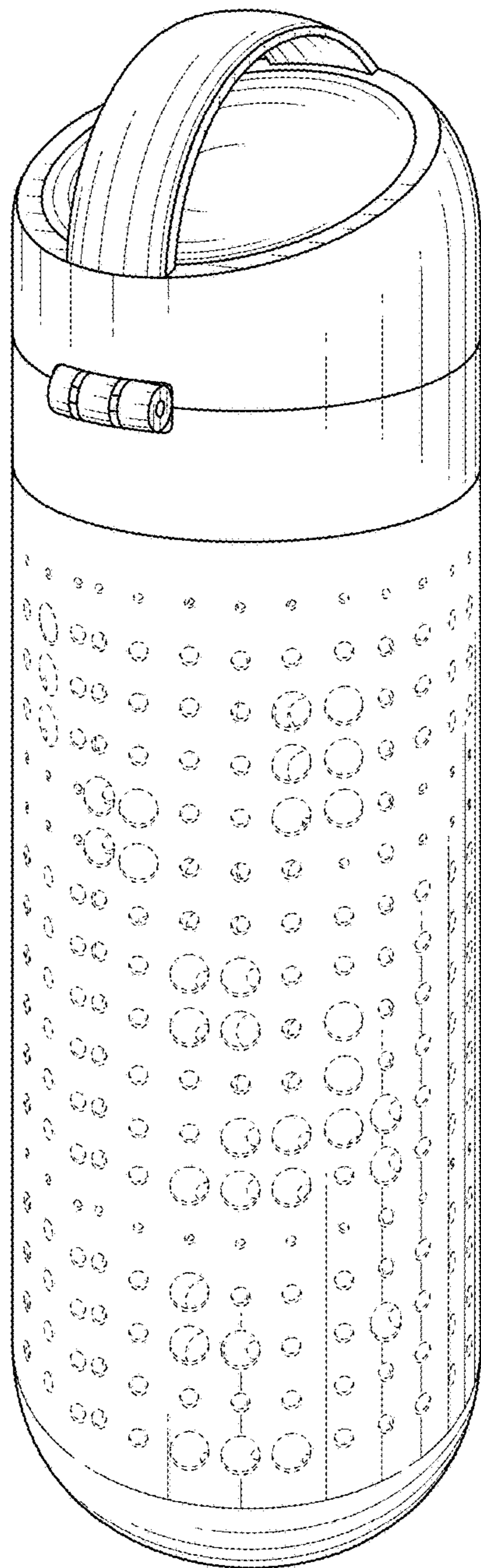


FIG. 1

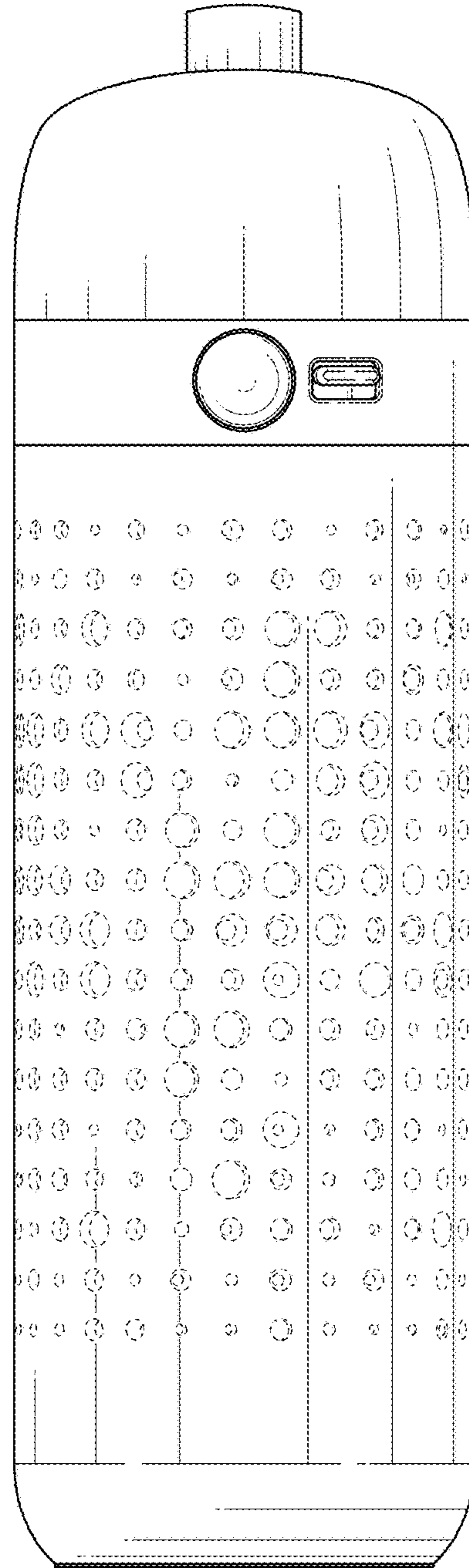


FIG. 2

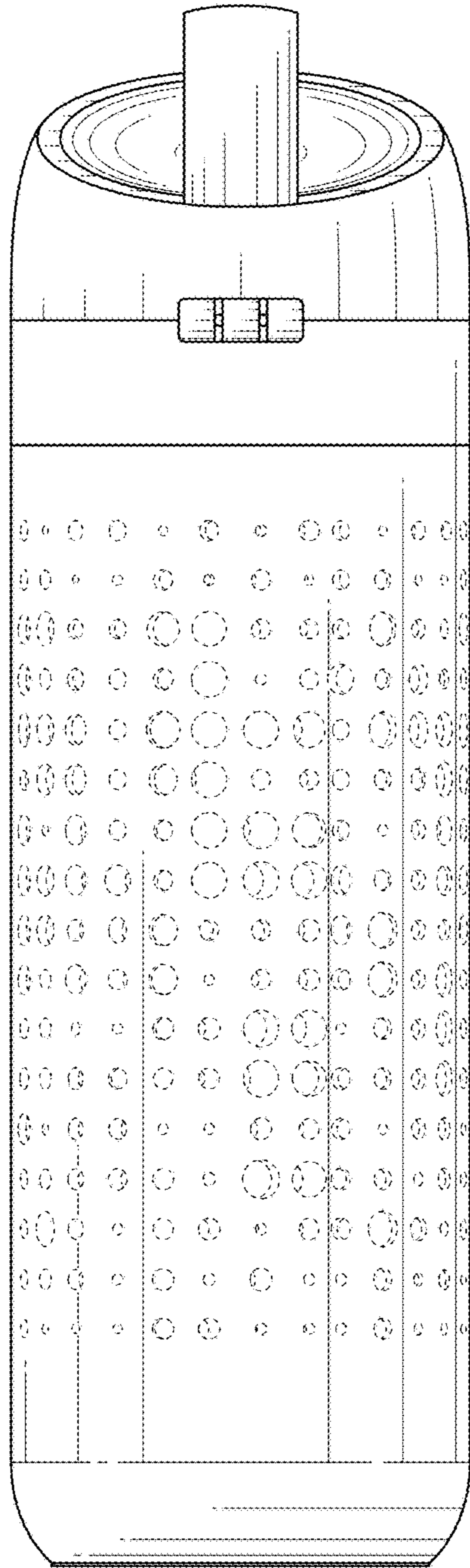


FIG. 3

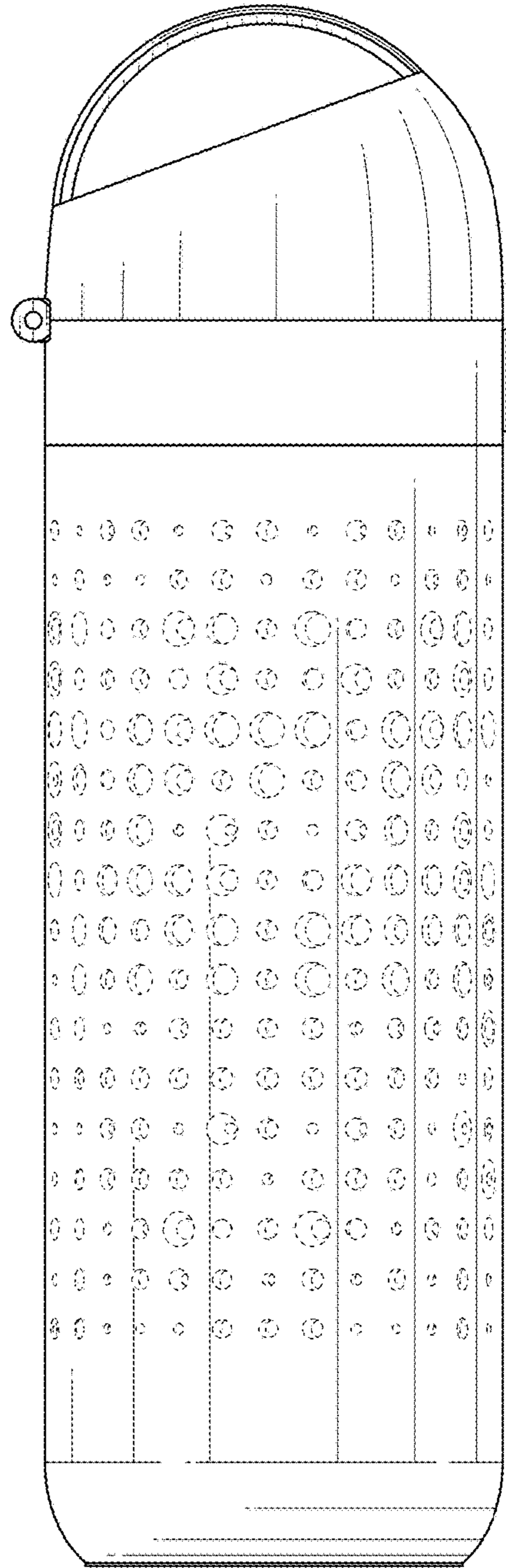


FIG. 4

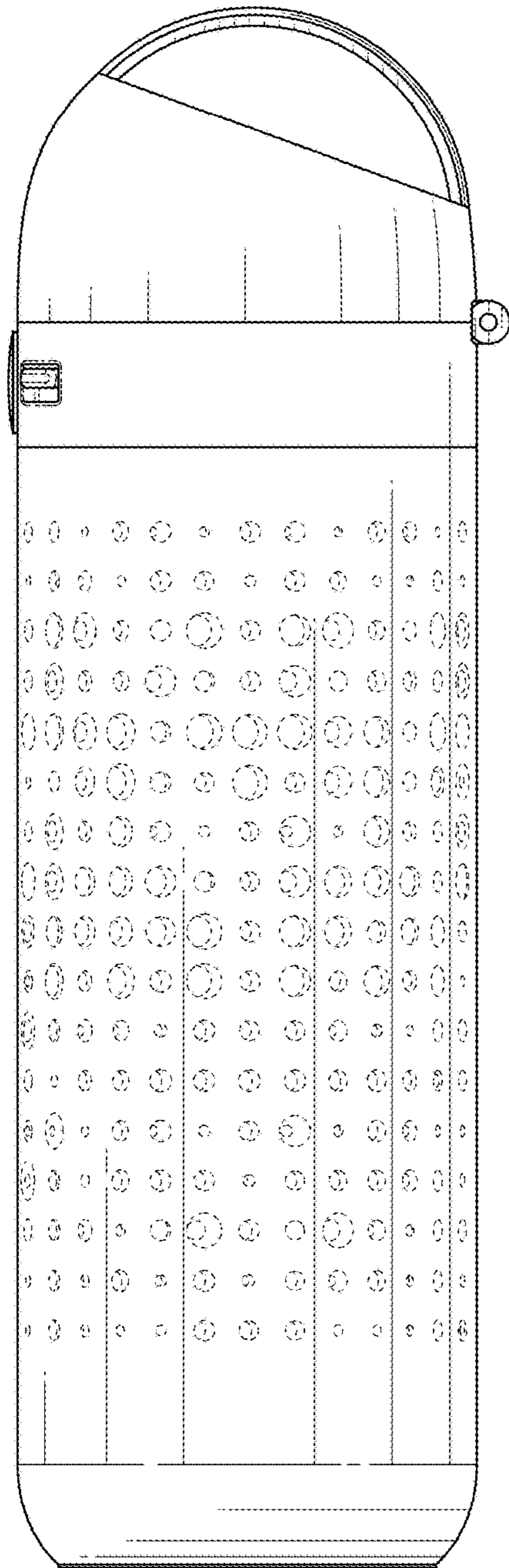


FIG. 5

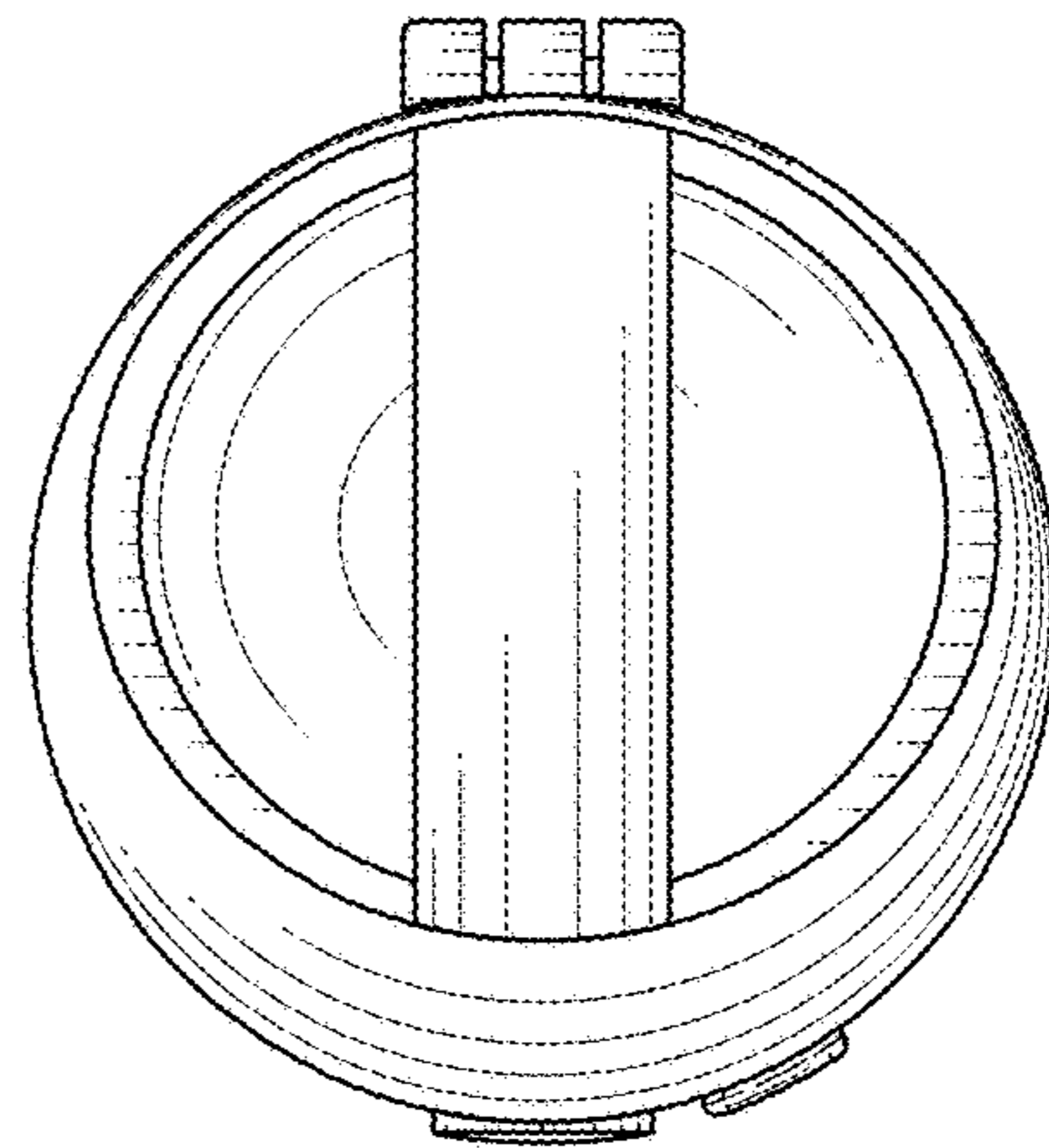


FIG. 6

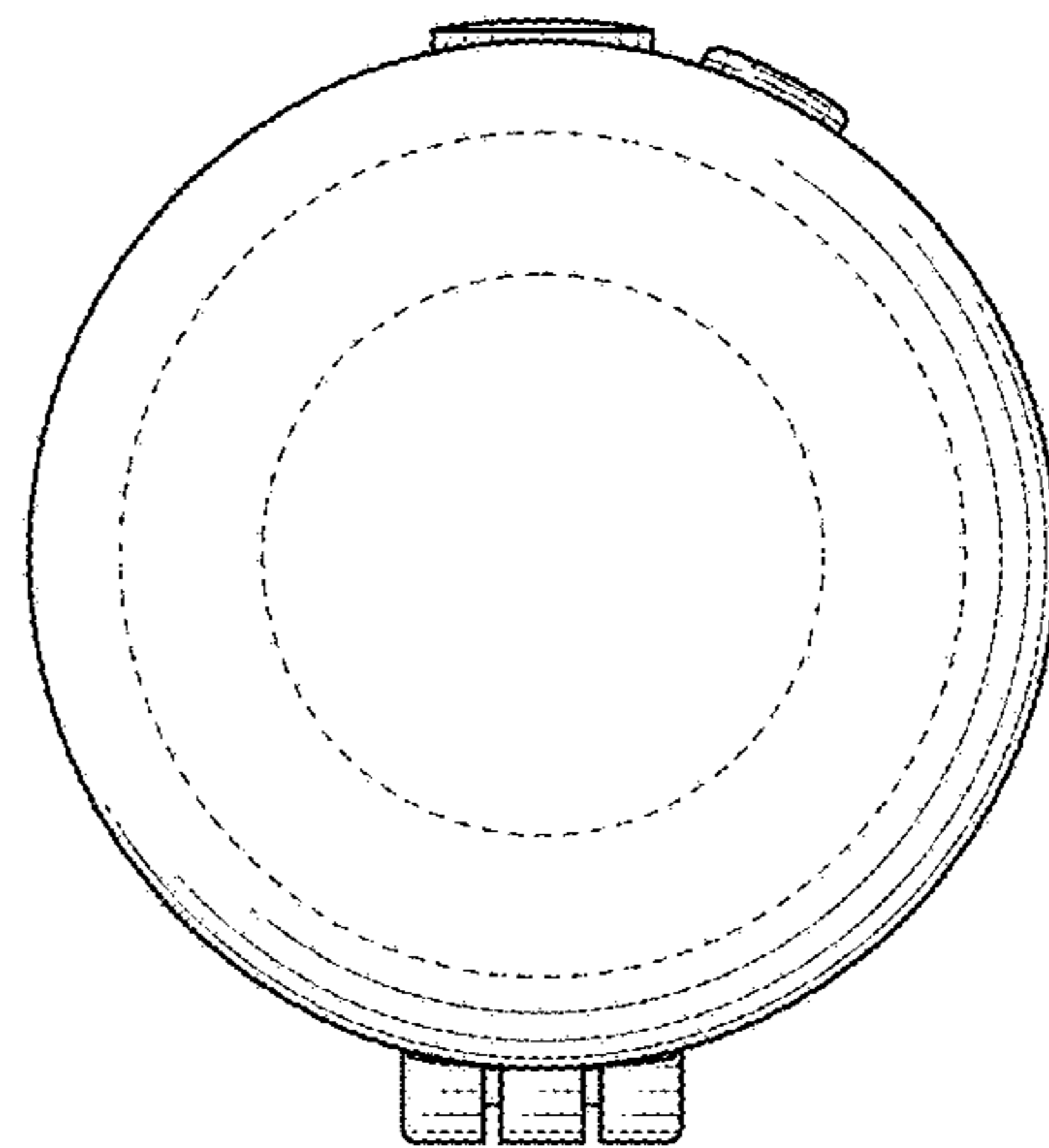


FIG. 7