



US00D855400S

(12) **United States Design Patent** (10) **Patent No.:** **US D855,400 S**
Oley (45) **Date of Patent:** **** *Aug. 6, 2019**

(54) **INTERCHANGEABLE DRINKWARE WITH INTEGRATED STORAGE**

(71) Applicant: **Marcia Oley**, Winnetka, IL (US)

(72) Inventor: **Marcia Oley**, Winnetka, IL (US)

(*) Notice: This patent is subject to a terminal disclaimer.

(**) Term: **15 Years**

(21) Appl. No.: **29/642,723**

(22) Filed: **Apr. 2, 2018**

(51) **LOC (12) Cl.** **07-01**

(52) **U.S. Cl.**
USPC **D7/505; D7/507; D7/524**

(58) **Field of Classification Search**
USPC D7/507, 509, 510, 511, 523, 570, 529,
D7/524, 537, 526, 528, 532, 393, 213,
(Continued)

(56) **References Cited**

U.S. PATENT DOCUMENTS

2,420,262 A 1/1890 Boemermann
2,664,004 A 12/1953 Sol et al.
(Continued)

FOREIGN PATENT DOCUMENTS

CN 201920345 U 8/2011
CN 202891421 4/2013
(Continued)

OTHER PUBLICATIONS

<http://www.luxuriousweddingaccessories.com/product/bridal-toasting-flute-kings-toast>.
<https://dornob.com/4-glasses-in-1-from-water-to-wine-champagne-or-cognac/>.

Primary Examiner — Marianne N Pandozzi

Assistant Examiner — Jae Liang
(74) *Attorney, Agent, or Firm* — Lesley A. Wallerstein, LLC

(57) **CLAIM**

The ornamental design for an interchangeable drinkware with integrated storage, as shown and described.

DESCRIPTION

FIG. 1 is a top perspective view of an interchangeable drinkware with integrated storage showing my new design; FIG. 2 is a bottom perspective view of the interchangeable drinkware with integrated storage of FIG. 1. FIG. 3 is a side view of the interchangeable drinkware with integrated storage of FIG. 1. FIG. 4 is a cross-section view showing a section taken along line 4-4 of FIG. 3; FIG. 5 is a top view of the interchangeable drinkware with integrated storage of FIG. 1. FIG. 6 is a bottom view of the interchangeable drinkware with integrated storage of FIG. 1. FIG. 7 is an exploded top perspective view of the interchangeable drinkware with integrated storage of FIG. 1. FIG. 8 is an exploded bottom perspective view of the interchangeable drinkware with integrated storage of FIG. 1. FIG. 9 is an exploded side perspective view of the interchangeable drinkware with integrated storage of FIG. 1. FIG. 10 is a top perspective view of an assembled red wine configuration of the interchangeable drinkware with integrated storage of FIG. 1. FIG. 11 is a bottom perspective view of the assembled red wine configuration of the interchangeable drinkware with integrated storage of FIG. 1. FIG. 12 is a close-up top perspective view of the assembled red wine configuration of the interchangeable drinkware with integrated storage of FIG. 1. FIG. 13 is a side view of the assembled red wine configuration of the interchangeable drinkware with integrated storage of FIG. 1. FIG. 14 is a top view of the assembled red wine configuration of the interchangeable drinkware with integrated storage of FIG. 1.

(Continued)

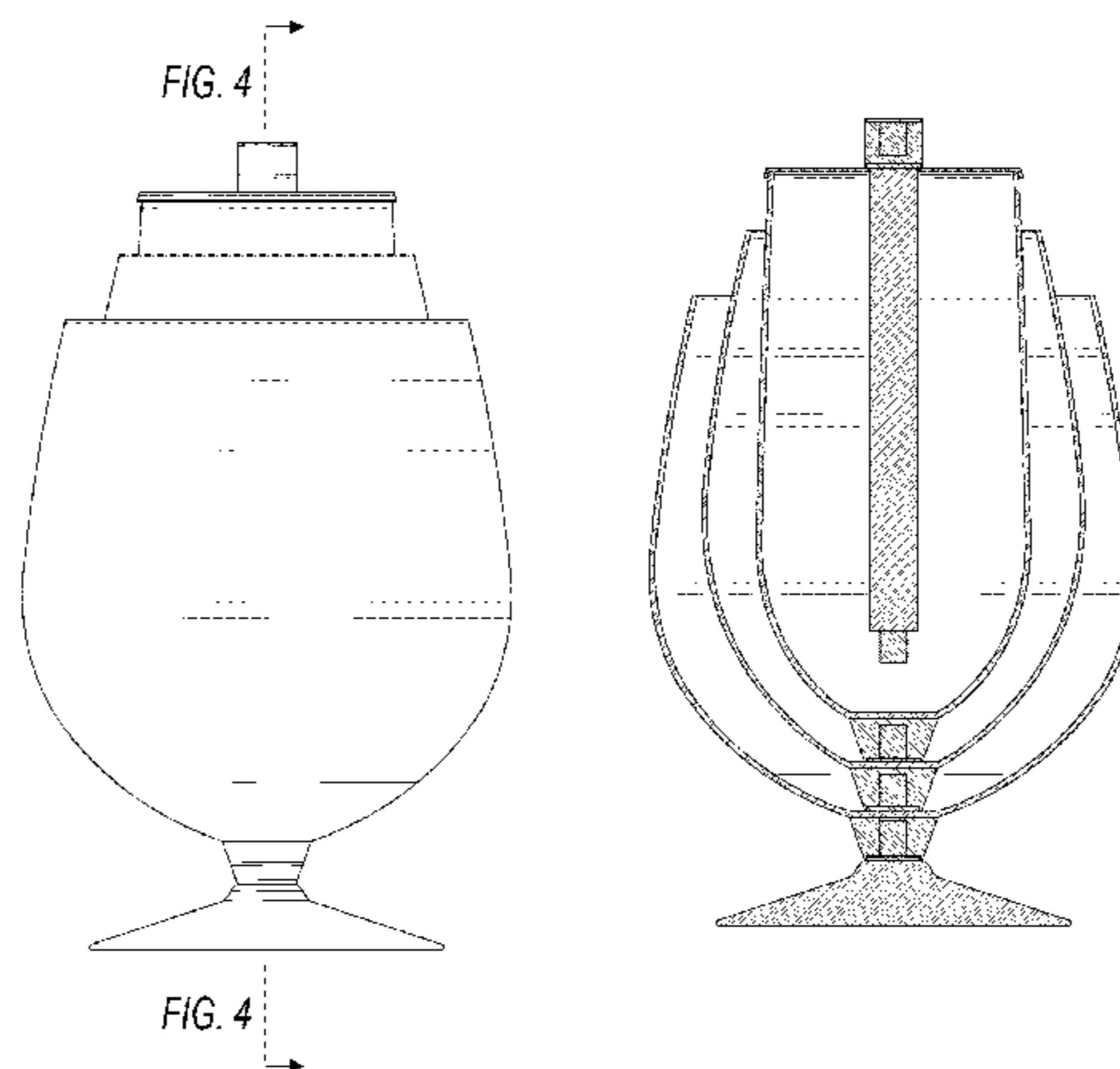


FIG. 15 is a bottom view of the assembled red wine configuration of the interchangeable drinkware with integrated storage of FIG. 1.

FIG. 16 is a top perspective view of an assembled white wine configuration of the interchangeable drinkware with integrated storage of FIG. 1.

FIG. 17 is a bottom perspective view of the assembled white wine configuration of the interchangeable drinkware with integrated storage of FIG. 1.

FIG. 18 is a side view of the assembled white wine configuration of the interchangeable drinkware with integrated storage of FIG. 1.

FIG. 19 is a top view of the assembled white wine configuration of the interchangeable drinkware with integrated storage of FIG. 1.

FIG. 20 is a bottom view of the assembled white wine configuration of the interchangeable drinkware with integrated storage of FIG. 1.

FIG. 21 is a top perspective view of an assembled champagne flute configuration of the interchangeable drinkware with integrated storage of FIG. 1.

FIG. 22 is a bottom perspective view of the assembled champagne flute configuration of the interchangeable drinkware with integrated storage of FIG. 1.

FIG. 23 is a side perspective view of the assembled champagne flute configuration of the interchangeable drinkware with integrated storage of FIG. 1.

FIG. 24 is a top view of the assembled champagne flute configuration of the interchangeable drinkware with integrated storage of FIG. 1; and,

FIG. 25 is a bottom view of the assembled champagne flute configuration of the interchangeable drinkware with integrated storage of FIG. 1.

1 Claim, 21 Drawing Sheets

(58) **Field of Classification Search**

USPC D7/514, 515, 513, 530, 396.6, 505;
220/592.16, 592.17; D10/118; D9/500,
D9/501, 503, 516, 517, 518, 548, 549,
D9/558, 715, 716, 719
CPC A47G 19/2205; A47G 19/2227; A47G
19/22; A45F 3/20

See application file for complete search history.

(56)

References Cited

U.S. PATENT DOCUMENTS

3,368,693	A *	2/1968	Bochory	F21V 21/096 108/26
5,014,865	A *	5/1991	Sauber	A47G 19/2255 215/377
D355,812	S	2/1995	DuBow	
D358,080	S *	5/1995	Handler	D7/507
5,609,409	A	3/1997	Diehl	
5,996,825	A	12/1999	Gordon et al.	
D507,933	S *	8/2005	Carmichael	D7/505
D530,150	S *	10/2006	Eddy	D7/396.6
D547,119	S *	7/2007	Robinson	D7/505
D611,767	S *	3/2010	McClellan	D7/524
7,861,888	B2 *	1/2011	Niedzwiecki	A47G 19/2255 206/499
8,829,824	B2	9/2014	Scott	
D752,923	S	4/2016	Lee	
D801,748	S *	11/2017	Sullivan	D7/397
D812,431	S *	3/2018	Carvin	D7/528
D814,862	S *	4/2018	Sullivan	D7/397
2003/0098311	A1	5/2003	Parentini	
2005/0092760	A1	5/2005	Westerhold	
2007/0257048	A1	11/2007	Towery et al.	
2008/0179328	A1 *	7/2008	Anderson	220/475
2010/0000904	A1	1/2010	Cox	
2011/0132781	A1 *	6/2011	Willat	B65D 1/0276 206/217
2011/0174763	A1	7/2011	Kennedy	
2013/0020333	A1 *	1/2013	Scott	A47G 19/2255 220/630
2013/0334166	A1 *	12/2013	Garipalli	A47G 19/2205 215/377
2014/0054304	A1 *	2/2014	Hu	A47G 19/2255 220/630
2014/0117029	A1	5/2014	Harvey	
2014/0291335	A1 *	10/2014	Lee	A45F 3/20 220/630
2014/0299601	A1 *	10/2014	Schiavone	A47G 19/2205 220/288
2017/0013984	A1	1/2017	Uva	
2017/0021992	A1 *	1/2017	Perrulli	B65D 75/002

FOREIGN PATENT DOCUMENTS

CN	203885190	U	10/2014
FR	2874163	A1	2/2006
WO	2008100716	A1	8/2008

* cited by examiner



FIG. 1

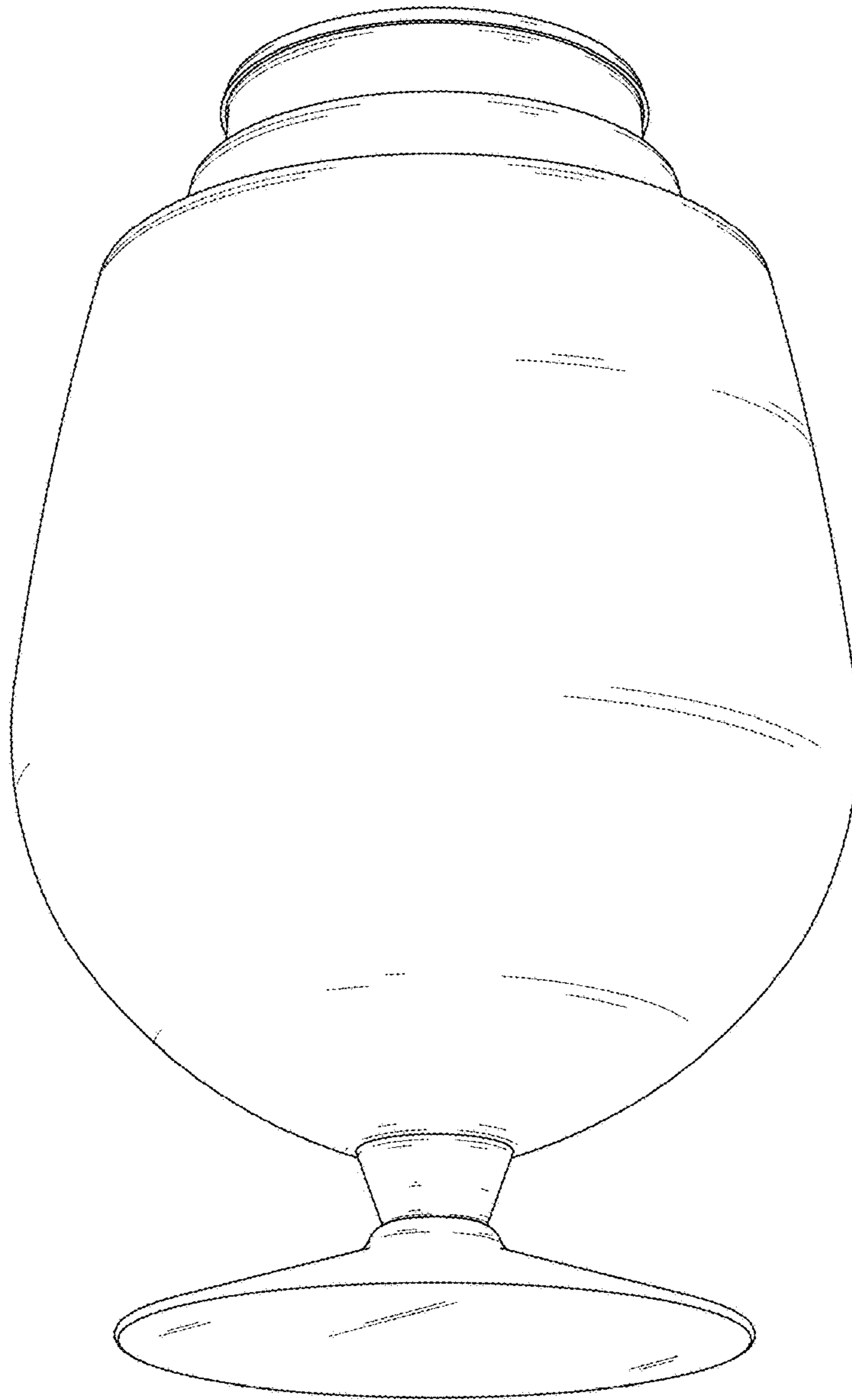


FIG. 2

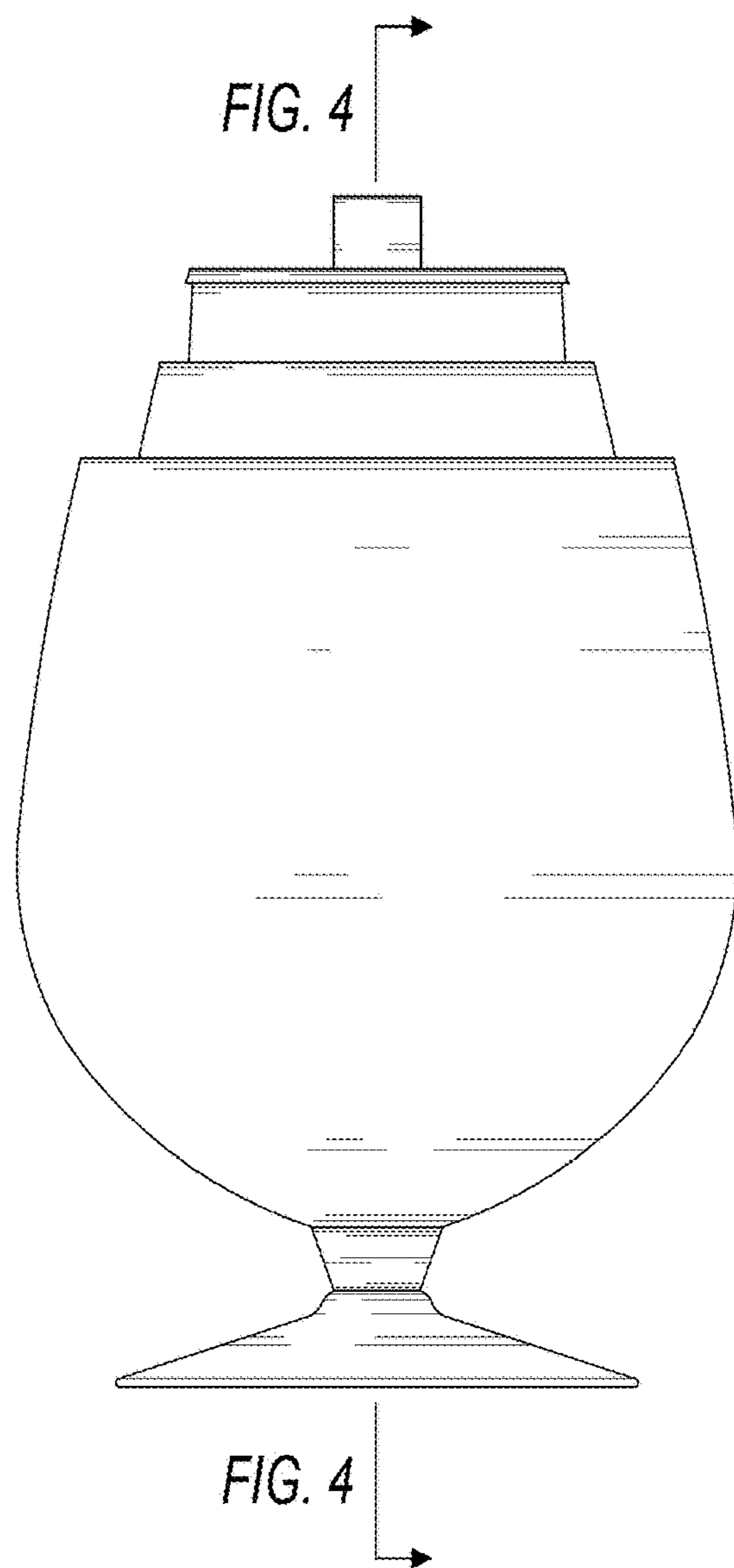


FIG. 3

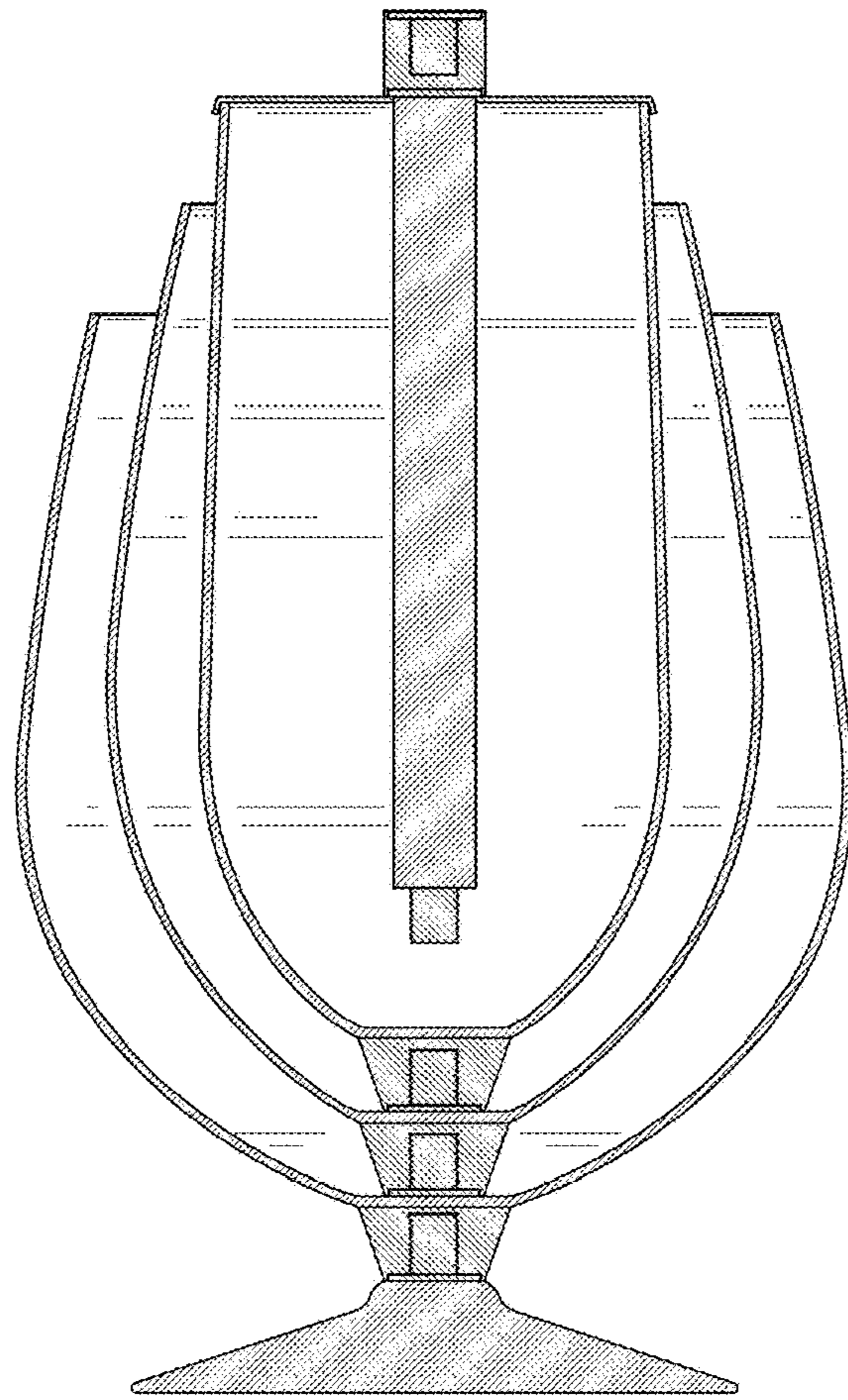


FIG. 4

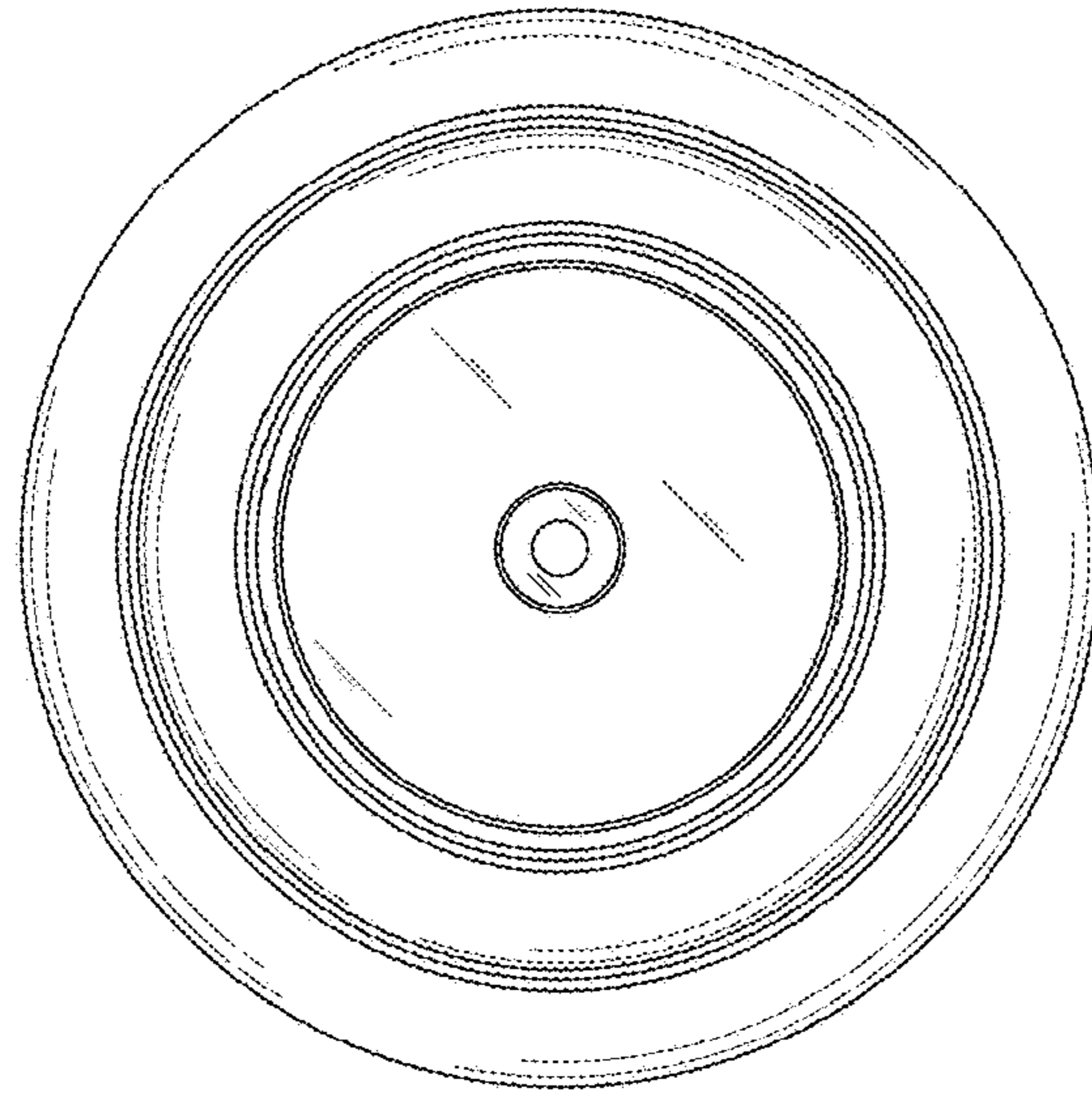


FIG. 5

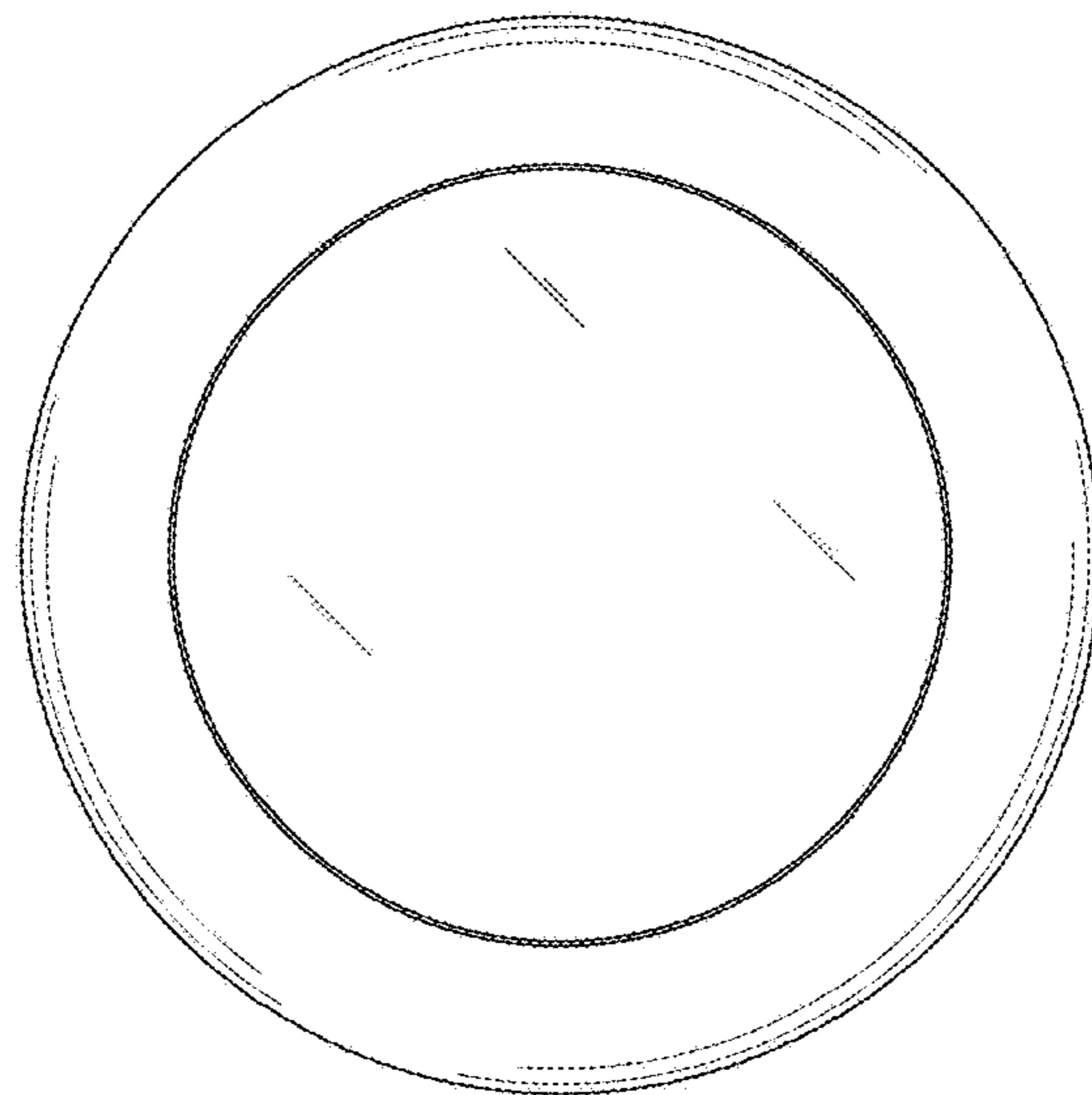


FIG. 6

FIG. 7

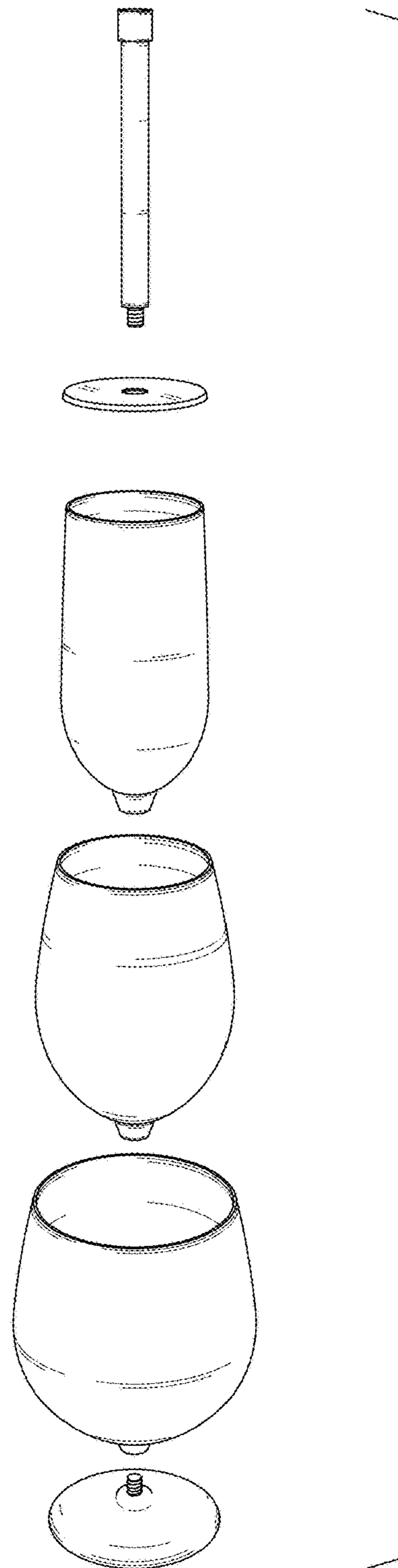


FIG. 8

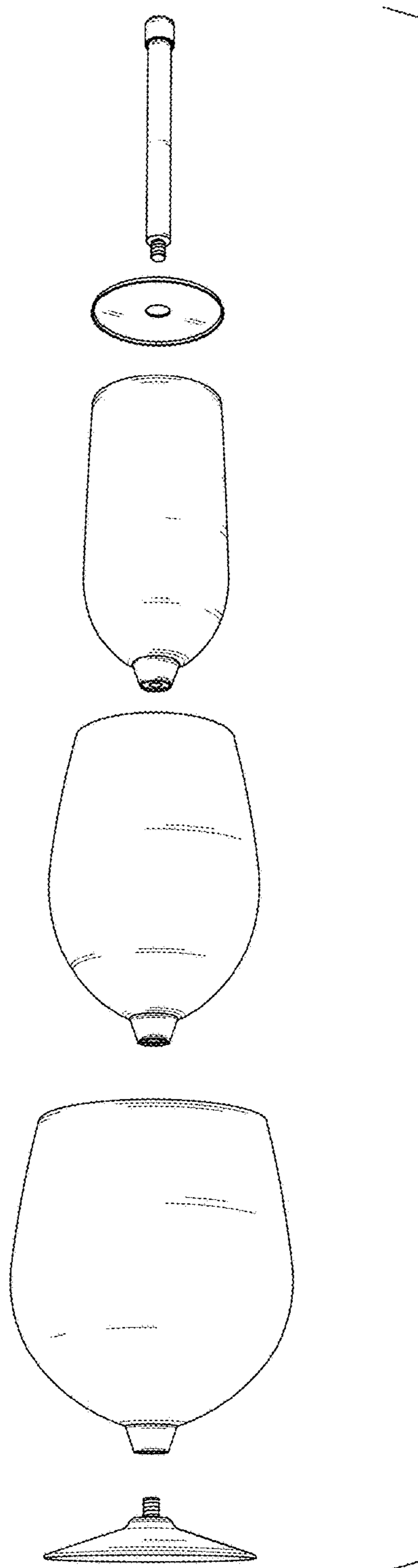
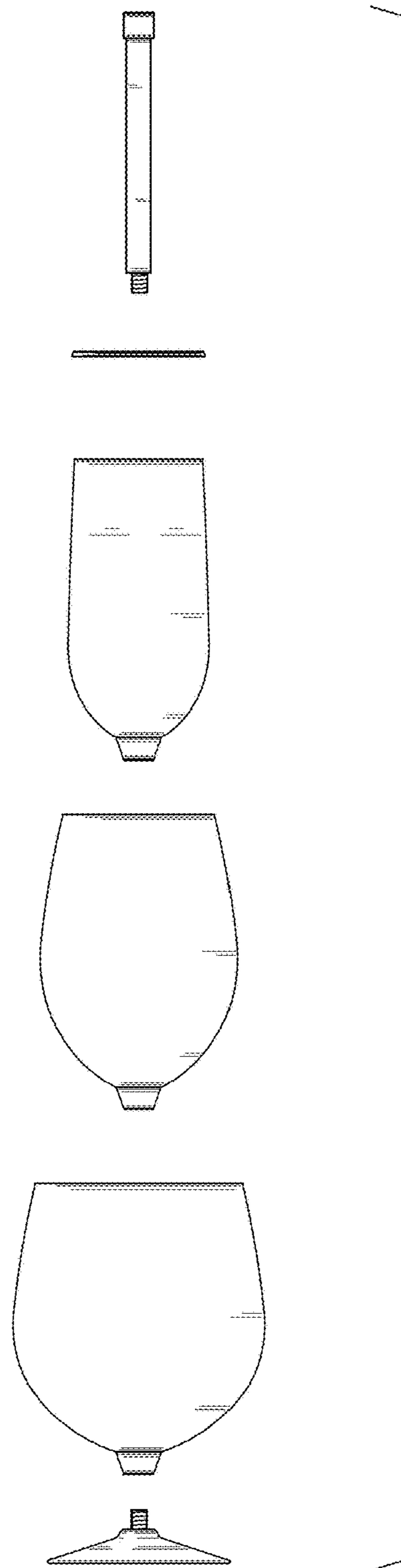


FIG. 9



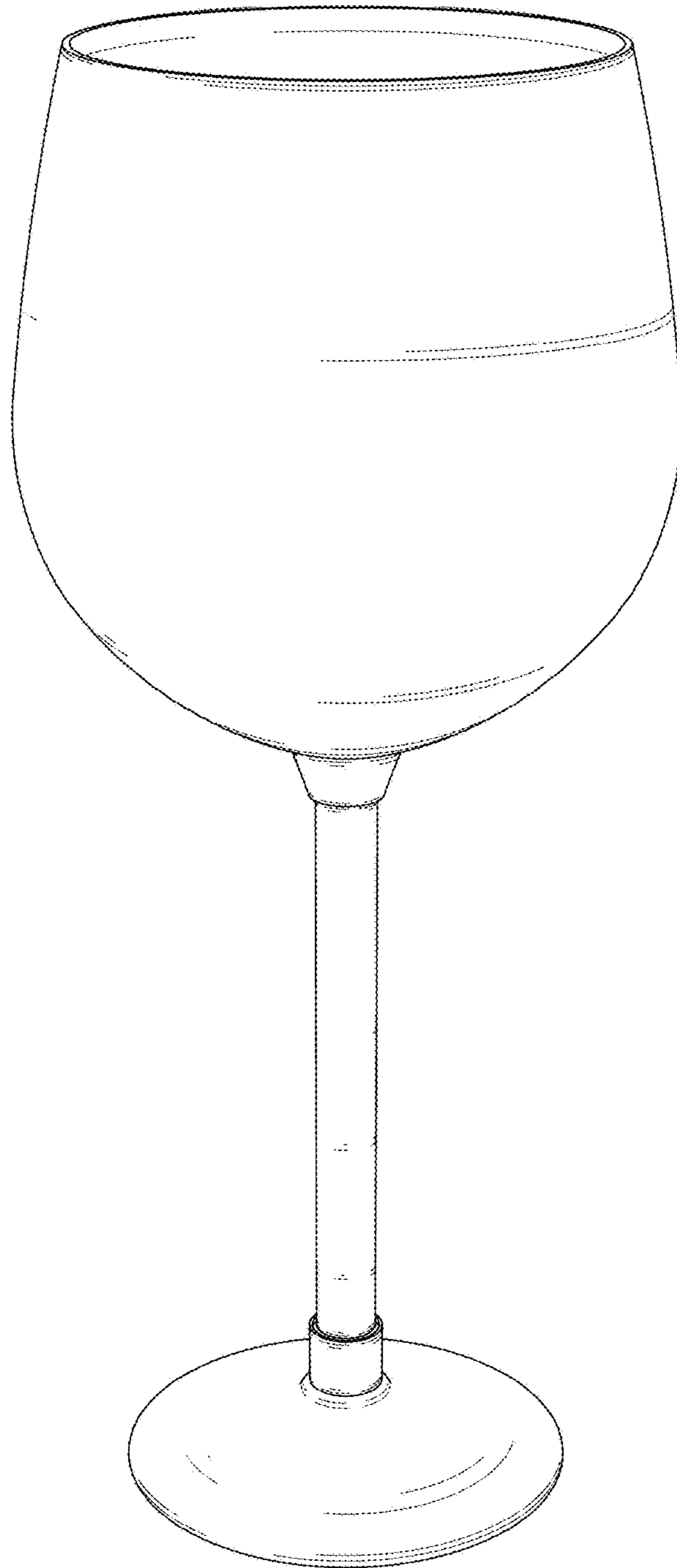


FIG. 10

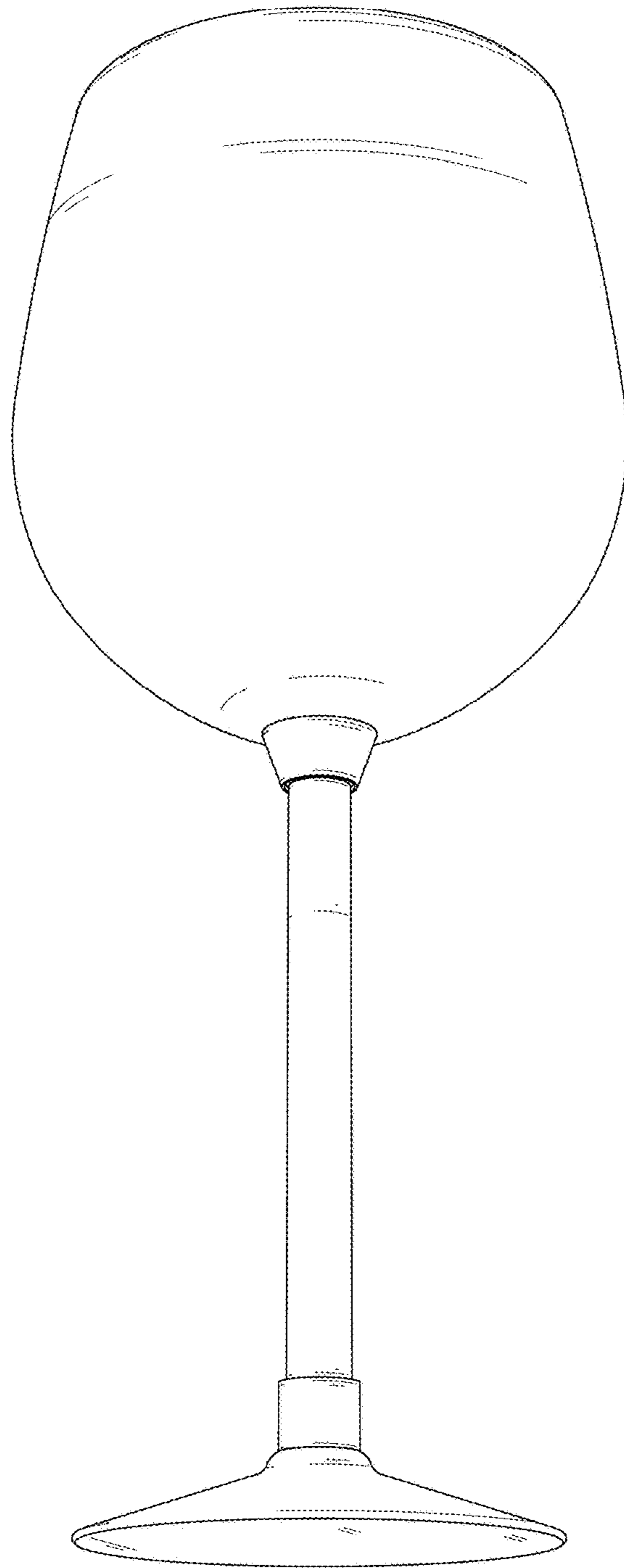


FIG. 11

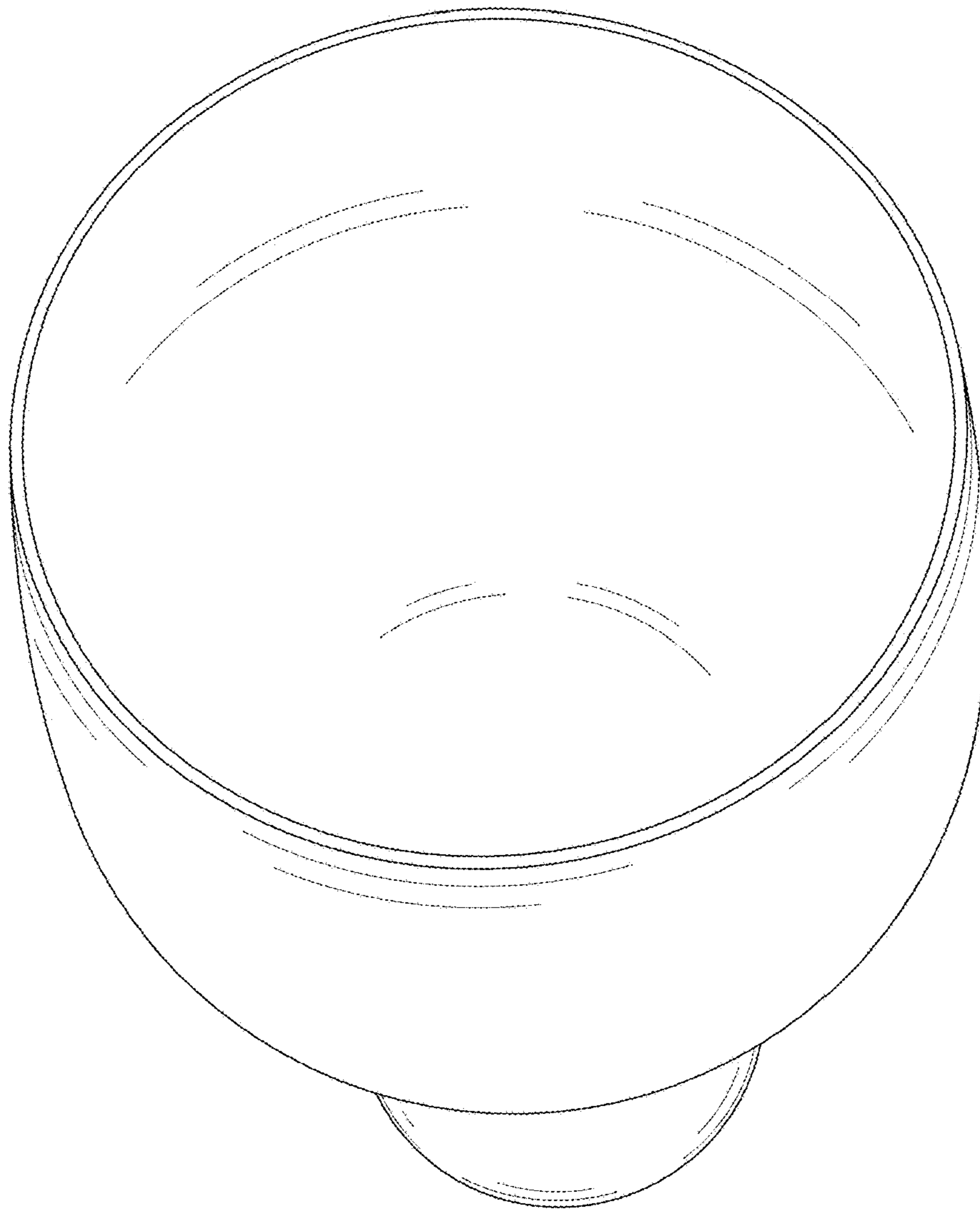


FIG. 12

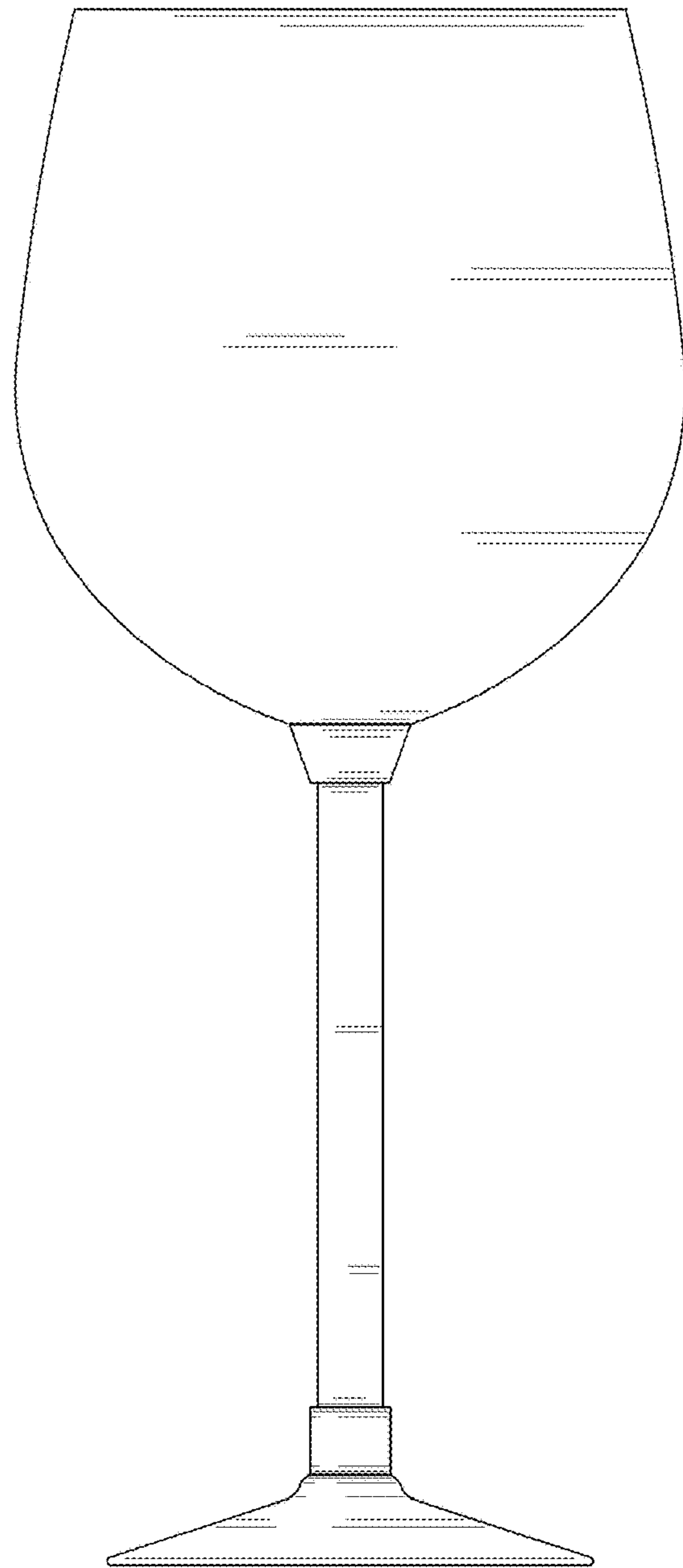


FIG. 13

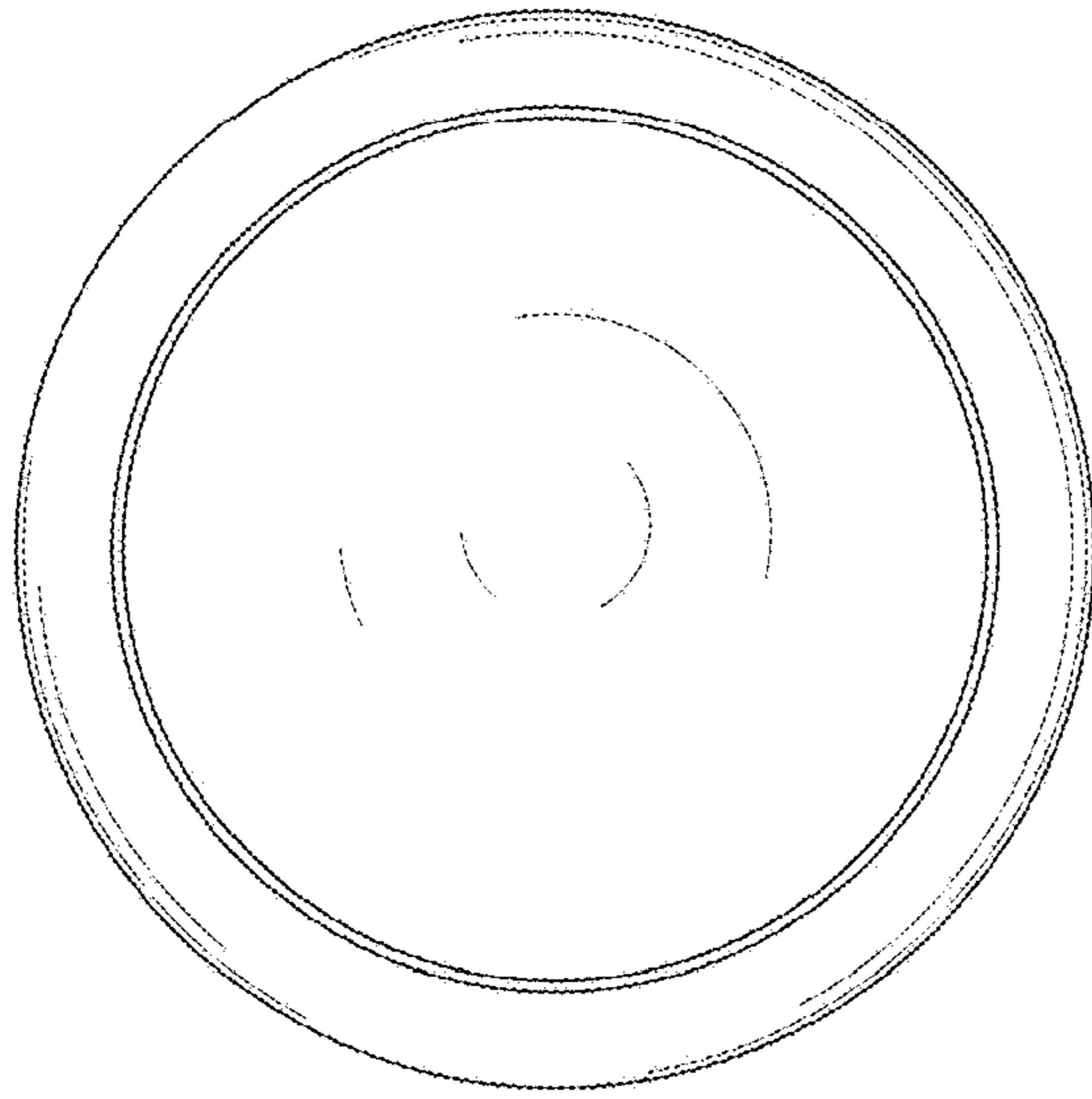


FIG. 14

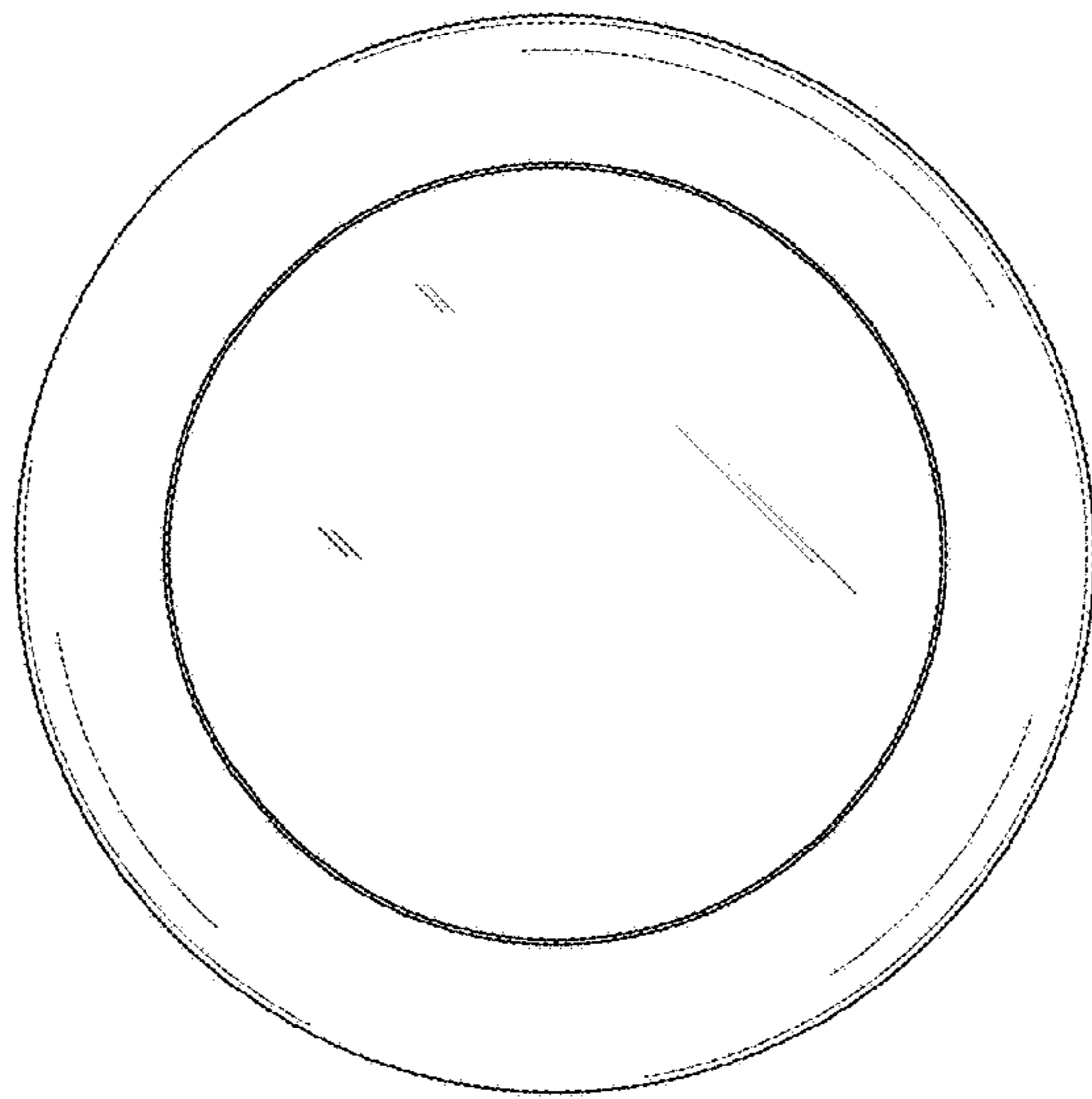


FIG. 15

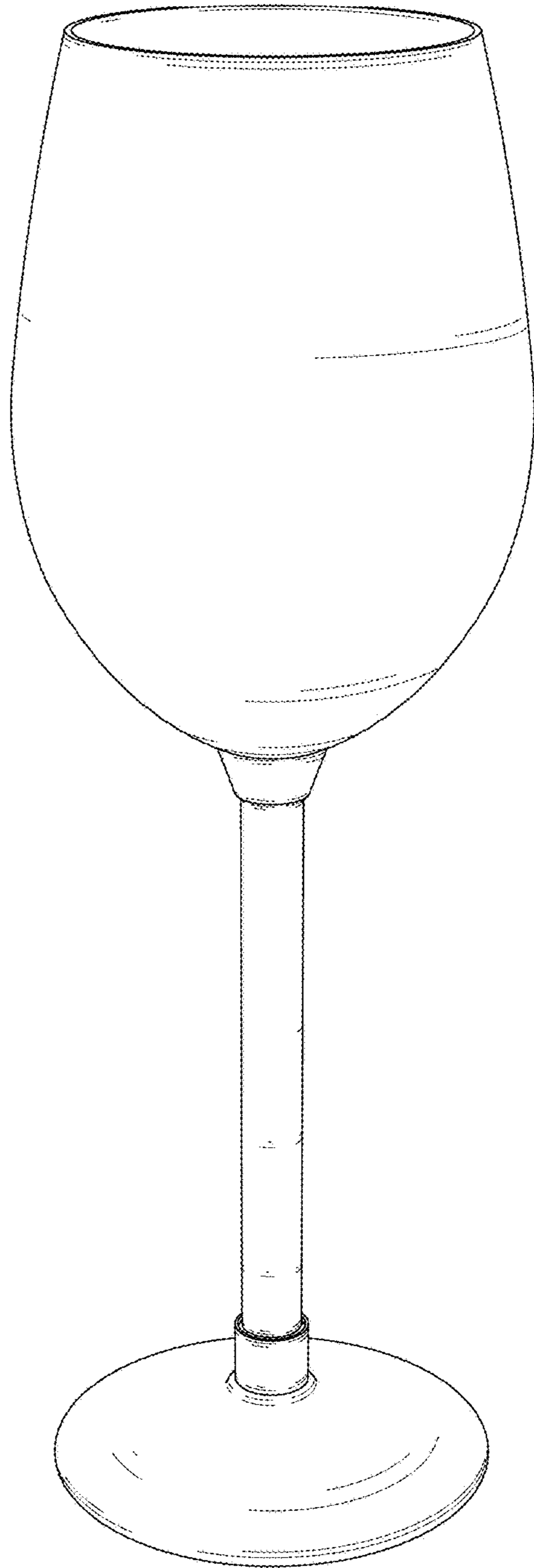


FIG. 16

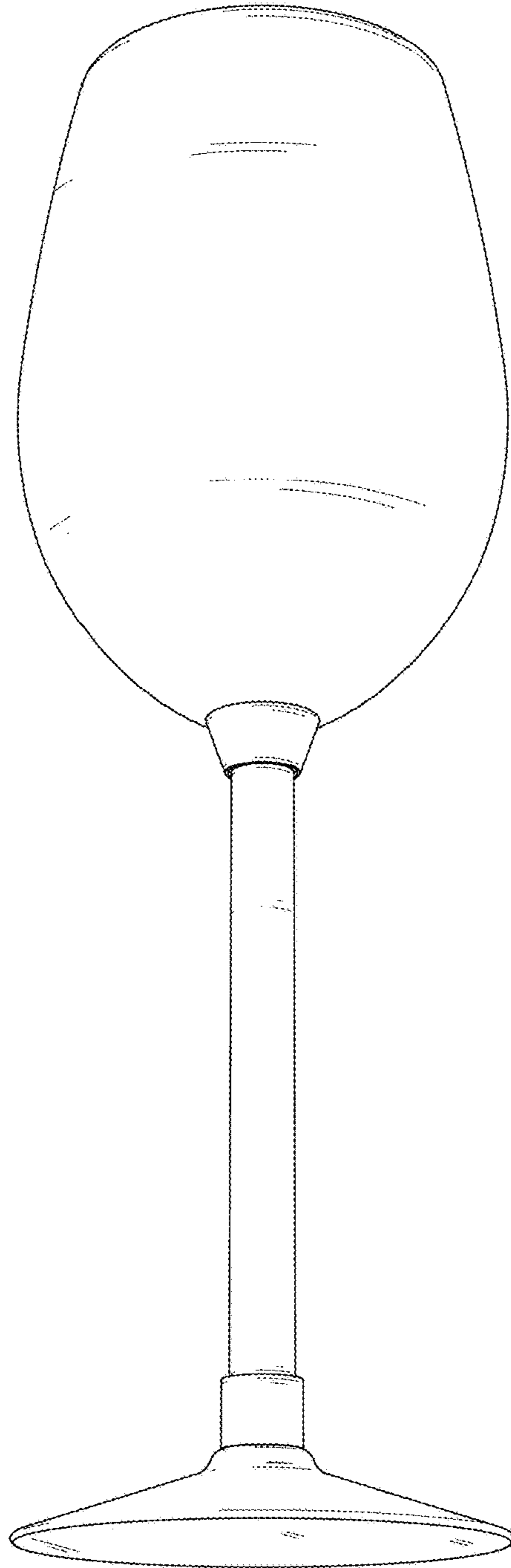


FIG. 17

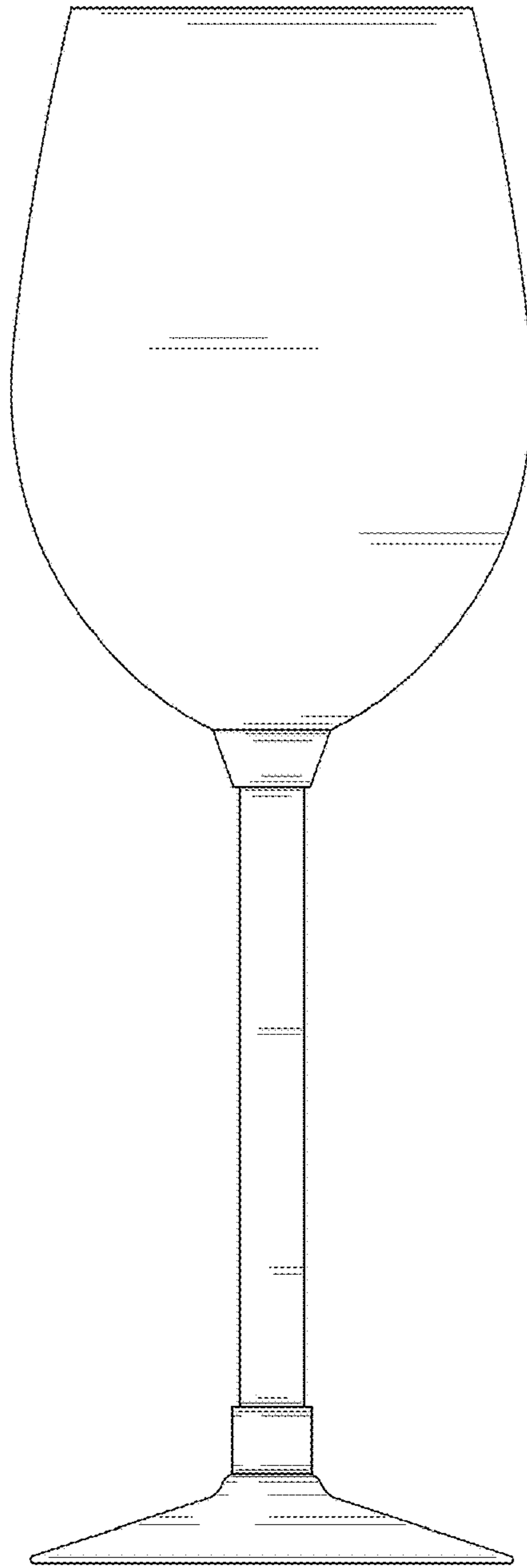


FIG. 18

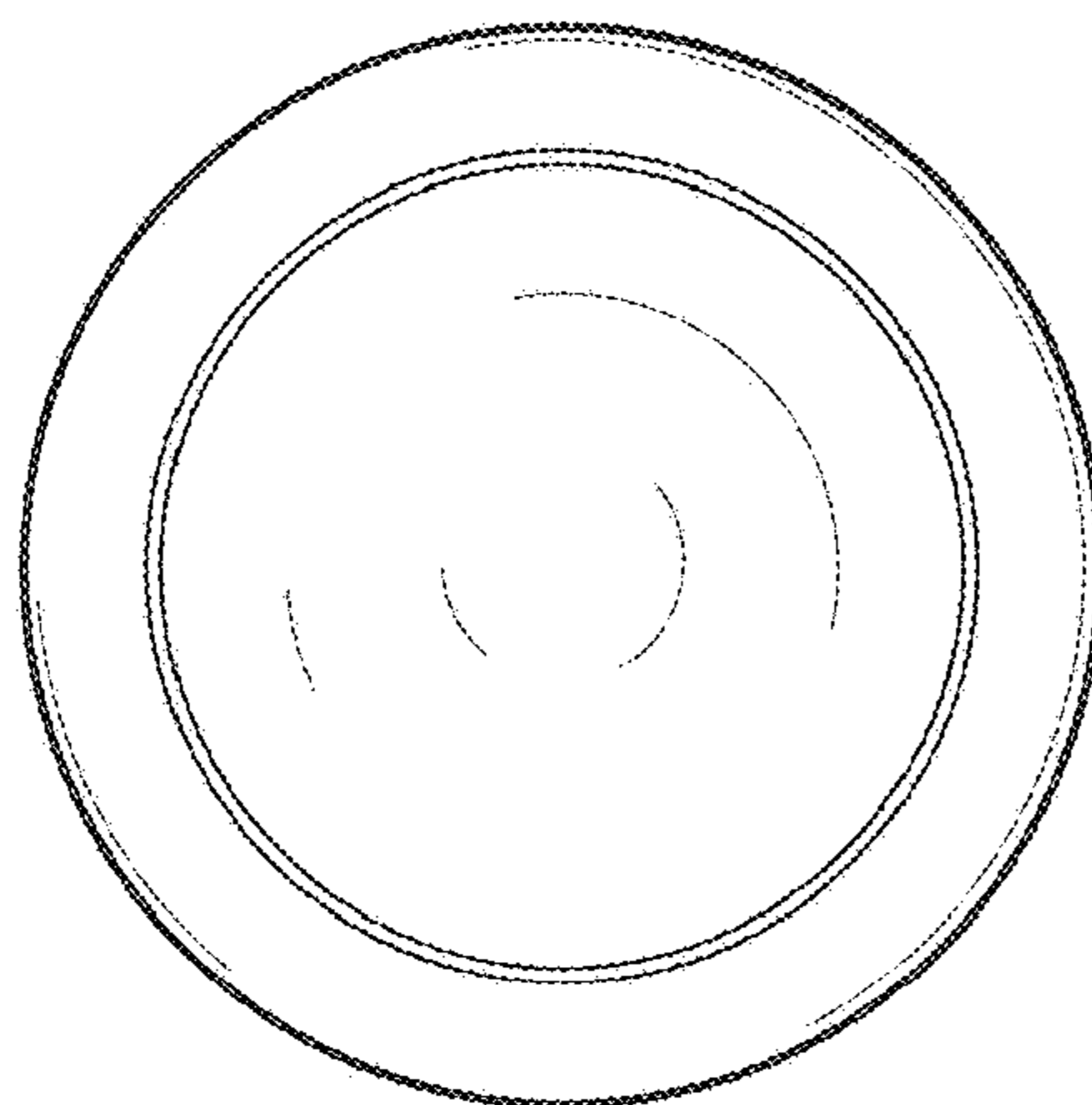


FIG. 19

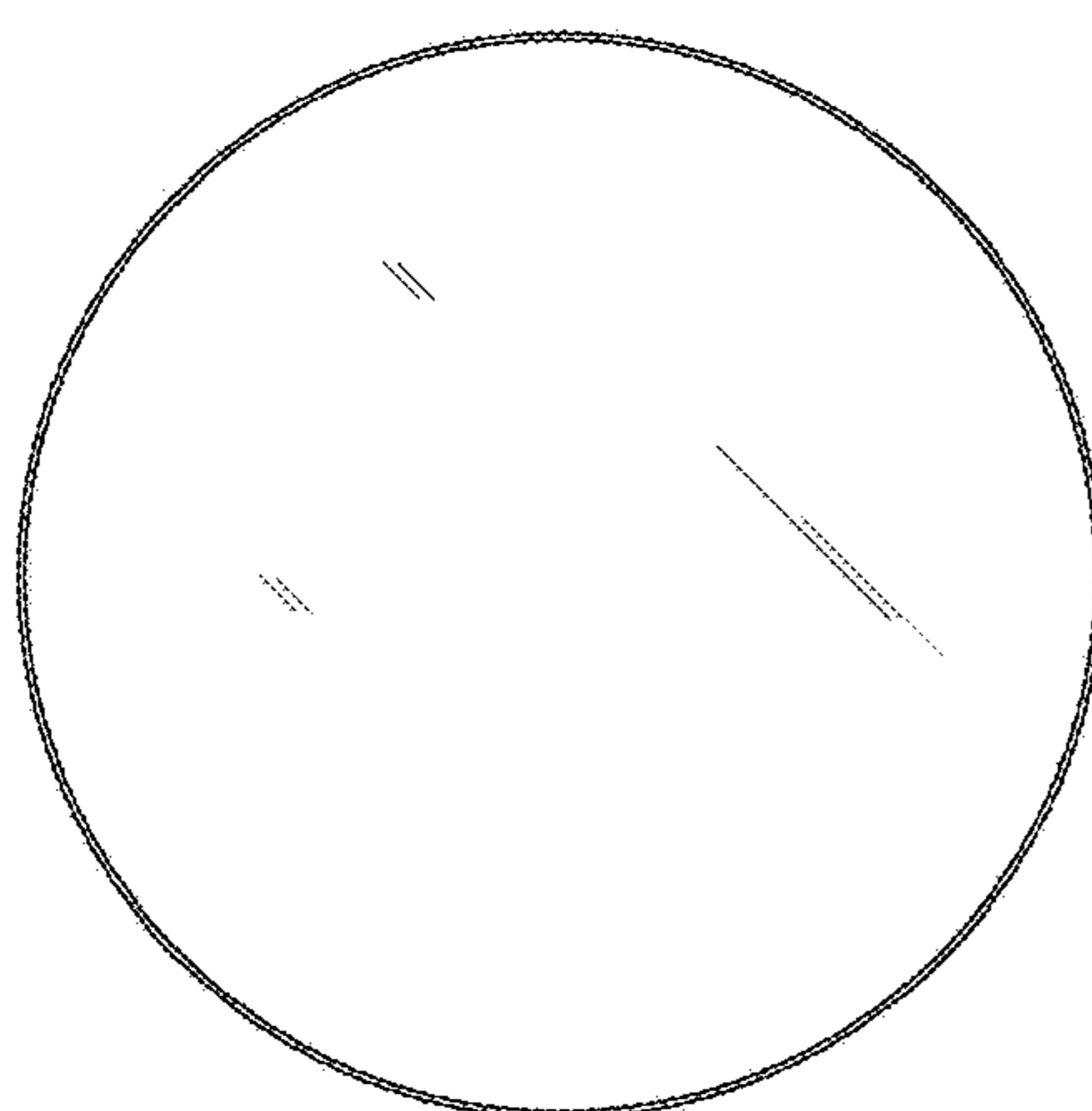


FIG. 20

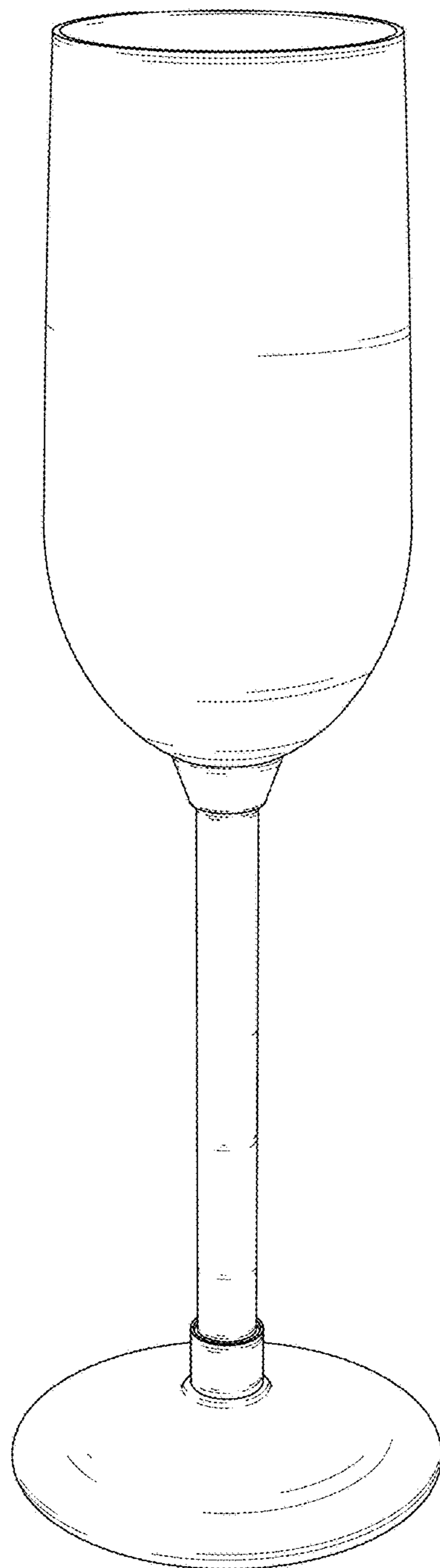


FIG. 21

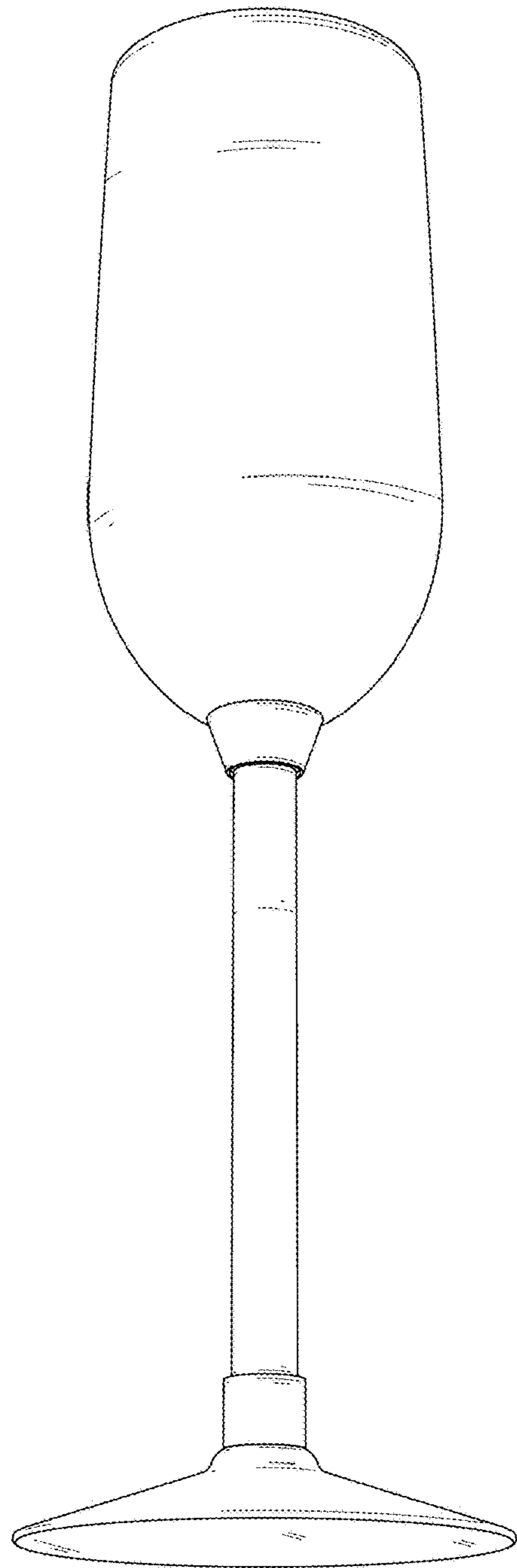


FIG. 22

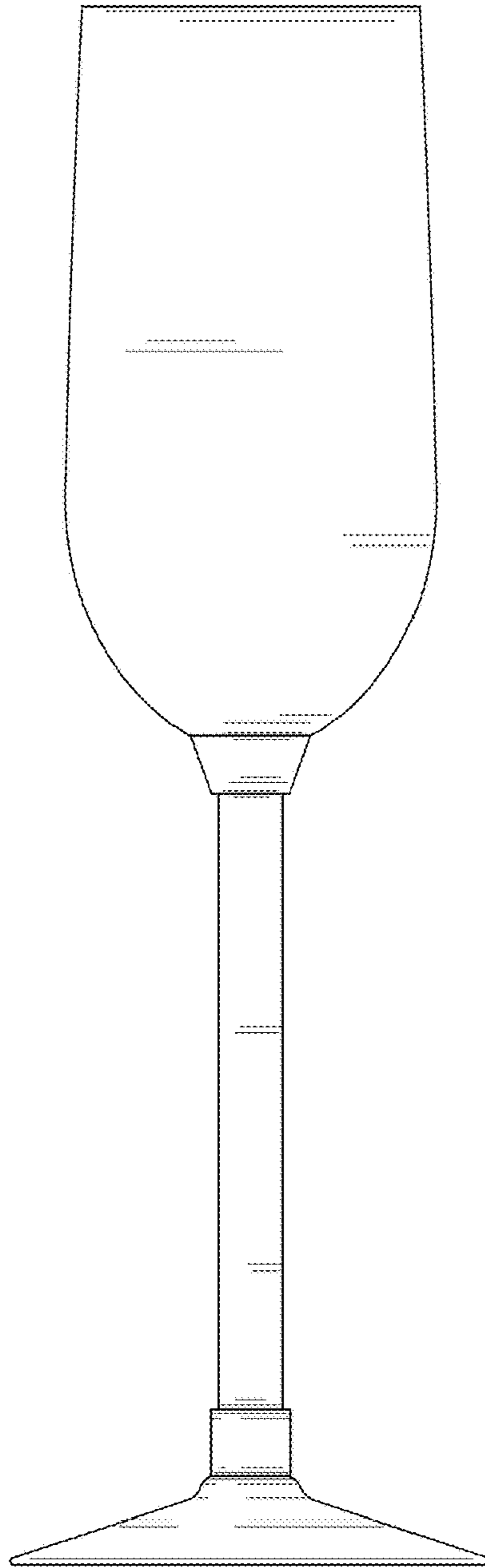


FIG. 23

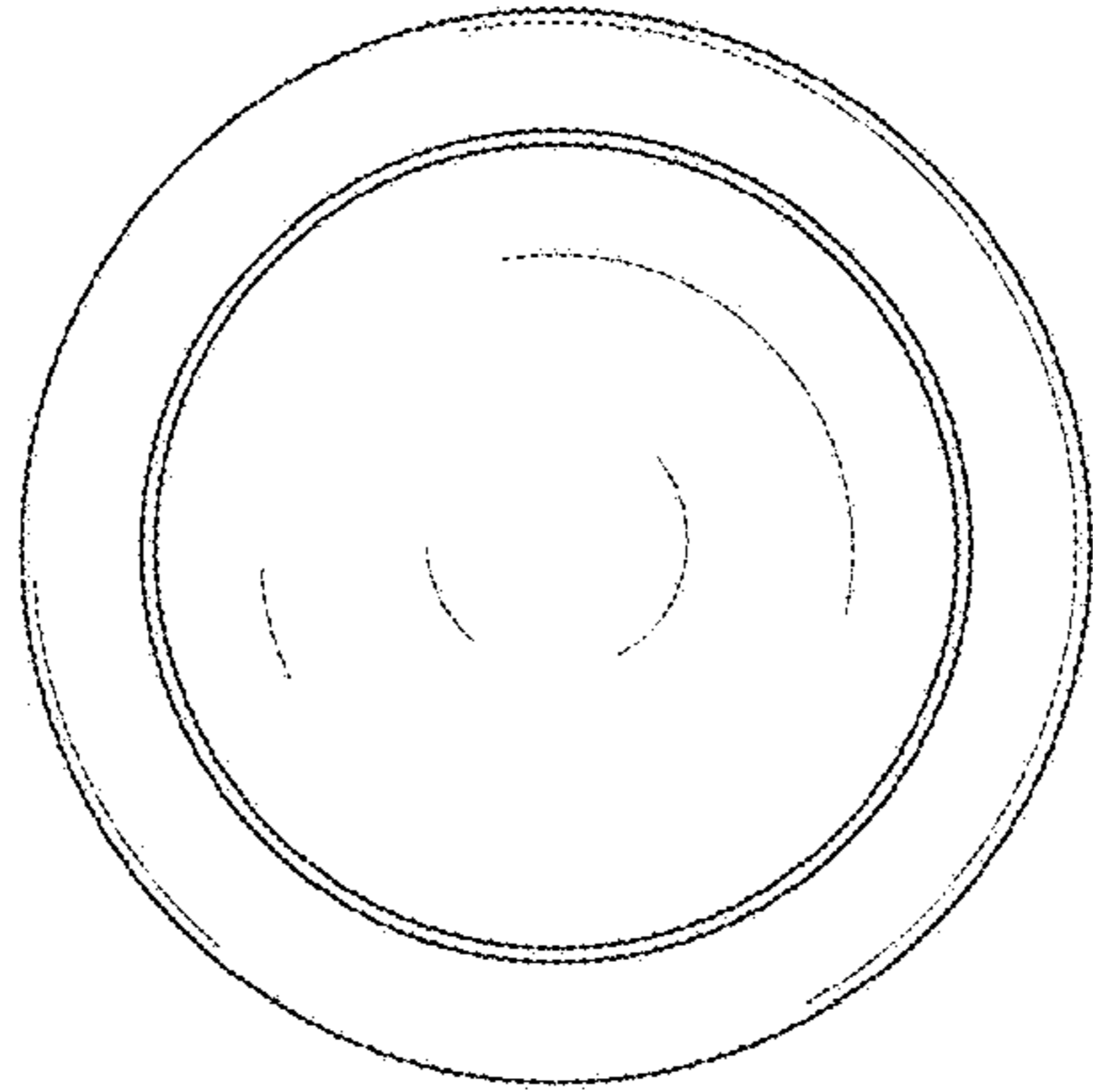


FIG. 24

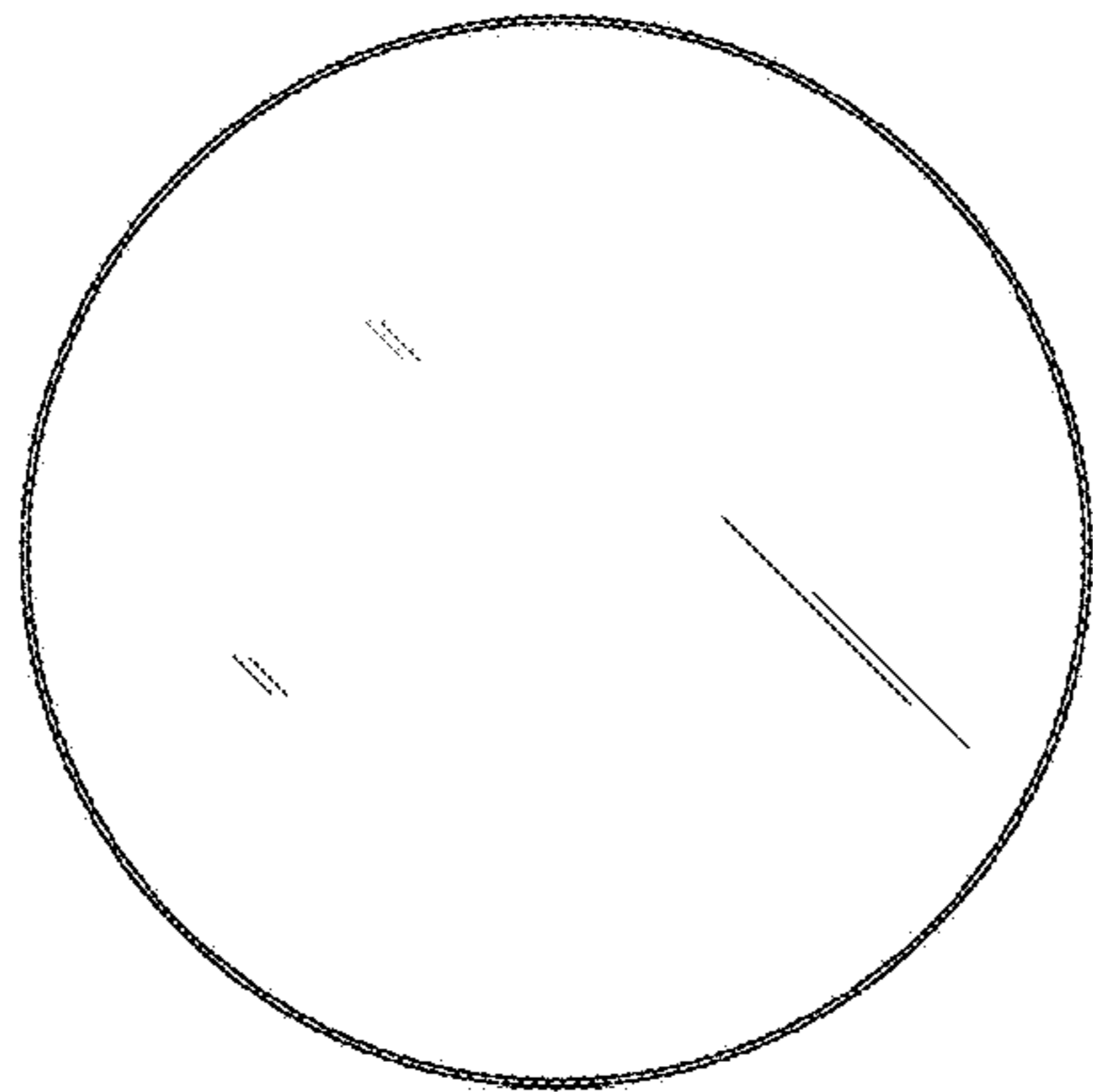


FIG. 25