



US00D855399S

(12) **United States Design Patent** (10) **Patent No.:** **US D855,399 S**
Berge (45) **Date of Patent:** **** Aug. 6, 2019**

(54) **APPARATUS FOR PREPARING BACON**

(71) Applicant: **National Presto Industries, Inc.**, Eau Claire, WI (US)

(72) Inventor: **Michael R. Berge**, Eau Claire, WI (US)

(73) Assignee: **National Presto Industries, inc.**, Eau Claire, WI (US)

(**) Term: **15 Years**

(21) Appl. No.: **29/603,856**

(22) Filed: **May 12, 2017**

(51) **LOC (12) Cl.** **07-02**

(52) **U.S. Cl.**
USPC **D7/412**; D7/354; D7/409

(58) **Field of Classification Search**
USPC D7/323, 354-361, 396.1, 402, 543, 545, D7/549, 550.1, 553.1-553.8, 554.1-554.4, D7/555, 584, 586, 629, 688; D9/430-433, 455-456, 737, 756-762
CPC .. A21B 1/02; A21B 3/00; A21B 3/003; A21B 3/13; A21B 3/15; A21B 3/134; A21B 5/00; A21B 5/02; A47J 27/04; A47J 36/022; A47J 36/025; A47J 36/027; A47J 37/00; A47J 37/04; A47J 43/28; A47J 43/284; B65D 1/22; B65D 1/24; B65D 1/34; B65D 1/36; B65D 81/343; B65D 85/36

See application file for complete search history.

(56) **References Cited**

U.S. PATENT DOCUMENTS

1,850,463 A * 3/1932 Kleczewski A21B 3/13 220/4.28
D256,650 S * 9/1980 Juster D7/325
4,793,324 A * 12/1988 Caferro A21B 1/02 126/369
D333,944 S * 3/1993 Denzin A21B 1/02 D7/392.1

D652,675 S * 1/2012 Miller D7/402
D702,483 S * 4/2014 Green D7/354
D768,270 S * 10/2016 Yamamoto D23/323
D840,737 S * 2/2019 Berge D7/323
2006/0243141 A1* 11/2006 Mayer A47J 27/04 99/495

OTHER PUBLICATIONS

Presto Bacon Microwave Cooker, Black, Web printout, May 26, 2017, 7 pages.

* cited by examiner

Primary Examiner — Ricky Pham

(74) *Attorney, Agent, or Firm* — Patterson Thuent Pedersen, P.A.

(57) **CLAIM**

I claim the ornamental design for apparatus for preparing bacon, as shown and described.

DESCRIPTION

FIG. 1 is a front view of an apparatus for preparing bacon according to an embodiment of the invention.

FIG. 2 is a right side view of the apparatus for preparing bacon depicted in FIG. 1.

FIG. 3 is a rear view of the apparatus for preparing bacon depicted in FIG. 1.

FIG. 4 is a left side view of the apparatus for preparing bacon depicted in FIG. 1.

FIG. 5 is a top view of the apparatus for preparing bacon depicted in FIG. 1.

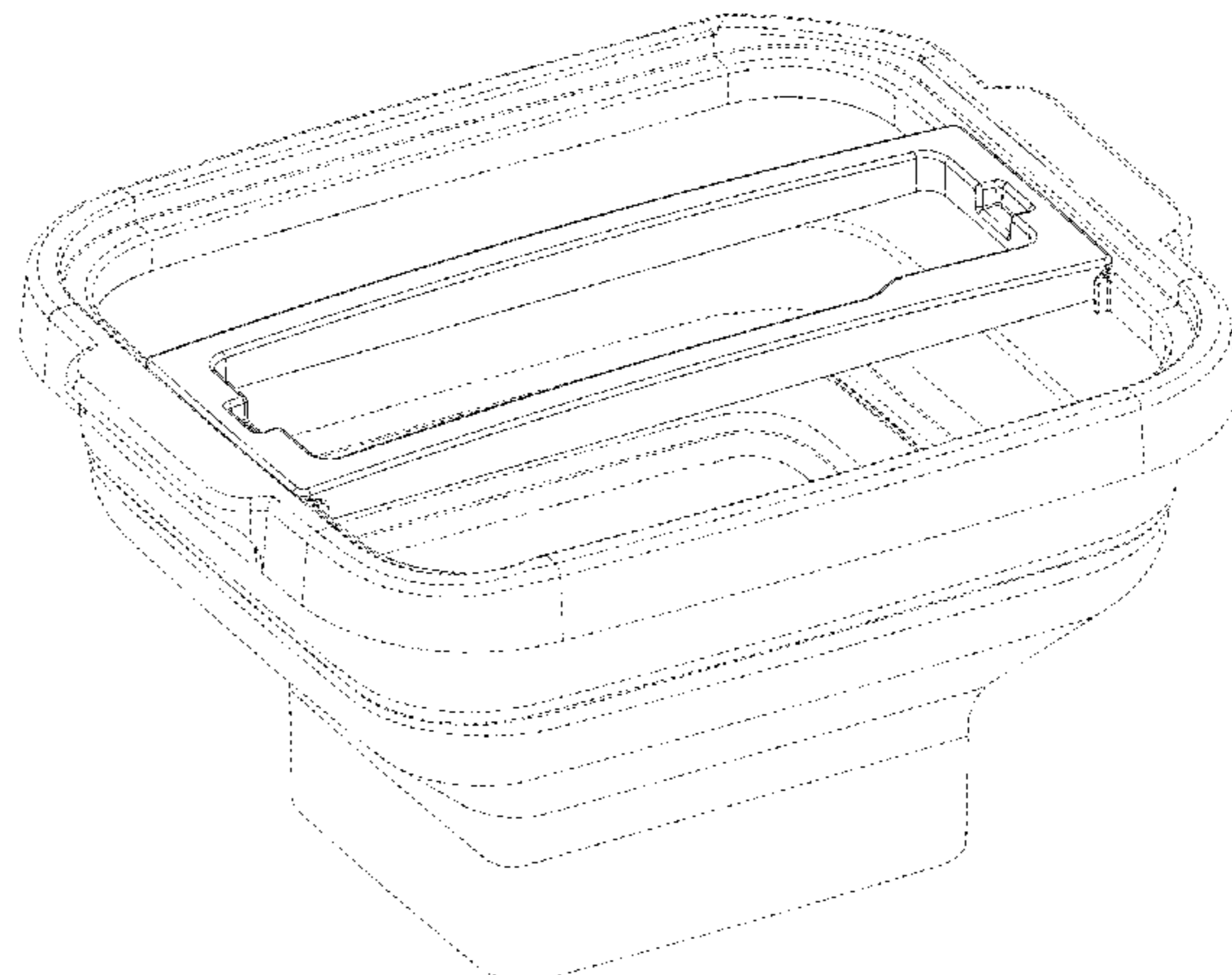
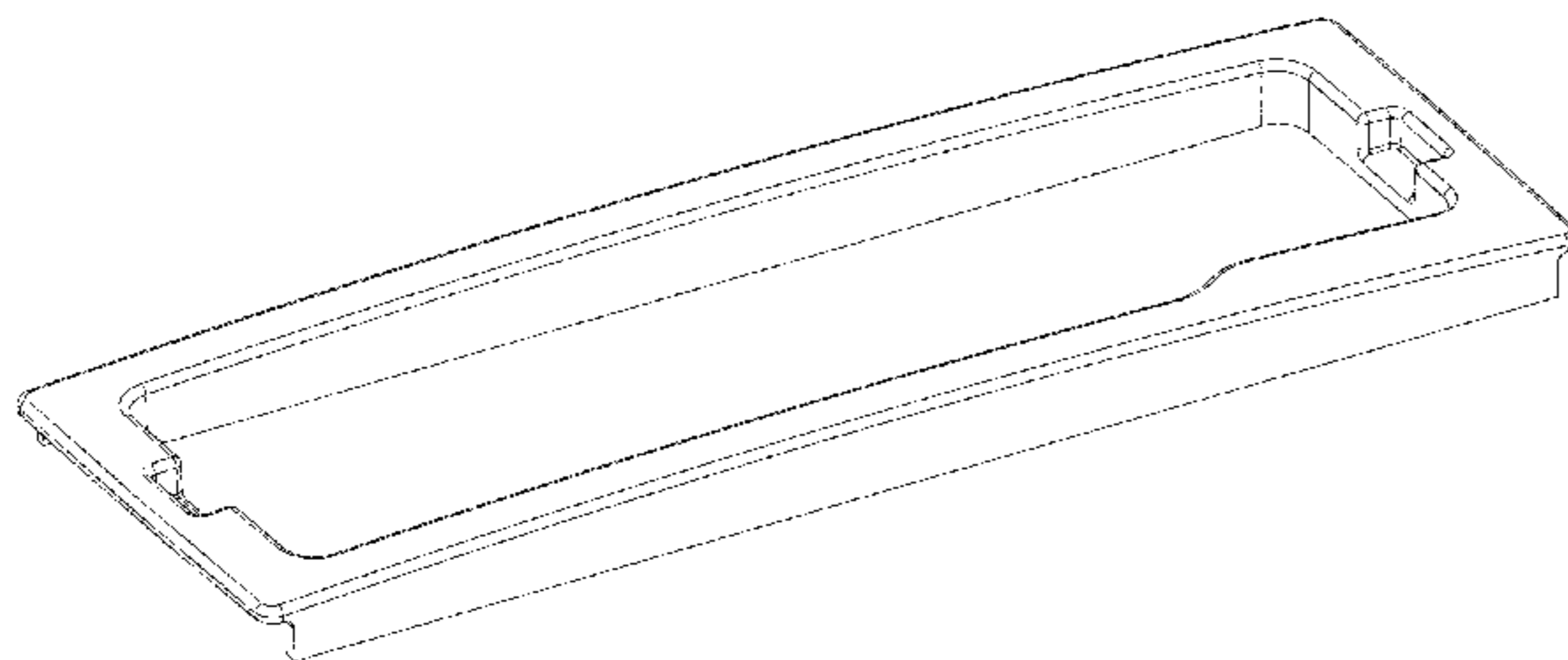
FIG. 6 is a bottom view of the apparatus for preparing bacon depicted in FIG. 1.

FIG. 7 is a front, perspective view of the apparatus for preparing bacon depicted in FIG. 1; and,

FIG. 8 is a rear, perspective view of the apparatus for preparing bacon depicted in FIG. 1.

Items shown in broken lines are for illustrative purposes only and form no part of the claimed invention.

1 Claim, 8 Drawing Sheets



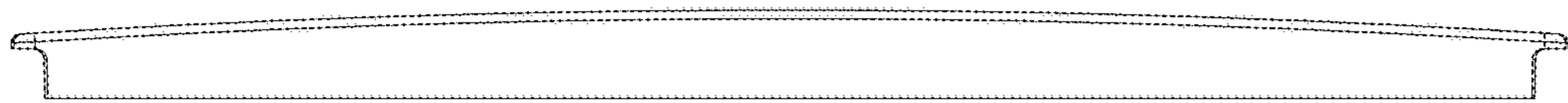


FIG. 1

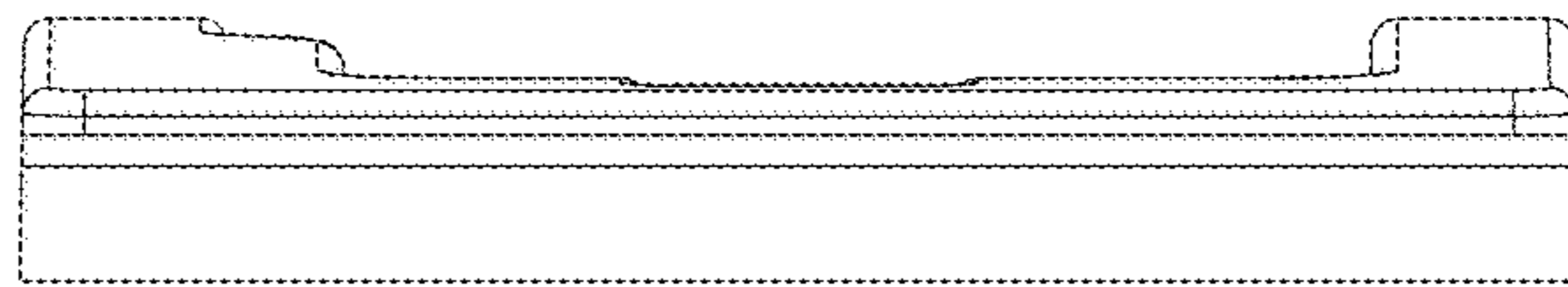


FIG. 2



FIG. 3

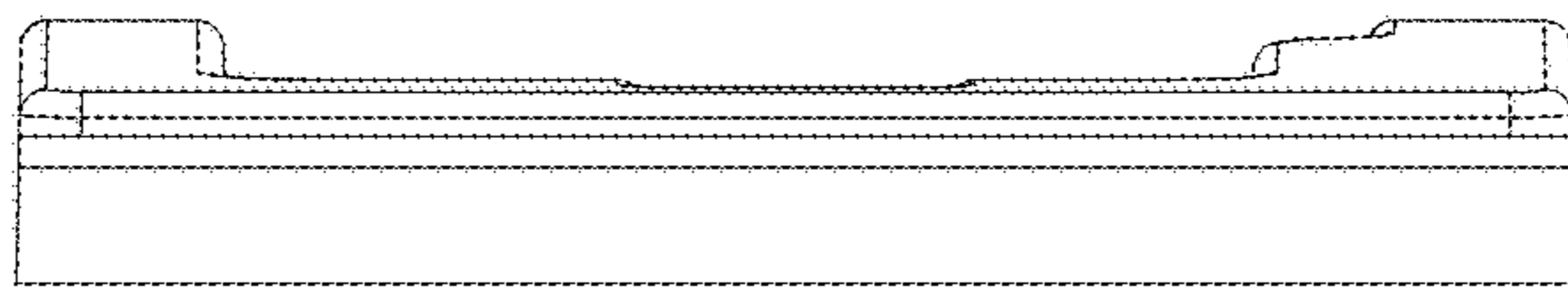


FIG. 4

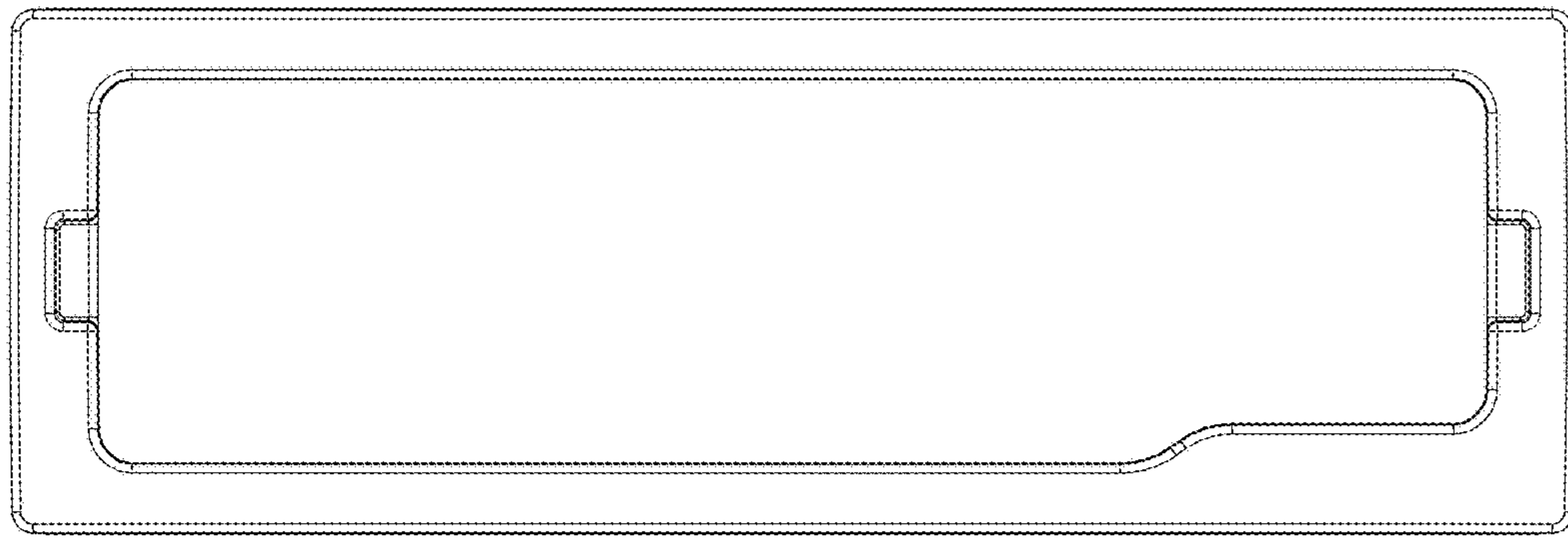


FIG. 5

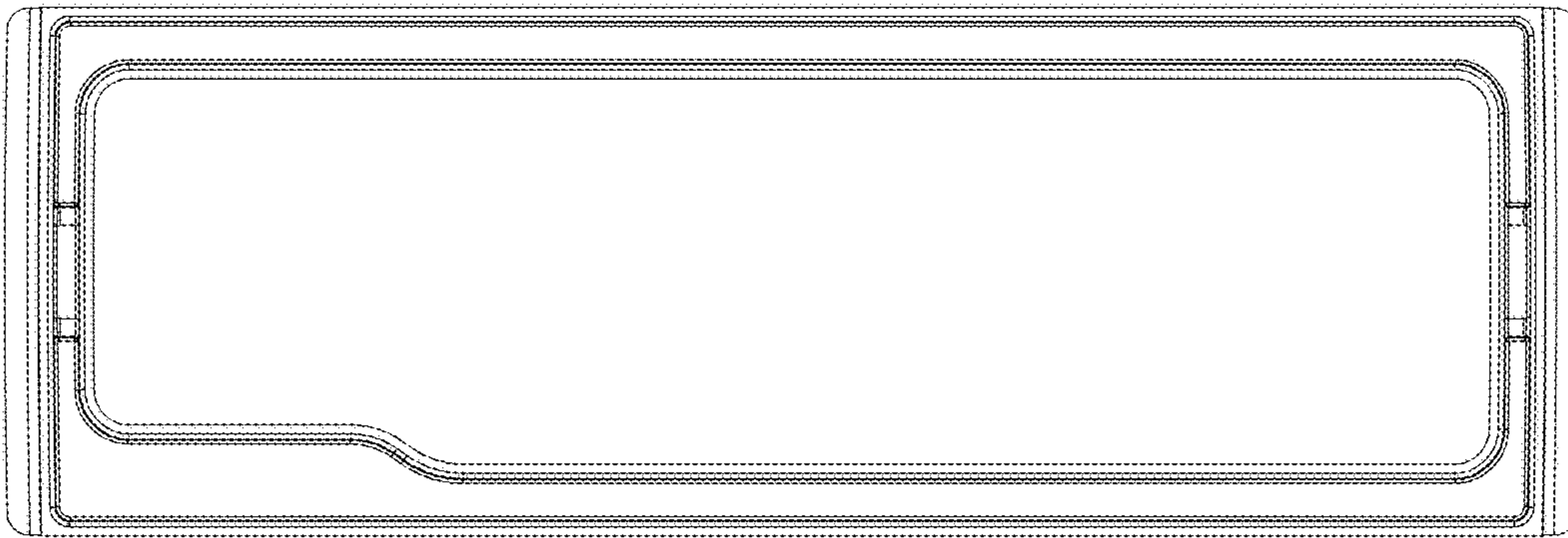


FIG. 6

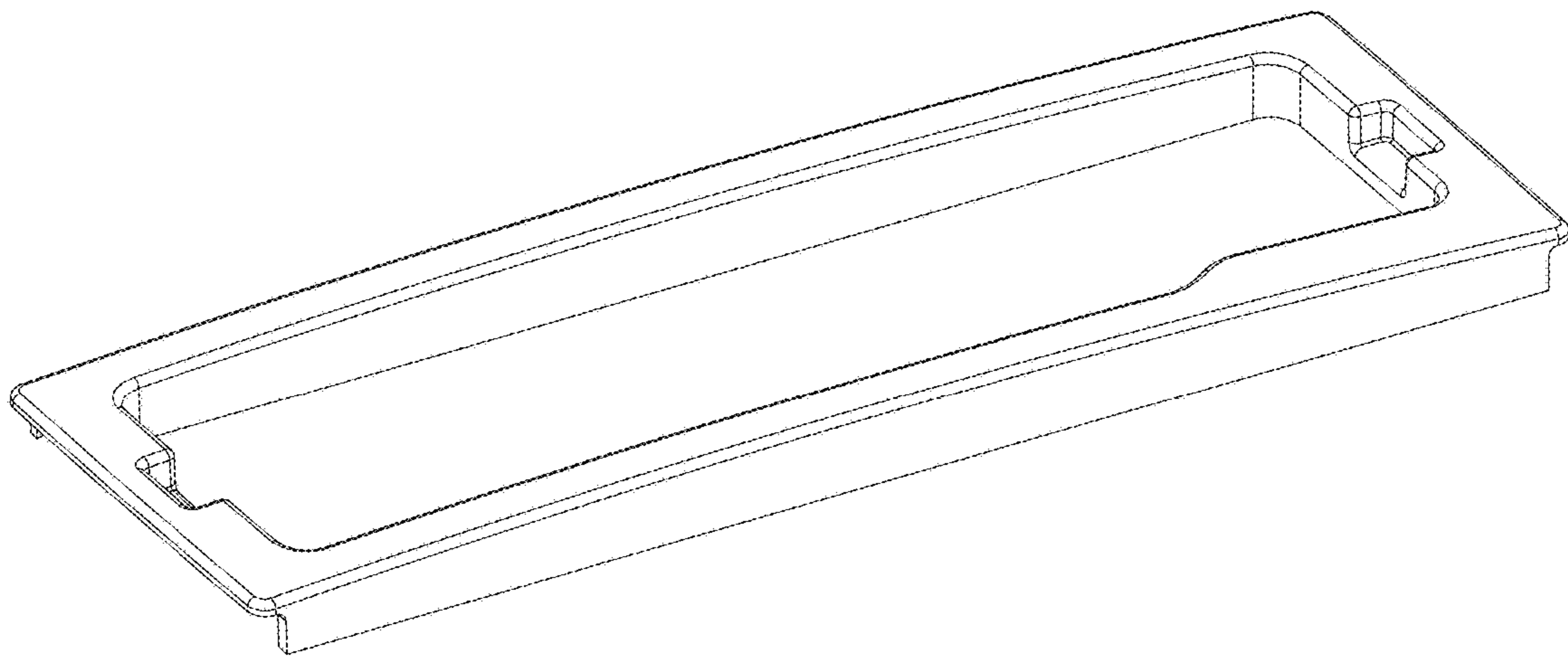


FIG. 7

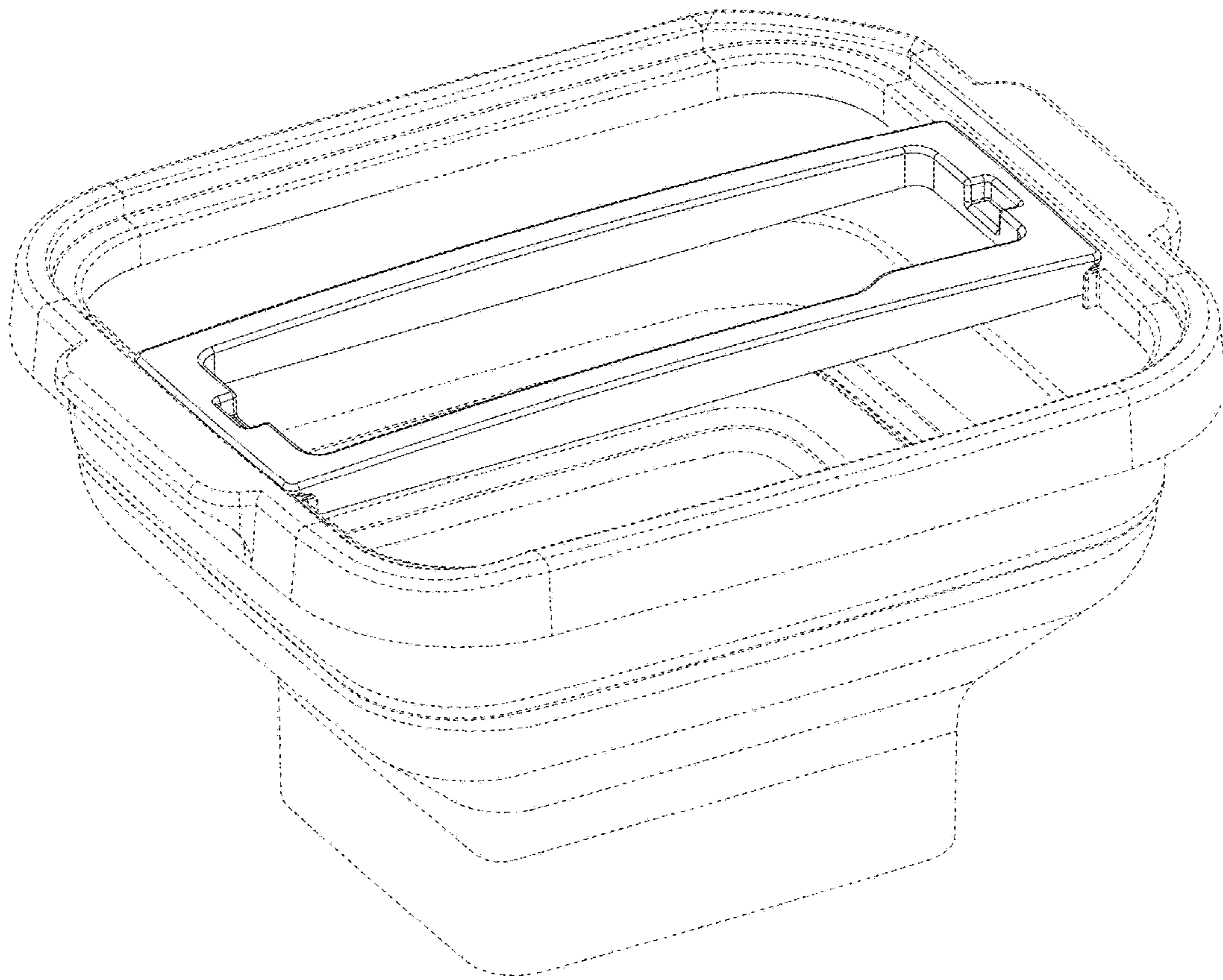


FIG. 8