



US00D855397S

(12) **United States Design Patent**
Langohr

(10) **Patent No.:** **US D855,397 S**

(45) **Date of Patent:** **** Aug. 6, 2019**

(54) **FIRE RING GAS BURNER**

(71) Applicant: **Brian Langohr**, San Juan Capistrano,
CA (US)

(72) Inventor: **Brian Langohr**, San Juan Capistrano,
CA (US)

(**) Term: **15 Years**

(21) Appl. No.: **29/614,221**

(22) Filed: **Aug. 17, 2017**

(51) **LOC (12) Cl.** **07-02**

(52) **U.S. Cl.**
USPC **D7/407**

(58) **Field of Classification Search**
USPC D7/332-337, 339-341, 346-349,
D7/354-356, 362, 363, 366, 367, 396.1,
D7/402-407

CPC F23D 14/00; F23D 14/02; F23D 14/04;
F24C 3/08; H05B 2213/07; H05B 3/68
See application file for complete search history.

(56) **References Cited**

U.S. PATENT DOCUMENTS

D184,450 S * 2/1959 Morton D7/337
D342,865 S * 1/1994 Addison D7/402
D357,385 S * 4/1995 Addison D7/407

D364,534 S * 11/1995 Brown D7/407
D439,801 S * 4/2001 Measom D7/407
D581,214 S * 11/2008 Rosa D7/407
D769,054 S * 10/2016 Lee D7/352
D770,221 S * 11/2016 Lee D7/352
D795,002 S * 8/2017 Lee D7/352

* cited by examiner

Primary Examiner — Sheryl Lane
Assistant Examiner — Nicole C Shiflet

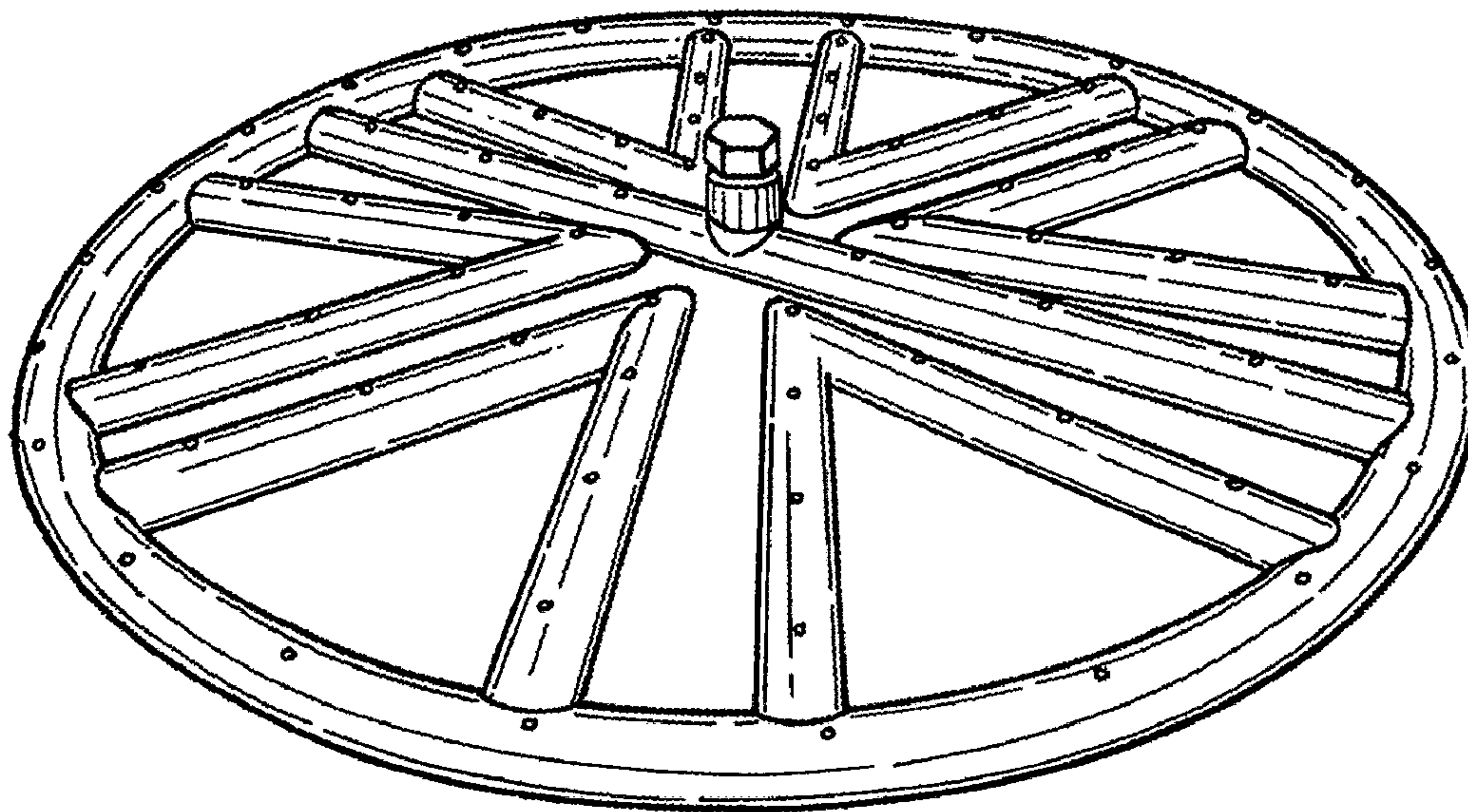
(57) **CLAIM**

The ornamental design for a fire ring gas burner, as shown and described.

DESCRIPTION

FIG. 1 is a perspective view of a fire ring gas burner according to the present design;
FIG. 2 is a top view of the fire ring gas burner of FIG. 1;
FIG. 3 is a bottom view of the fire ring gas burner of FIG. 1;
FIG. 4 is a front view of the fire ring gas burner of FIG. 1;
FIG. 5 is a back side view of the fire ring gas burner of FIG. 1;
FIG. 6 is a left side view of the fire ring gas burner of FIG. 1; and,
FIG. 7 is a right side view of the fire ring gas burner of FIG. 1.

1 Claim, 4 Drawing Sheets



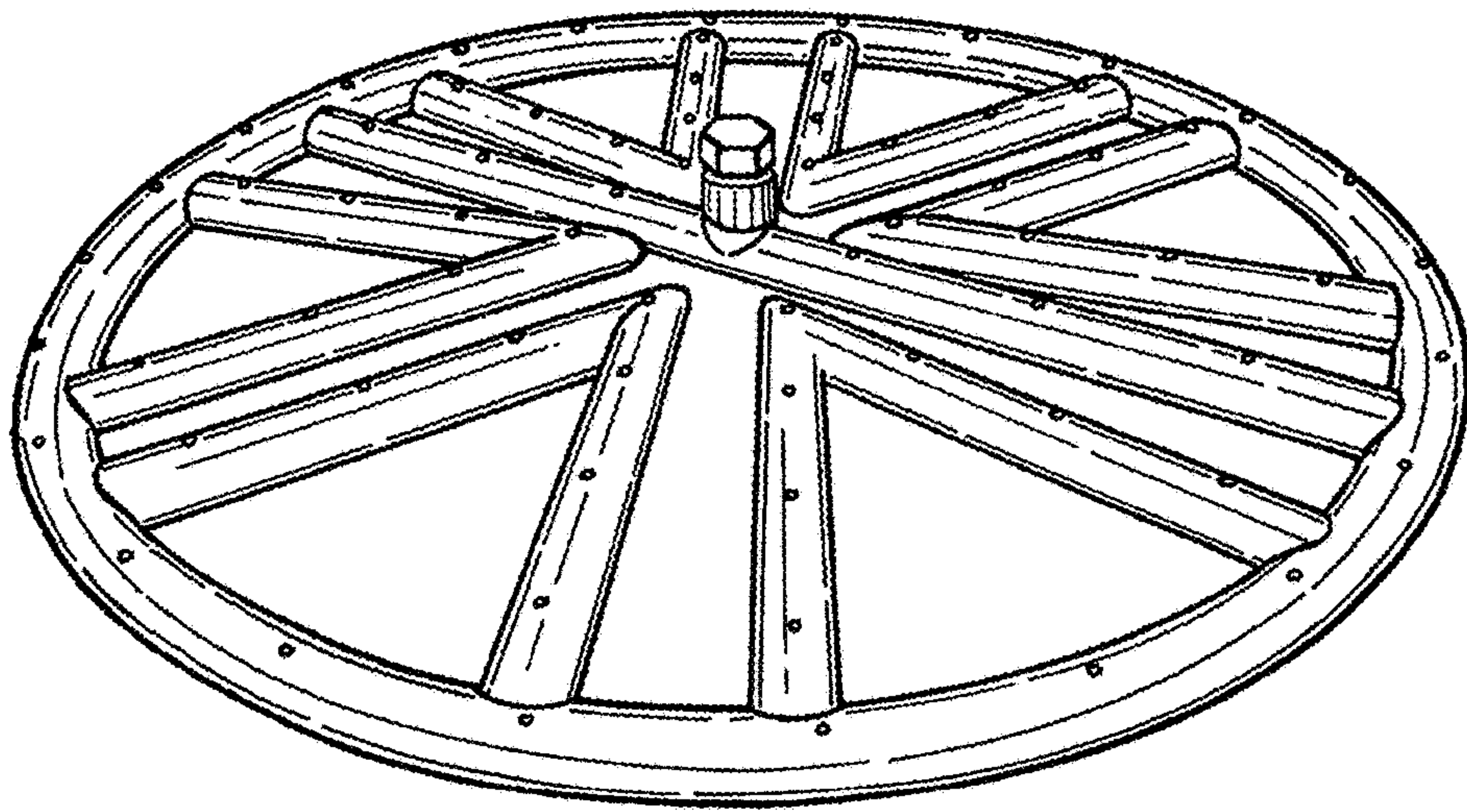


FIG.1

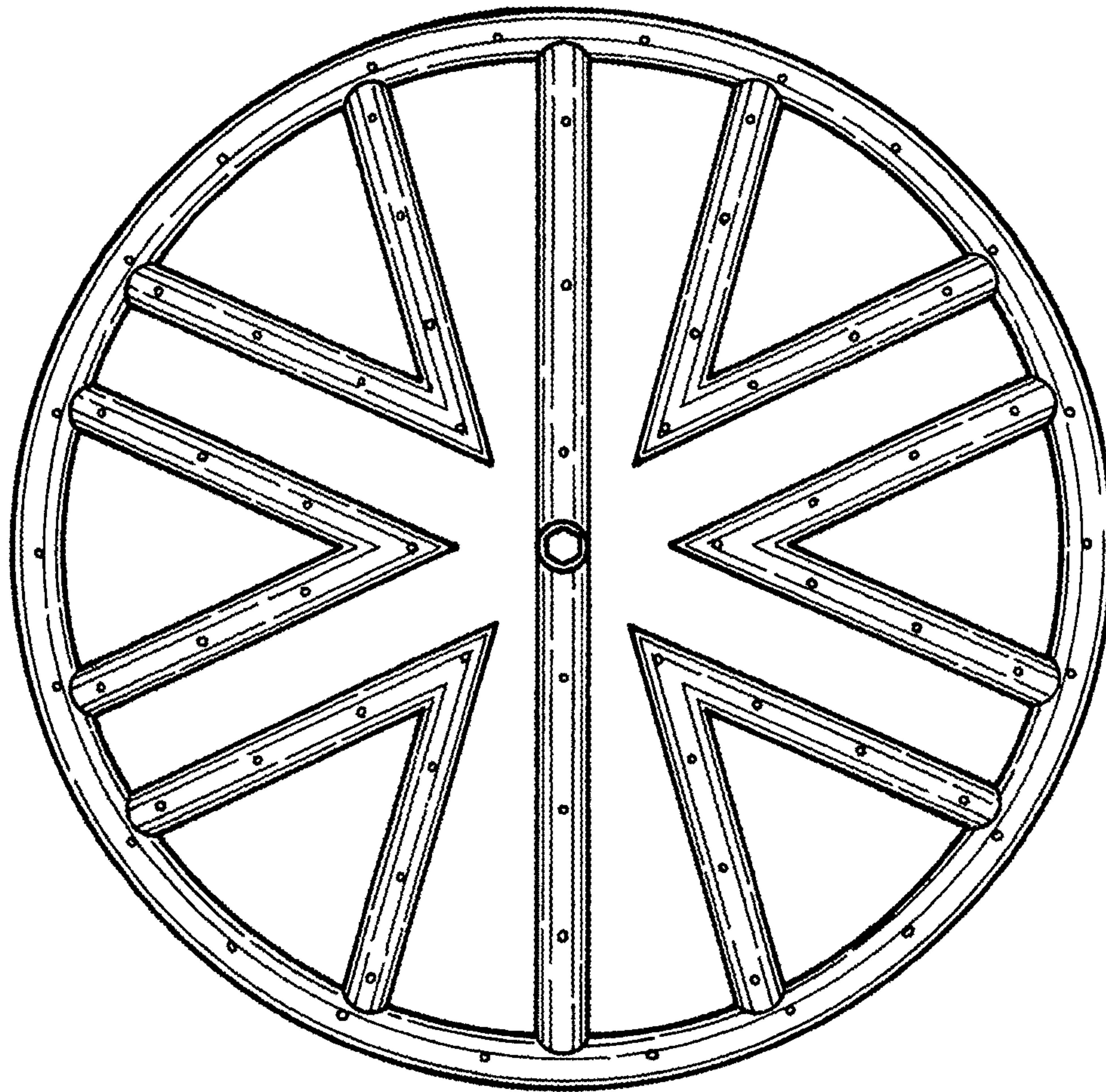


FIG.2

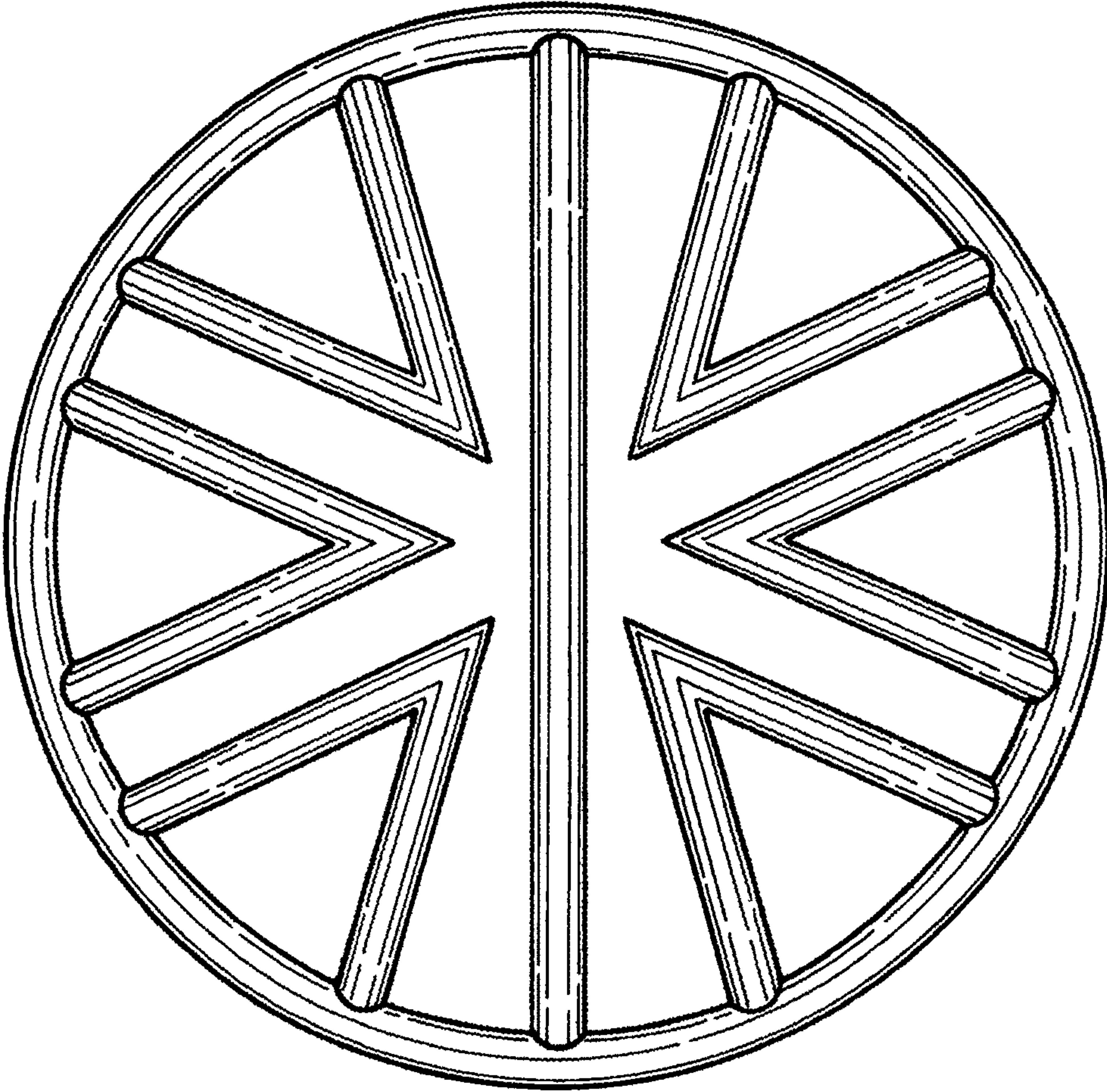


FIG.3

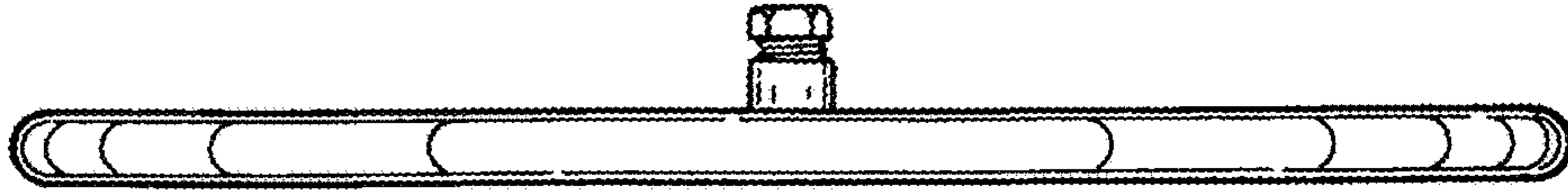


FIG. 4

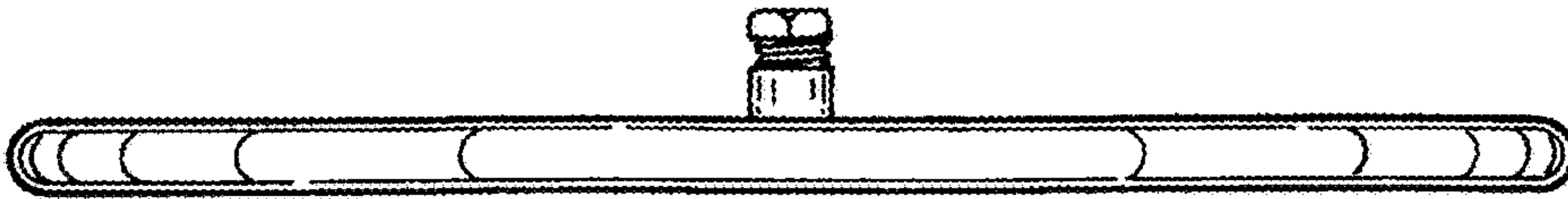


FIG. 5

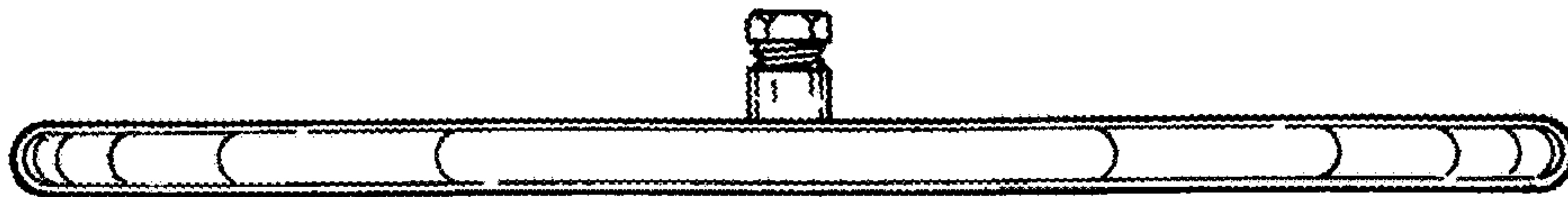


FIG. 6

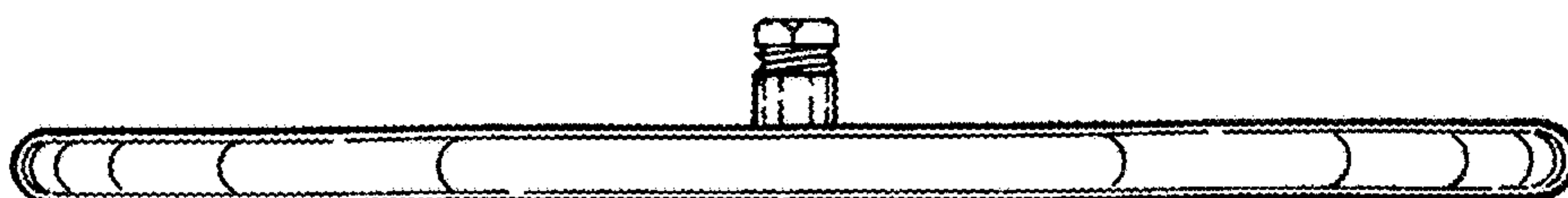


FIG. 7