

US00D855396S

(12) **United States Design Patent** (10) **Patent No.:** **US D855,396 S**  
**Zhang et al.** (45) **Date of Patent:** **\*\* \*Aug. 6, 2019**

(54) **FRYER**

(71) Applicant: **KONINKLIJKE PHILIPS N.V.**,  
Eindhoven (NL)  
(72) Inventors: **Mingshuo Zhang**, Amstelveen (NL);  
**Andreas Kowalewski**, Amsterdam (NL)  
(73) Assignee: **KONINKLIJKE PHILIPS N.V.**,  
Eindhoven (NL)

(\*) Notice: This patent is subject to a terminal disclaimer.

(\*\*) Term: **15 Years**

(21) Appl. No.: **35/501,198**

(22) Filed: **Jan. 11, 2016**

(80) **Hague Agreement Data**

Int. Filing Date: **Jan. 11, 2016**  
Int. Reg. No.: **DM/088996**  
Int. Reg. Date: **Jan. 11, 2016**  
Int. Reg. Pub. Date: **Jul. 15, 2016**

(30) **Foreign Application Priority Data**

Aug. 25, 2015 (EM) ..... 002759811-0006  
Aug. 25, 2015 (EM) ..... 002759811-0007  
Aug. 25, 2015 (EM) ..... 002759811-0008  
Aug. 25, 2015 (EM) ..... 002759811-0009

(51) **LOC (12) Cl.** ..... **07-02**

(52) **U.S. Cl.**  
USPC ..... **D7/405**

(58) **Field of Classification Search**  
USPC ..... D7/402-405, 354-361, 332-337, 323,  
D7/327, 339, 352  
CPC .... A47J 37/12; A47J 37/1204; A47J 37/1209;  
A47J 37/1257

See application file for complete search history.

(56) **References Cited**

U.S. PATENT DOCUMENTS

D387,243 S \* 12/1997 Bumoux ..... D7/354  
D436,795 S \* 1/2001 Martres ..... D7/354  
D449,958 S \* 11/2001 Liu ..... D7/356  
D452,795 S \* 1/2002 Johnson ..... D7/354  
D464,526 S \* 10/2002 Brown ..... D7/354

(Continued)

OTHER PUBLICATIONS

Philips Airfryer HD922026, by Philips, Amazon [online], date first available Jun. 5, 2013, [retrieved on Jun. 30, 2017]. Retrieved from the Internet <URL: [https://www.amazon.com/Philips-HD9220-26-Airfryer-Black/dp/B00D7N43UA/ref=sr\\_1\\_2?ie=UTF8&qid=1498793359&sr=8-2&keywords=philips+fryer](https://www.amazon.com/Philips-HD9220-26-Airfryer-Black/dp/B00D7N43UA/ref=sr_1_2?ie=UTF8&qid=1498793359&sr=8-2&keywords=philips+fryer)>.\*

(Continued)

*Primary Examiner* — Sheryl Lane  
*Assistant Examiner* — Nicole C Shiflet

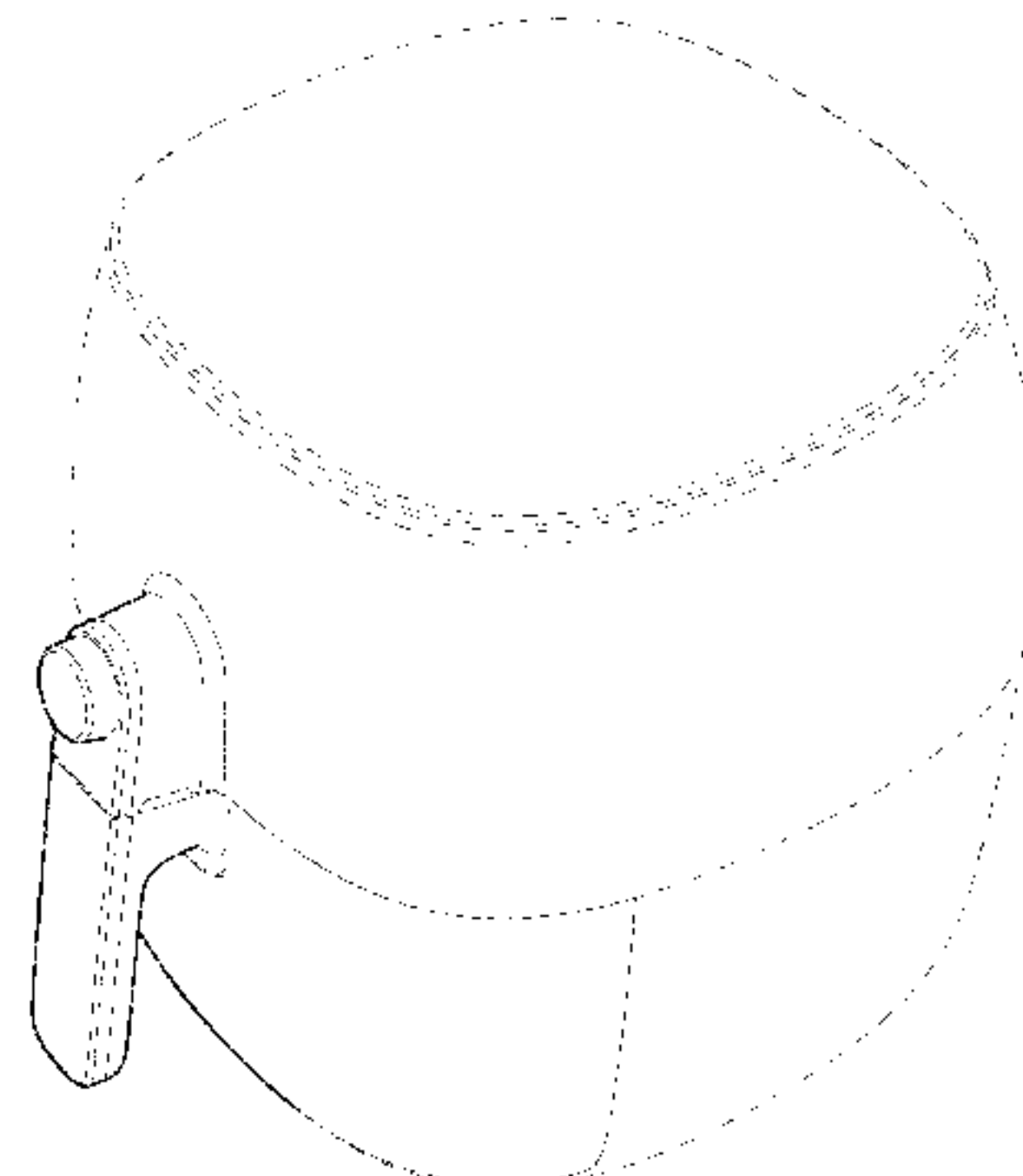
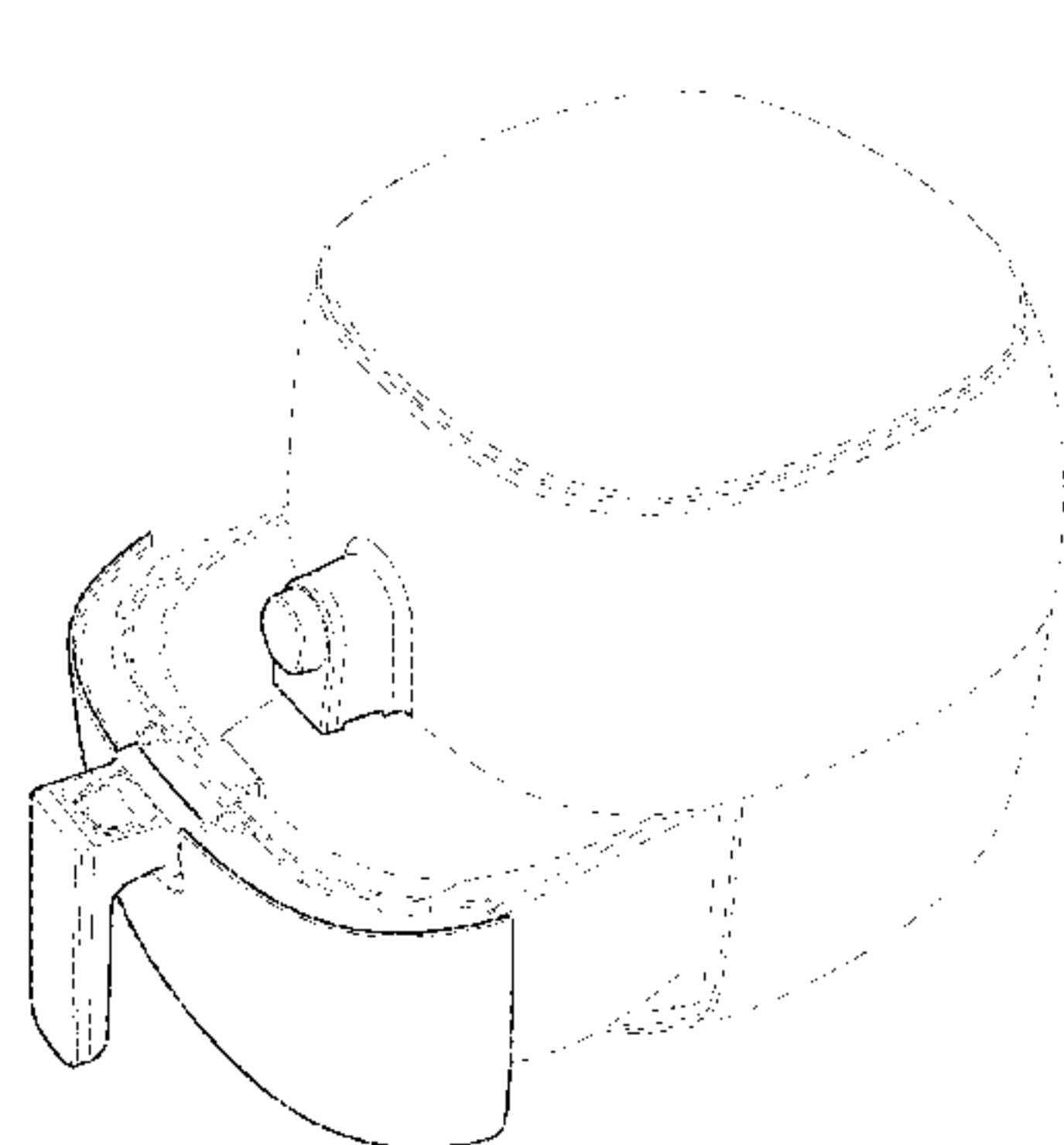
(57) **CLAIM**

The ornamental design for a fryer, as shown and described.

**DESCRIPTION**

**1.1** is a perspective view showing the fryer of our design with a food drawer in an open position;  
**1.2** is a front elevational view thereof;  
**1.3** is a left side elevational view thereof,  
**1.4** is a right side elevational view thereof;  
**1.5** is a top plan view thereof;  
**1.6** is a bottom plan view thereof,  
**1.7** is a perspective view showing the fryer of our design with the food drawer in a closed position;  
**1.8** is a front elevational view thereof;  
**1.9** is a left side elevational view thereof;  
**1.10** is a right side elevational view thereof;  
**1.11** is a top plan view thereof; and  
**1.12** is a bottom plan view thereof.

(Continued)



The portions of the fryer shown in broken lines are included for the purpose of illustrating unclaimed portions of the fryer and form no part of the claimed design.

**1 Claim, 10 Drawing Sheets**

(56)

**References Cited**

U.S. PATENT DOCUMENTS

6,742,444 B1 \* 6/2004 Lai ..... A47J 37/1209  
219/430  
D532,248 S \* 11/2006 Allende Fritsch ..... D7/354  
D592,008 S \* 5/2009 Reiner ..... D7/354  
D620,743 S \* 8/2010 Hsiao ..... D7/354  
D677,113 S \* 3/2013 Reiner ..... D7/354  
D680,802 S \* 4/2013 Seymour ..... D7/354  
D692,718 S \* 11/2013 Verbrugge ..... D7/354  
D704,500 S \* 5/2014 Kim ..... D7/354  
D719,397 S \* 12/2014 Krooshof ..... D7/354  
D734,973 S \* 7/2015 Leavitt ..... D7/323  
D738,671 S \* 9/2015 Ha ..... D7/323  
D750,418 S \* 3/2016 Allende Fritsch ..... D7/354  
D750,419 S \* 3/2016 Hu ..... D7/354  
D770,843 S \* 11/2016 Chung ..... D7/354  
D787,258 S \* 5/2017 Chung ..... D7/354  
D787,260 S \* 5/2017 Krooshof ..... D7/354  
D789,730 S \* 6/2017 Jozancy ..... D7/354  
D793,797 S \* 8/2017 Krooshof ..... D7/354  
D801,103 S \* 10/2017 Krooshof ..... D7/354  
D802,986 S \* 11/2017 Krooshof ..... D7/354

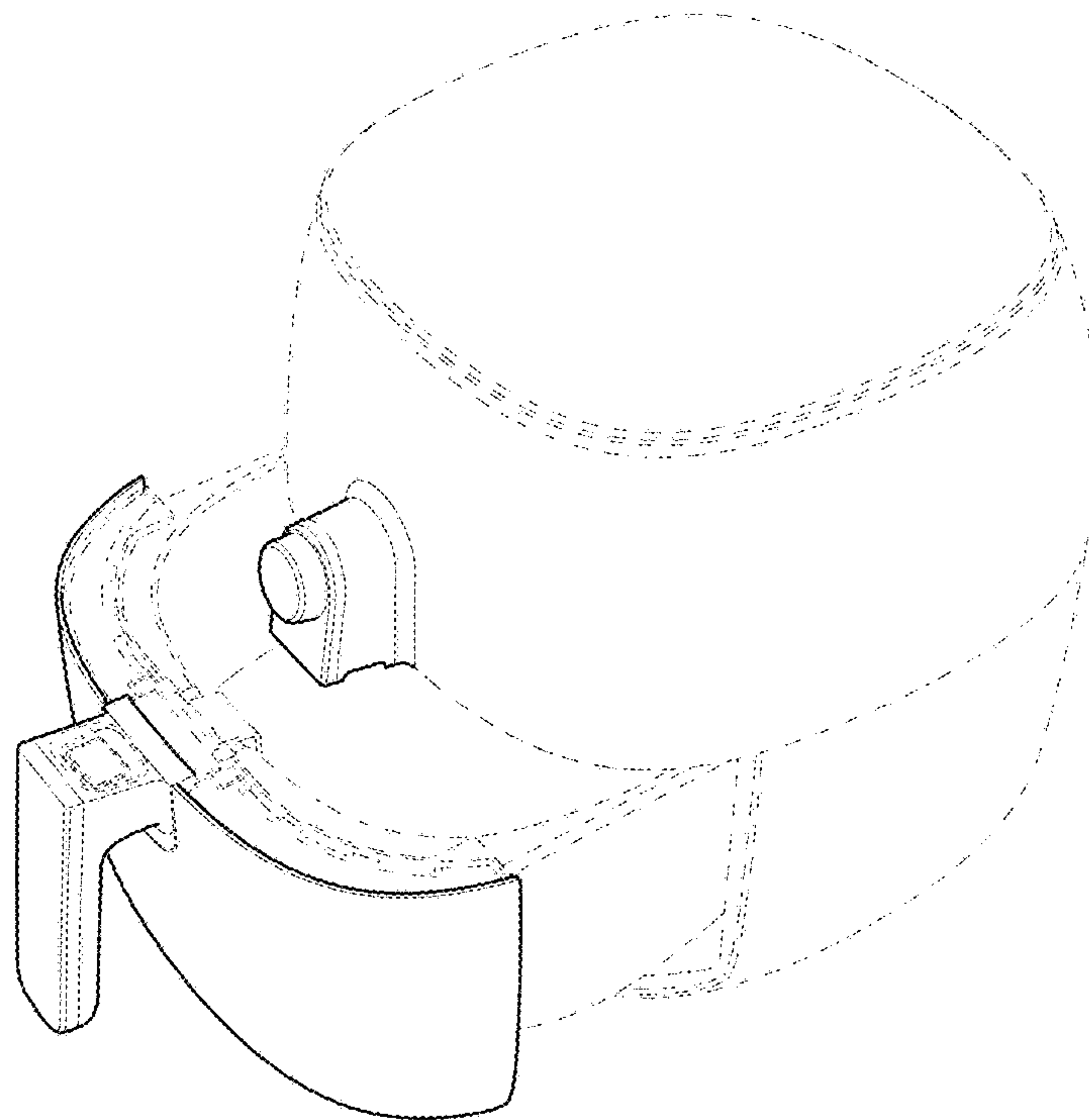
D803,615 S \* 11/2017 Zhang ..... D7/354  
D804,236 S \* 12/2017 Zhang ..... D7/354  
D816,390 S \* 5/2018 Zhang ..... D7/354  
D817,698 S \* 5/2018 Liu ..... D7/361  
D819,389 S \* 6/2018 Dutruel ..... D7/354  
D820,029 S \* 6/2018 Zhang ..... D7/354  
D820,030 S \* 6/2018 Zhang ..... D7/354  
D820,031 S \* 6/2018 Zhang ..... D7/354  
D836,381 S \* 12/2018 Moon ..... D7/354  
D839,040 S \* 1/2019 Seymour ..... D7/354  
2007/0028781 A1 \* 2/2007 Popeil ..... A47J 36/10  
99/407  
2009/0205511 A1 \* 8/2009 Tienor ..... A23L 5/11  
99/403  
2014/0318384 A1 \* 10/2014 Pinel ..... A47J 37/1223  
99/412

OTHER PUBLICATIONS

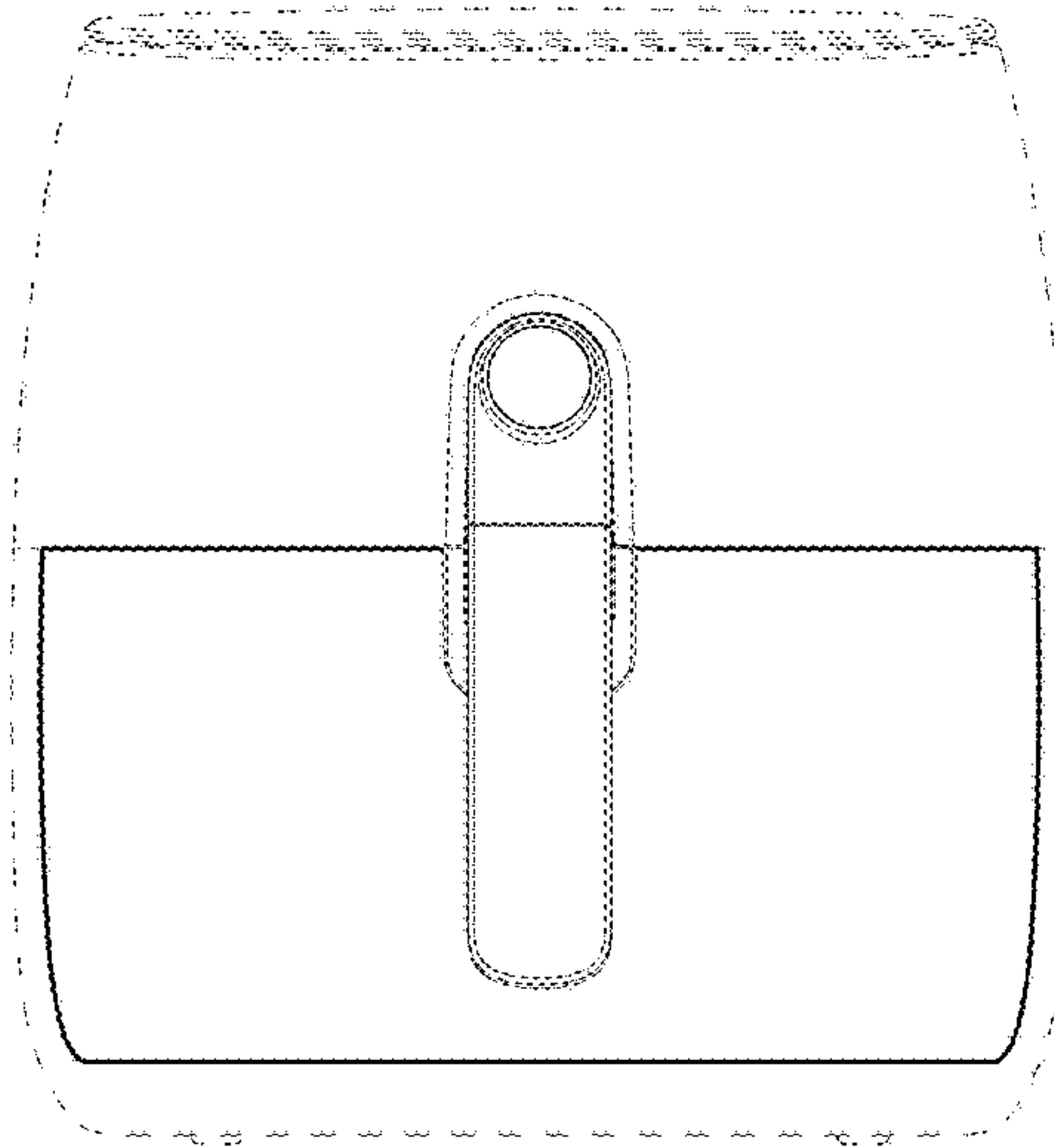
Philips HD694196 Airfryer Avance Turbo Star, by Philips, Amazon [online], date first available Apr. 6, 2017, [retrieved on Jun. 30, 2017]. Retrieved from the Internet <URL: [https://www.amazon.com/Philips-HD9641-96-Airfryer-Avance/dp/B06Y39KPZ4/ref=sr\\_1\\_4?ie=UTF8&qid=1498793359&sr=8-4&keywords=philips+fryer](https://www.amazon.com/Philips-HD9641-96-Airfryer-Avance/dp/B06Y39KPZ4/ref=sr_1_4?ie=UTF8&qid=1498793359&sr=8-4&keywords=philips+fryer)>.\*

Philips HD962196 Viva Turbo Star, by Philips, Amazon [online], date first available Apr. 20, 2017, [retrieved on Jun. 30, 2017]. Retrieved from the Internet <URL: [https://www.amazon.com/Philips-HD9621-96-Turbo-fryer/dp/B01N6NYF0B/ref=sr\\_1\\_12?ie=UTF8&qid=1498793359&sr=8-12&keywords=philips+fryer](https://www.amazon.com/Philips-HD9621-96-Turbo-fryer/dp/B01N6NYF0B/ref=sr_1_12?ie=UTF8&qid=1498793359&sr=8-12&keywords=philips+fryer)>.\*

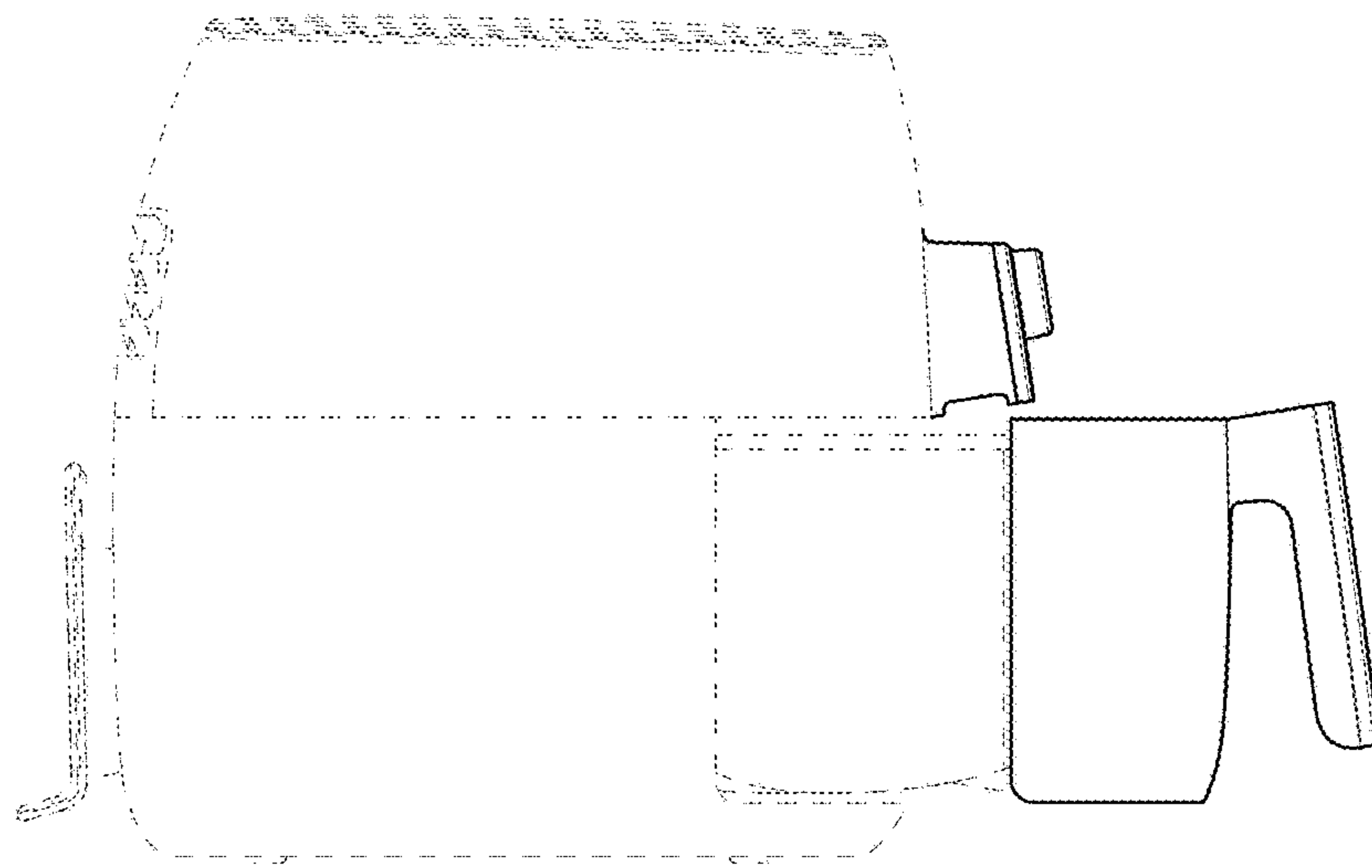
\* cited by examiner



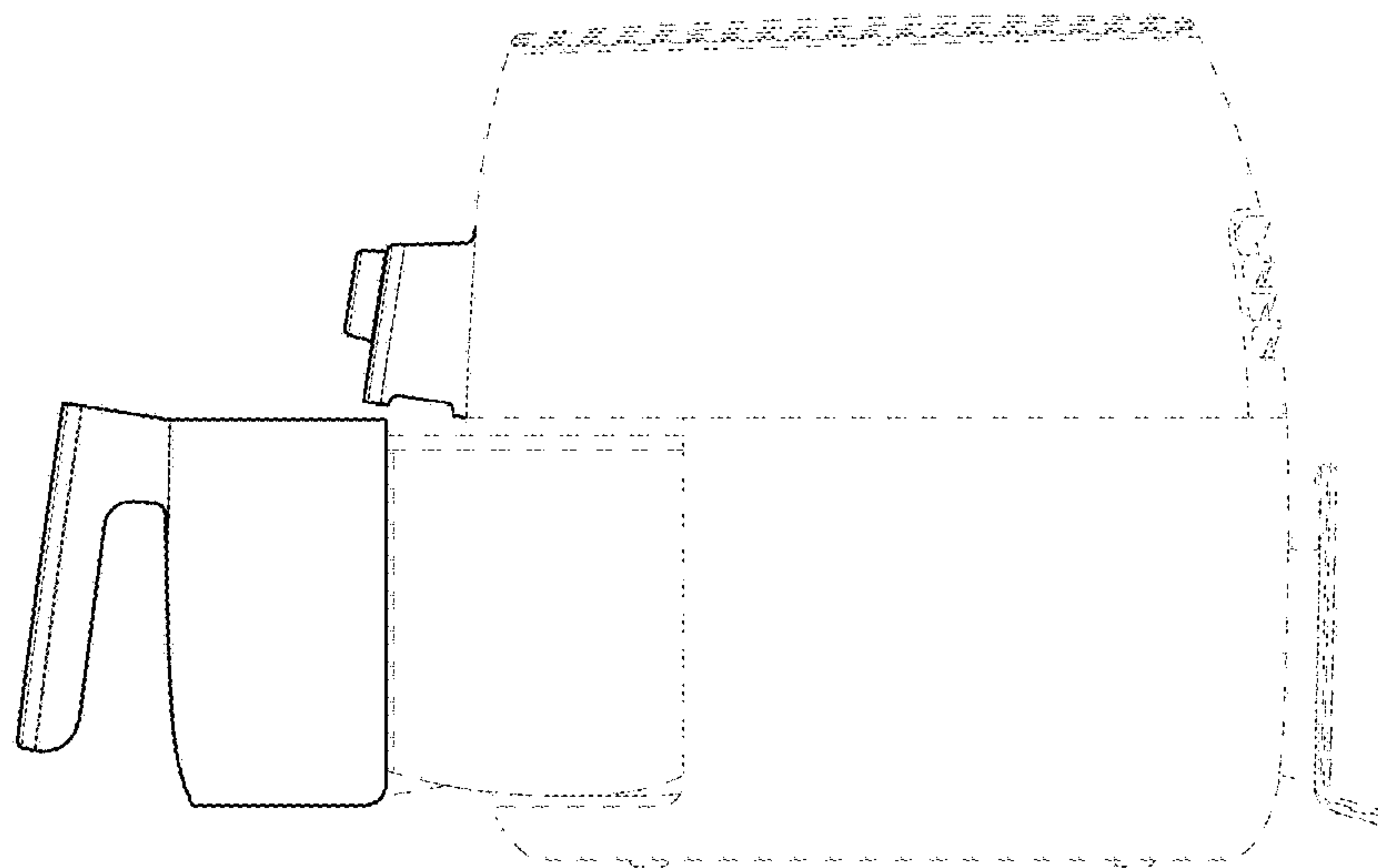
1.1



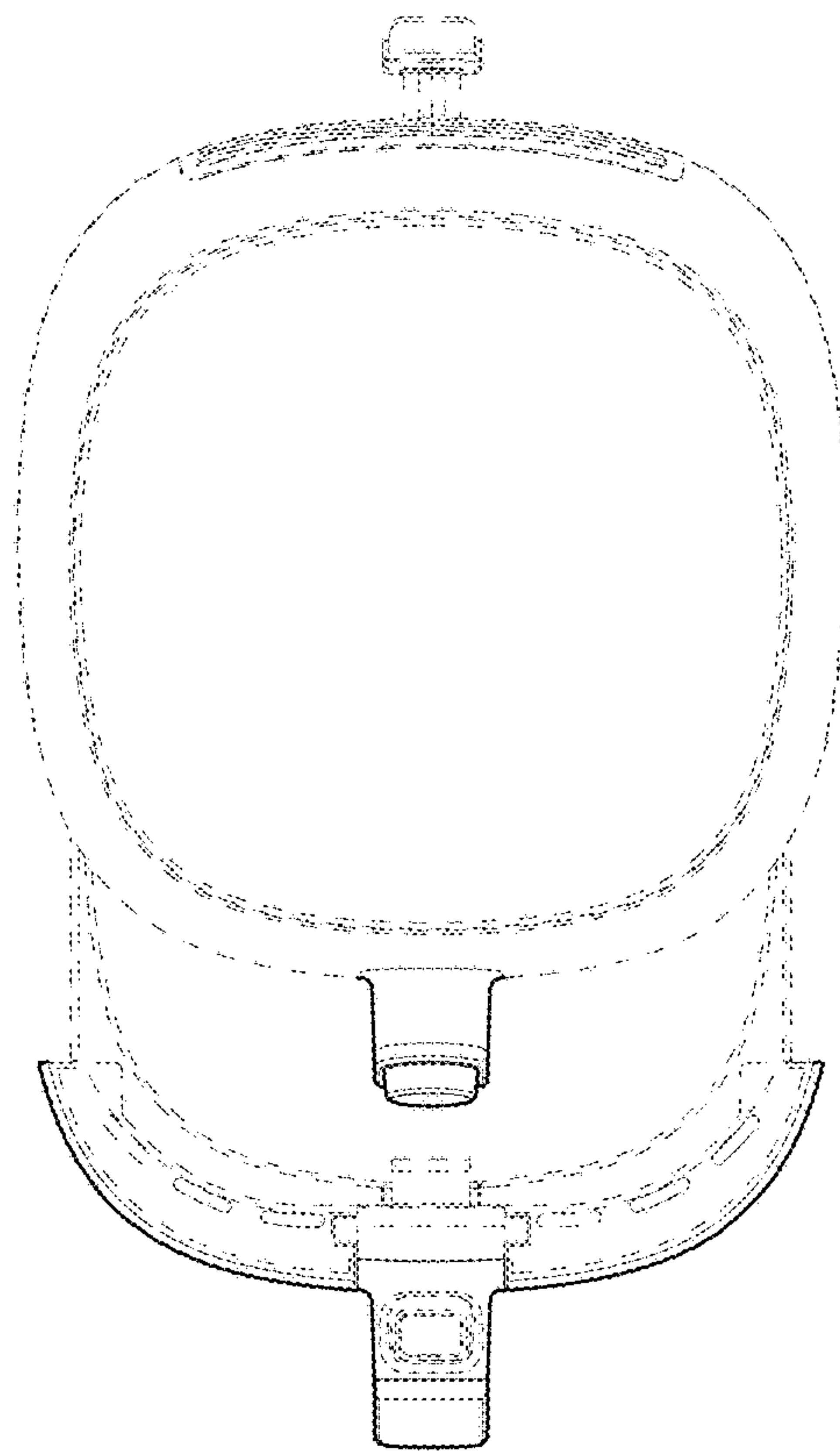
1.2



1.3

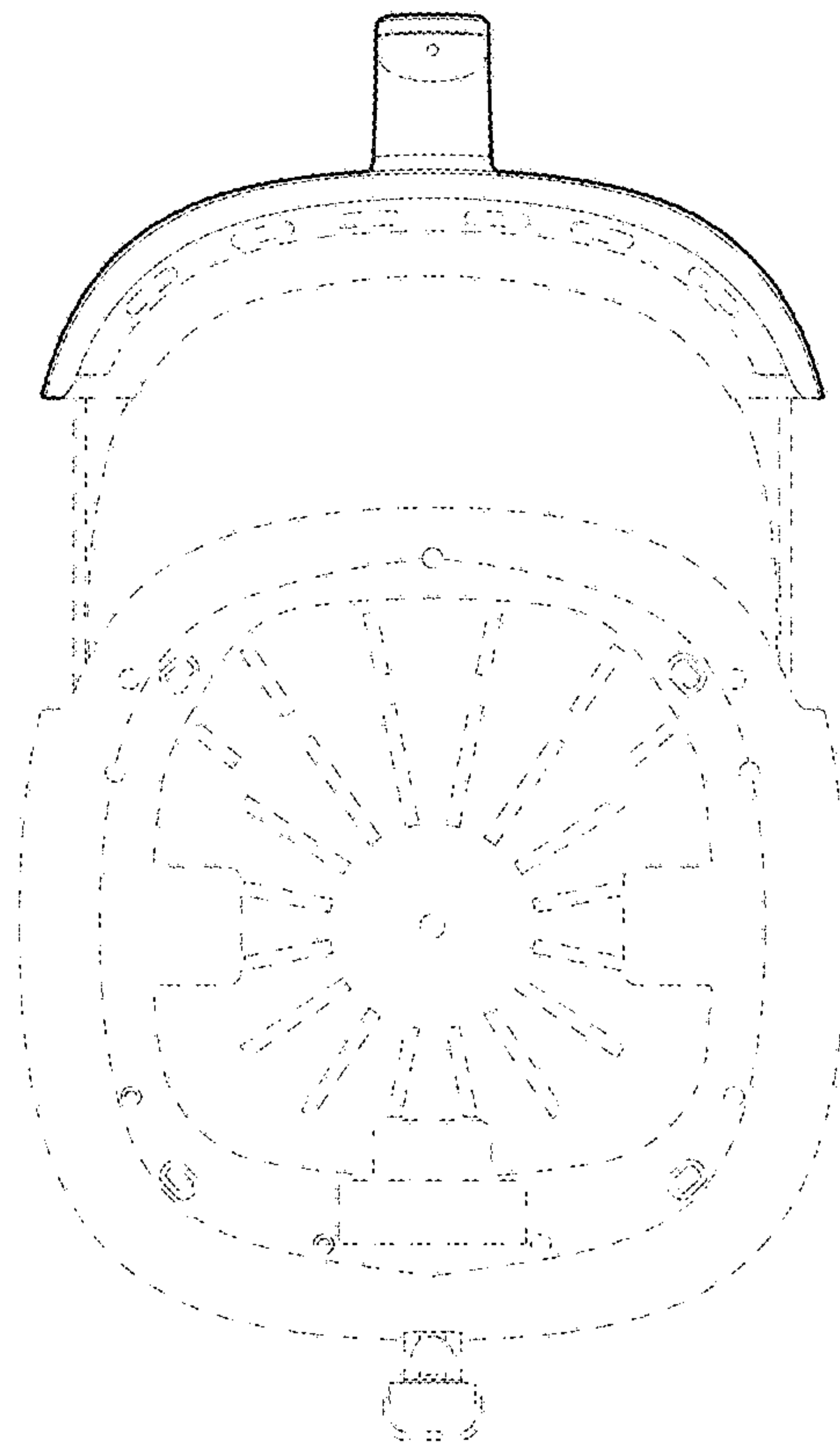


1.4

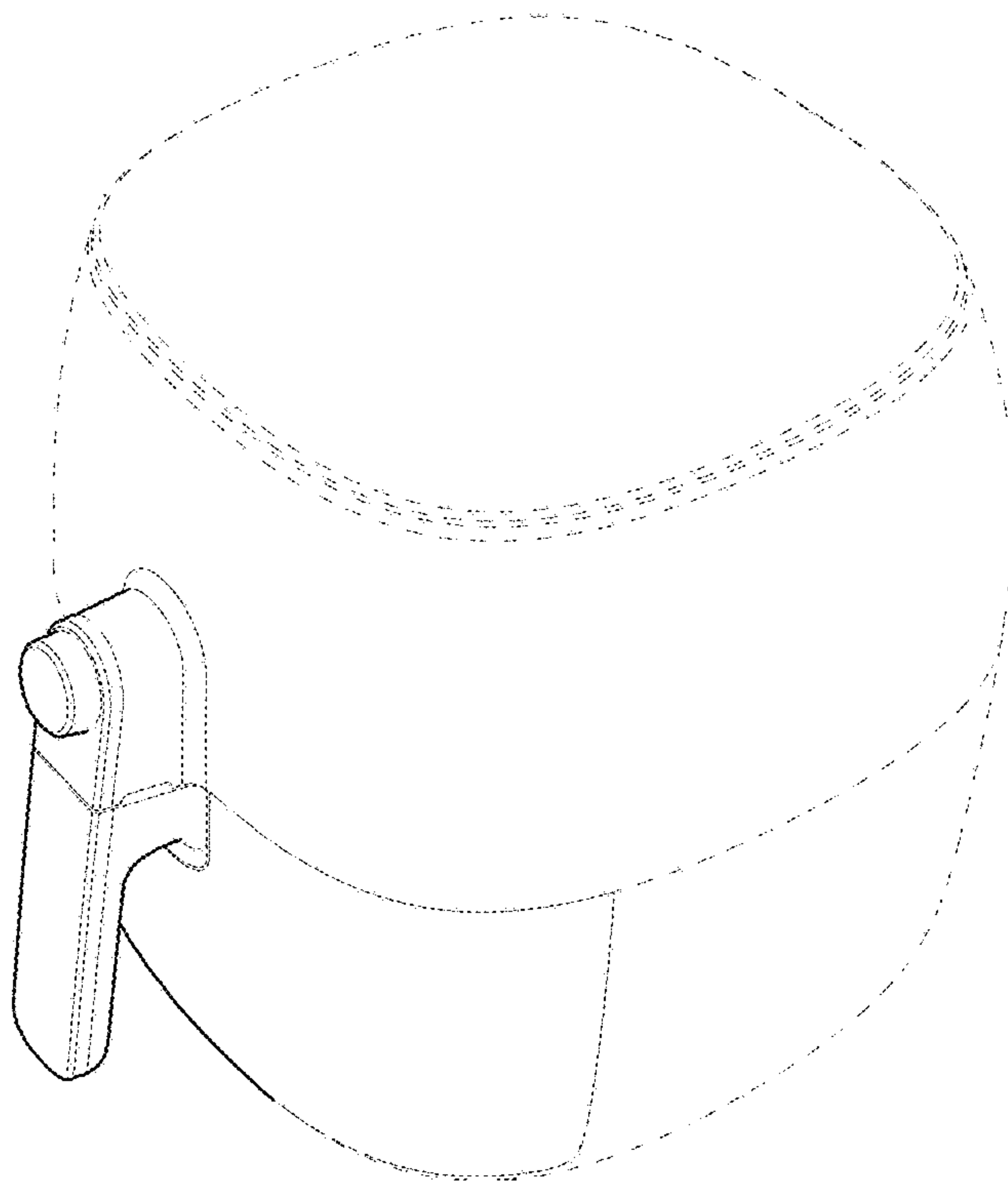


1.5



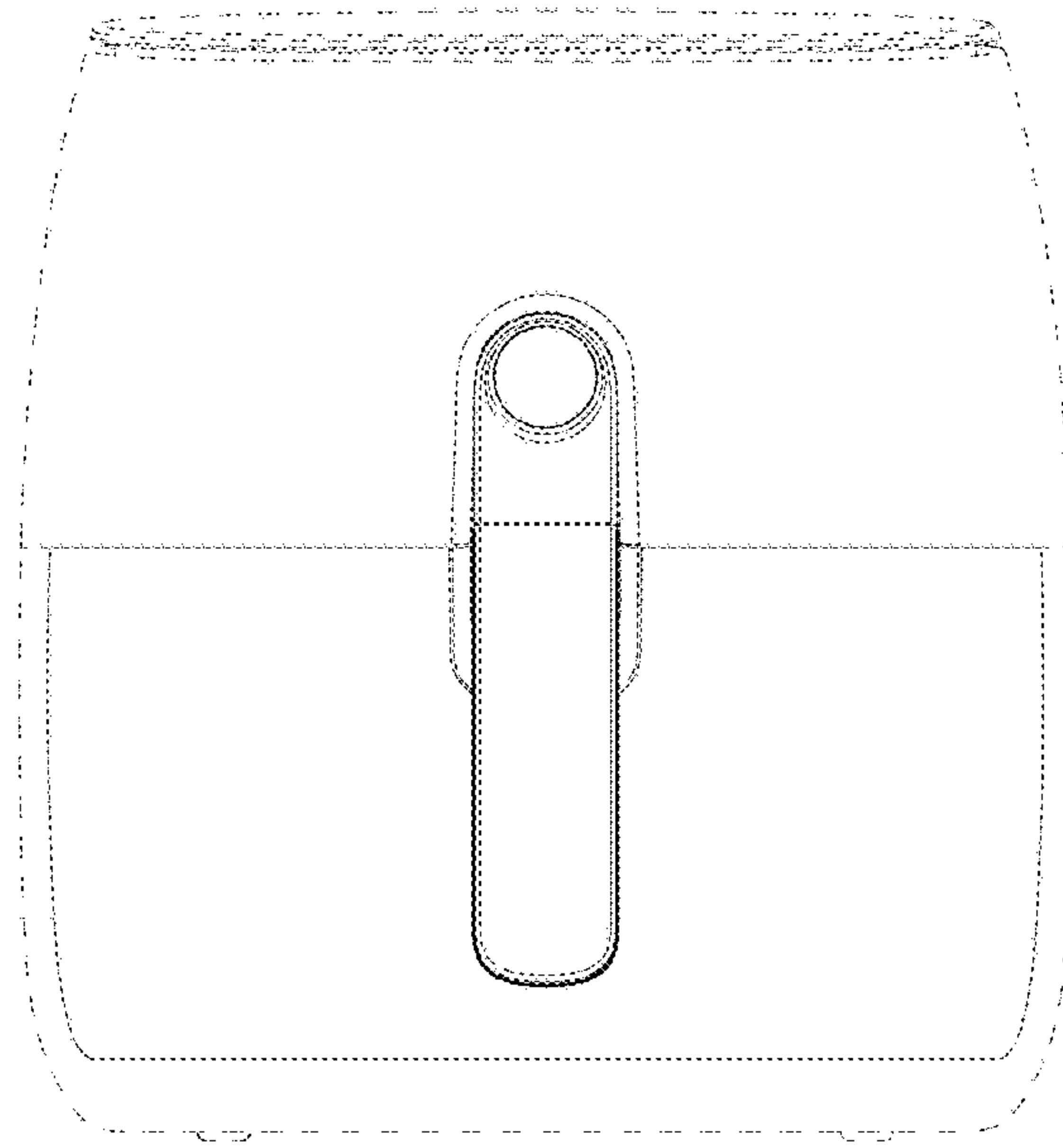


1.6

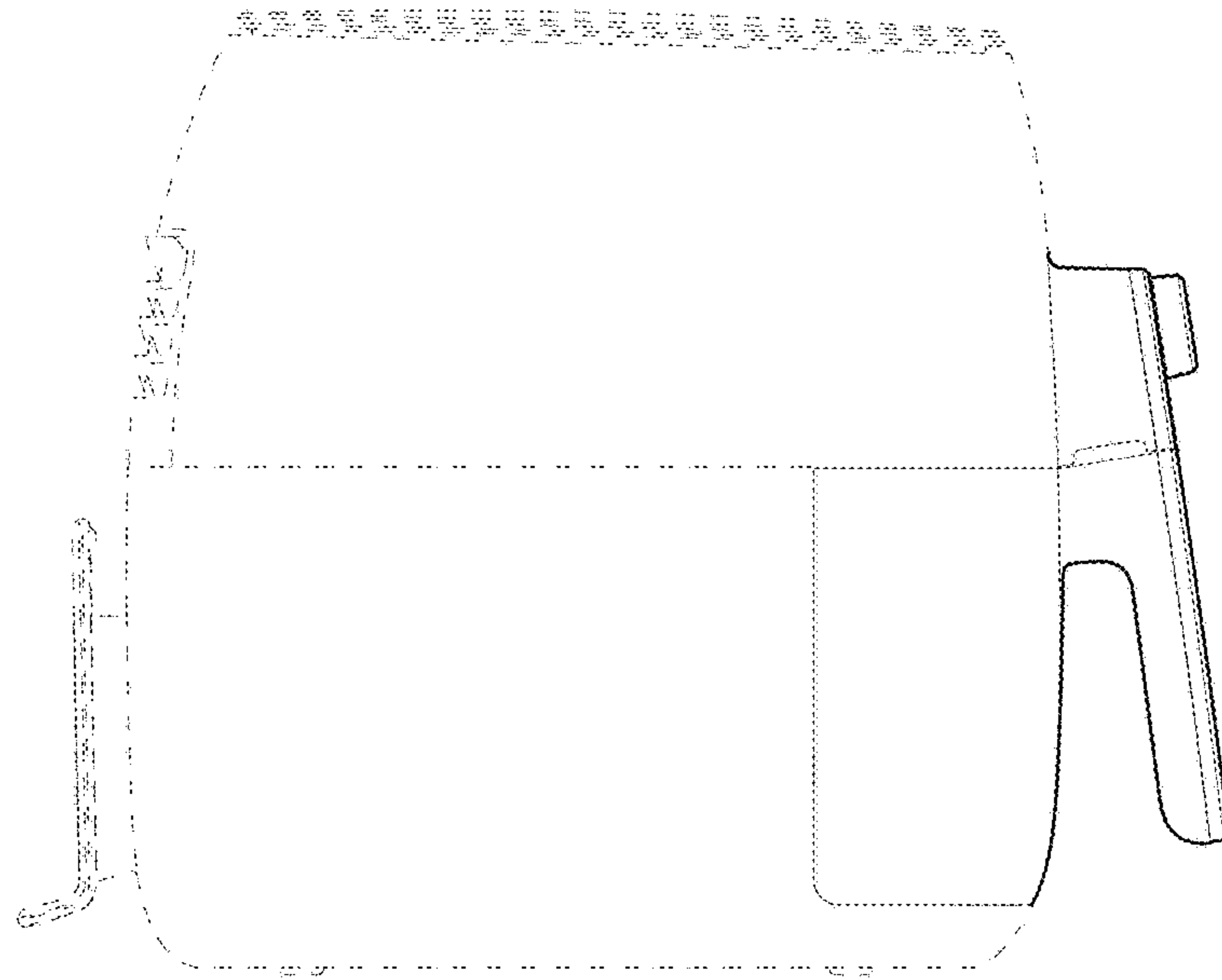


1.7

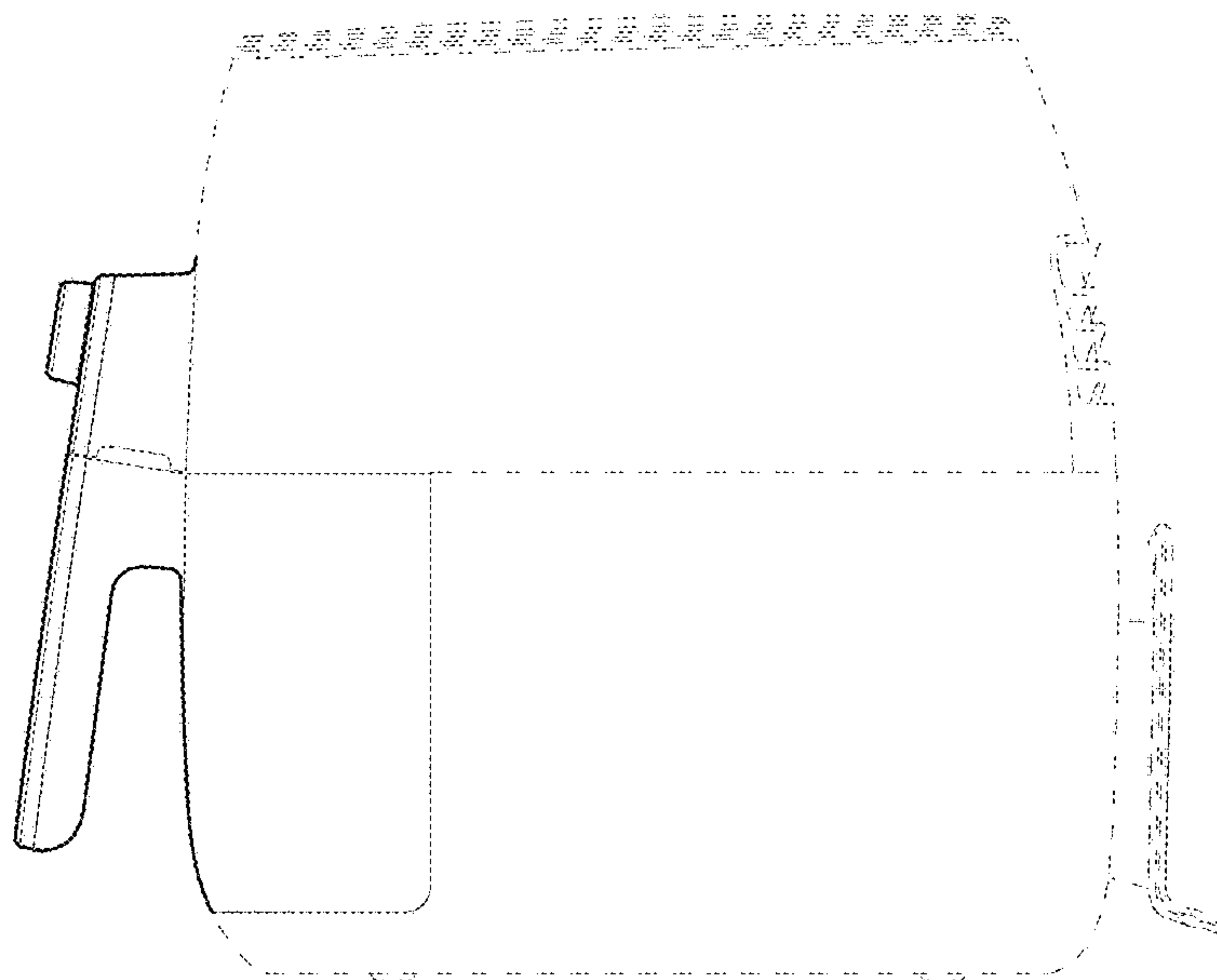




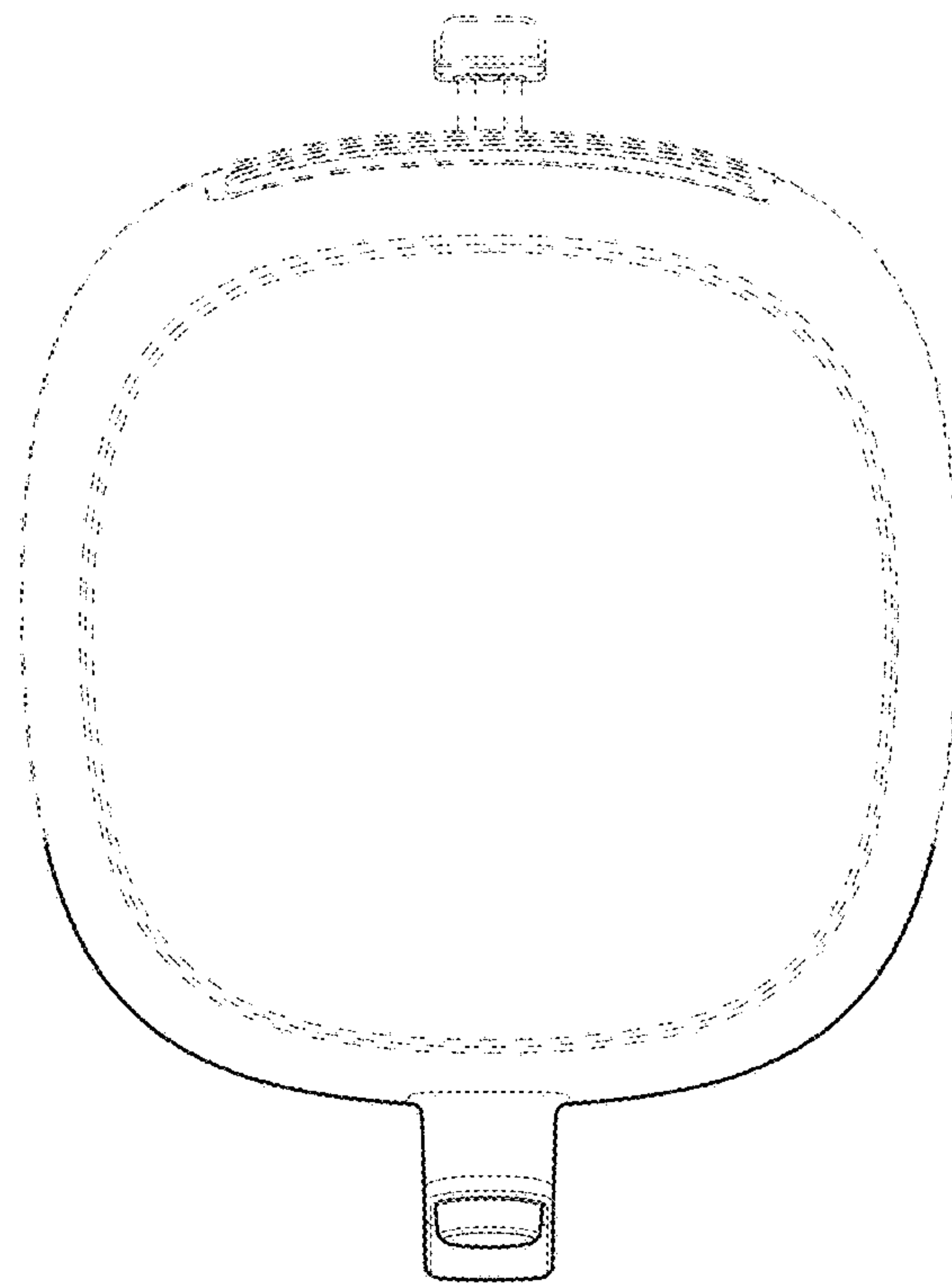
1.8



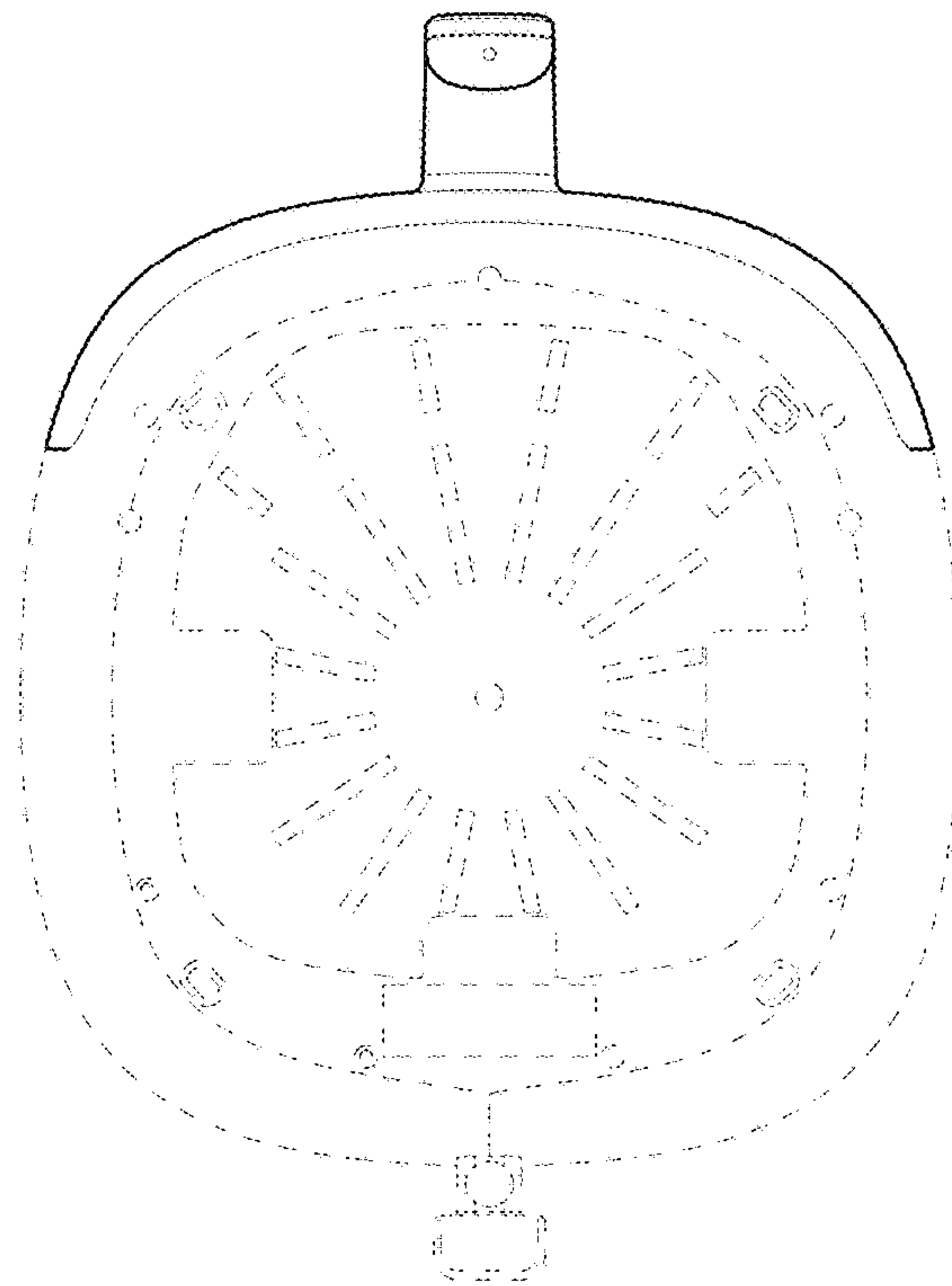
1.9



1.10



1.11



1.12