



US00D855395S

(12) **United States Design Patent**  
**Benoit et al.**

(10) **Patent No.:** **US D855,395 S**  
(45) **Date of Patent:** **\*\* Aug. 6, 2019**

(54) **APPLIANCE RECESSED WINDOW BEZEL**

(71) Applicant: **WHIRLPOOL CORPORATION**,  
Benton Harbor, MI (US)

(72) Inventors: **Kaitlyn M. Benoit**, St. Joseph, MI  
(US); **Michael A. Kahwaji**, St. Joseph,  
MI (US); **Brandon T. Mock**, St.  
Joseph, MI (US); **Jason W. Tippetts**,  
Stevensville, MI (US)

(73) Assignee: **Whirlpool Corporation**, Benton  
Harbor, MI (US)

(\*\*) Term: **15 Years**

(21) Appl. No.: **29/605,378**

(22) Filed: **May 25, 2017**

**Related U.S. Application Data**

(62) Division of application No. 29/483,020, filed on Feb.  
25, 2014, now Pat. No. Des. 788,523.

(51) **LOC (12) Cl.** ..... **07-02**

(52) **U.S. Cl.**  
USPC ..... **D7/405**

(58) **Field of Classification Search**  
USPC ..... D7/339-341, 346, 354-361, 388, 402,  
D7/408-409; D23/346-347, 397  
(Continued)

(56) **References Cited**

**U.S. PATENT DOCUMENTS**

3,070,085 A 12/1960 Mills  
3,177,334 A 4/1965 Kinkle  
(Continued)

*Primary Examiner* — Zenia I Bennett

(74) *Attorney, Agent, or Firm* — Price Heneveld LLP

(57) **CLAIM**

We claim the ornamental design for an appliance recessed window bezel, as shown and described.

**DESCRIPTION**

FIG. 1 is a front perspective view of an appliance recessed window bezel of the present disclosure;

FIG. 2 is a front elevational view of the appliance recessed window bezel of FIG. 1;

FIG. 3 is a front perspective view of another embodiment of an appliance recessed window bezel of the present disclosure;

FIG. 4 is a front elevational view of the appliance recessed window bezel of FIG. 3;

FIG. 5 is a front perspective view of another embodiment of an appliance recessed window bezel of the present disclosure;

FIG. 6 is a front elevational view of the appliance recessed window bezel of FIG. 5;

FIG. 7 is a front perspective view of another embodiment of an appliance recessed window bezel of the present disclosure;

FIG. 8 is a front elevational view of the appliance recessed window bezel of FIG. 7;

FIG. 9 is a front perspective view of another embodiment of an appliance recessed window bezel of the present disclosure;

FIG. 10 is a front elevational view of the appliance recessed window bezel of FIG. 9;

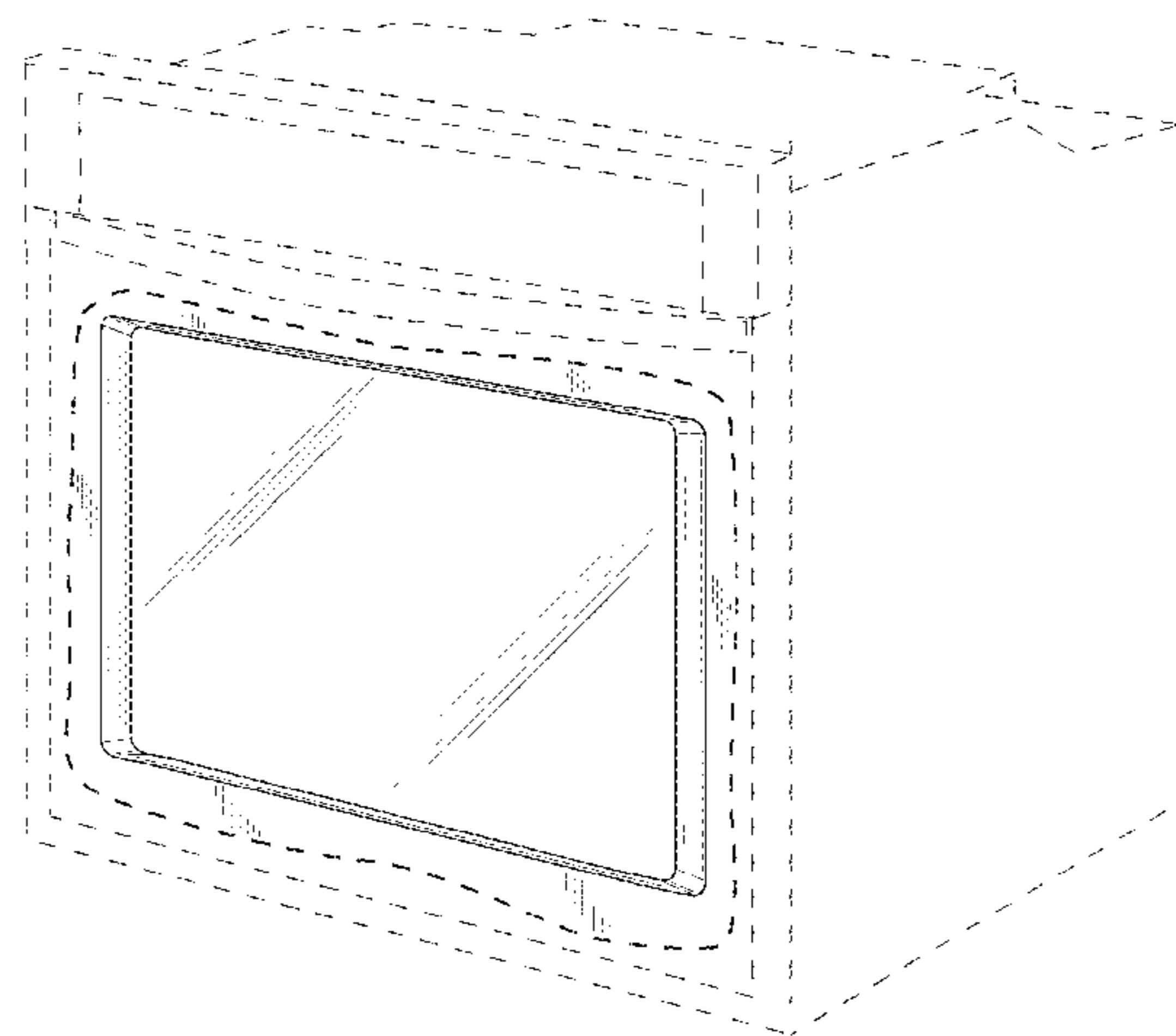
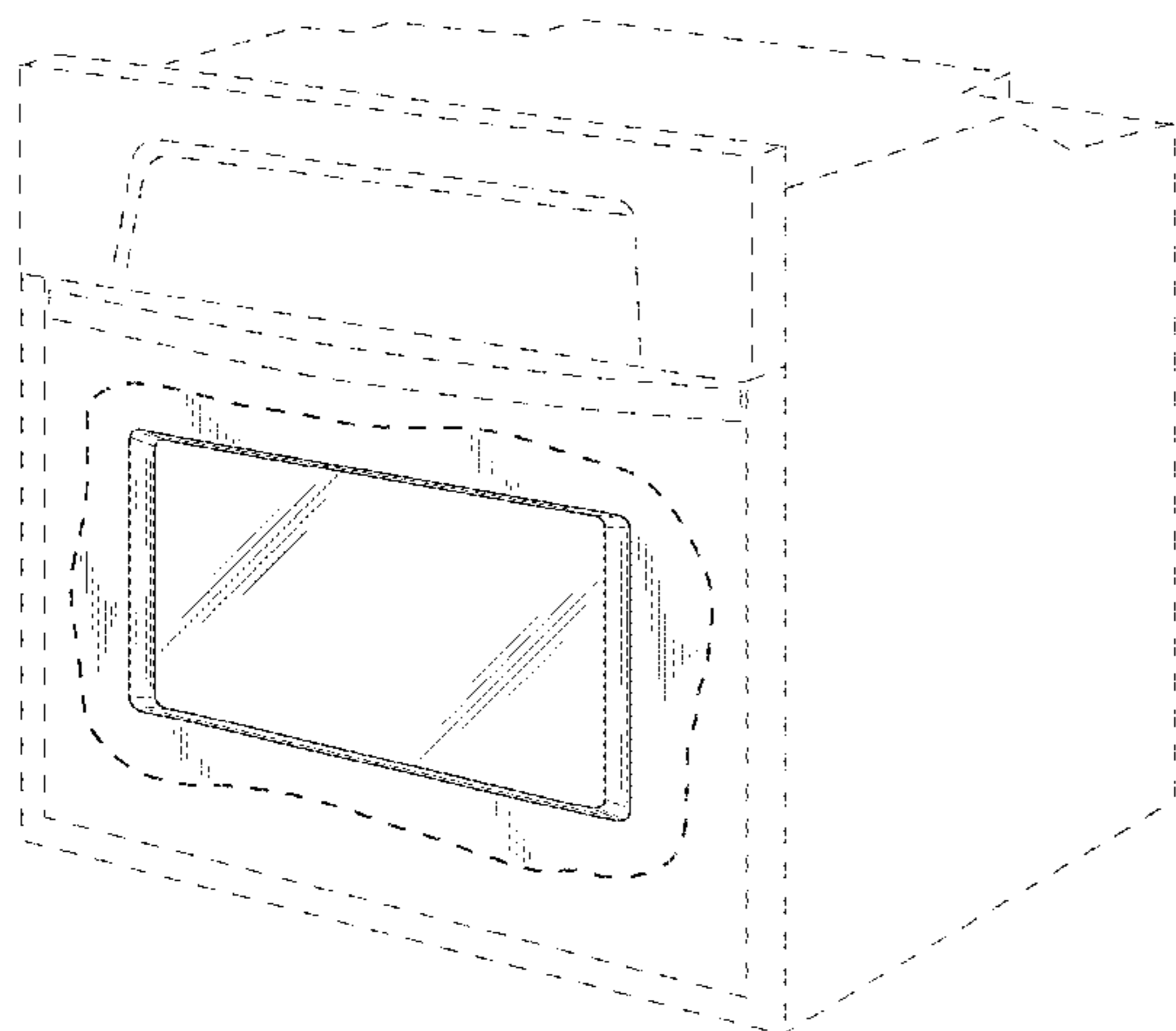
FIG. 11 is a front perspective view of another embodiment of an appliance recessed window bezel of the present disclosure;

FIG. 12 is a front elevational view of the appliance recessed window bezel of FIG. 11;

FIG. 13 is a front perspective view of another embodiment of an appliance recessed window bezel of the present disclosure; and,

FIG. 14 is a front elevational view of the appliance recessed window bezel of FIG. 13.

**1 Claim, 14 Drawing Sheets**



(58) **Field of Classification Search**

CPC .... F24C 1/10; F24C 3/00; F24C 15/00; F24C  
15/04; F24C 15/001; H05B 6/76; H05B  
6/763

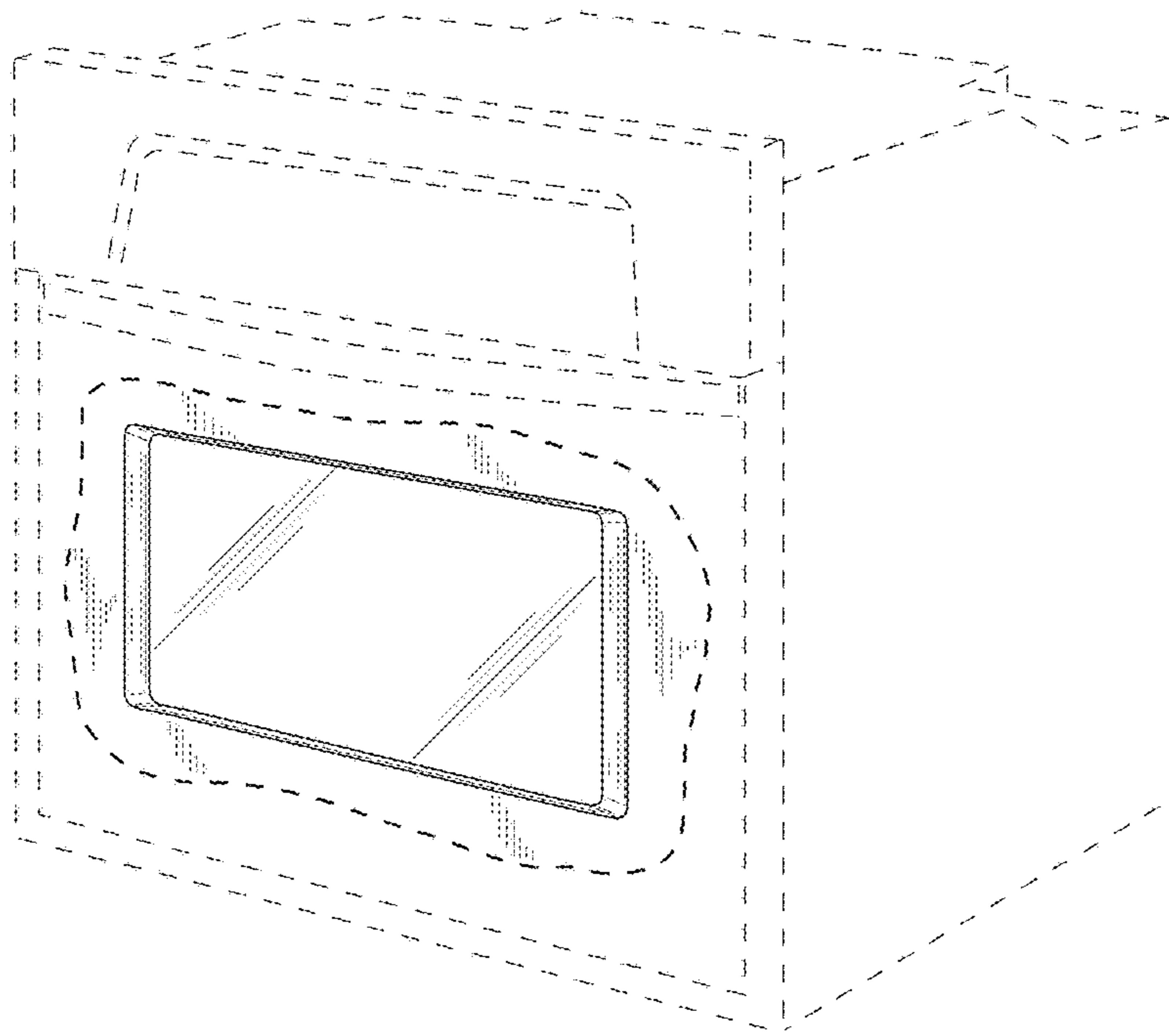
See application file for complete search history.

(56) **References Cited**

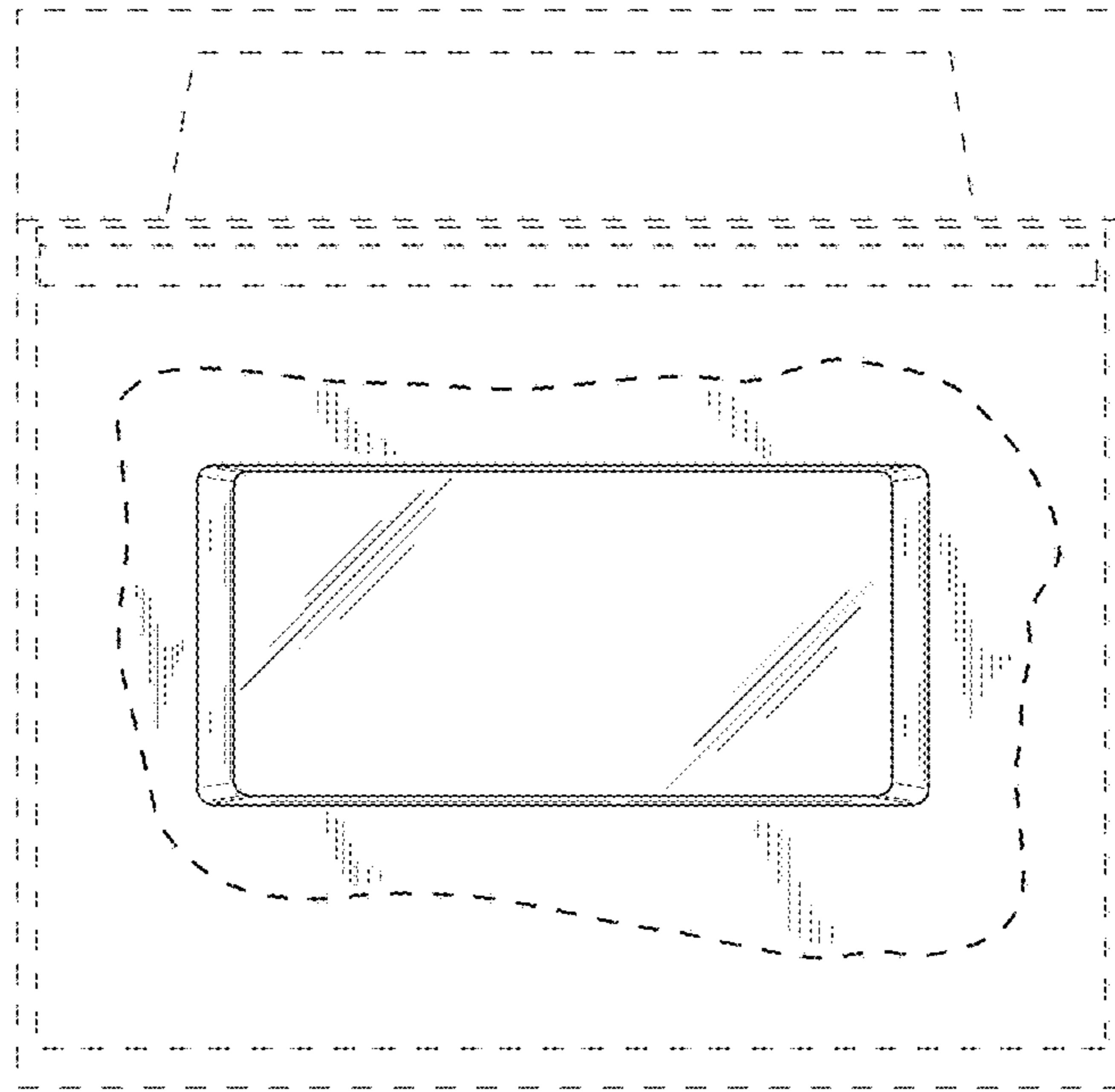
U.S. PATENT DOCUMENTS

3,991,738	A *	11/1976	Krebs .....	F24C 15/04 126/200
4,033,321	A	7/1977	Krebs	
4,041,930	A	8/1977	Katona	
4,049,939	A *	9/1977	Katona .....	H05B 6/76 219/740
4,084,571	A *	4/1978	McFarland .....	F24C 15/04 126/198
4,102,322	A *	7/1978	Doner .....	F24C 15/04 126/198
D249,009	S	8/1978	Grove et al.	
4,390,767	A *	6/1983	Bucksbaum .....	H05B 6/763 126/200
5,571,276	A	11/1996	Kobos et al.	
6,420,690	B1	7/2002	Kim	
D513,065	S	12/2005	Luong	
8,138,459	B2 *	3/2012	Beausse .....	F24C 15/008 126/200
8,393,319	B2	3/2013	Hoffmeier	
2007/0023029	A1	2/2007	Kelley et al.	
2007/0029901	A1	2/2007	Becke	

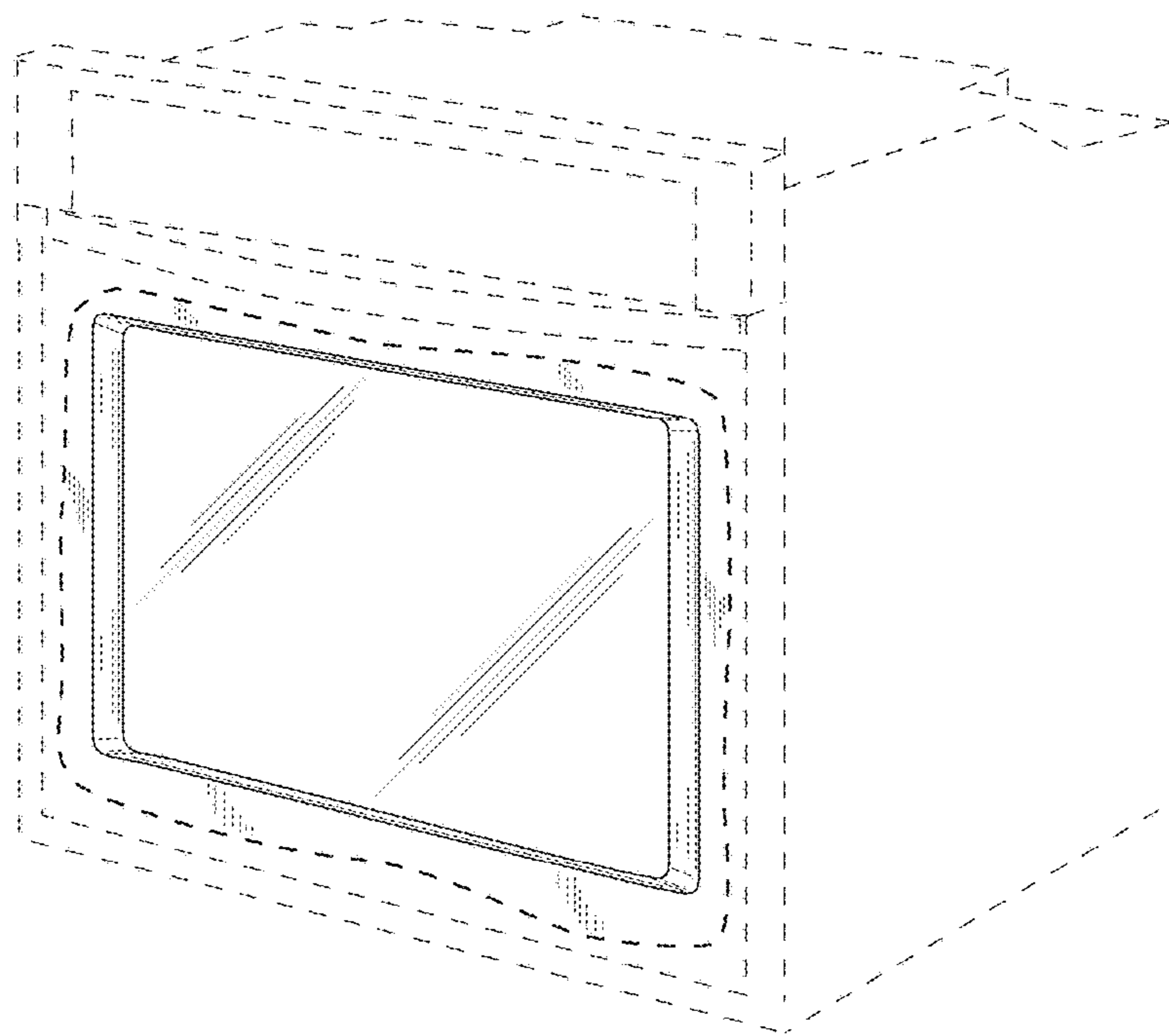
\* cited by examiner



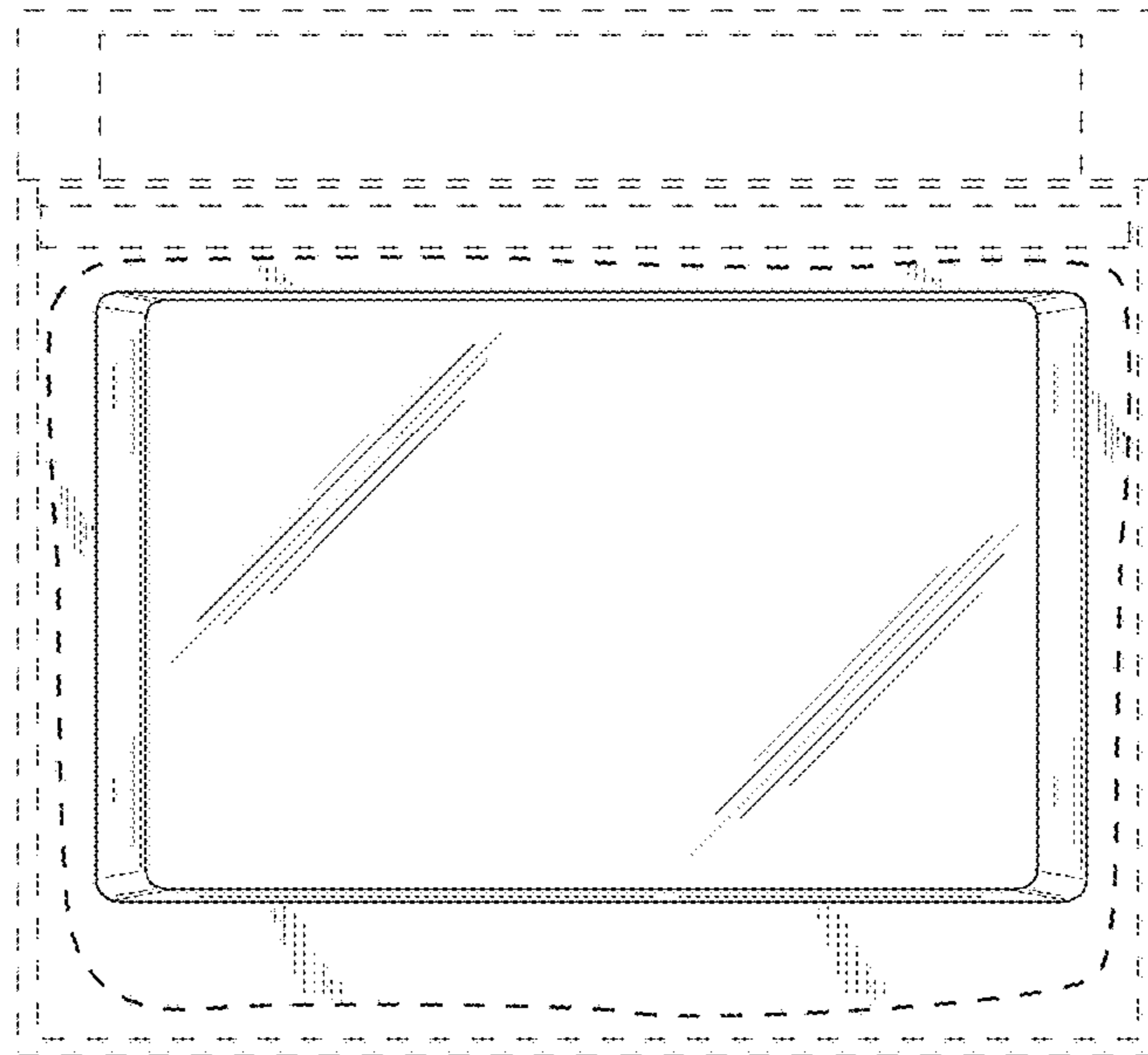
**FIG. 1**



**FIG. 2**

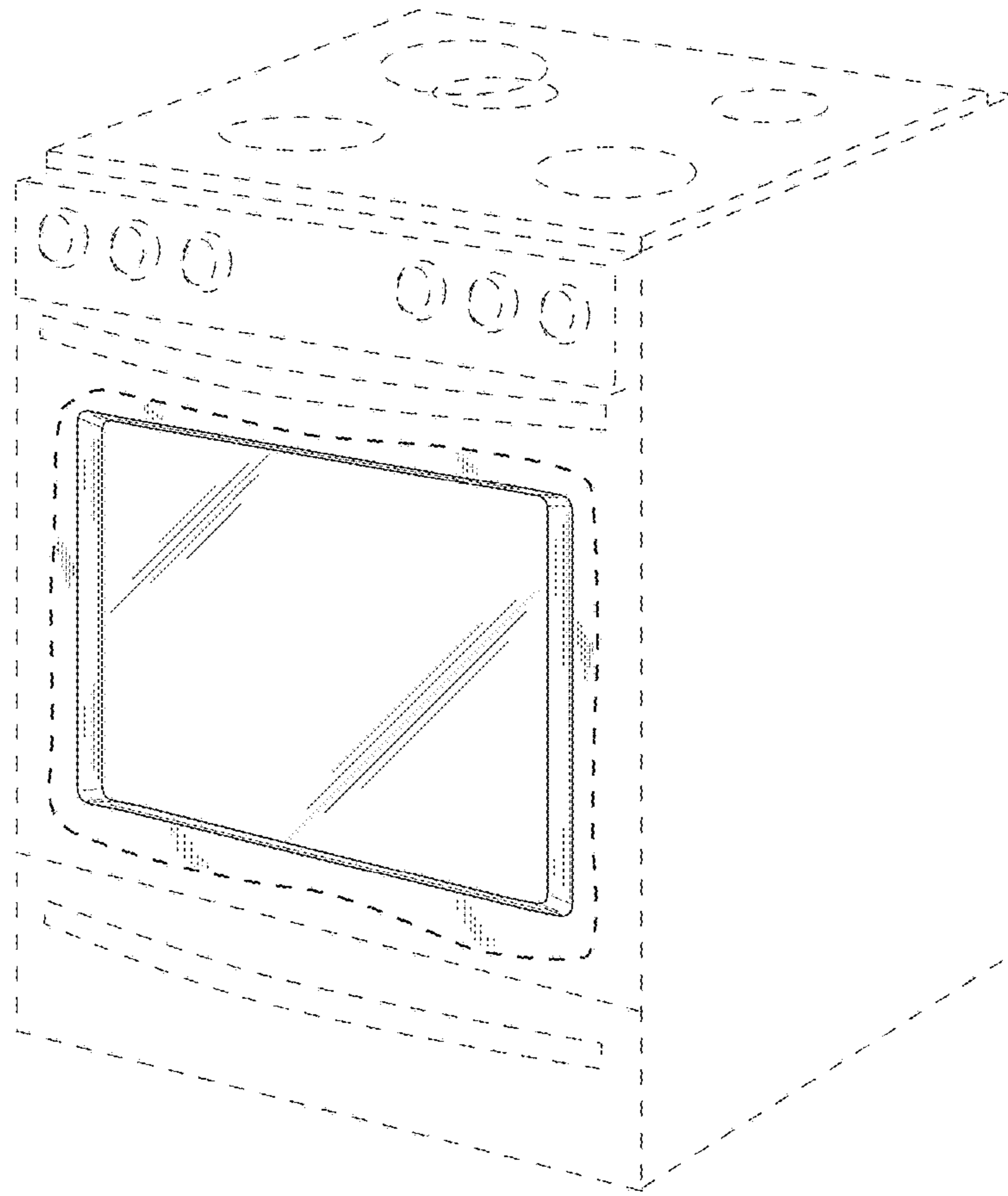


**FIG. 3**



**FIG. 4**





**FIG. 5**

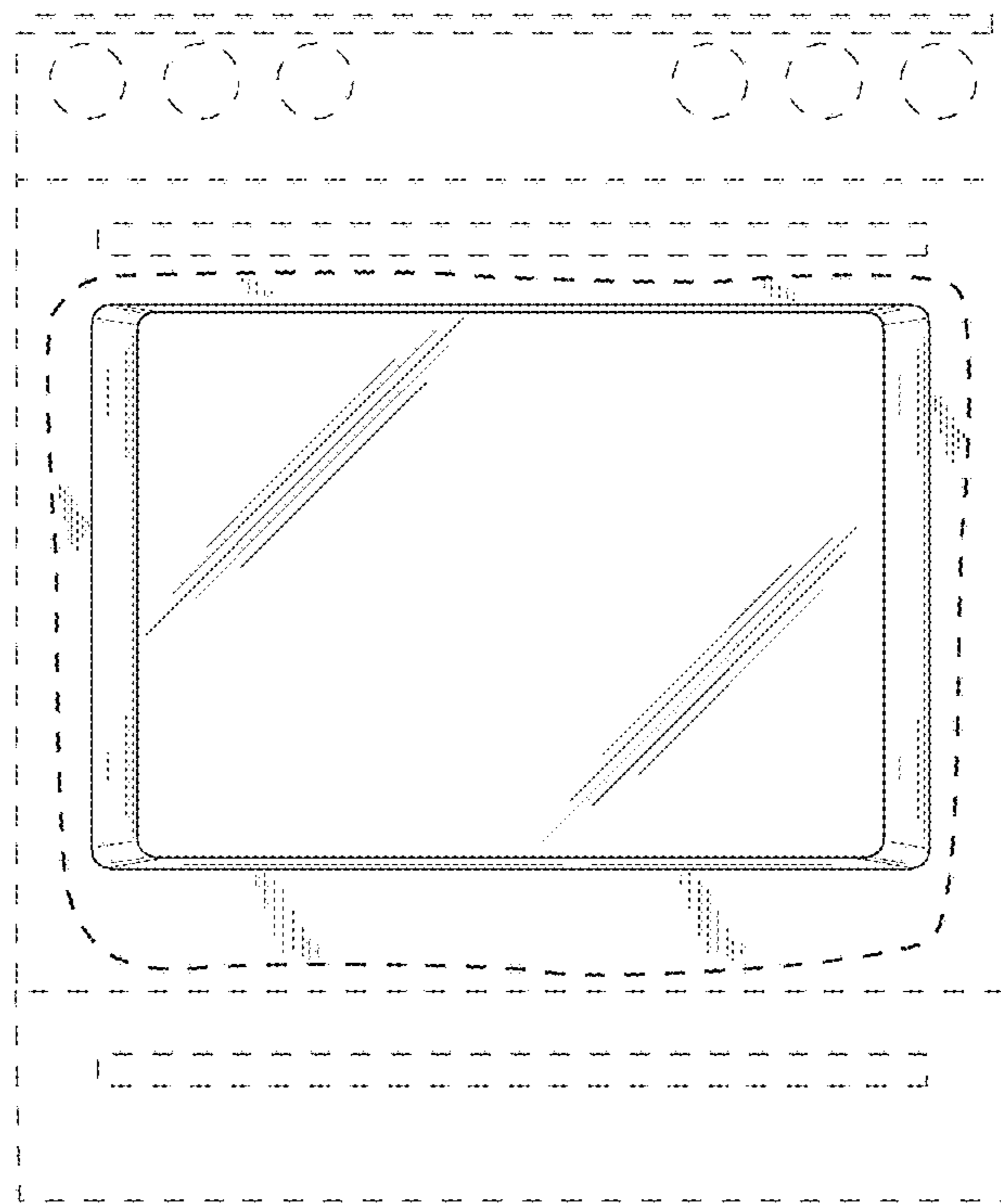
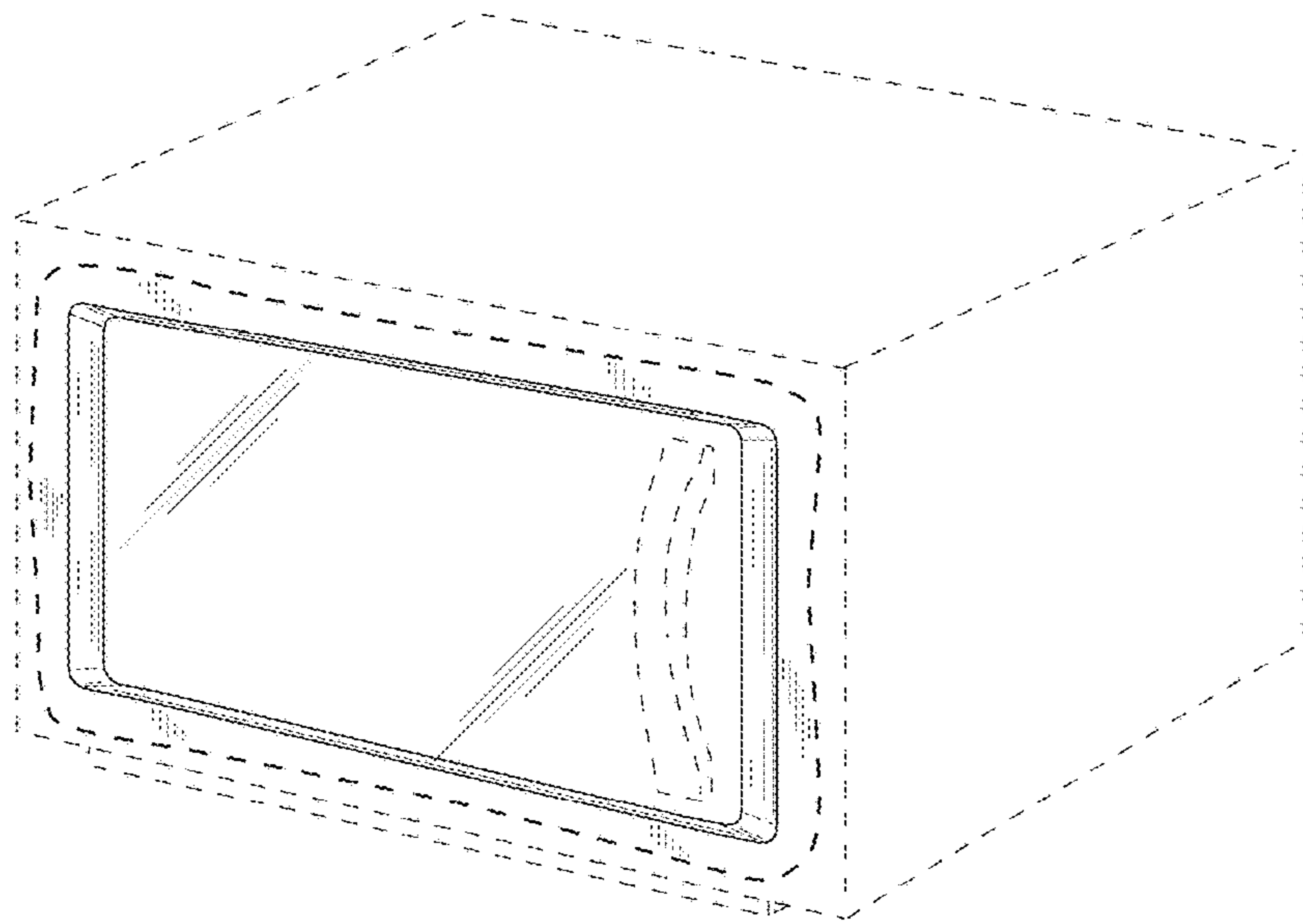
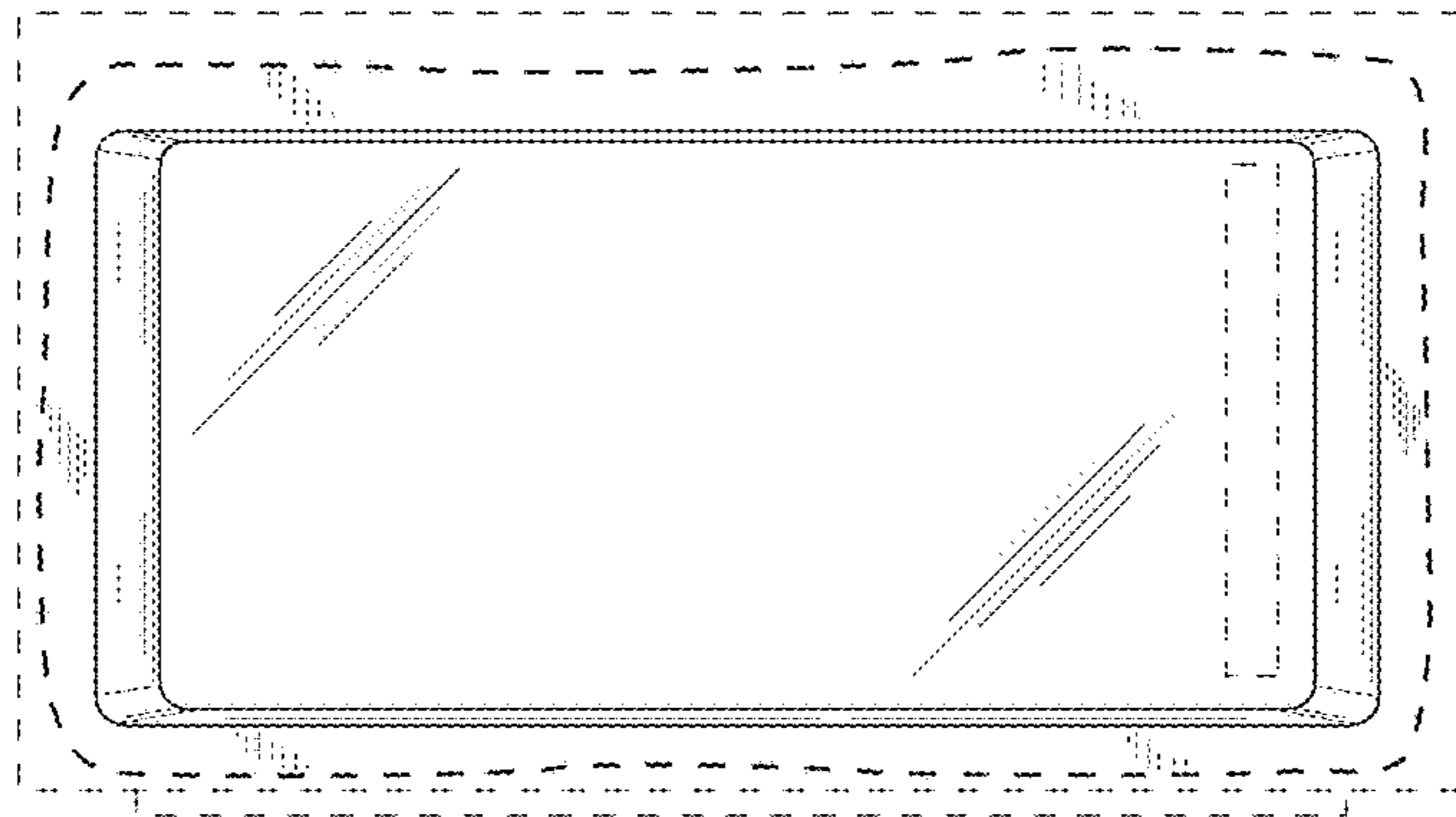


FIG. 6

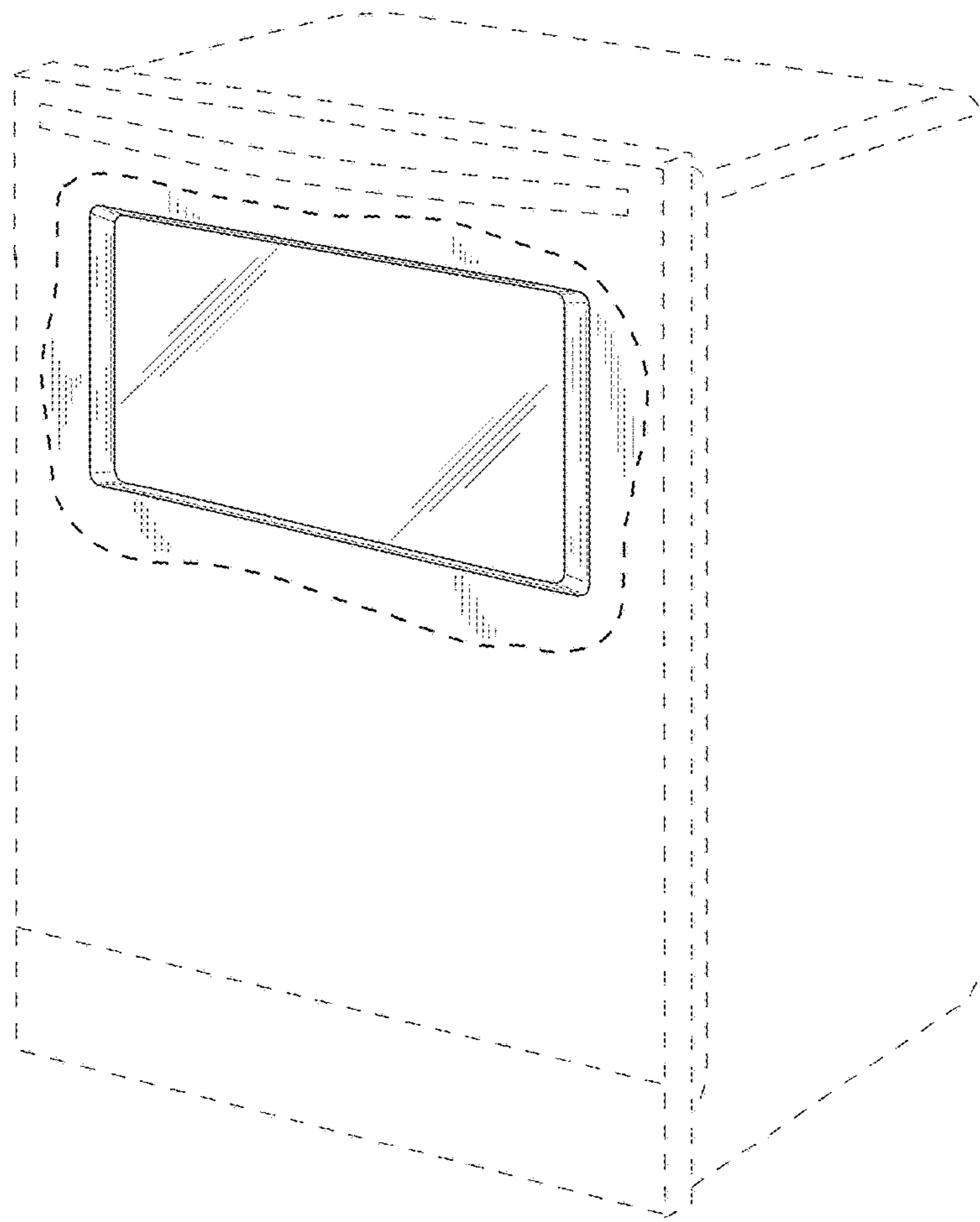




**FIG. 7**



**FIG. 8**



**FIG. 9**

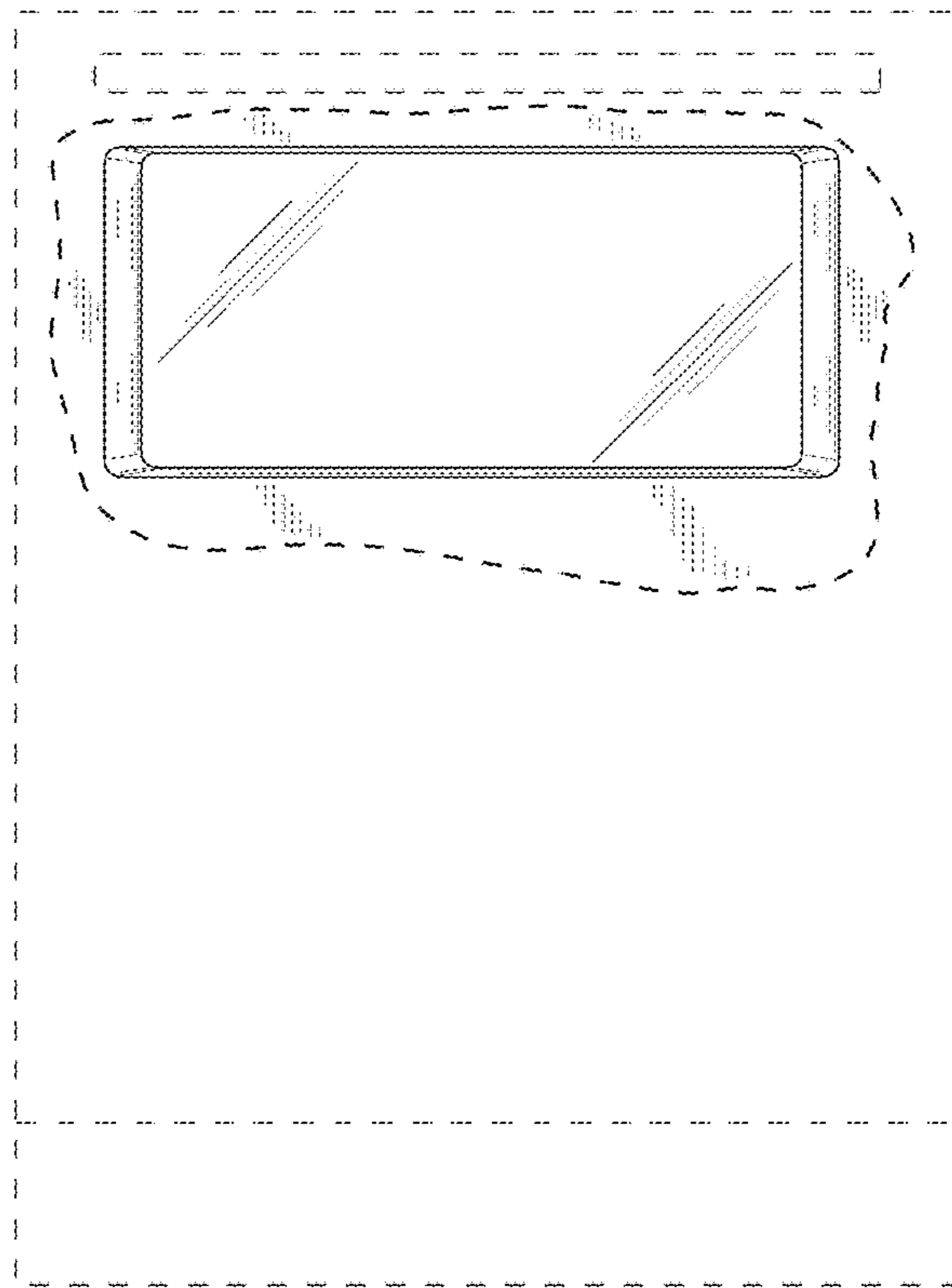
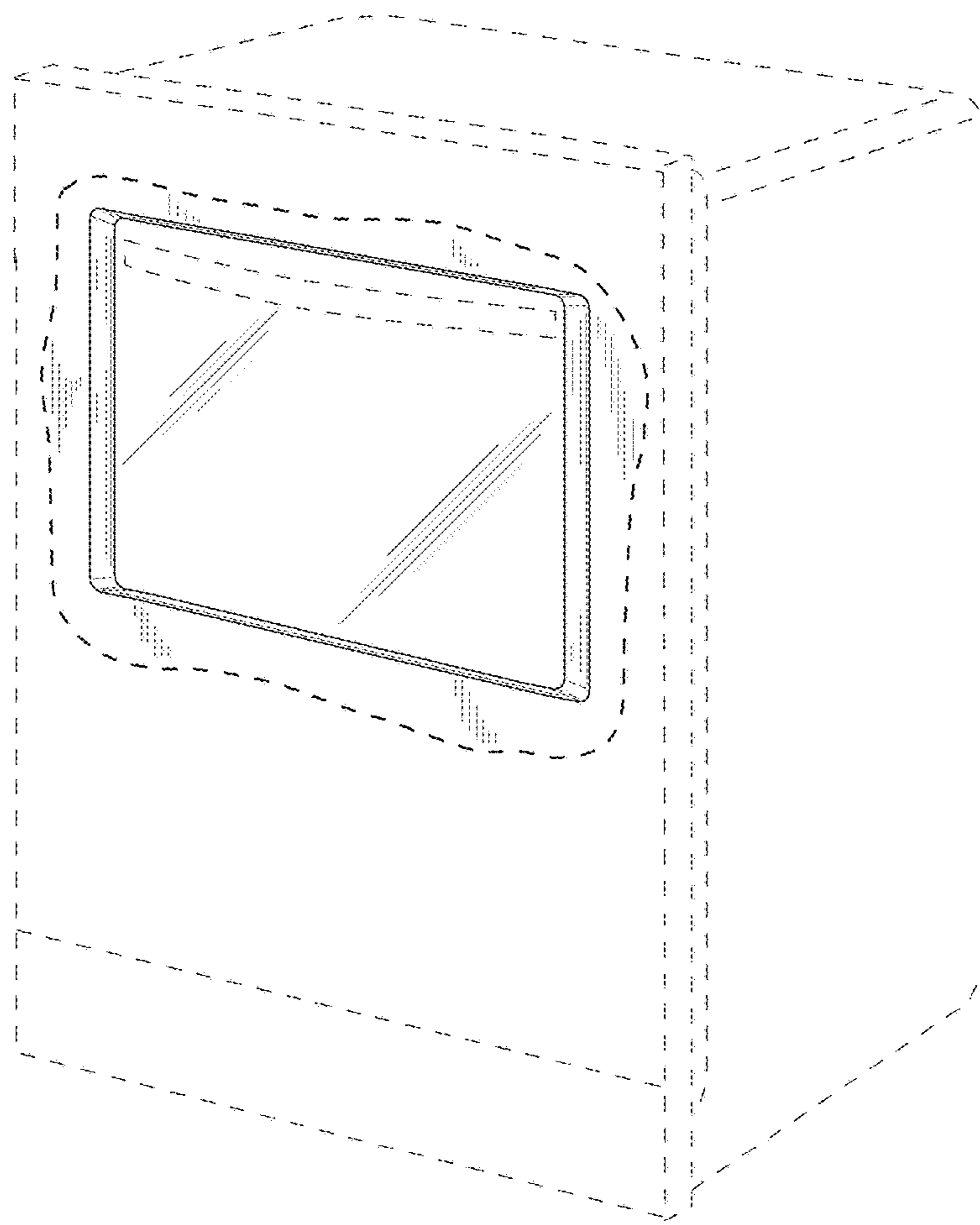


FIG. 10



**FIG. 11**

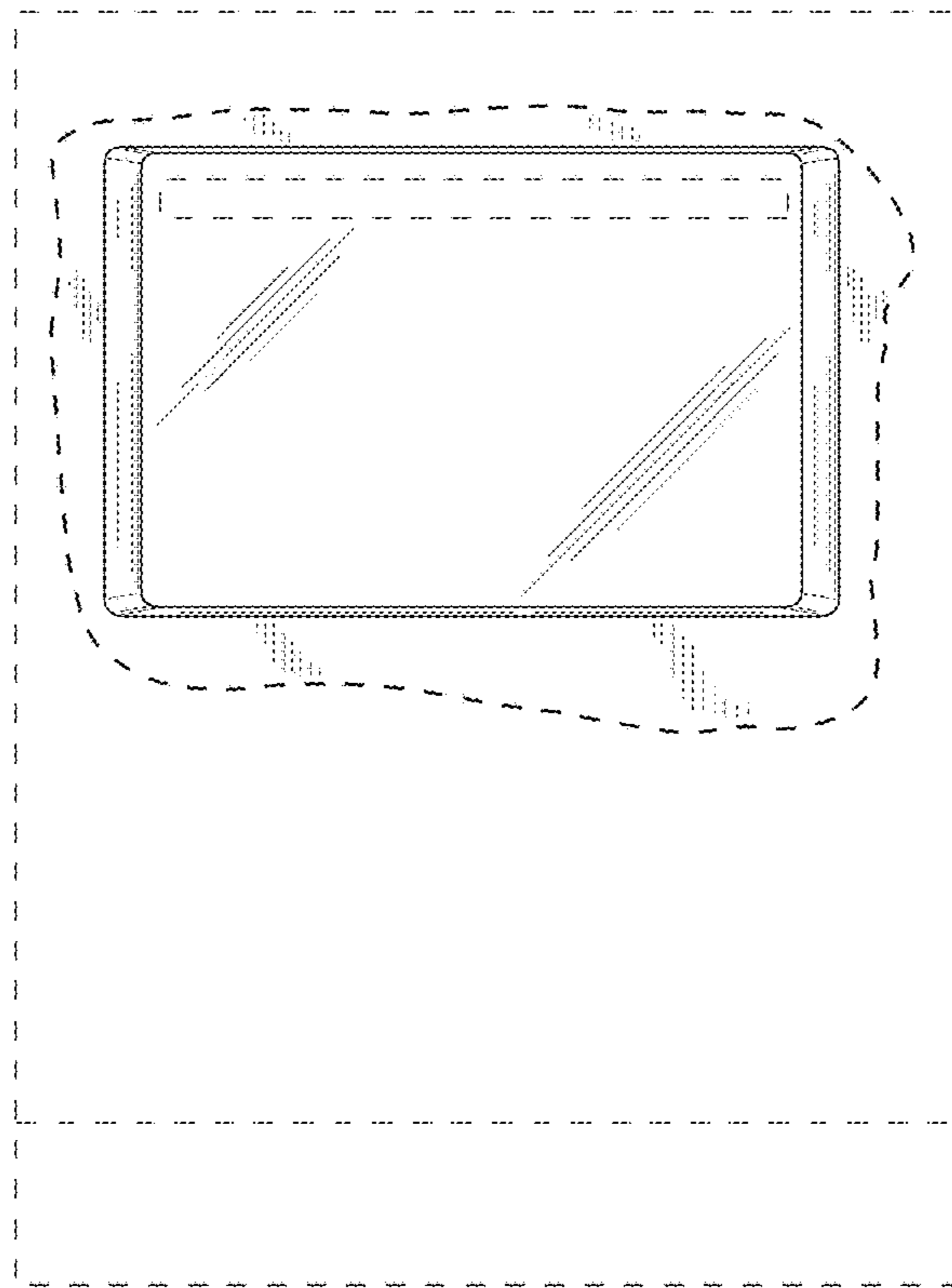
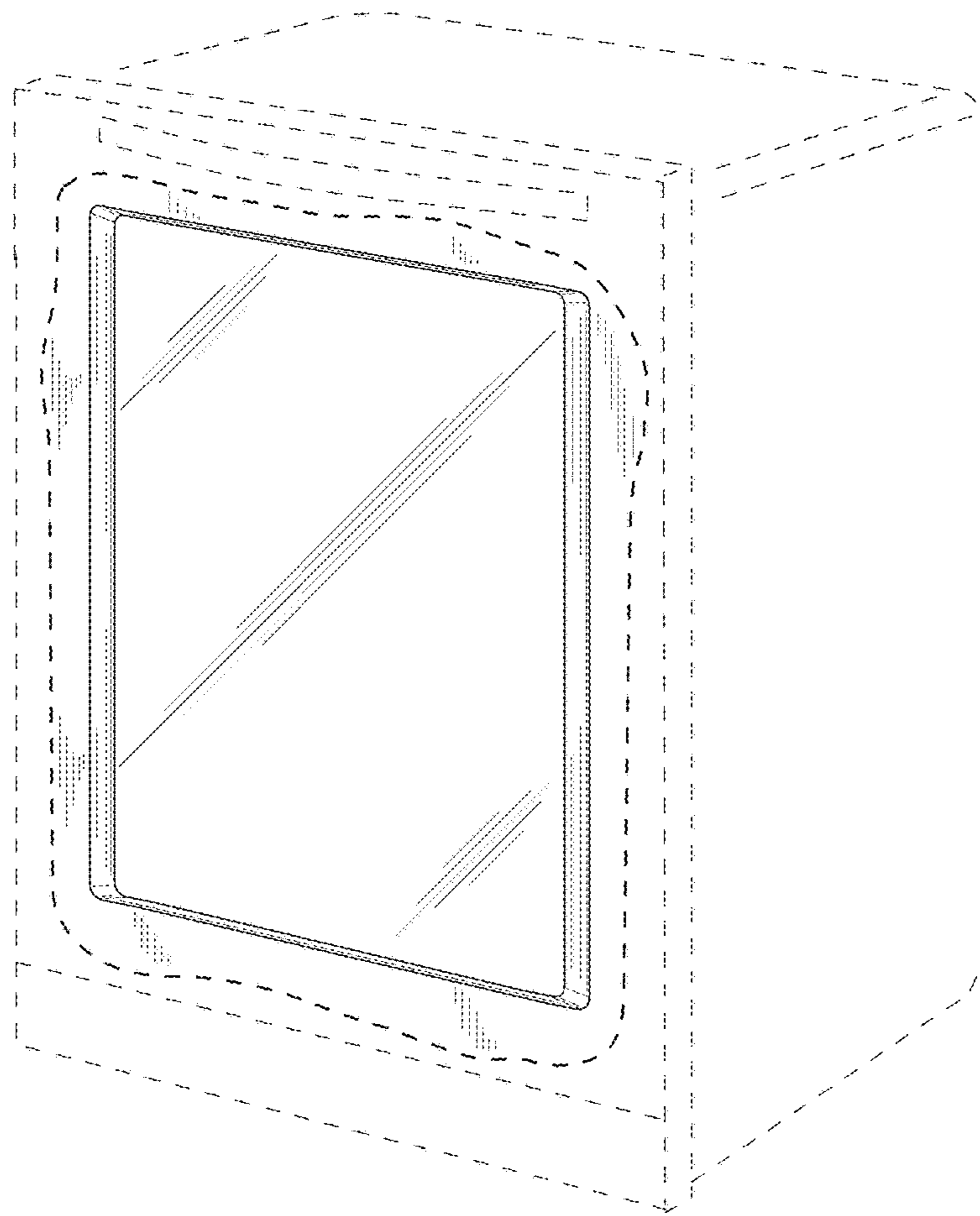


FIG. 12



**FIG. 13**



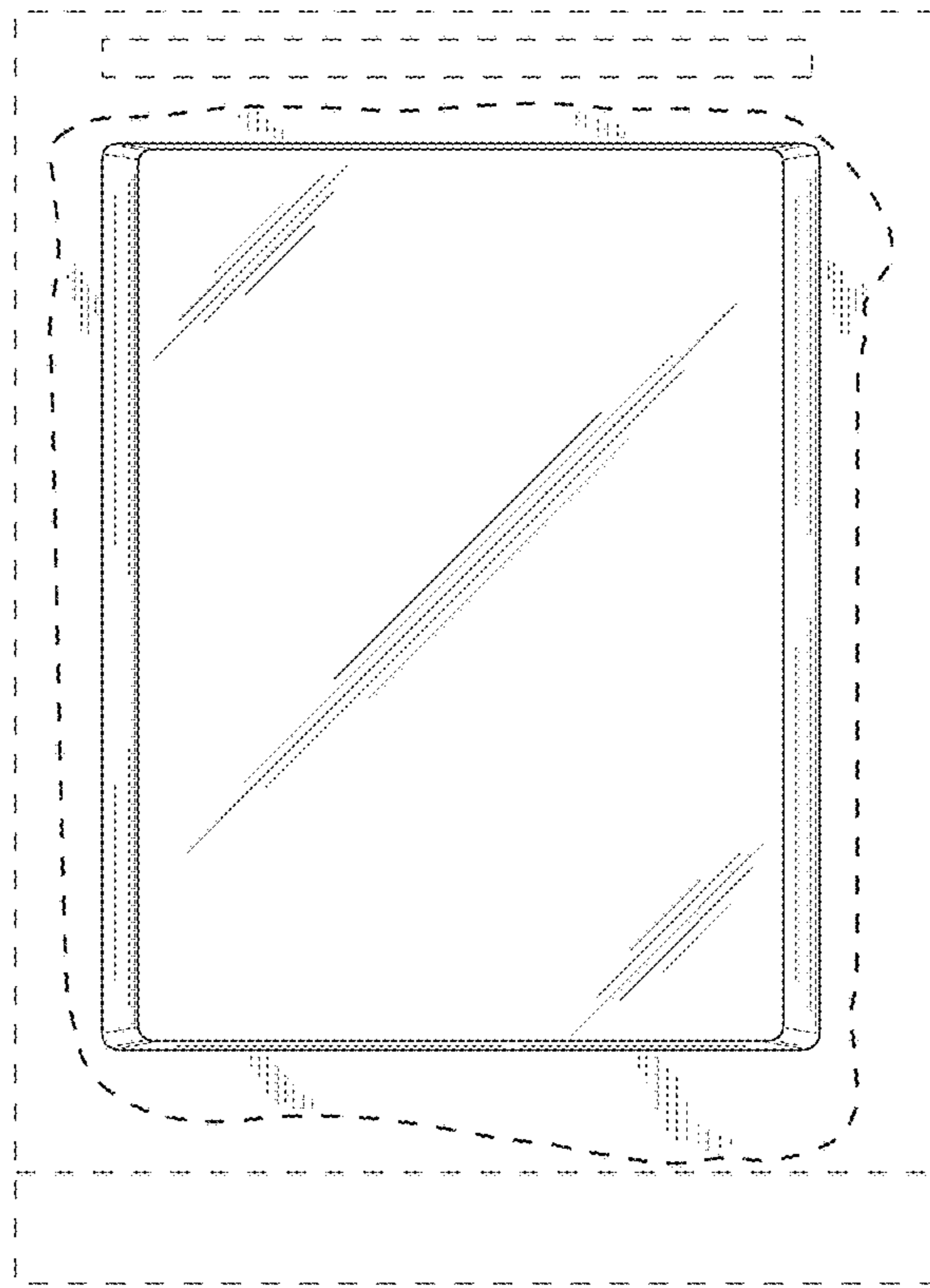


FIG. 14