



US00D855394S

(12) **United States Design Patent** (10) **Patent No.:** **US D855,394 S**
Funnell, II et al. (45) **Date of Patent:** **** *Aug. 6, 2019**

(54) **OVEN HANDLE**

(71) Applicant: **BSH Home Appliances Corporation**, Irvine, CA (US)

(72) Inventors: **Richard W. Funnell, II**, Huntington Beach, CA (US); **Andrew Roberson**, Long Beach, CA (US); **Graham Sadtler**, Huntington Beach, CA (US)

(73) Assignee: **BSH Home Appliances Corporation**, Irvine, CA (US)

(*) Notice: This patent is subject to a terminal disclaimer.

(**) Term: **15 Years**

(21) Appl. No.: **29/594,551**

(22) Filed: **Feb. 21, 2017**

Related U.S. Application Data

(62) Division of application No. 29/544,360, filed on Nov. 3, 2015, now Pat. No. Des. 784,751, which is a division of application No. 29/456,409, filed on May 31, 2013, now Pat. No. Des. 747,912.

(51) **LOC (12) Cl.** **07-02**

(52) **U.S. Cl.**
USPC **D7/402**

(58) **Field of Classification Search**
USPC D7/387, 402-409, 393, 394, 323, 331, D7/332-337, 339, 340, 346-349, 351, D7/354, 358; D12/500, 501, 502, 204; D8/319, 316, 315; D15/89
CPC F24C 15/36; F24C 15/107; F24C 15/024; F24C 3/08; F24C 3/124; F24C 7/08; F24C 7/081; F24C 7/082; F24C 7/087; A47J 37/042; A47J 37/07; A47J 37/12; A47J 37/129; A47J 37/1295
See application file for complete search history.

(56) **References Cited**

U.S. PATENT DOCUMENTS

D530,561 S *	10/2006	Kim	D7/351
D550,502 S *	9/2007	Jeon	D7/350.1
D568,100 S *	5/2008	Jeon	D7/402
D570,646 S *	6/2008	Jeon	D7/402
D572,110 S *	7/2008	Busalt	D8/316
D580,698 S *	11/2008	Kim	D7/348
D612,677 S *	3/2010	Jeon	D15/89
D633,329 S *	3/2011	Baek	D7/351
D670,527 S *	11/2012	Kim	D7/340
D710,646 S *	8/2014	Borjesson	D7/349
D724,889 S *	3/2015	Borjesson	D7/349
D736,055 S *	8/2015	Funnell, II	D8/315
D741,104 S *	10/2015	Funnell, II	D7/348
D745,310 S *	12/2015	Funnell, II	D7/349

(Continued)

Primary Examiner — Sheryl Lane

Assistant Examiner — Nicole C Shiflet

(74) *Attorney, Agent, or Firm* — Michael E. Tschupp; Andre Pallapies; Brandon G. Braun

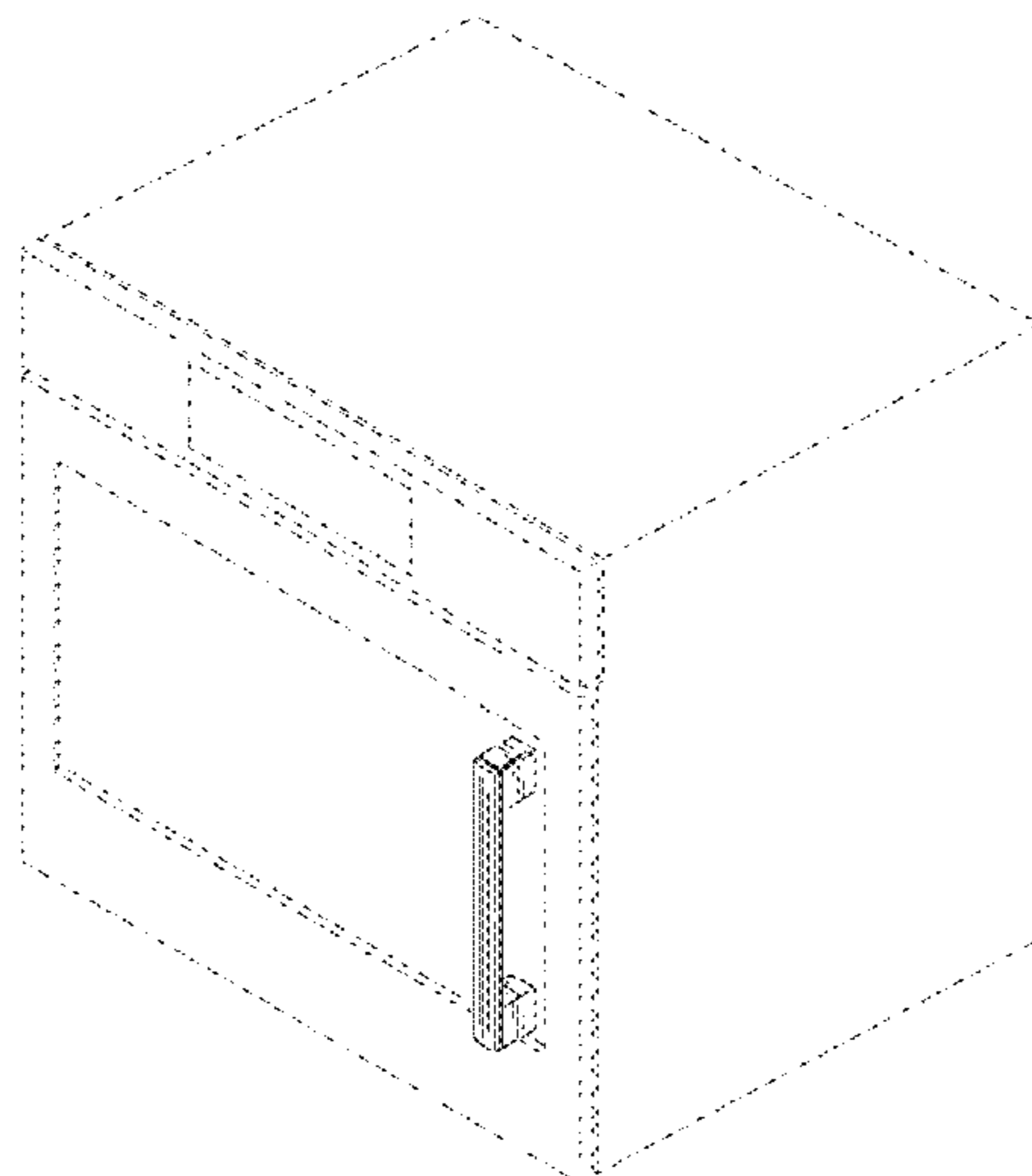
(57) **CLAIM**

The ornamental design for an oven handle, as shown and described.

DESCRIPTION

FIG. 1 is a front perspective view of an oven handle showing our new ornamental design;
FIG. 2 is a front perspective view thereof, on an enlarged scale and without surrounding environment;
FIG. 3 a front view thereof;
FIG. 4 is a rear view thereof;
FIG. 5 is a right side view thereof, with the left side view thereof being a mirror image thereof; and,
FIG. 6 is a top view thereof, with the bottom view being a mirror image thereof.
The broken lines represent environment and form no part of the claimed design.

1 Claim, 2 Drawing Sheets



(56)

References Cited

U.S. PATENT DOCUMENTS

D745,311 S *	12/2015	Funnell, II	D7/349
D747,912 S *	1/2016	Funnell, II	D7/348
D747,948 S *	1/2016	Funnell, II	D8/315
D748,424 S *	2/2016	Funnell, II	D7/348
D750,413 S *	3/2016	Funnell, II	D7/348
D750,414 S *	3/2016	Funnell, II	D7/348
D751,854 S *	3/2016	Funnell, II	D7/349
D762,415 S *	8/2016	Chung	D7/405
D784,751 S *	4/2017	Funnell, II	D7/348
D784,752 S *	4/2017	Funnell, II	D7/348
D785,399 S *	5/2017	Funnell, II	D7/349
D786,611 S *	5/2017	Funnell, II	D7/348

* cited by examiner

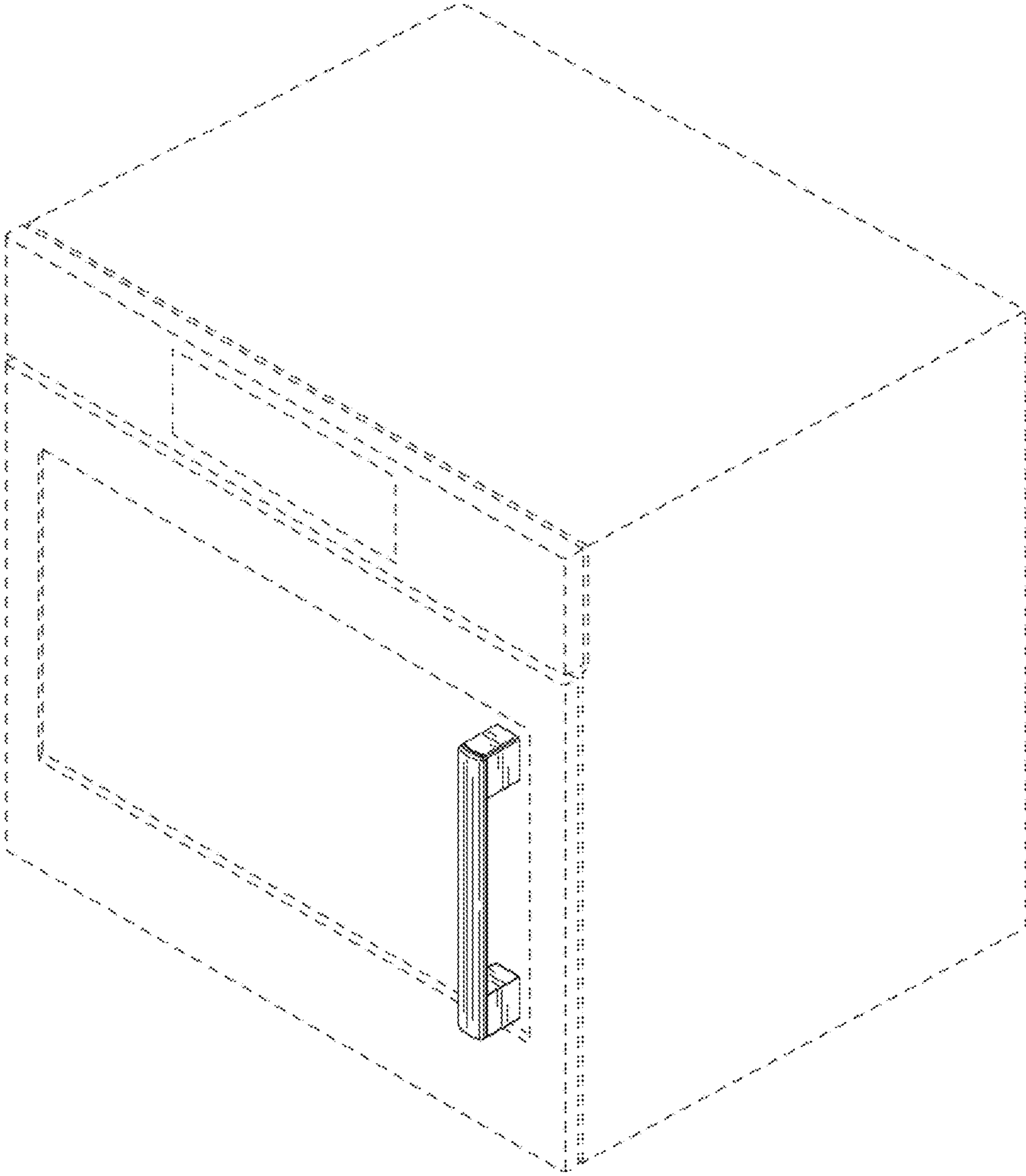


FIG. 1

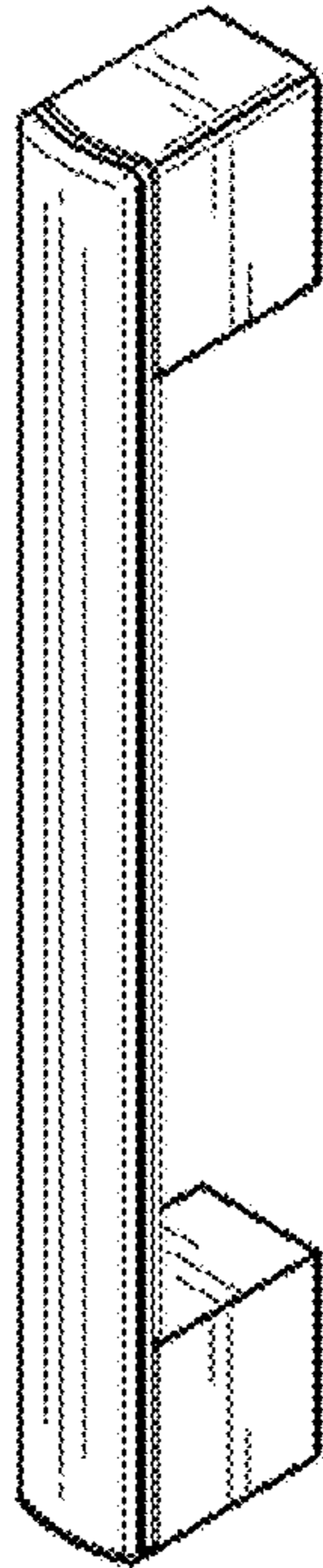


FIG. 2

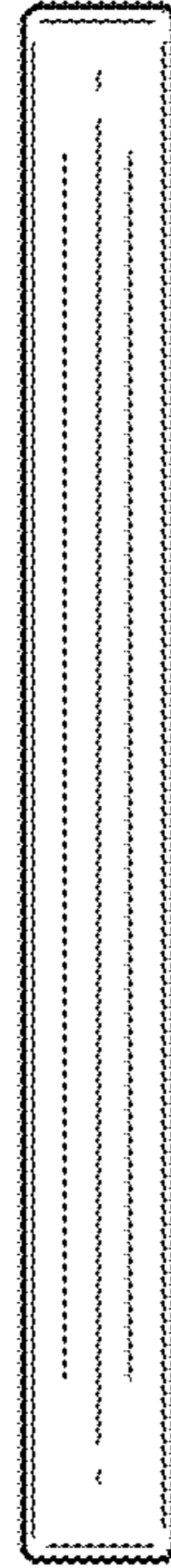


FIG. 3

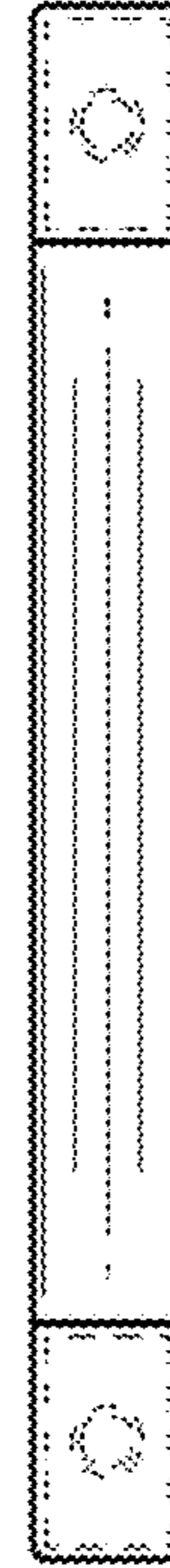


FIG. 4



FIG. 5

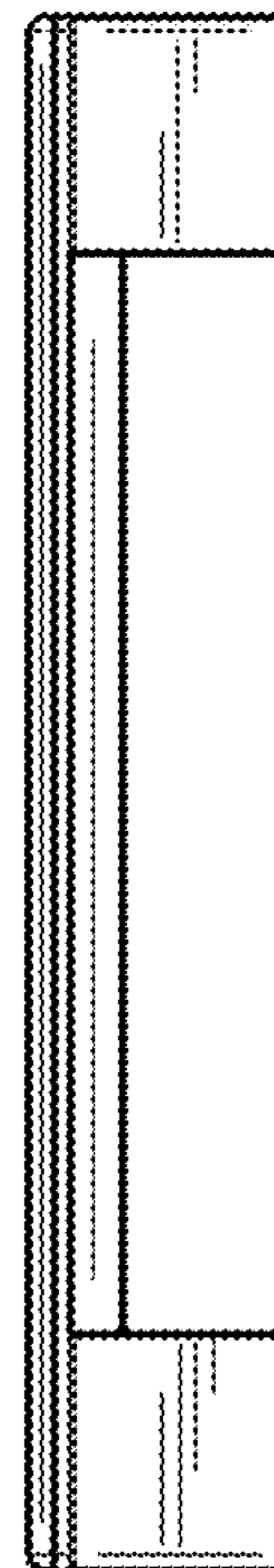


FIG. 6