



US00D855393S

(12) **United States Design Patent**
Johnston

(10) **Patent No.:** **US D855,393 S**

(45) **Date of Patent:** **** Aug. 6, 2019**

(54) **SHAKER COVER**

(71) Applicant: **The Johnston Machine Company, LLC, Gilbert, AZ (US)**

(72) Inventor: **Joseph E. Johnston, Gilbert, AZ (US)**

(73) Assignee: **THE JOHNSON MACHINE COMPANY, LLC, Gilbert, AZ (US)**

(**) Term: **15 Years**

(21) Appl. No.: **29/595,084**

(22) Filed: **Feb. 24, 2017**

(51) **LOC (12) Cl.** **07-99**

(52) **U.S. Cl.**
USPC **D7/401.1**

(58) **Field of Classification Search**
USPC D7/401.1, 300, 300.1, 301, 302, 303, D7/305, 313, 314, 316, 317, 318, 321, D7/589, 590, 591, 592, 596, 597, 598; D9/435, 439, 440, 545; 215/230, 355, 215/356, 357, 273, 274, 276, 283, 295, 215/296, 314, 294, 260, 228, 277, 297, 215/320, 364; 220/203.13; 222/548
CPC .. B65D 79/005; B65D 79/00; B65D 81/2038; B65D 81/20; B65D 39/0052; B65D 39/16; B65D 39/0023; B65D 41/28; B65D 41/0442; B65D 41/0492; B65D 2539/003; B65D 2539/008; B65D 47/246; B65D 47/248; B65D 39/00; B65D 39/0076; A61J 1/1468; B67B 7/063; B67B 7/0441
See application file for complete search history.

(56) **References Cited**

U.S. PATENT DOCUMENTS

- 51,303 A * 12/1865 Fry B65D 51/1683
215/262
- 137,938 A * 4/1873 Marble et al. B65D 51/1683
215/314

- 481,363 A * 8/1892 Macauley B65D 39/08
215/357
- 604,443 A * 5/1898 Walker B65D 53/06
215/233
- 702,169 A * 6/1902 Williams B65D 47/265
222/548
- 1,265,562 A * 5/1918 Wessel B65D 47/283
222/409
- 1,561,019 A * 11/1925 Peterson A47G 19/24
222/404
- D70,539 S * 7/1926 Corby D7/597
- 1,603,565 A * 10/1926 Voss B65D 47/265
215/277
- 1,659,679 A * 2/1928 Blinn B65D 39/00
215/228
- 1,669,884 A * 5/1928 Wacker B65D 47/265
222/498
- 1,916,976 A * 7/1933 Gutmann B65D 41/045
215/228

(Continued)

Primary Examiner — Shannon W Morgan

(74) *Attorney, Agent, or Firm* — Snell & Wilmer, L.L.P.

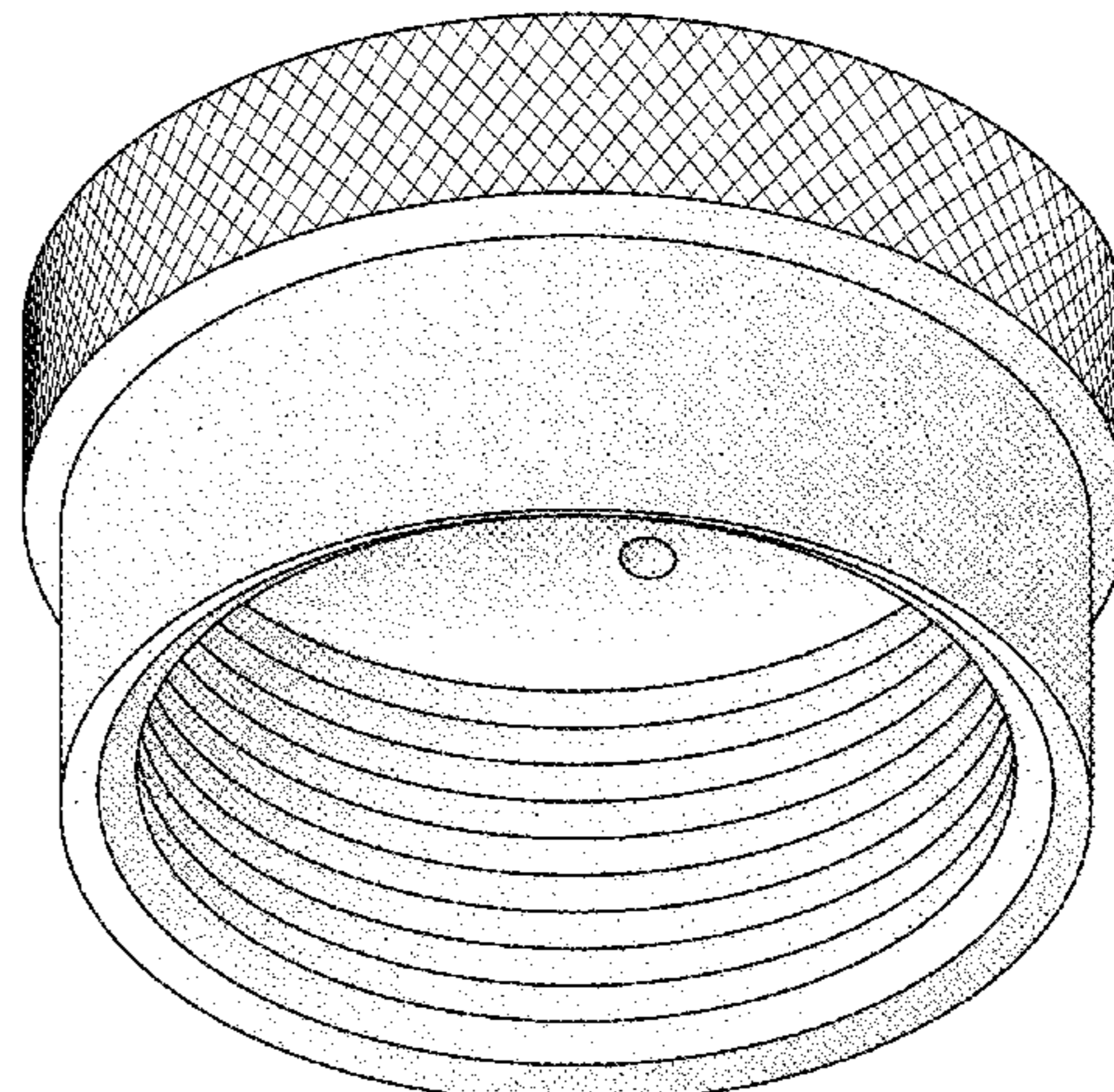
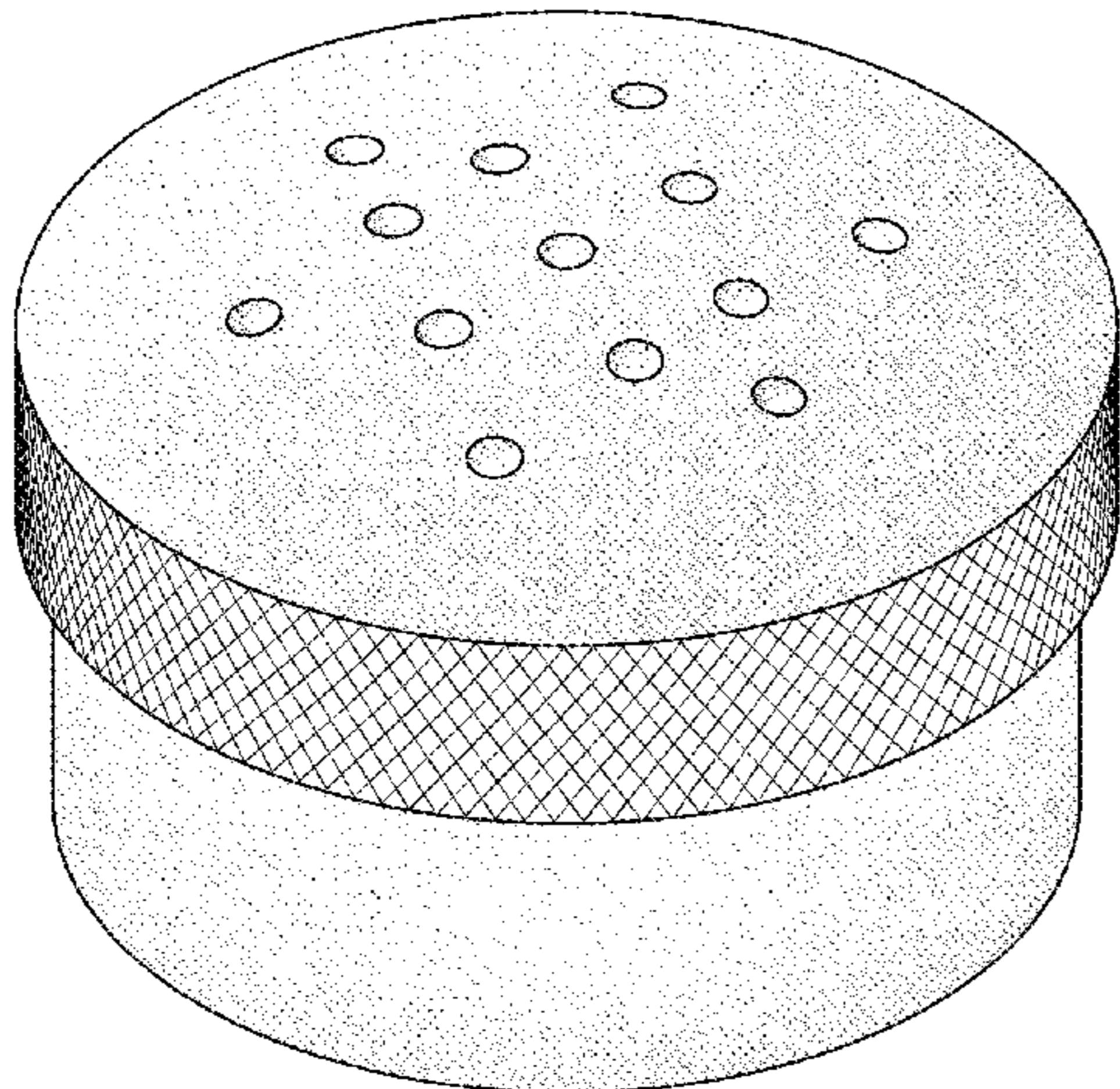
(57) **CLAIM**

The ornamental design for a shaker cover, as shown and described.

DESCRIPTION

FIG. 1 is a top isometric view of a shaker cover.
 FIG. 2 is a bottom isometric view thereof.
 FIG. 3 is a front view thereof.
 FIG. 4 is a back view thereof.
 FIG. 5 is a right-side view thereof.
 FIG. 6 is a left-side view thereof.
 FIG. 7 is a top view thereof.
 FIG. 8 is a bottom view thereof; and,
 FIG. 9 is a top isometric view with environment thereof.
 The broken lines shown in FIG. 9 depict environmental subject matter and form no part of the claimed design.

1 Claim, 9 Drawing Sheets



(56)

References Cited

U.S. PATENT DOCUMENTS

1,989,218 A * 1/1935 Villanyi B65D 39/16
215/364
1,996,533 A * 4/1935 Weickel B65D 47/18
125/11.03
2,015,343 A * 9/1935 Jackson B65D 47/246
222/485
2,056,253 A * 10/1936 Carroll B65D 41/62
215/251
2,072,592 A * 3/1937 Fay B65D 39/16
215/364
2,098,832 A * 11/1937 Payson A47G 19/24
215/228
2,192,511 A * 3/1940 Thomas B65D 39/16
215/364
2,476,113 A * 7/1949 Esta A47G 19/24
219/438
D157,332 S * 2/1950 Bolard D9/439
2,562,647 A * 7/1951 Shaver B65D 47/265
222/480
2,569,162 A * 9/1951 Gowland B65D 47/265
222/548
2,573,637 A * 10/1951 Bender B65D 51/005
215/364
2,705,573 A * 4/1955 Zepelovitch B65D 39/007
215/361

2,727,787 A * 12/1955 Mauzy B05B 11/047
215/307
D189,490 S * 12/1960 Kouralis D7/597
2,986,297 A * 5/1961 Pollick B65D 39/00
215/271
3,070,251 A * 12/1962 Mangravite B65D 47/125
215/357
D201,942 S * 8/1965 Feldman D27/125
D203,289 S * 12/1965 Morris D7/594
3,295,692 A * 1/1967 Ellcey A47G 19/24
211/74
D231,684 S * 5/1974 Reyda D7/597
3,920,141 A * 11/1975 Bojardi B65D 51/2835
215/251
4,204,605 A * 5/1980 Ravn B65D 39/0029
206/222
D280,080 S * 8/1985 Miskinis D24/224
4,538,653 A * 9/1985 Shea F16K 11/074
141/285
D346,958 S * 5/1994 Olson D32/35
D480,599 S * 10/2003 Linz D7/392
D496,207 S * 9/2004 Wang D7/300.1
7,207,467 B1 * 4/2007 Raja G09B 21/003
222/142.2
D545,676 S * 7/2007 Rica D9/439
D657,675 S * 4/2012 Averill D9/445

* cited by examiner

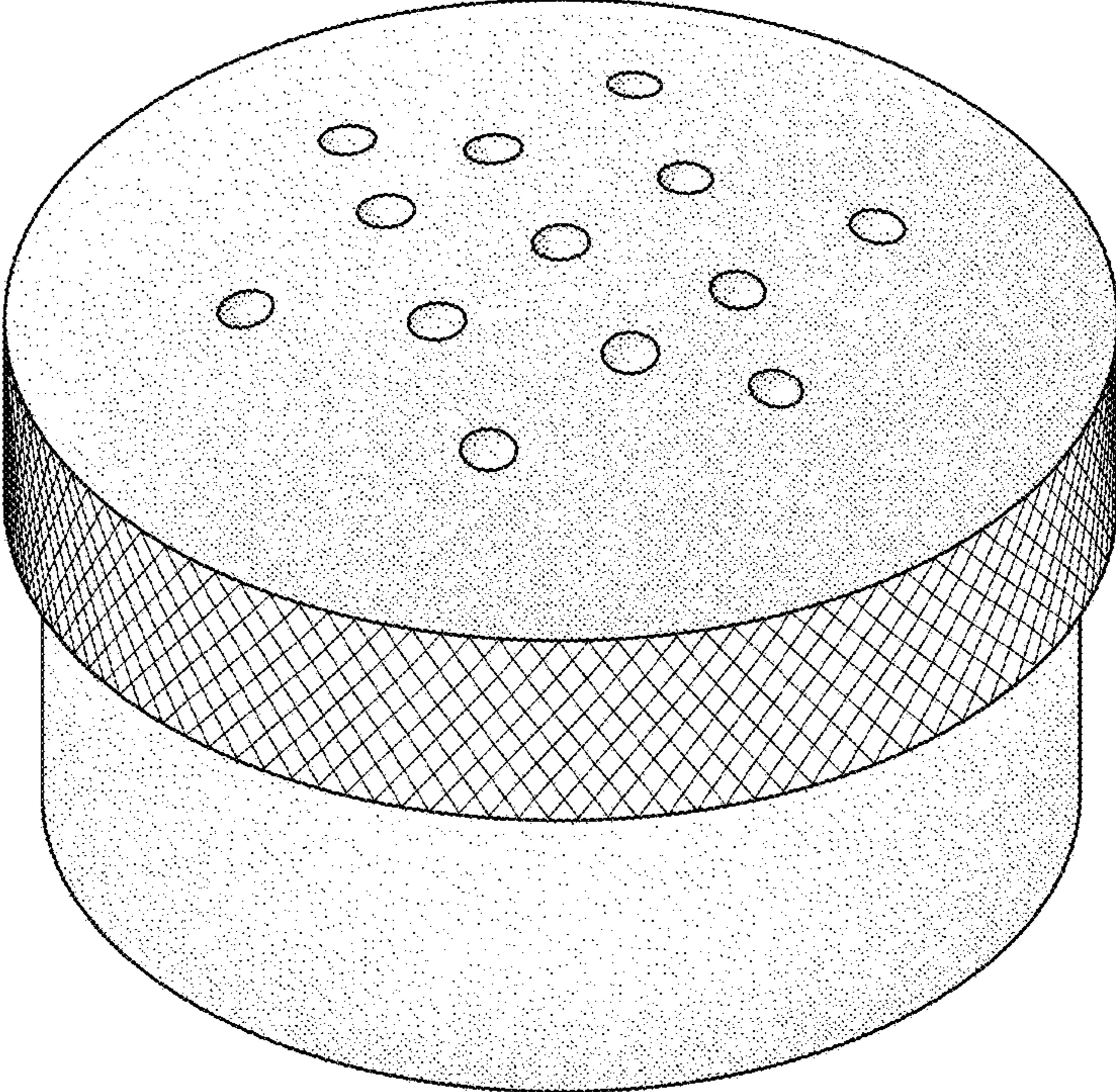


FIG.1

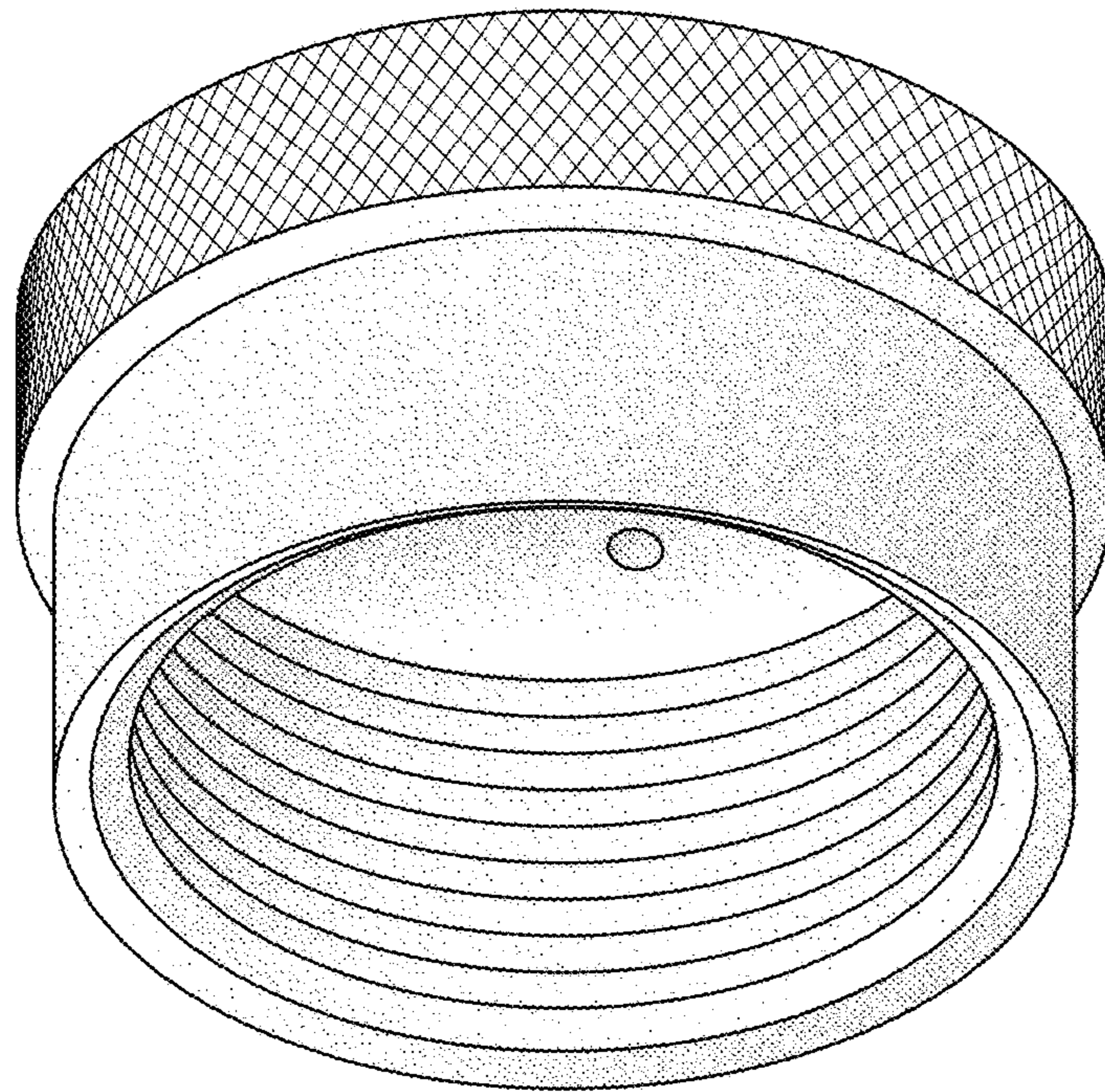


FIG.2

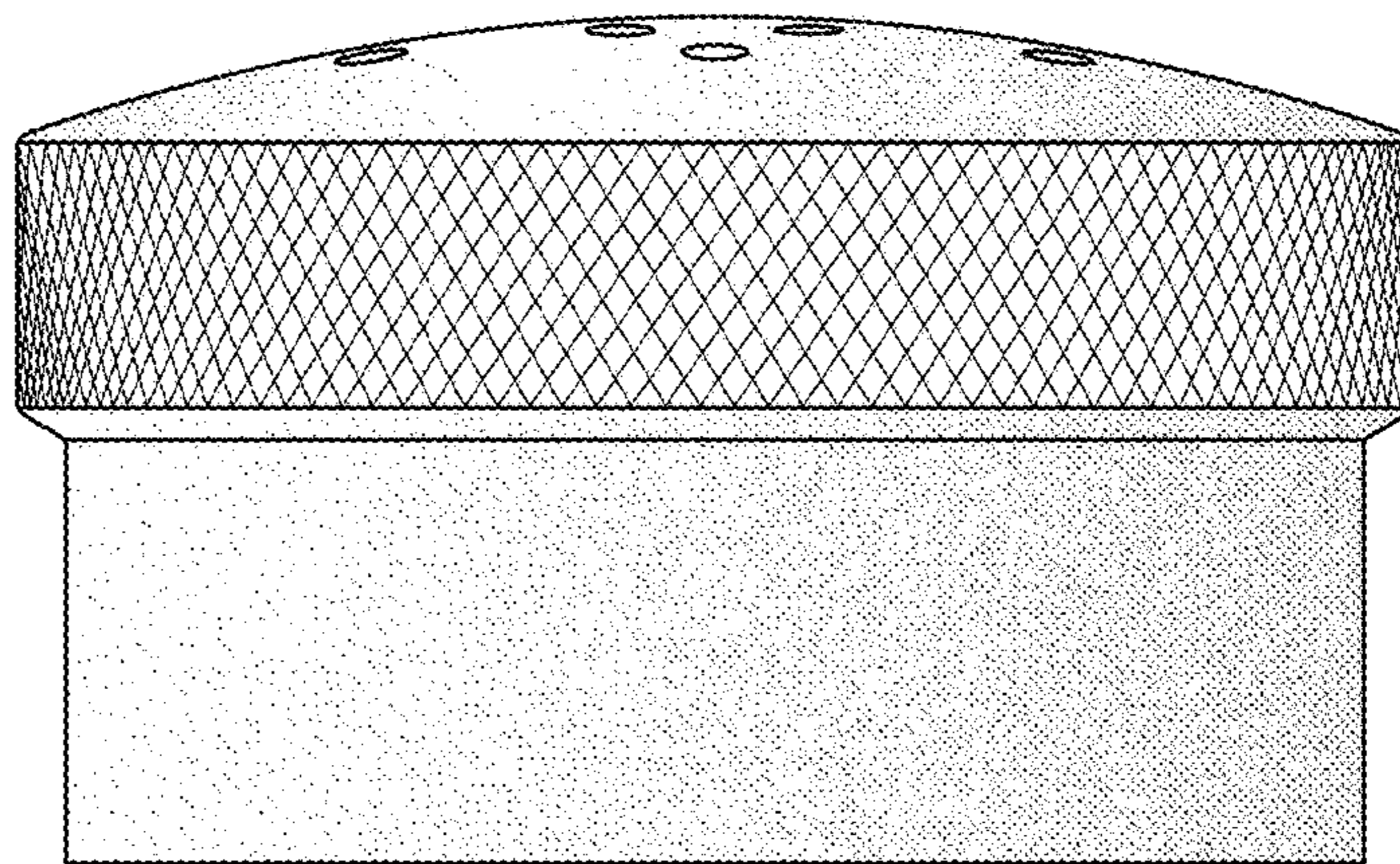


FIG.3

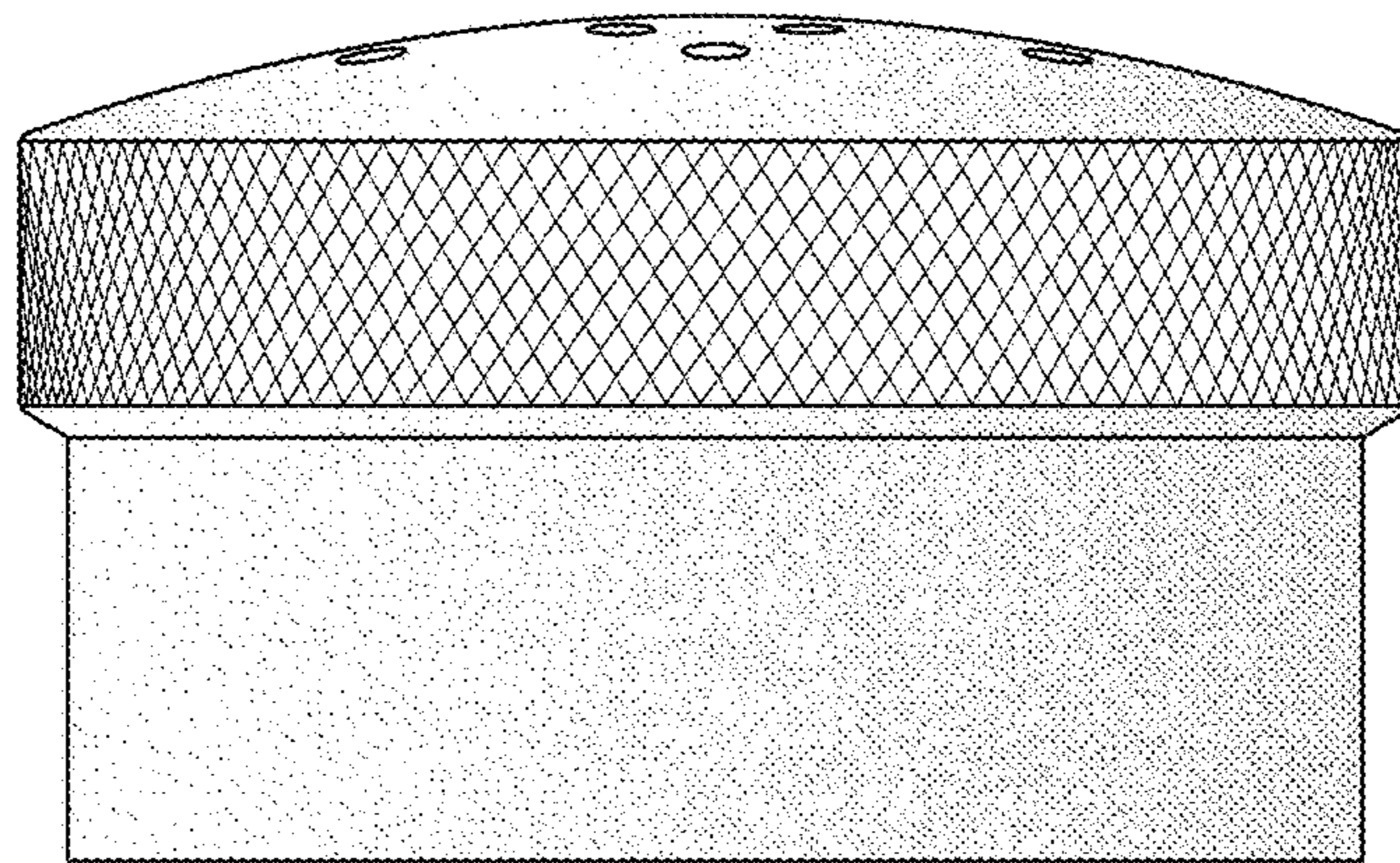


FIG.4

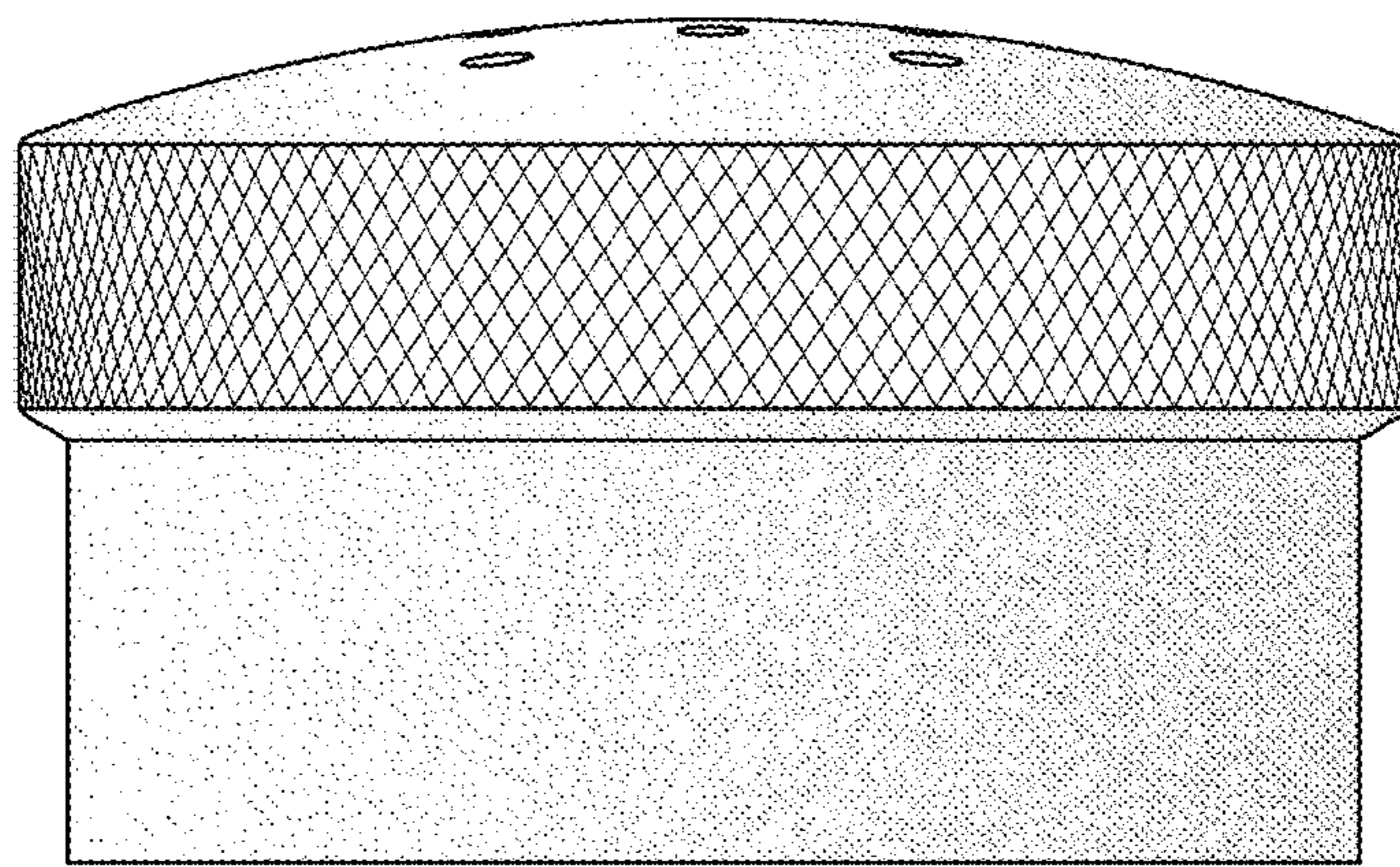


FIG.5

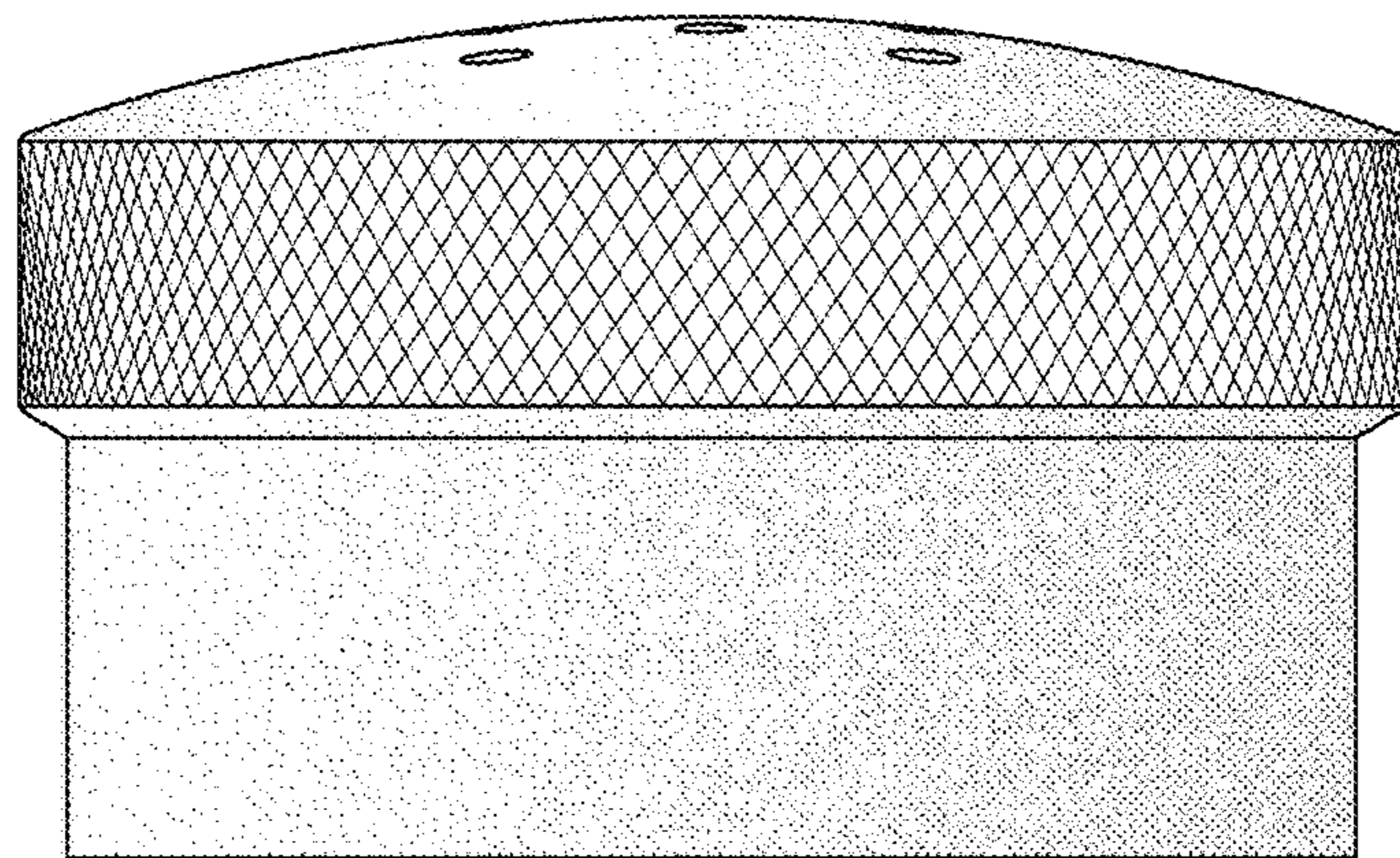


FIG.6

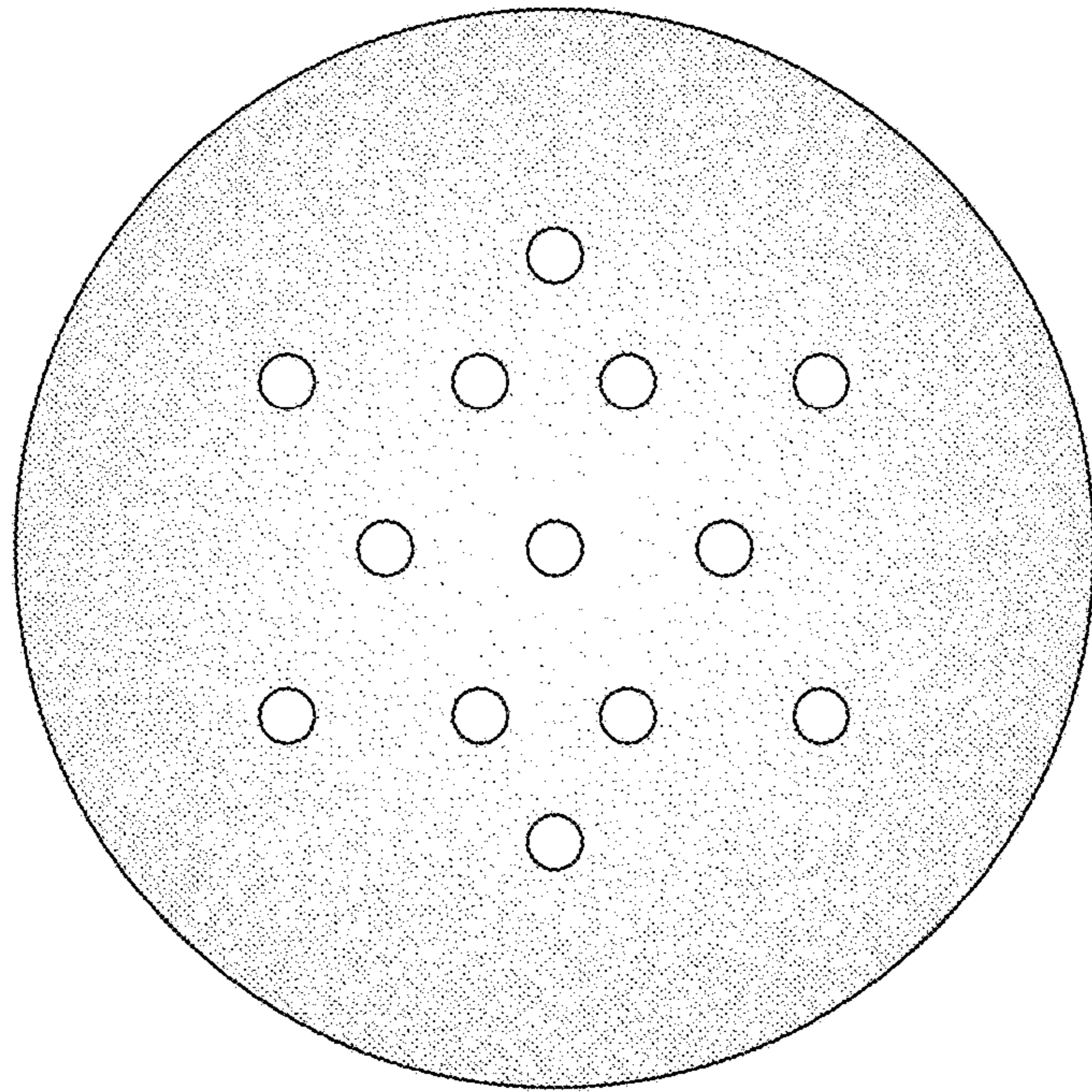


FIG.7

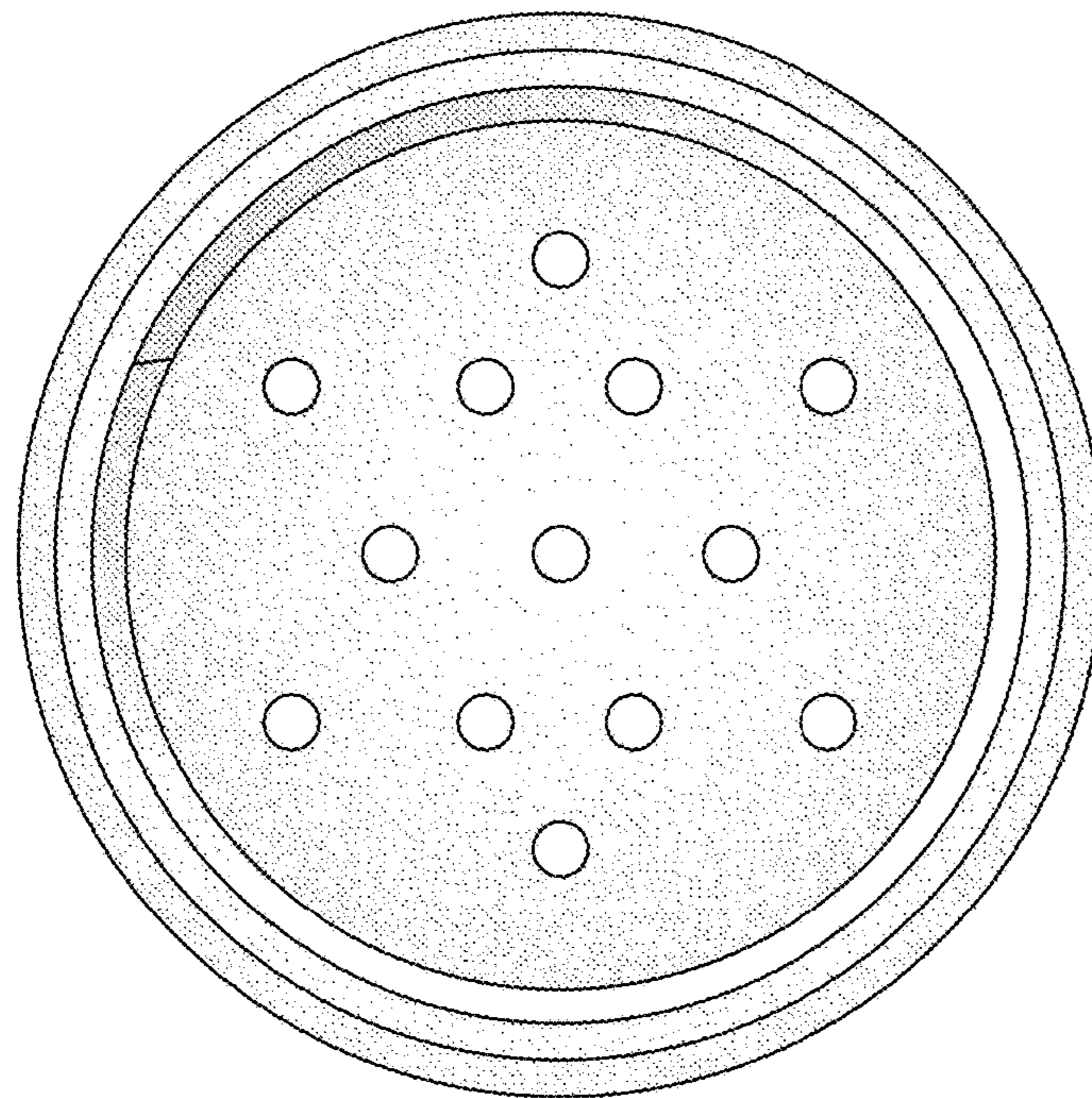


FIG.8

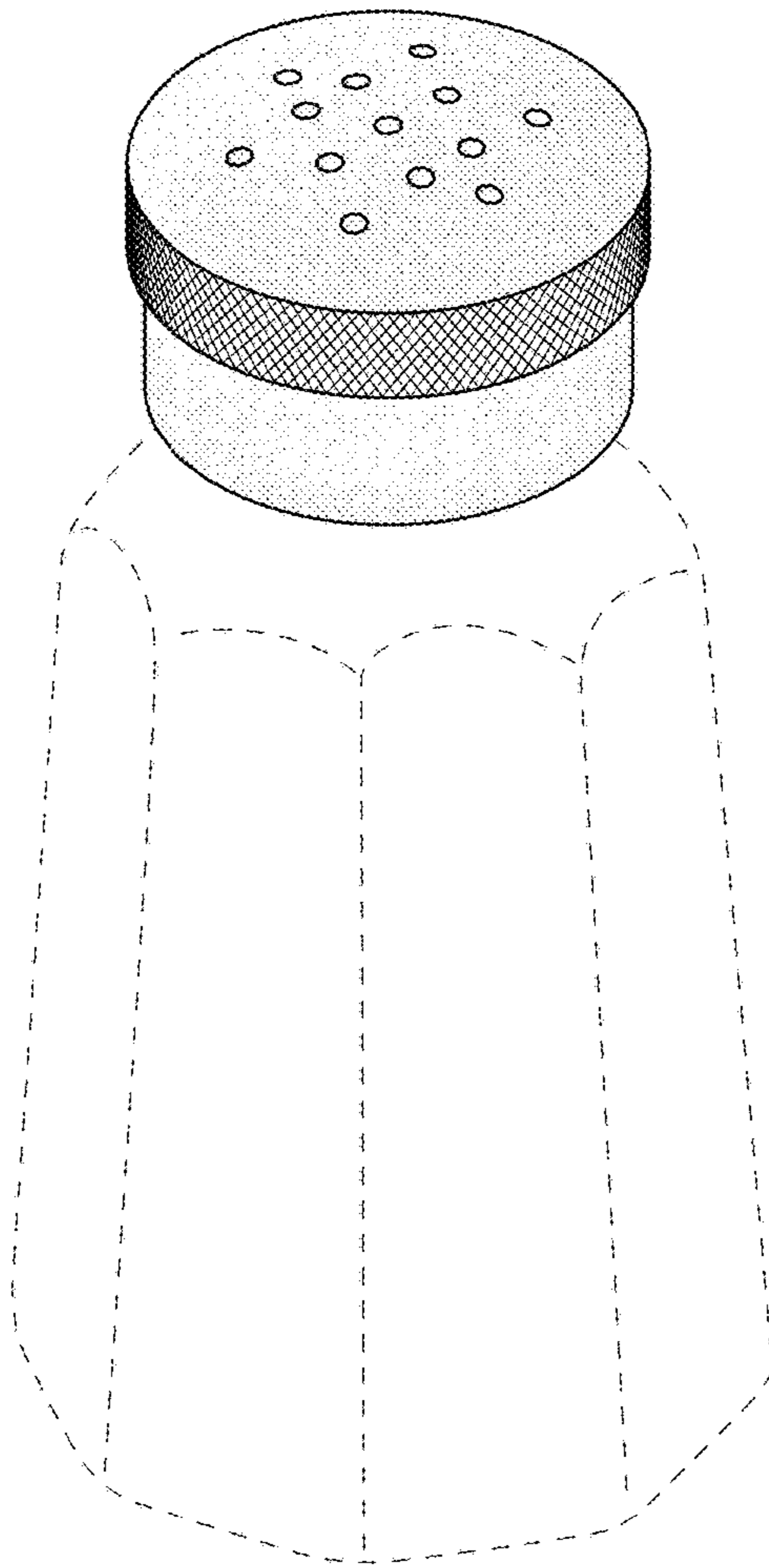


FIG.9