



US00D855391S

(12) **United States Design Patent**  
**Oakes**

(10) **Patent No.:** **US D855,391 S**

(45) **Date of Patent:** **\*\* Aug. 6, 2019**

(54) **RECLOSABLE CUP LID WITH SLIDING MEMBER**

(71) Applicant: **GPCP IP HOLDINGS LLC**, Atlanta, GA (US)

(72) Inventor: **Shawn A. Oakes**, Ripon, WI (US)

(73) Assignee: **GPCP IP HOLDINGS LLC**, Atlanta, GA (US)

(\*\*) Term: **15 Years**

(21) Appl. No.: **29/619,746**

(22) Filed: **Oct. 2, 2017**

**Related U.S. Application Data**

(63) Continuation of application No. 15/480,143, filed on Apr. 5, 2017.

(51) **LOC (12) Cl.** ..... **07-99**

(52) **U.S. Cl.**  
USPC ..... **D7/396.2**; D9/449

(58) **Field of Classification Search**  
USPC .... D3/202; D7/509, 523, 528, 553.6, 554.1, D7/566, 600.1, 601, 602, 619.1, 624.1, D7/624.2, 387, 391, 396.1, 300, 300.1, D7/305, 392.1, 396.2, 397, 398; D9/424, D9/428, 429, 434, 435, 436, 443, 447, D9/448, 449, 452, 454, 455, 686, 718, D9/724; D24/121, 127, 199, 224; D27/102, 126, 133; D30/121, 123, 129, D30/131; D23/259, 260, 261  
CPC ..... A47G 19/22; A47G 19/2272; A47G 19/2222; A47G 19/2266; A47G 19/2294; B65D 47/20; B65D 21/0223; B65D 21/02; B65D 21/265; B65D 2543/0018; B65D 2251/009; B65D 2251/0028; B65D

(Continued)

(56) **References Cited**

U.S. PATENT DOCUMENTS

3,659,758 A 5/1972 Waterman  
5,086,941 A 2/1992 English et al.

(Continued)

OTHER PUBLICATIONS

Colorful PoPo Tumbler Lid: Announced Dec. 25, 2019 [online]. Site Visited Feb. 19, 2019. Available from Internet URL: [https://www.amazon.com/Tumbler-Rambler-Trails-Sliding-Friendly/dp/B01G3Q7LTW/ref=cm\\_cr\\_arp\\_d\\_product\\_top?ie=UTF8#customerReviews](https://www.amazon.com/Tumbler-Rambler-Trails-Sliding-Friendly/dp/B01G3Q7LTW/ref=cm_cr_arp_d_product_top?ie=UTF8#customerReviews).\*

(Continued)

*Primary Examiner* — Jennifer Rivard

*Assistant Examiner* — Catherine S Posthauer

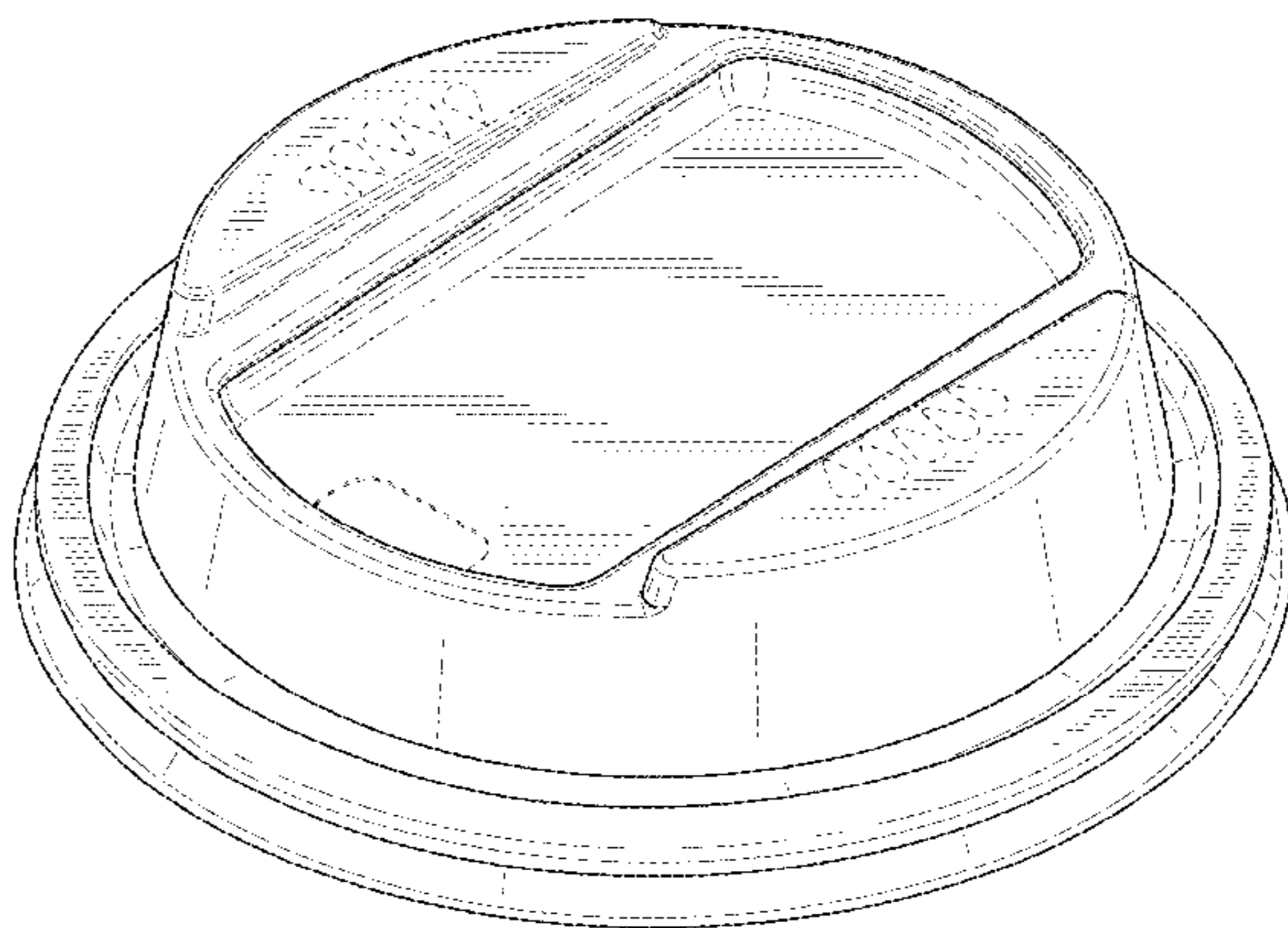
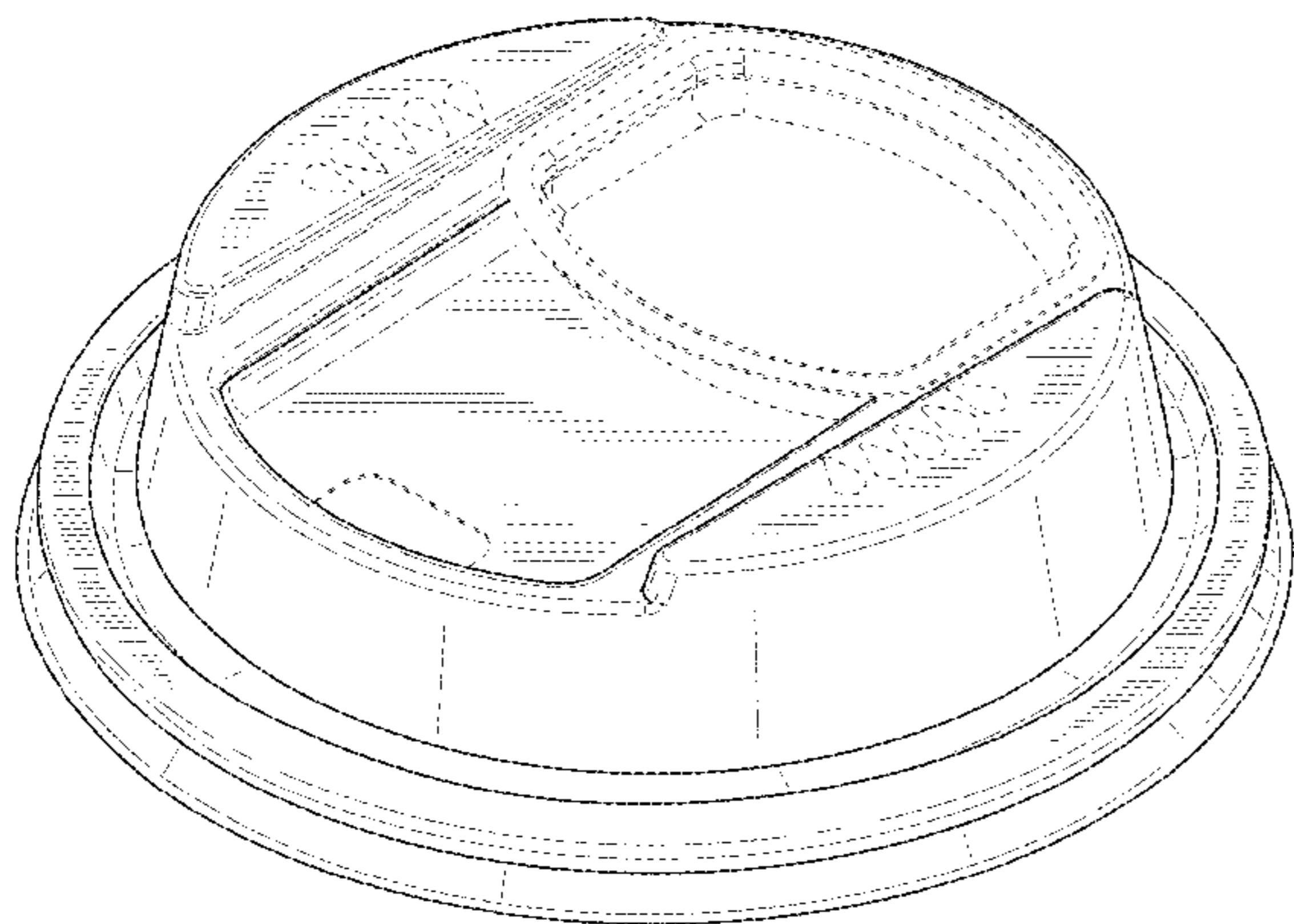
(57) **CLAIM**

The ornamental design for a reclosable cup lid with sliding member, as shown and described.

**DESCRIPTION**

FIG. 1 is a perspective view of a reclosable cup lid with sliding member;  
FIG. 2 is a top plan view thereof;  
FIG. 3 is a front elevation view thereof;  
FIG. 4 is a rear elevation view thereof; and  
FIG. 5 is a left side elevation view thereof, wherein the right side elevation view is a mirror image thereto.  
FIG. 6 is another perspective view of the lid shown in FIG. 1, with the sliding member removed to show aspects of the design that are not visible when combined;  
FIG. 7 is a top plan view of the lid shown in FIG. 6;  
FIG. 8 is a front elevation view of the lid shown in FIG. 6;  
FIG. 9 is a rear elevation view of the lid shown in FIG. 6; and  
FIG. 10 is a left side elevation view of the lid shown in FIG. 6, wherein the right side elevation view is a mirror image thereto.  
The broken lines are shown for the purpose of illustrating parts of the article that form no part of the claim.

**1 Claim, 6 Drawing Sheets**



(58) **Field of Classification Search**

CPC ..... 2251/0081; B65D 41/02; B65D 41/18;  
 B65D 2215/00; B65D 2215/02; B65D  
 50/00; B65D 50/041; B65D 50/04; B65D  
 23/001; A47J 36/10; A47J 36/14; A47J  
 36/06

See application file for complete search history.

(56) **References Cited**

U.S. PATENT DOCUMENTS

5,938,062	A	8/1999	Paramski	
7,275,653	B2	10/2007	Tedford, Jr.	
D589,747	S *	4/2009	Wong	D7/396.1
7,523,534	B2	4/2009	MacKenzie et al.	
D655,162	S *	3/2012	Daniel	D9/445
D658,057	S *	4/2012	Donat	D9/447
D658,059	S *	4/2012	Bailey	D9/447
D666,052	S *	8/2012	Trombly	D7/392.1
D696,940	S *	1/2014	Hale	D9/447
D712,740	S *	9/2014	Antal	D9/435
D721,535	S *	1/2015	Chapman	D7/396.2
9,238,529	B1	1/2016	Newman et al.	
D751,340	S	3/2016	Seiders et al.	
D751,341	S *	3/2016	Seiders	D7/396.2
D761,104	S *	7/2016	Buck	D9/447
9,492,033	B2	11/2016	Abrams et al.	
D790,272	S *	6/2017	Han	D7/396.2
D802,362	S *	11/2017	Spivey	D7/396.2
D806,543	S *	1/2018	Finkbohner	D9/443
D807,746	S *	1/2018	Fleming	D9/454
D818,312	S *	5/2018	Burns	D7/396.2
2014/0042177	A1 *	2/2014	Fleming	B65D 43/02 220/713

2014/0048549	A1 *	2/2014	Wille	B65D 43/0222 220/713
2014/0231436	A1 *	8/2014	Buck	A47G 19/065 220/521
2015/0250340	A1 *	9/2015	Liu	B65D 43/02 220/254.9
2015/0250341	A1 *	9/2015	Liu	A47G 19/2272 220/254.9
2015/0251818	A1 *	9/2015	Strachan	B65D 43/0208 220/254.8
2016/0244217	A1 *	8/2016	Maple	B65D 47/32
2017/0121072	A1	5/2017	Seiders et al.	
2017/0121074	A1 *	5/2017	Seiders	A47G 19/2272
2017/0210518	A1 *	7/2017	Sato	B65D 43/20
2017/0253392	A1 *	9/2017	Bann	B65D 47/0895
2017/0273484	A1 *	9/2017	Spivey	A47G 19/2288
2017/0275065	A1 *	9/2017	Santos, III	B65D 51/1611
2017/0303713	A1 *	10/2017	Fleming	B65D 43/02
2018/0042414	A1 *	2/2018	Eickhoff	B65D 47/0833
2018/0064273	A1 *	3/2018	Chiou	B65D 43/02
2018/0127161	A1 *	5/2018	Smith	A47G 19/2272
2018/0155096	A1 *	6/2018	Pan	B65D 51/243
2018/0289185	A1 *	10/2018	Oakes	A47G 19/2272

OTHER PUBLICATIONS

Dixie TP9542B Smart Top Lid: Announced Dec. 11, 2011 [online].  
 Site Visited [Feb. 19, 2019]. Available from Internet URL: [https://www.amazon.com/Dixie-TP9542B-Georgia-Pacific-Smart-Reclosable/product-reviews/B00XZM352U/ref=cm\\_cr\\_arp\\_d\\_paging\\_btm\\_next\\_2?ie=UTF8&reviewerType=all\\_reviews&pageNumber=2](https://www.amazon.com/Dixie-TP9542B-Georgia-Pacific-Smart-Reclosable/product-reviews/B00XZM352U/ref=cm_cr_arp_d_paging_btm_next_2?ie=UTF8&reviewerType=all_reviews&pageNumber=2).\*

\* cited by examiner

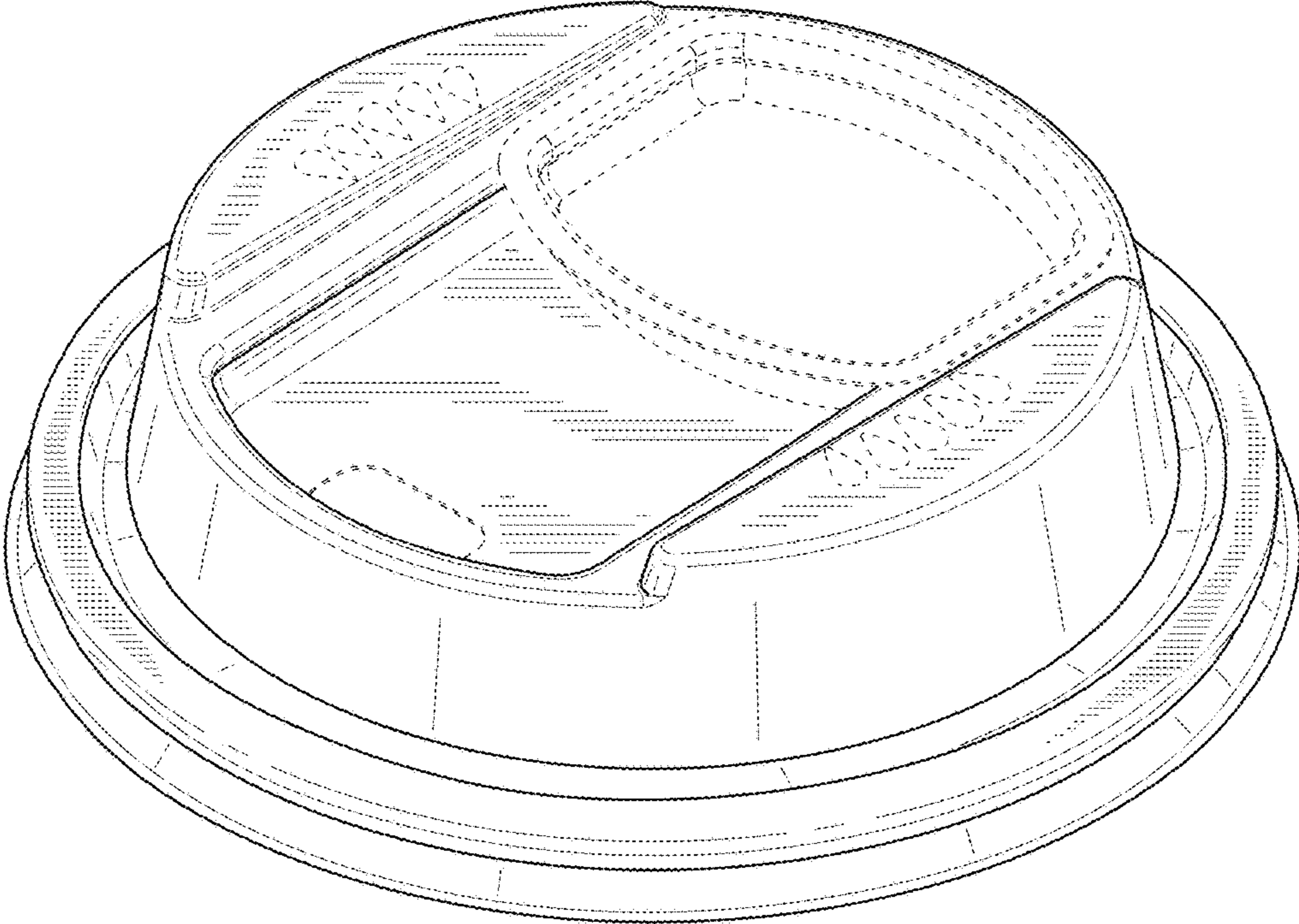


FIG. 1

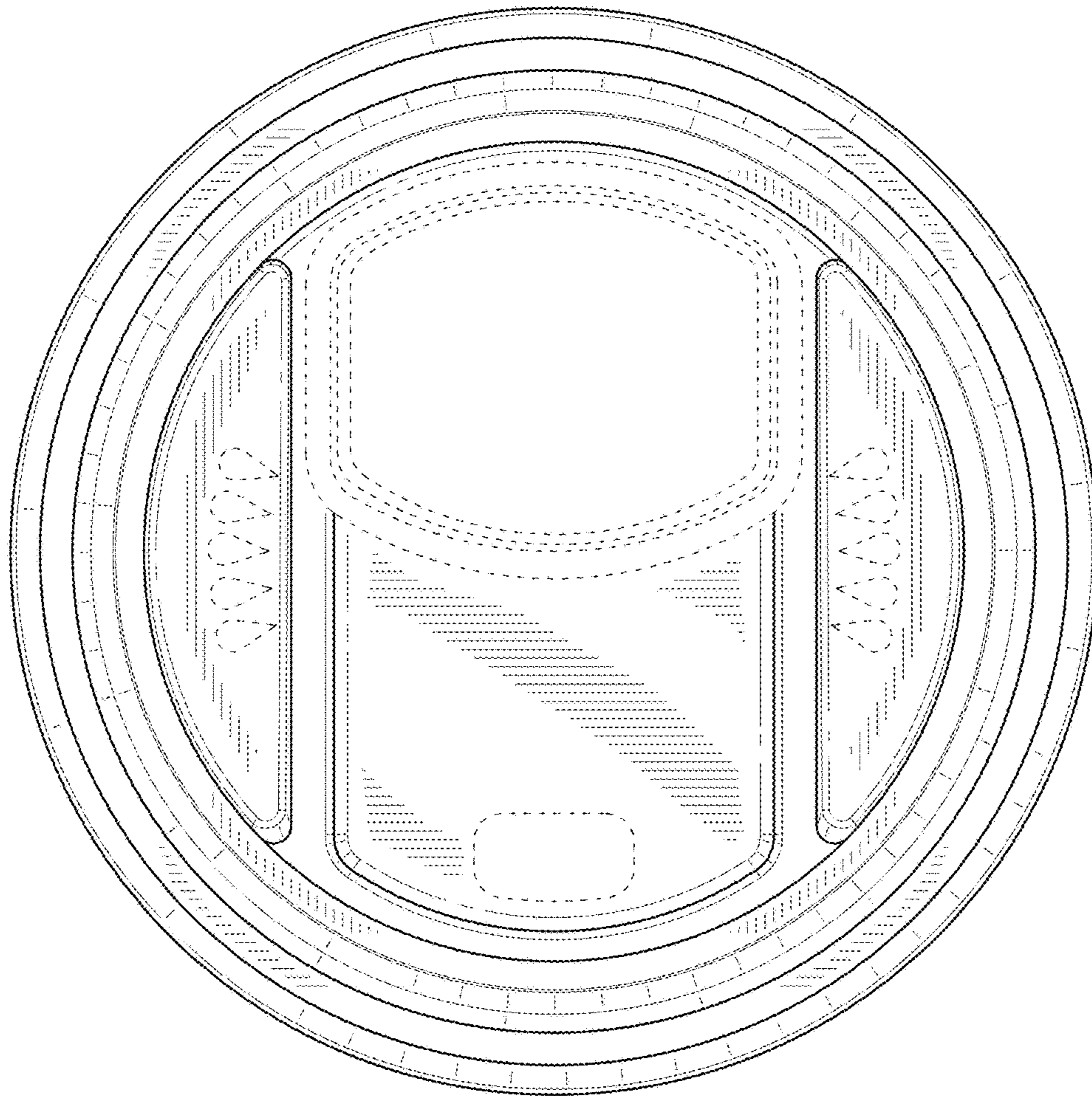


FIG. 2

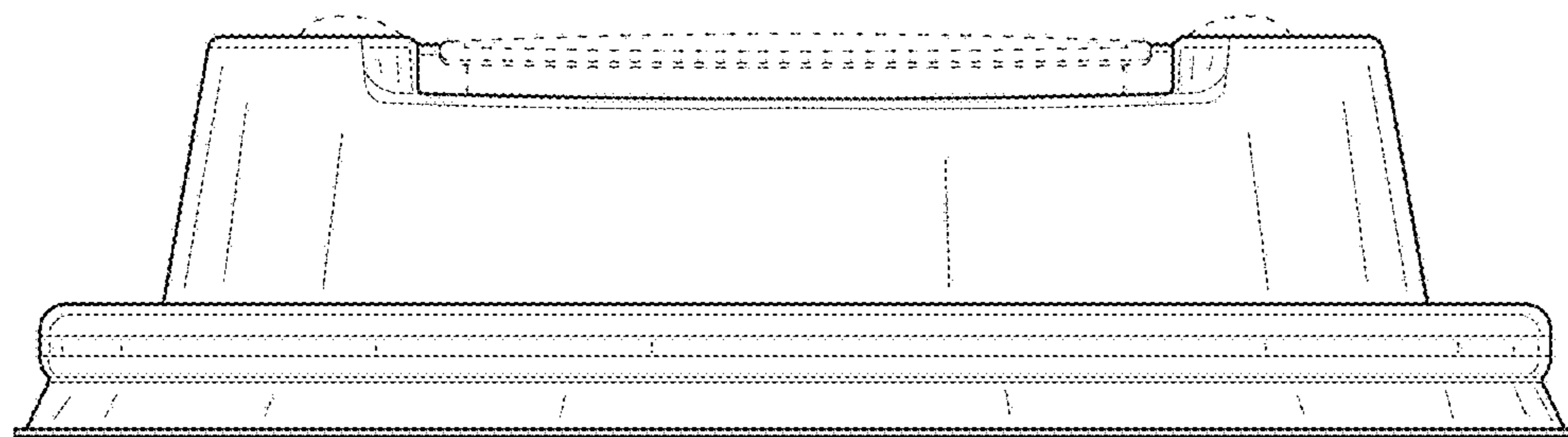


FIG. 3

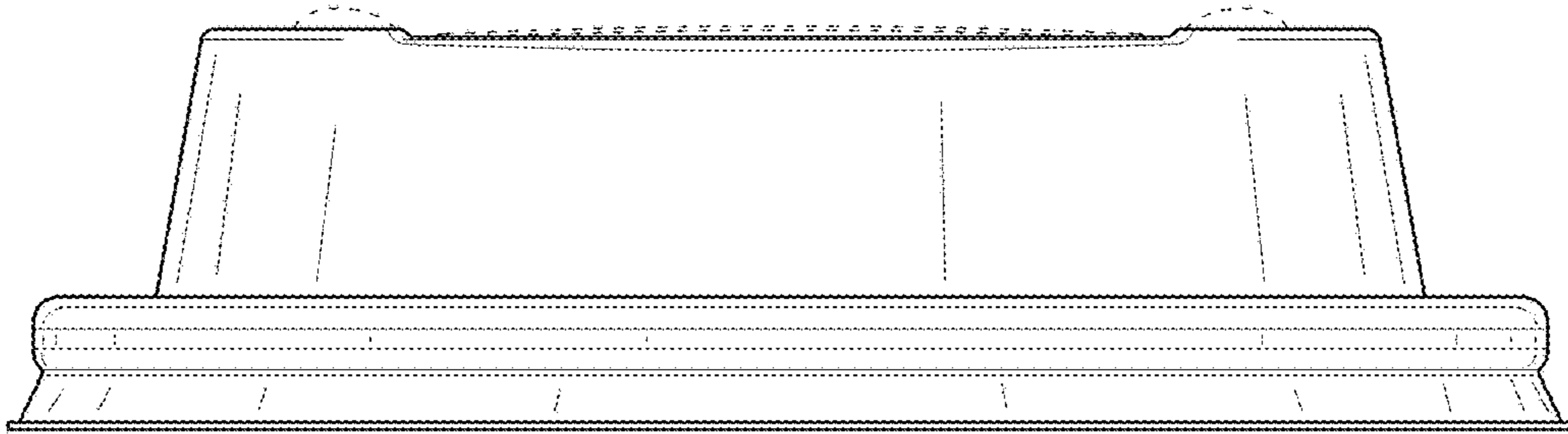


FIG. 4

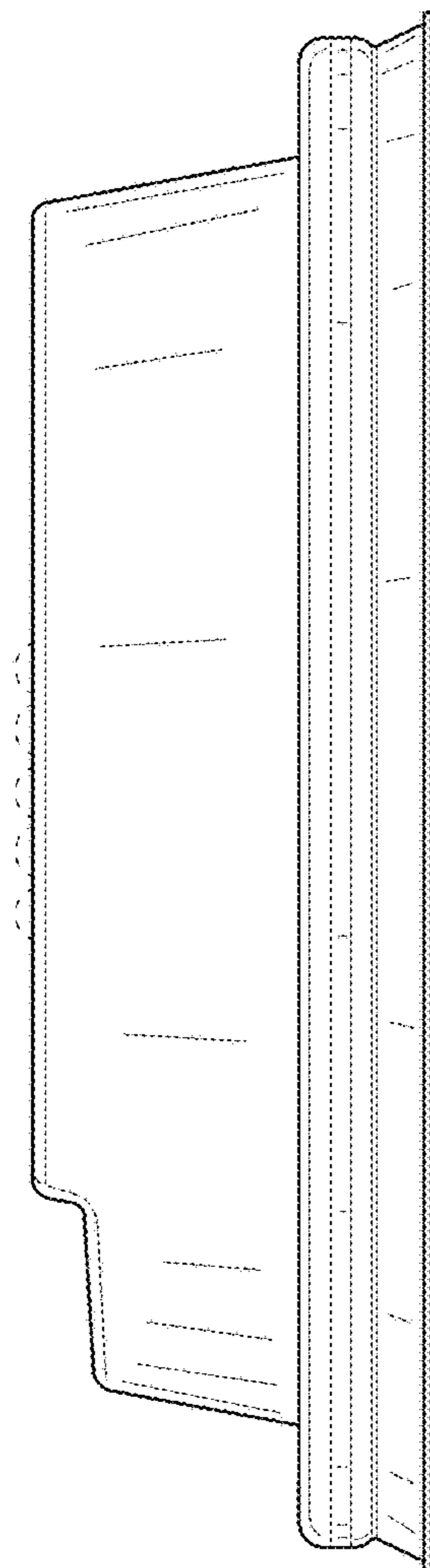


FIG. 5

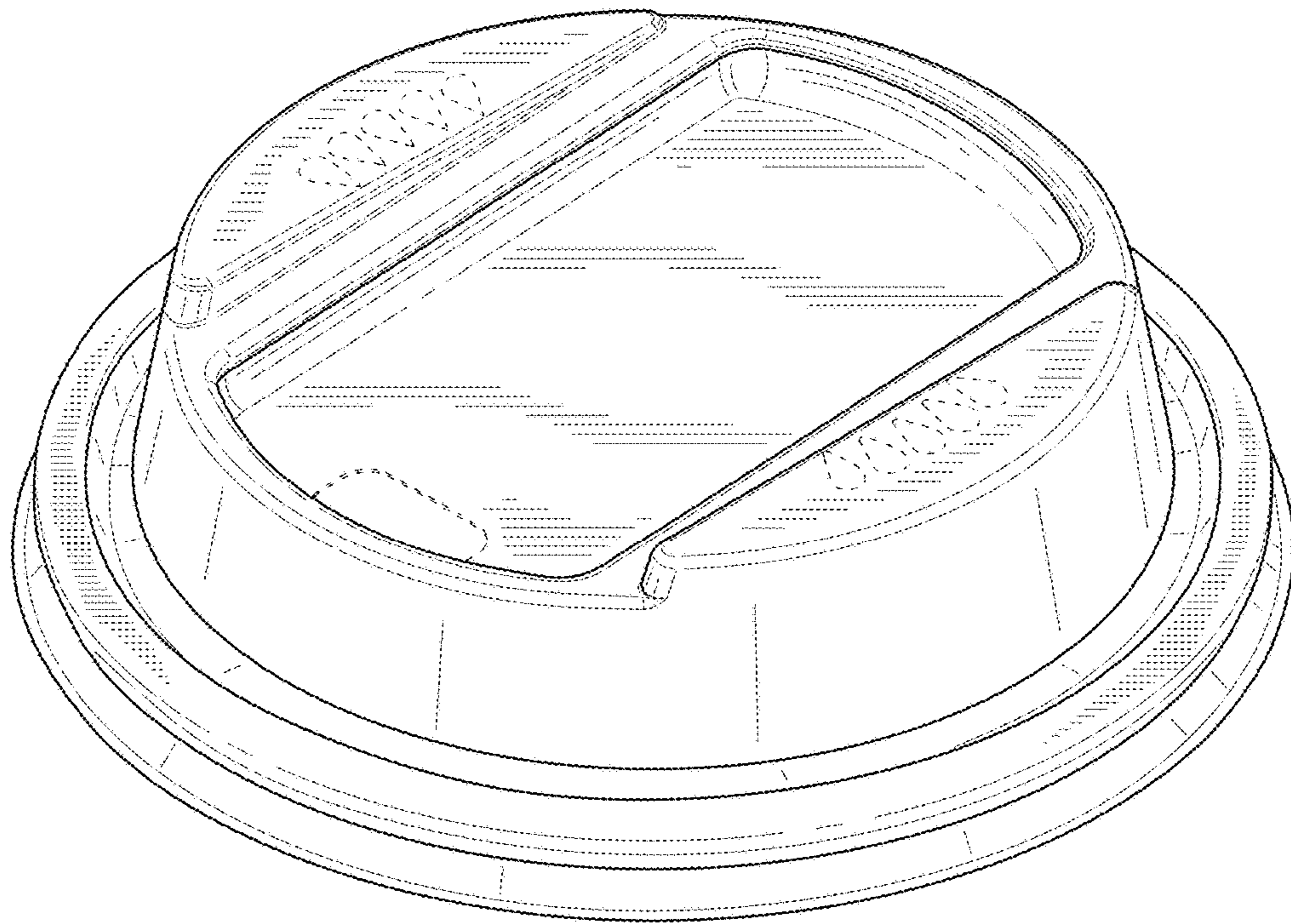


FIG. 6

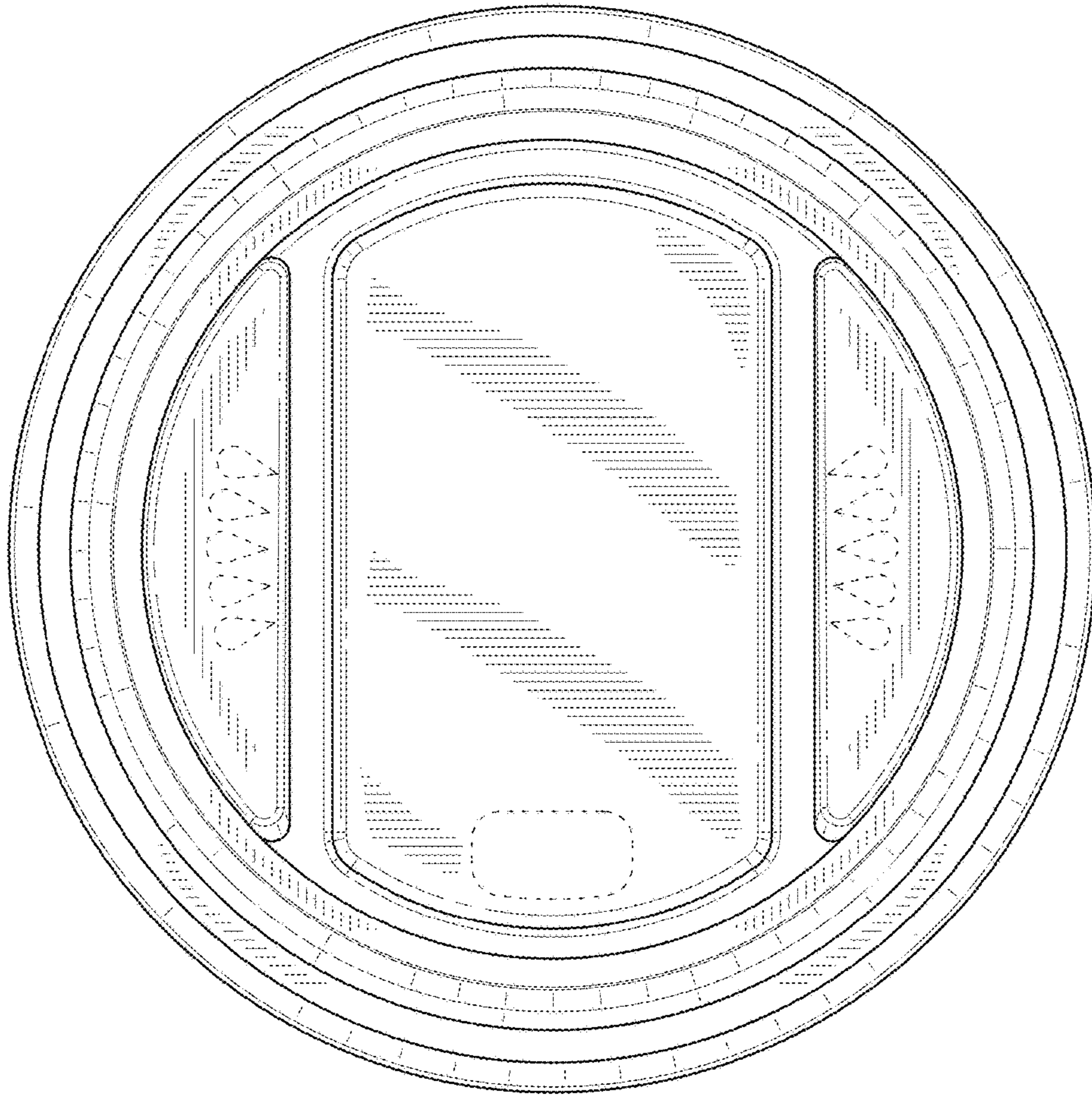


FIG. 7

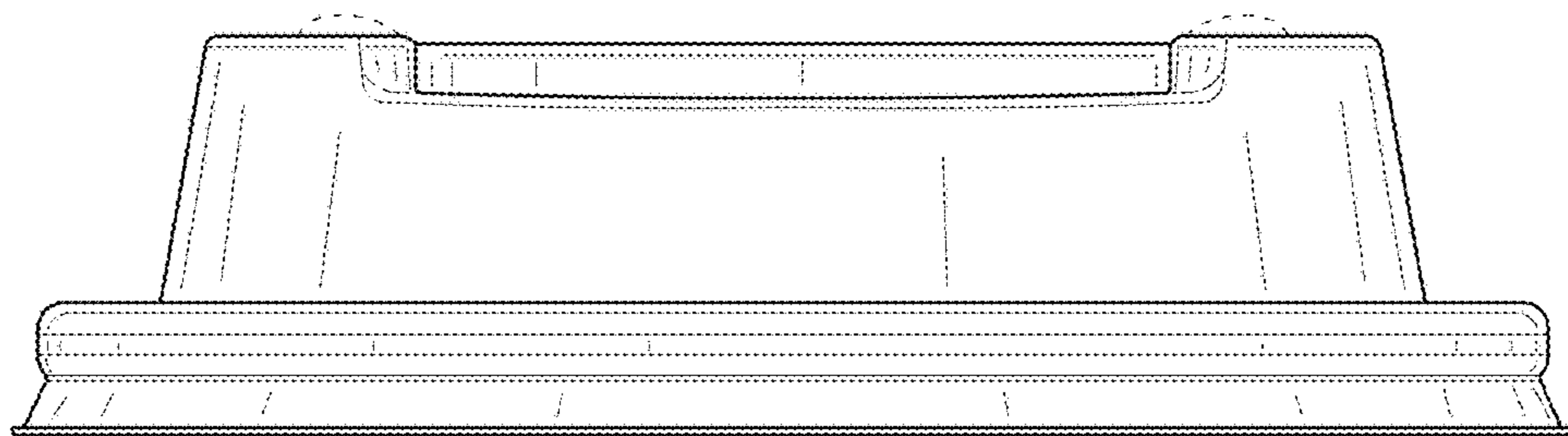


FIG. 8

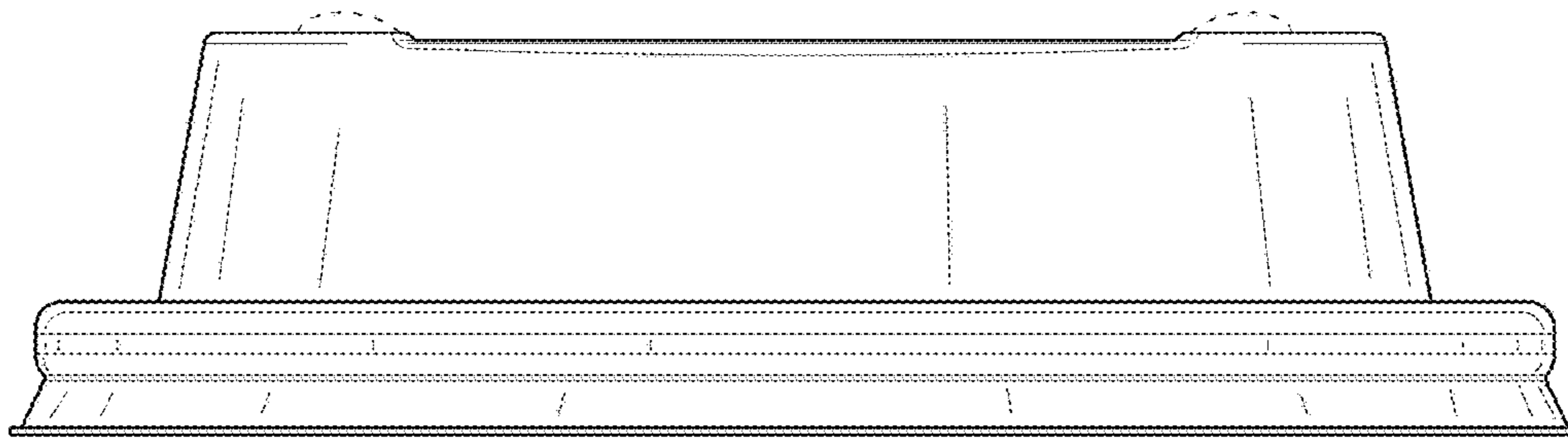


FIG. 9

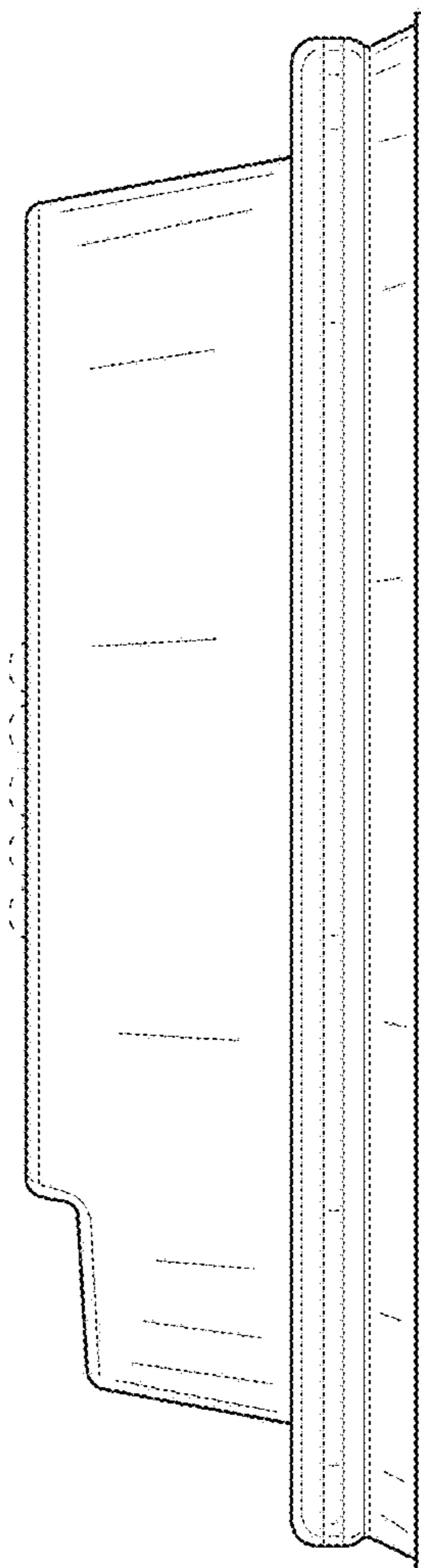


FIG. 10