



US00D855389S

(12) **United States Design Patent**
Waggoner et al.

(10) **Patent No.:** **US D855,389 S**

(45) **Date of Patent:** **** Aug. 6, 2019**

(54) **BEVERAGE CONTAINER CAP**

(71) Applicant: **Cirkul, Inc.**, Sarasota, FL (US)

(72) Inventors: **Garrett S. Waggoner**, Sarasota, FL (US); **Andrew Gay**, Mill Creek, WA (US); **Thomas A. Urbanik**, Watertown, MA (US); **Steffen Koury**, Boston, MA (US); **Nicholas Varjabedian**, Middleborough, MA (US)

(**) Term: **15 Years**

(21) Appl. No.: **29/624,863**

(22) Filed: **Nov. 3, 2017**

(51) **LOC (12) Cl.** **07-01**

(52) **U.S. Cl.**

USPC **D7/392.1**; D7/396.2; D9/436

(58) **Field of Classification Search**

USPC D7/507, 509, 510, 511, 392.1, 396.2, D7/400, 398, 213, 393, 394, 397, 514, D7/515, 389, 581; 220/200, 703; D9/434, 435, 436, 447, 448, 635, 440
CPC B65D 41/56; B65D 41/04; B65D 41/0414; A47J 43/27; A45F 3/16

See application file for complete search history.

(56) **References Cited**

U.S. PATENT DOCUMENTS

D627,602 S *	11/2010	Eyal	D7/510
D629,653 S *	12/2010	Gullickson	D7/510
D719,780 S *	12/2014	Sullivan	D7/392.1
D799,320 S *	10/2017	Goodwin	D7/392.1
D801,174 S *	10/2017	Lown	D9/449
D808,213 S *	1/2018	Lown	D7/396.2
D810,500 S *	2/2018	Maple	D7/392.1
D830,772 S *	10/2018	Rosette	D7/510
D839,050 S *	1/2019	Sibbert	D7/510

D839,675 S *	2/2019	Beckman	D7/511
D840,187 S *	2/2019	Sams	D7/392
D841,391 S *	2/2019	Pape	D7/391
2008/0078200 A1 *	4/2008	Roth	A47J 36/2416 62/457.4
2017/0296988 A1 *	10/2017	Waggoner	A47J 41/0083

* cited by examiner

Primary Examiner — Marianne N Pandozzi

Assistant Examiner — Jae Liang

(74) *Attorney, Agent, or Firm* — John F. Rollins

(57) **CLAIM**

The ornamental design for a beverage container cap, as shown and described.

DESCRIPTION

FIG. 1 is a perspective view of a beverage container cap showing our new design;

FIG. 2 is a bottom perspective view of the beverage container cap of FIG. 1;

FIG. 3 is a front view of the beverage container cap of FIG. 1;

FIG. 4 is a rear view of the beverage container cap of FIG. 1;

FIG. 5 is a left side view of the beverage container cap of FIG. 1;

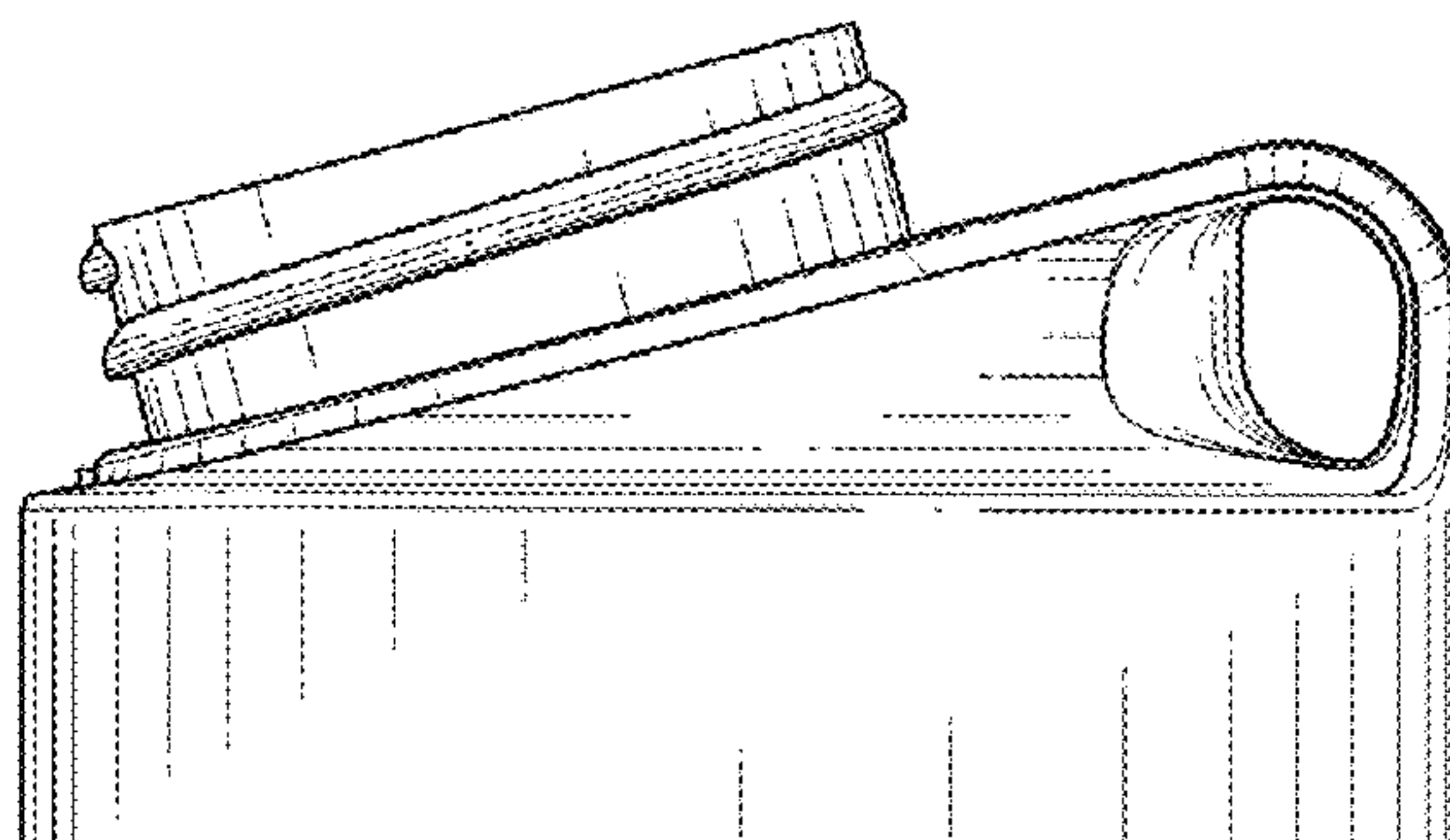
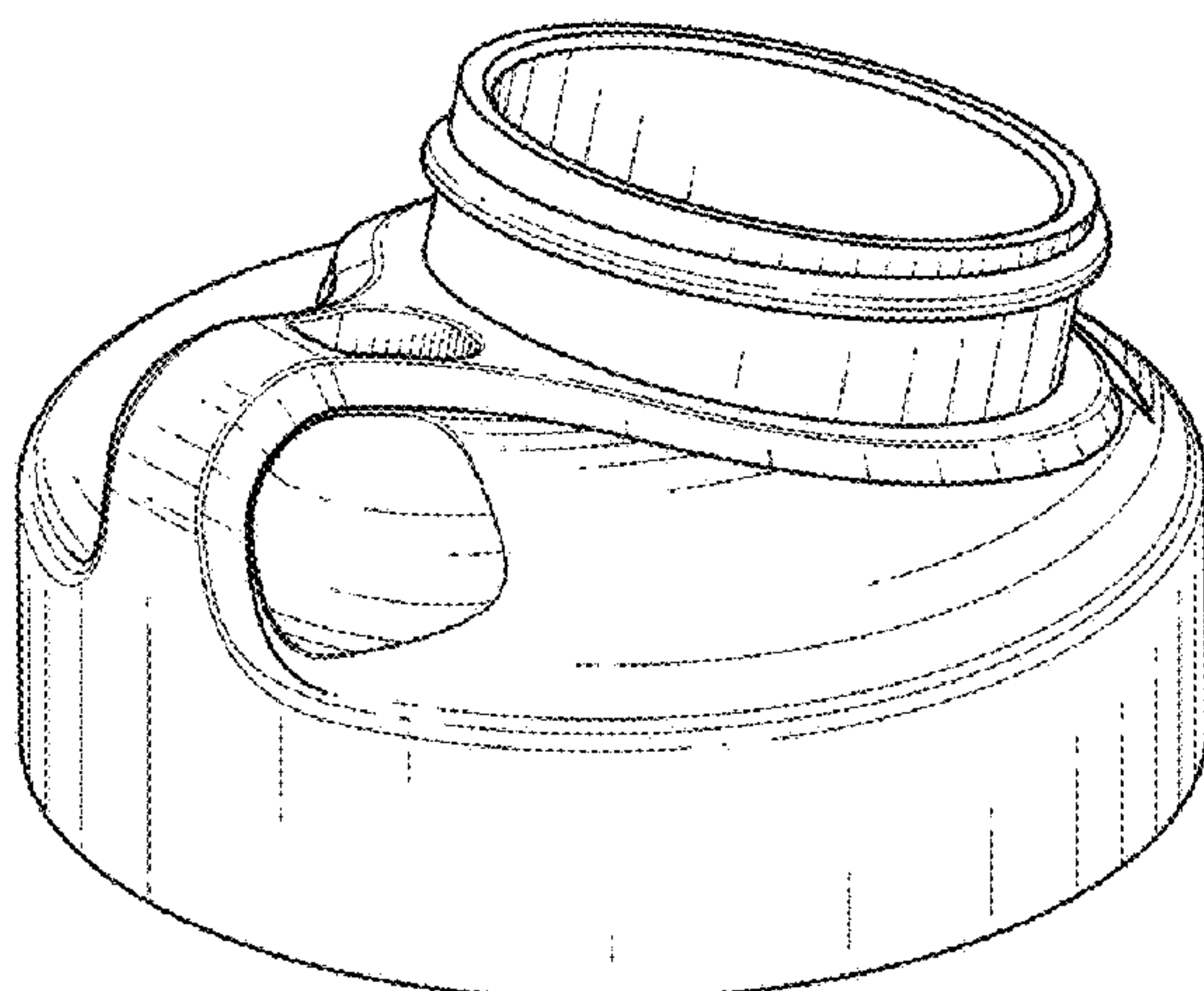
FIG. 6 is a right side view of the beverage container cap of FIG. 1;

FIG. 7 is a top view of the beverage container cap of FIG. 1; and,

FIG. 8 is a bottom view of the beverage container cap of FIG. 1.

The broken lines are for environmental purposes only and form no part of the claimed design.

1 Claim, 4 Drawing Sheets



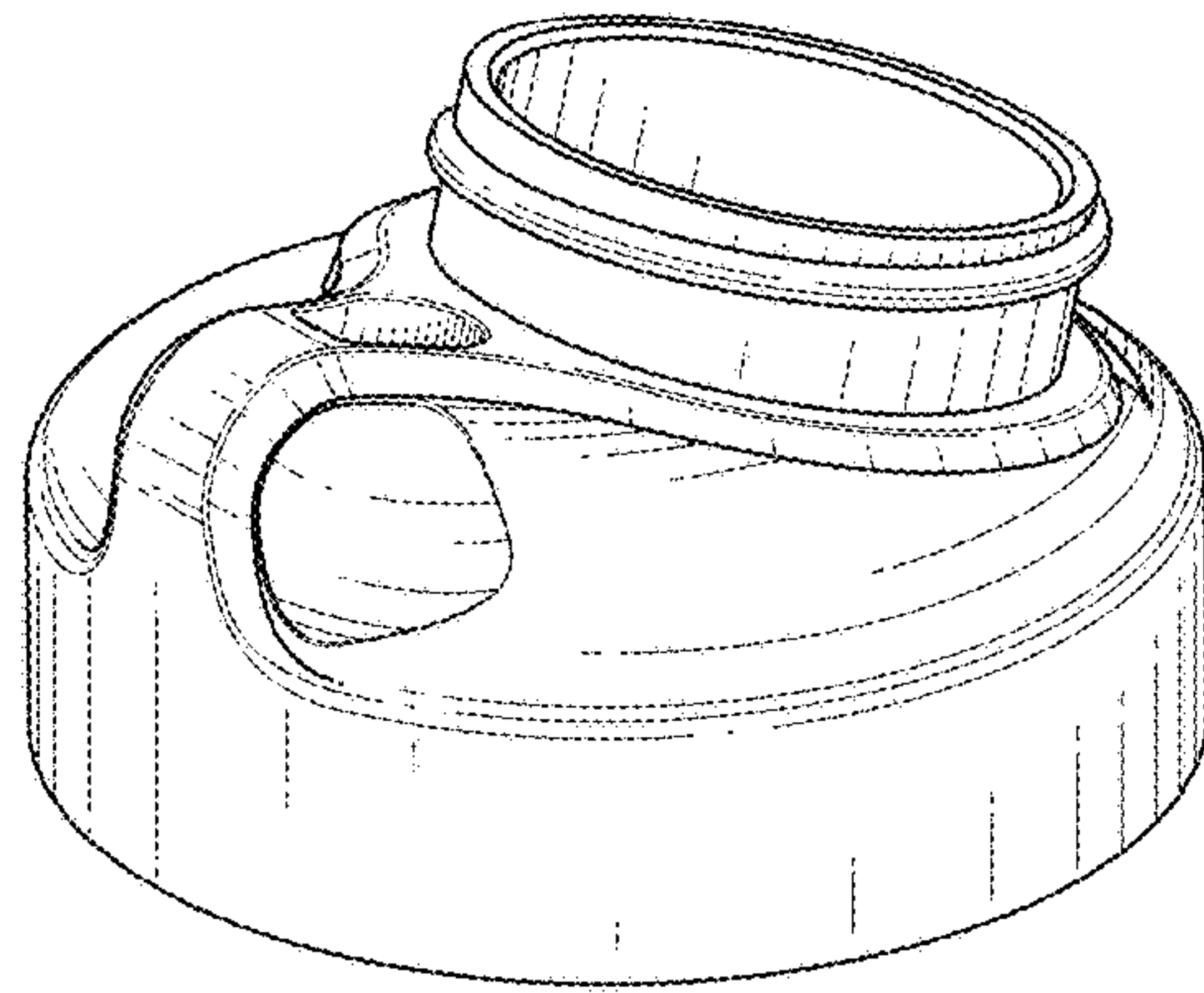


FIG. 1

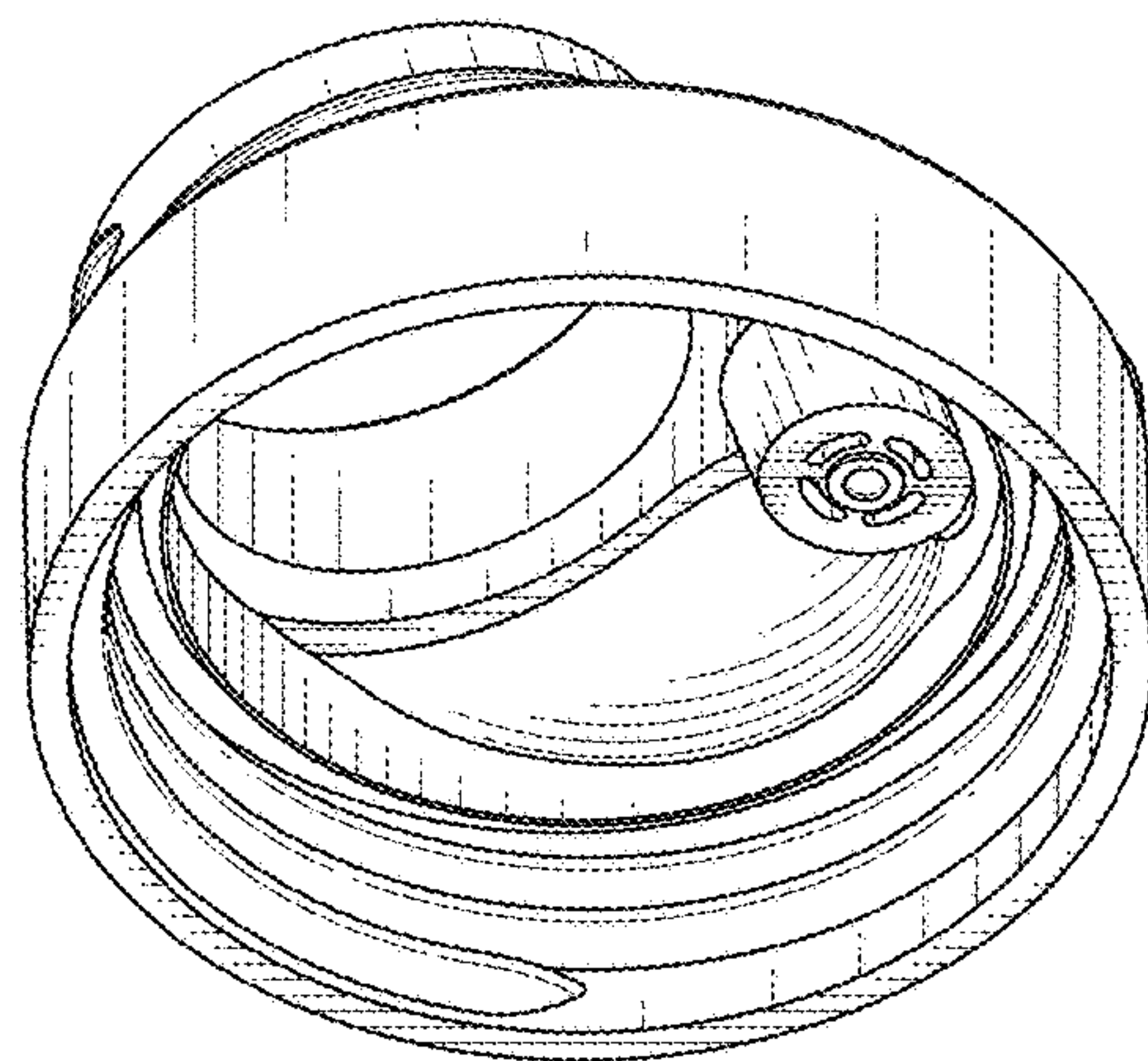


FIG. 2

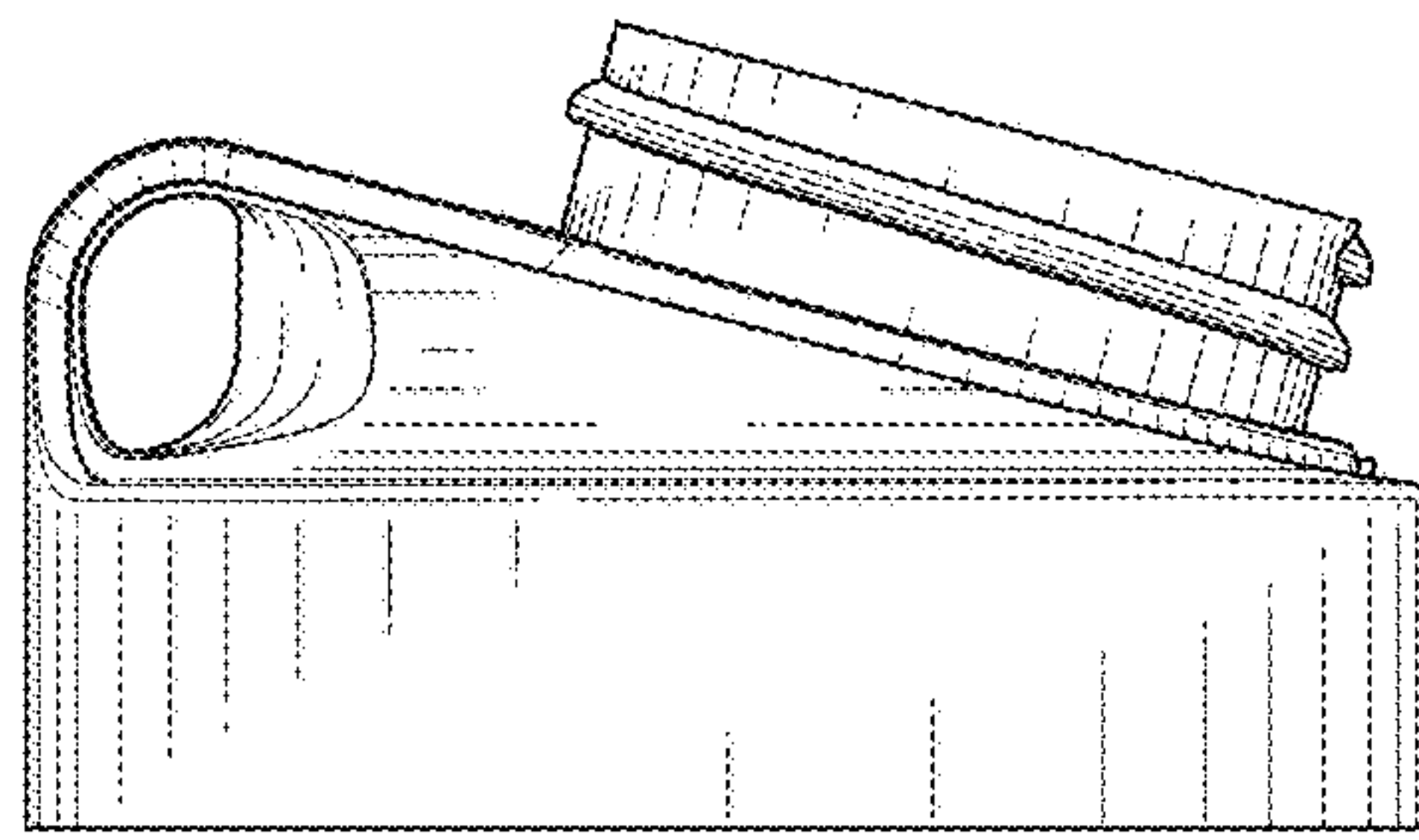


FIG. 3

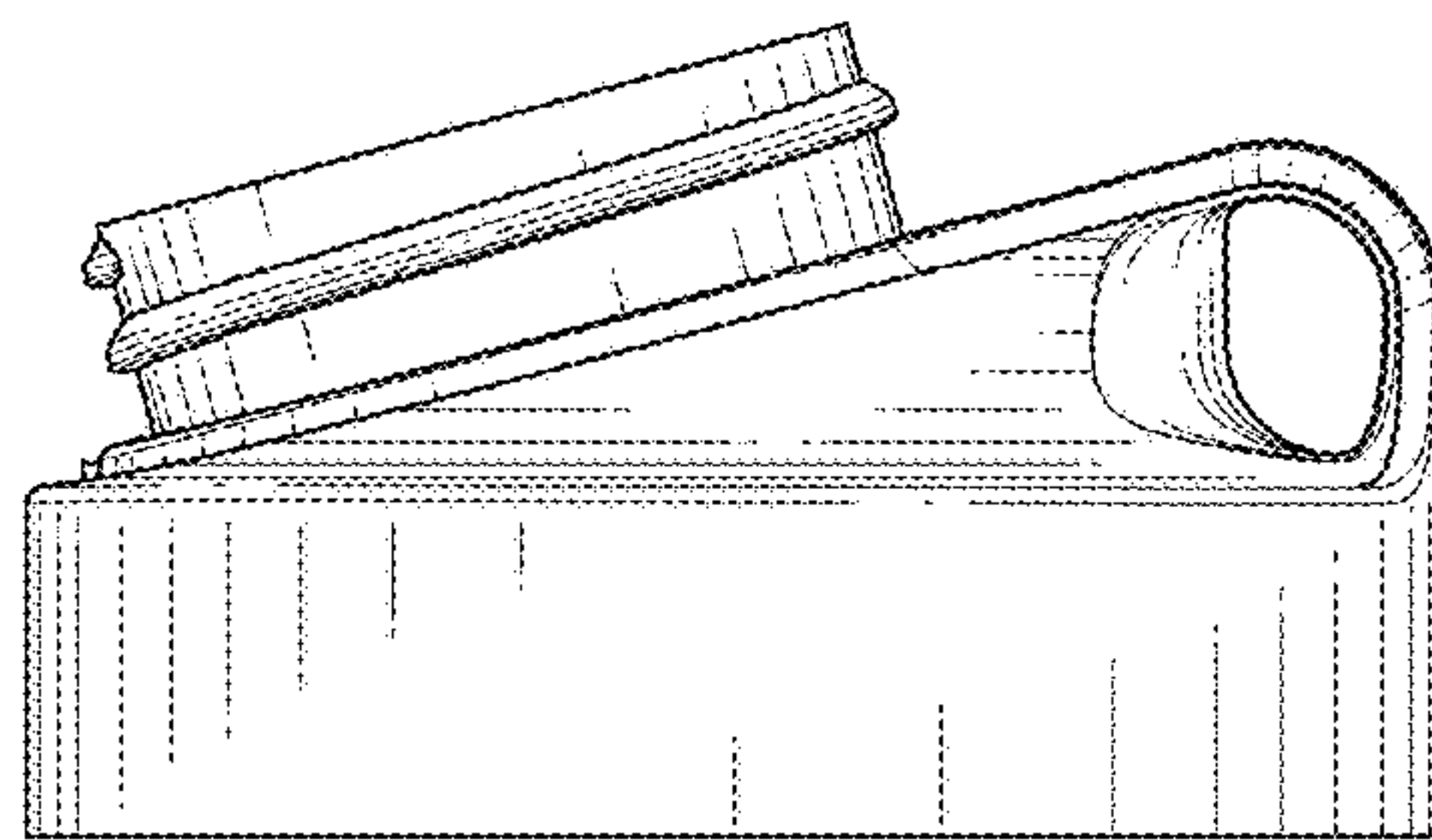


FIG. 4

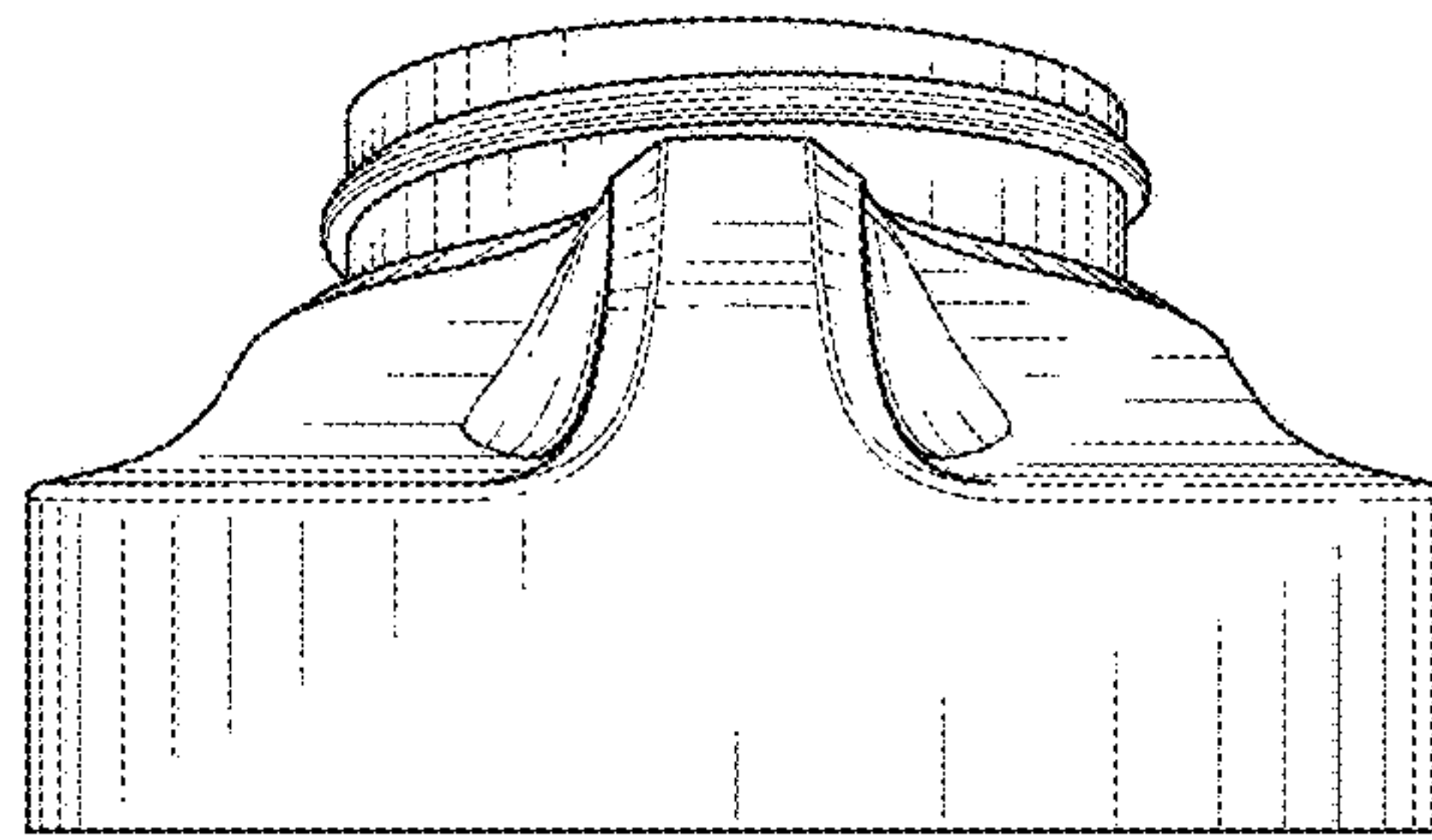


FIG. 5

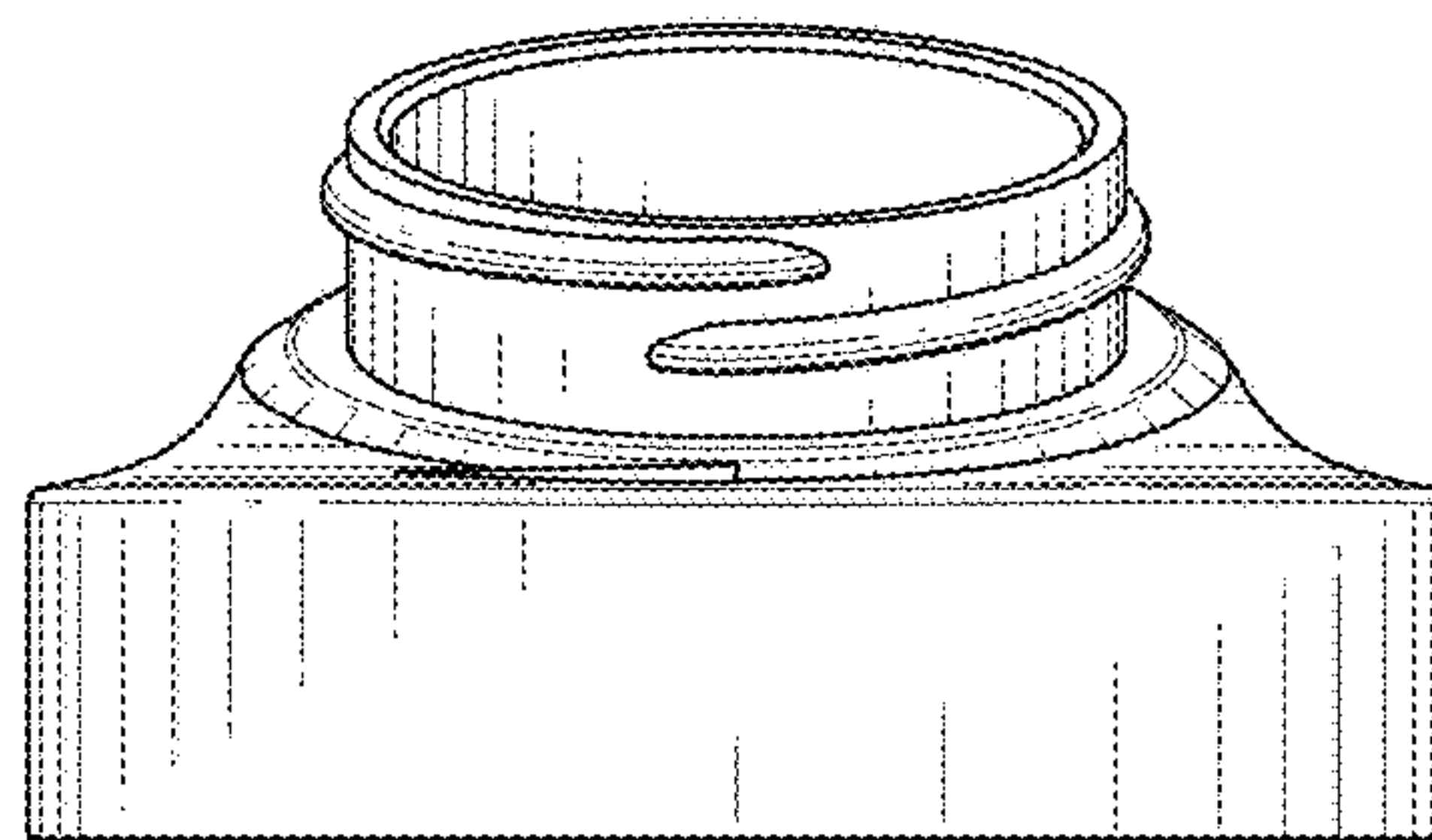


FIG. 6

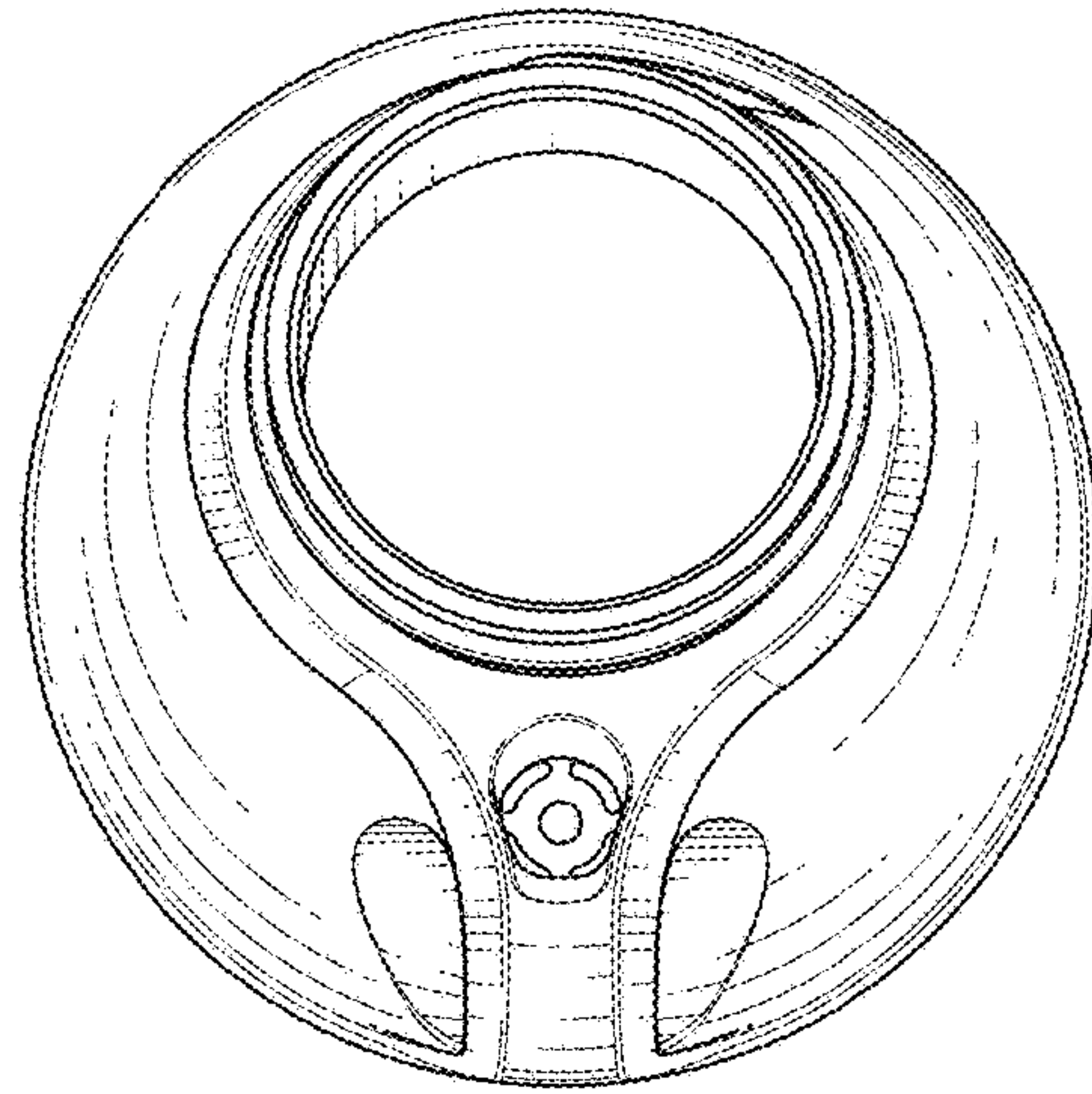


FIG. 7

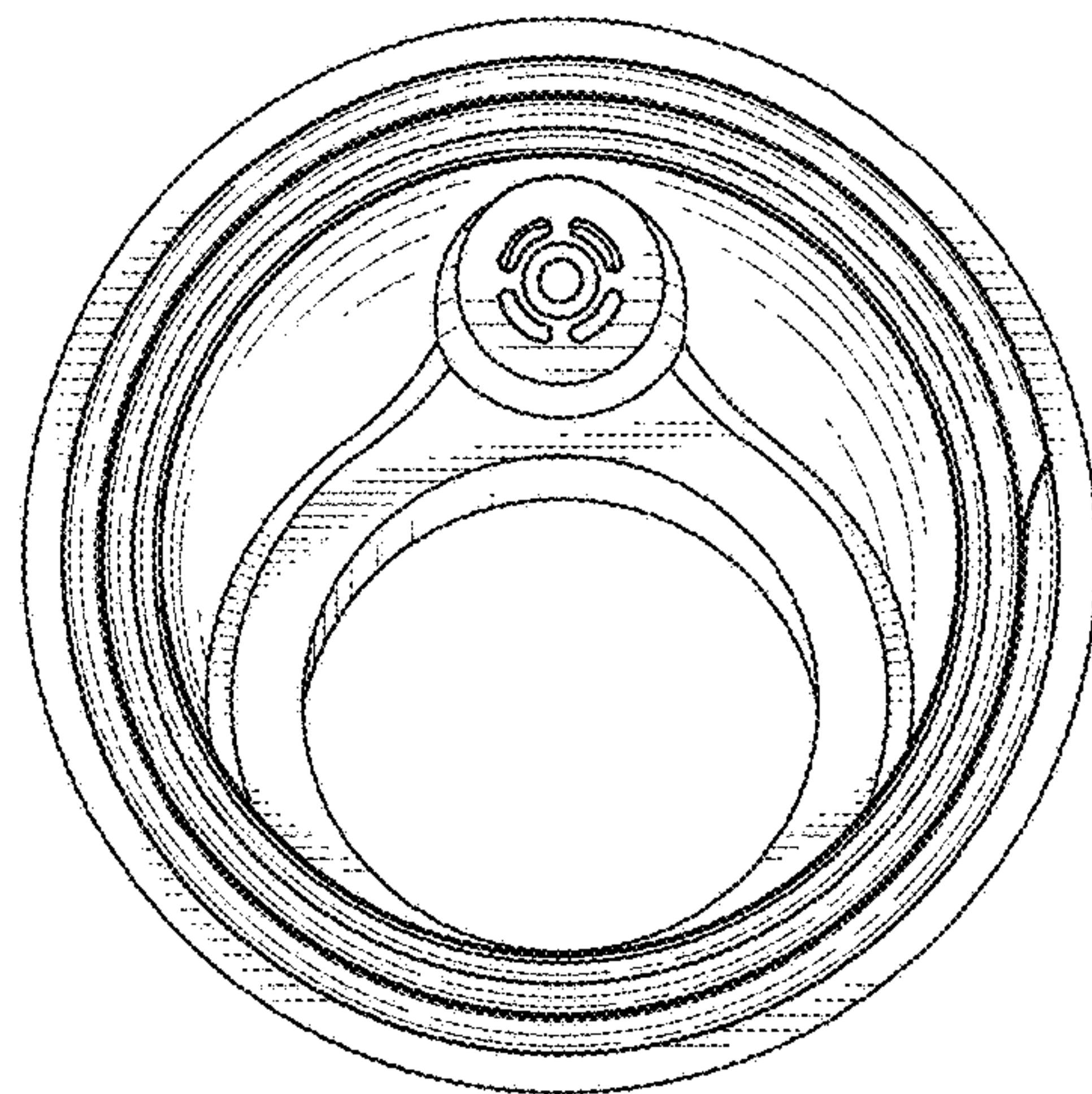


FIG. 8