



US00D855388S

(12) **United States Design Patent**
Potter et al.

(10) **Patent No.: US D855,388 S**

(45) **Date of Patent: ** Aug. 6, 2019**

(54) **CONTAINER LID**

D804,903 S * 12/2017 Mason D7/510
D811,162 S * 2/2018 Rane D7/396.2
D812,970 S * 3/2018 Rane D7/396.2

(71) Applicant: **THE DECOR CORPORATION PTY LTD**, Scoresby VIC (AU)

(72) Inventors: **Matthew Potter**, Scoresby (AU);
George Kotsiopoulos, Scoresby (AU);
Toby Hartley, Scoresby (AU)

(73) Assignee: **The Decor Corporation Ltd Pty**,
Scoresby VIC (AU)

(**) Term: **15 Years**

(21) Appl. No.: **29/609,353**

(22) Filed: **Jun. 29, 2017**

(30) **Foreign Application Priority Data**

Feb. 10, 2017 (AU) 201710813

(51) **LOC (12) Cl.** **07-99**

(52) **U.S. Cl.**
USPC **D7/392; D7/392.1**

(58) **Field of Classification Search**
USPC D9/424, 430, 452, 453, 454, 434, 435,
D9/443, 447, 449, 780; D7/391, 392,
D7/392.1, 510, 511, 538, 540, 542, 543,
D7/544, 545, 629, 354, 360, 396.1, 602,
D7/705
CPC ... A47G 19/2205; A47G 19/2222; A45F 3/16;
A45F 3/20; B67D 7/06; B67D 1/0004;
B65D 25/14; B65D 47/065; B65D
47/066; B65D 2543/00101; B65D
2543/00027

See application file for complete search history.

(56) **References Cited**

U.S. PATENT DOCUMENTS

D656,360 S * 3/2012 Miller D7/396.2
D682,034 S * 5/2013 El-Saden D7/510
D688,093 S * 8/2013 Roth D7/392.1
D729,569 S * 5/2015 Herbst D7/392

OTHER PUBLICATIONS

Decore Webiste, Zen Glass Straw Bottle with Silicone, Ealiest publication date found on Wayback Machine Internet Archive Apr. 12, 2018, [Site Visited May 22, 2018], Available on the Internet URL <https://www.decor.com.au/product/decorzzen-glass-straw-bottle-w-silicone-590ml/>.*

* cited by examiner

Primary Examiner — Karen S Acker

Assistant Examiner — Steven B Reinholdt, Jr.

(74) *Attorney, Agent, or Firm* — Kilpatrick Townsend & Stockton LLP

(57) **CLAIM**

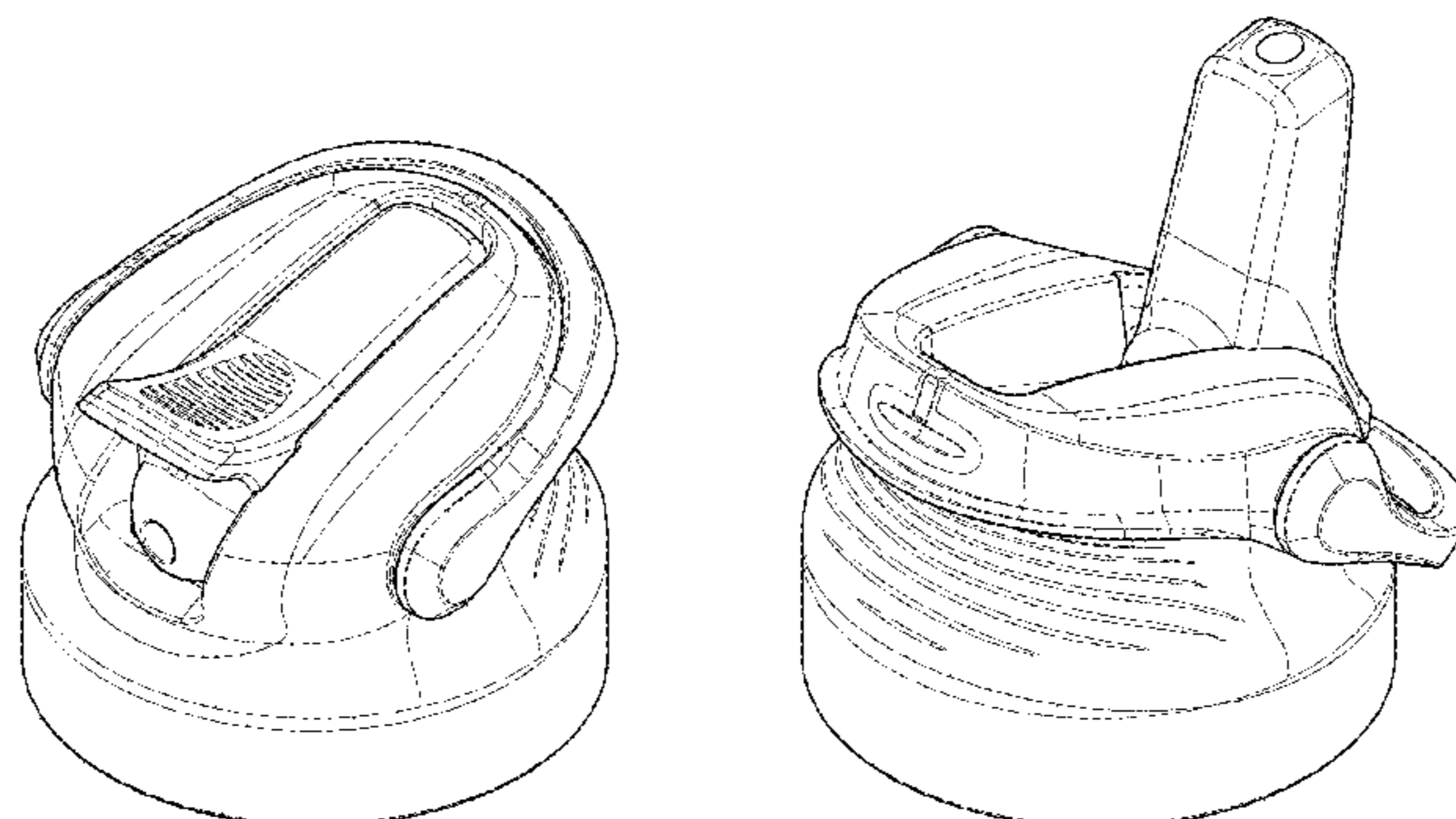
The ornamental design for a container lid, as shown and described.

DESCRIPTION

FIG. 1 is a top, front perspective view of a container lid showing our new design in a closed configuration; FIG. 2 is a bottom, rear perspective view thereof; FIG. 3 is a front elevational view thereof; FIG. 4 is a rear elevational view thereof; FIG. 5 is a top plan view thereof; FIG. 6 is a bottom plan view thereof; FIG. 7 is a right side elevational view thereof; FIG. 8 is a left side elevational view thereof; FIG. 9 is a top, front perspective view of the container lid shown in FIG. 1 in an open configuration; and, FIG. 10 is a top, rear perspective view of the container thereof.

The broken lines depict portions of the container lid that form no part of the claimed design. Shading lines shown in

(Continued)



the drawings represent an approximate three-dimensional contour of the design, and are not intended to indicate surface decoration.

1 Claim, 10 Drawing Sheets

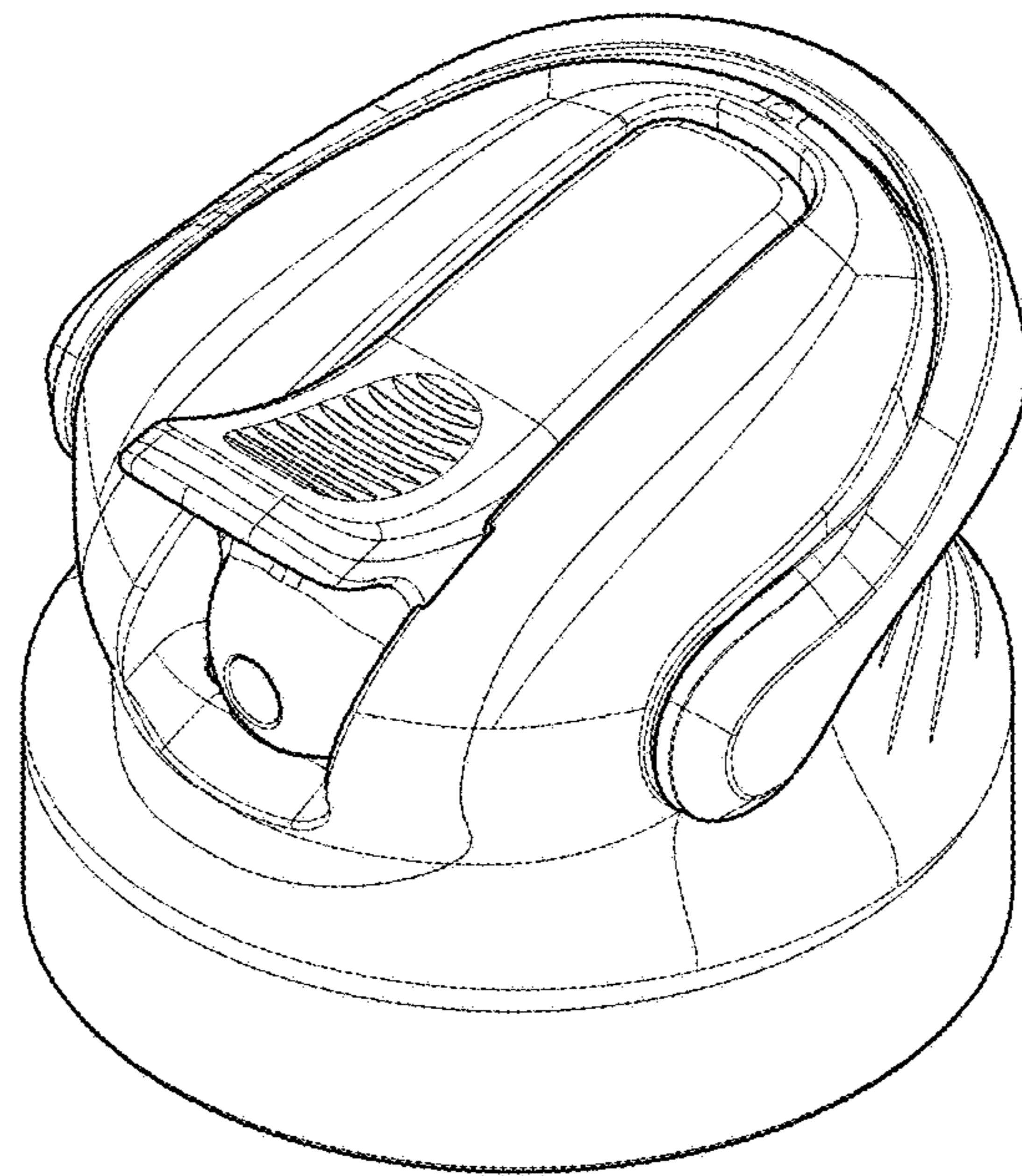


Figure 1

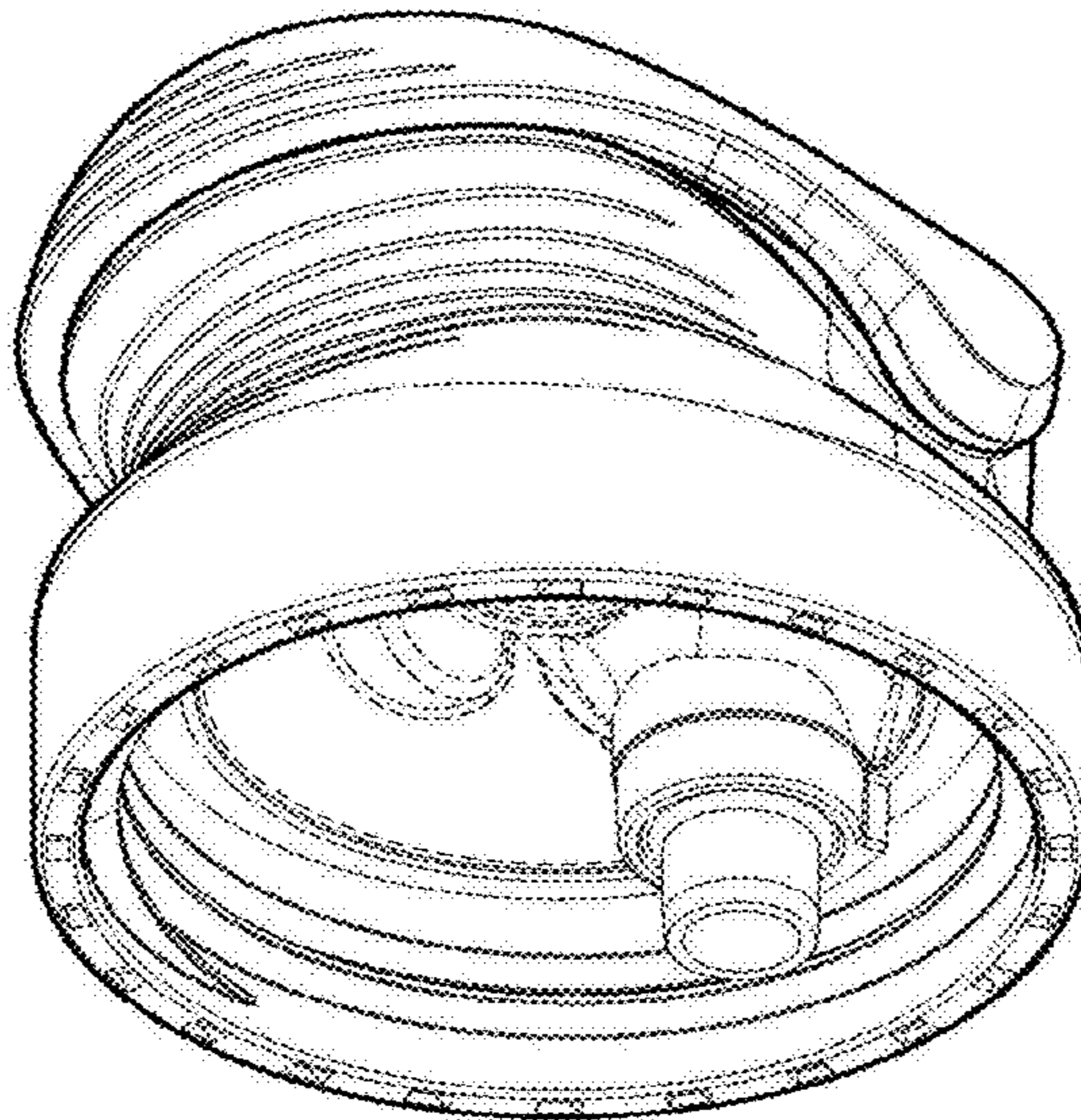


Figure 2

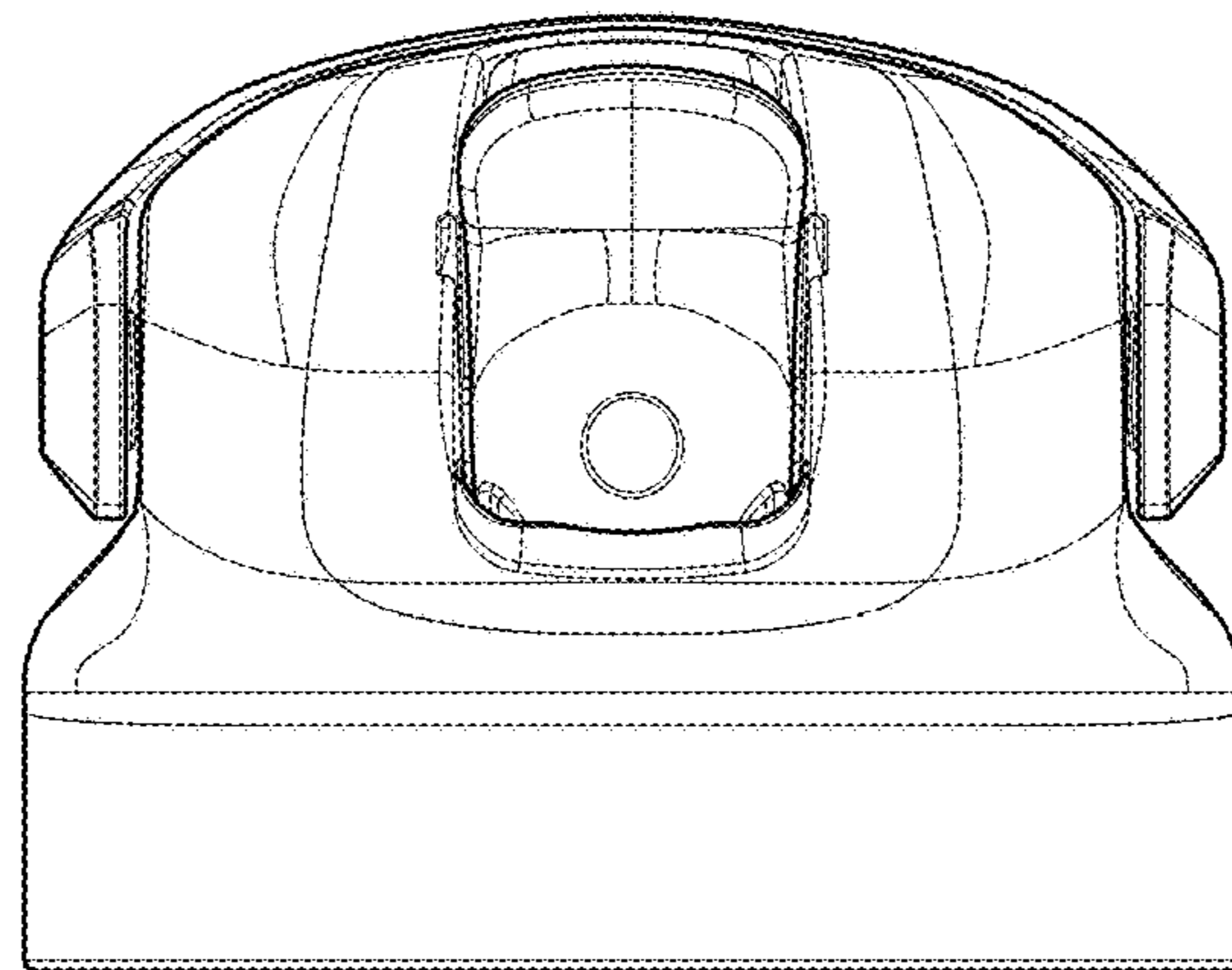


Figure 3

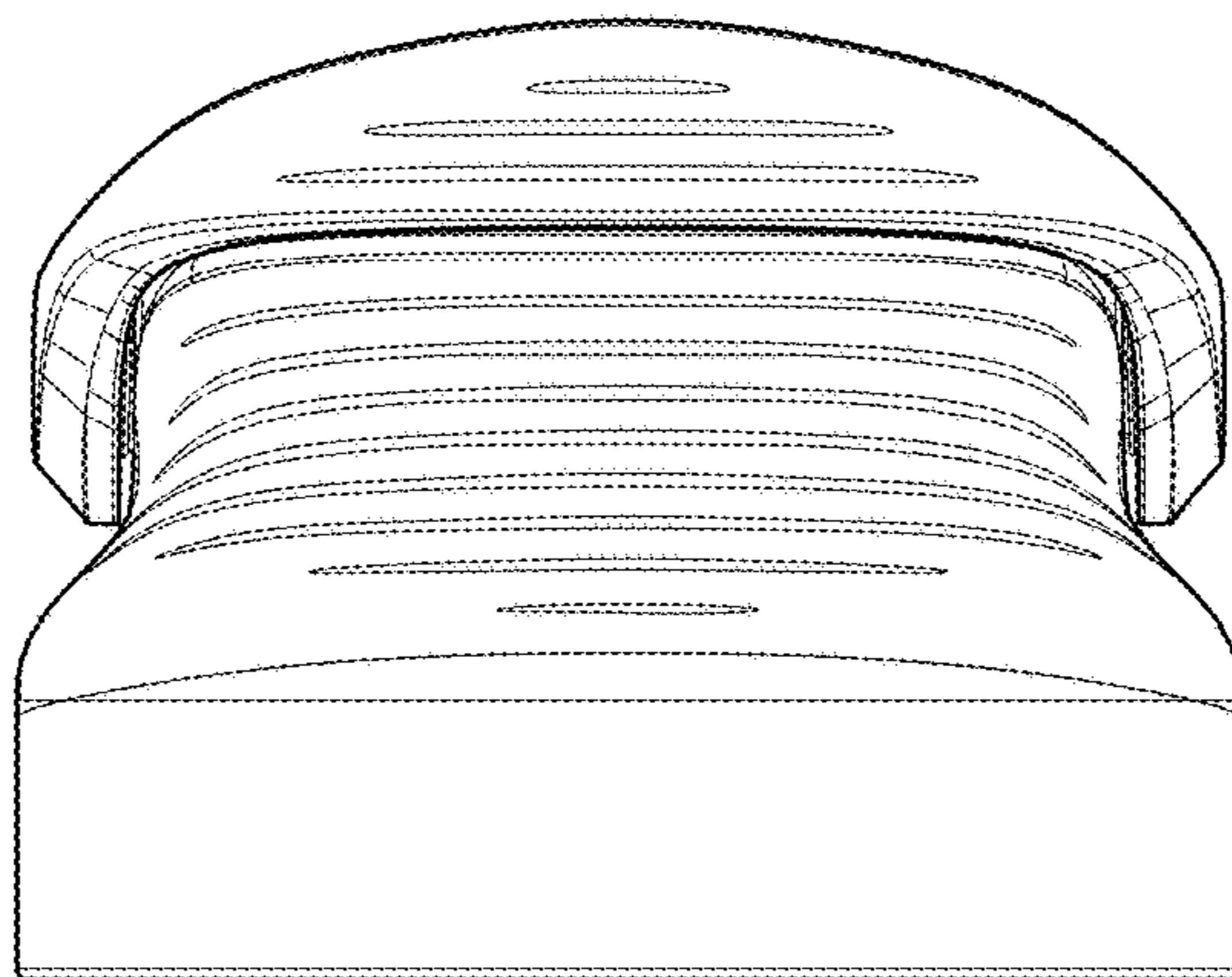


Figure 4

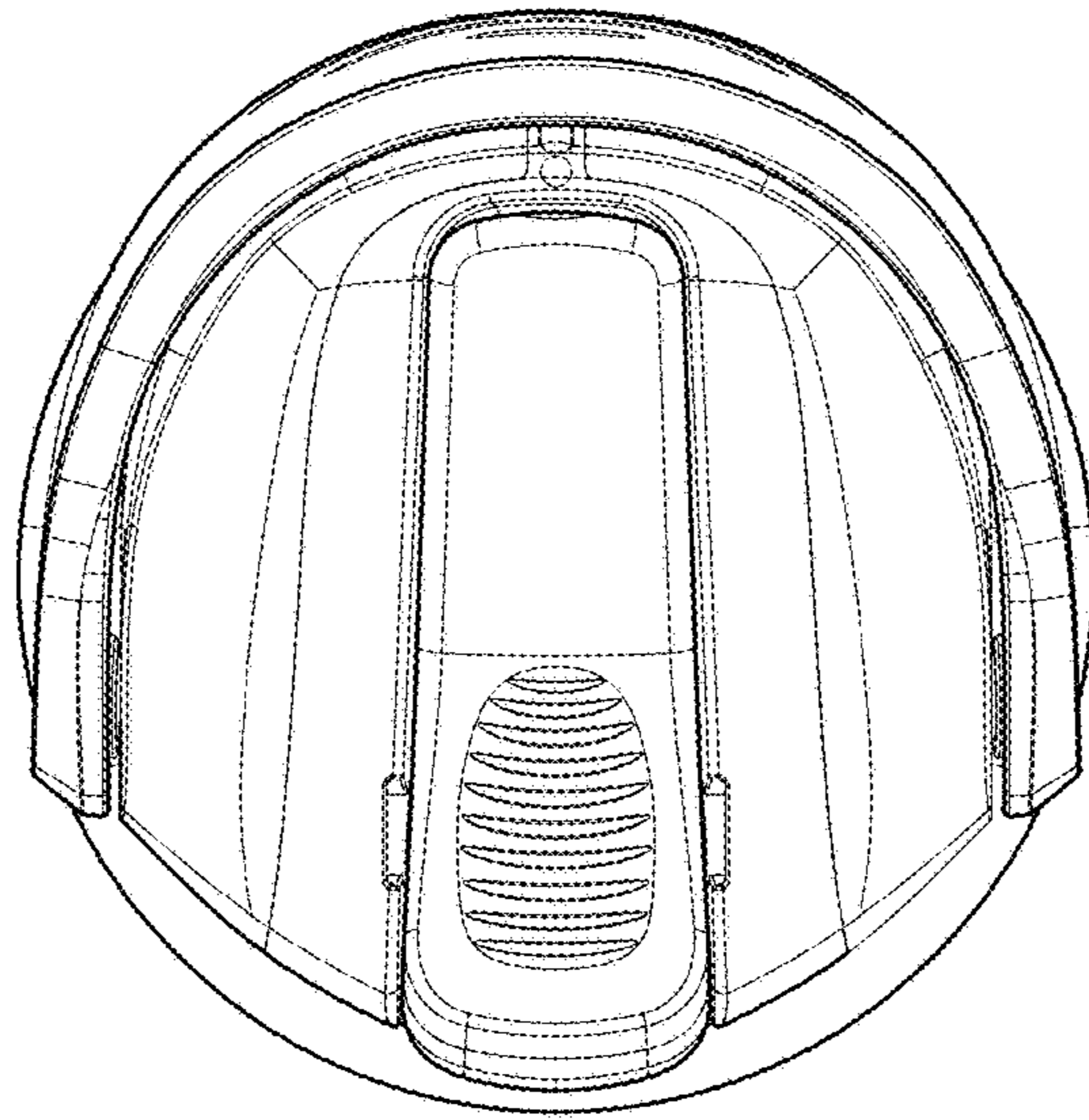


Figure 5

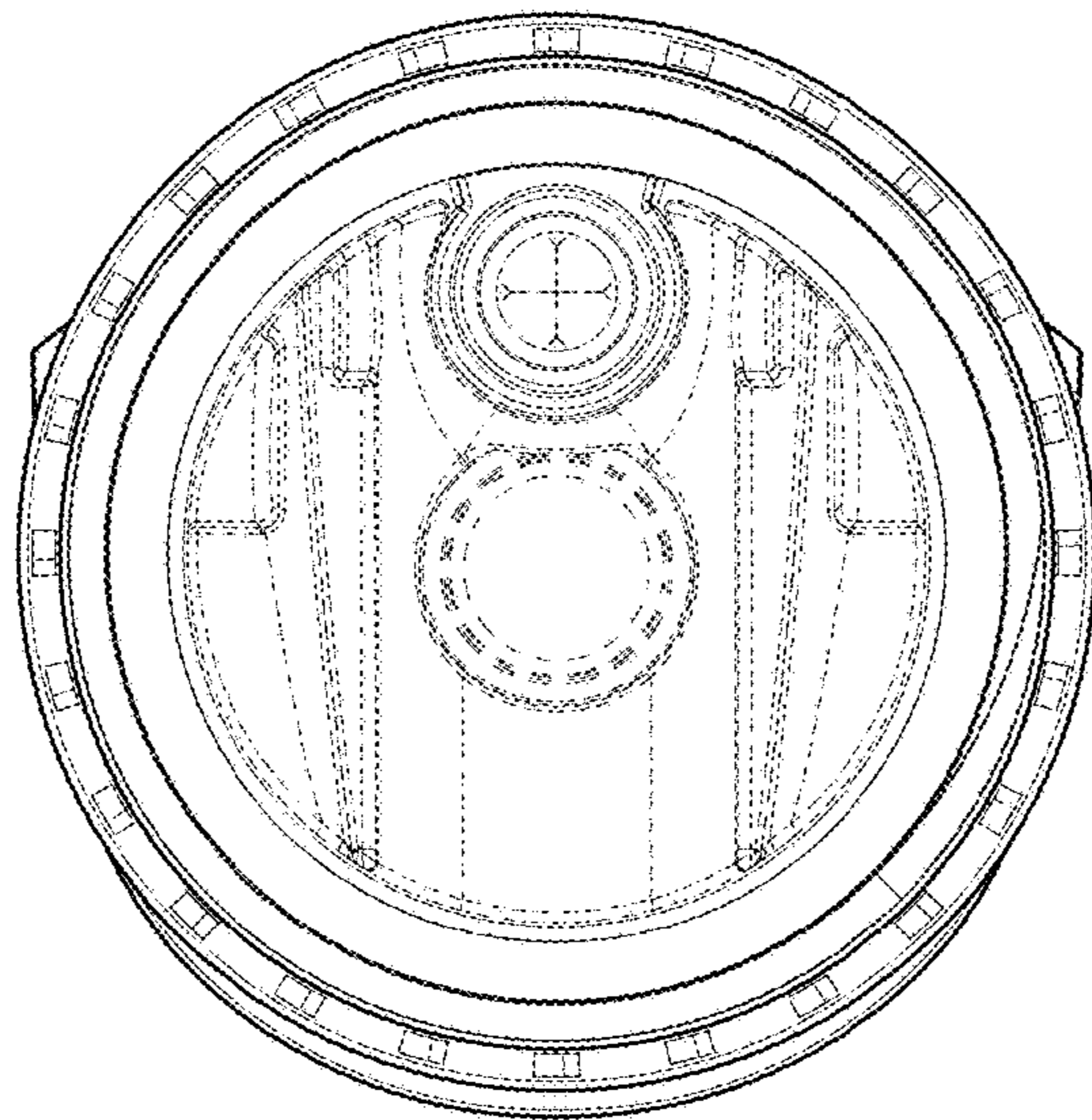


Figure 6

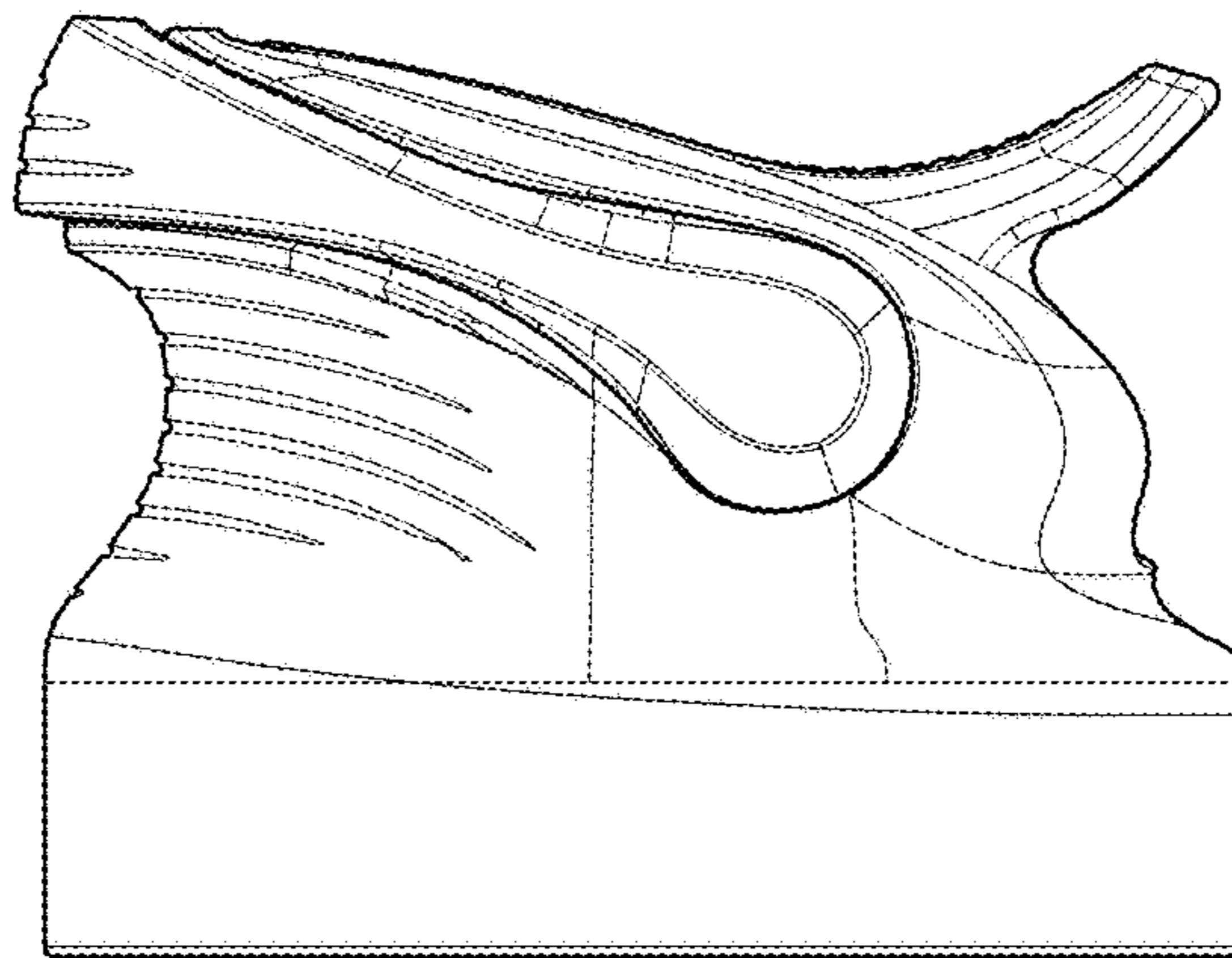


Figure 7

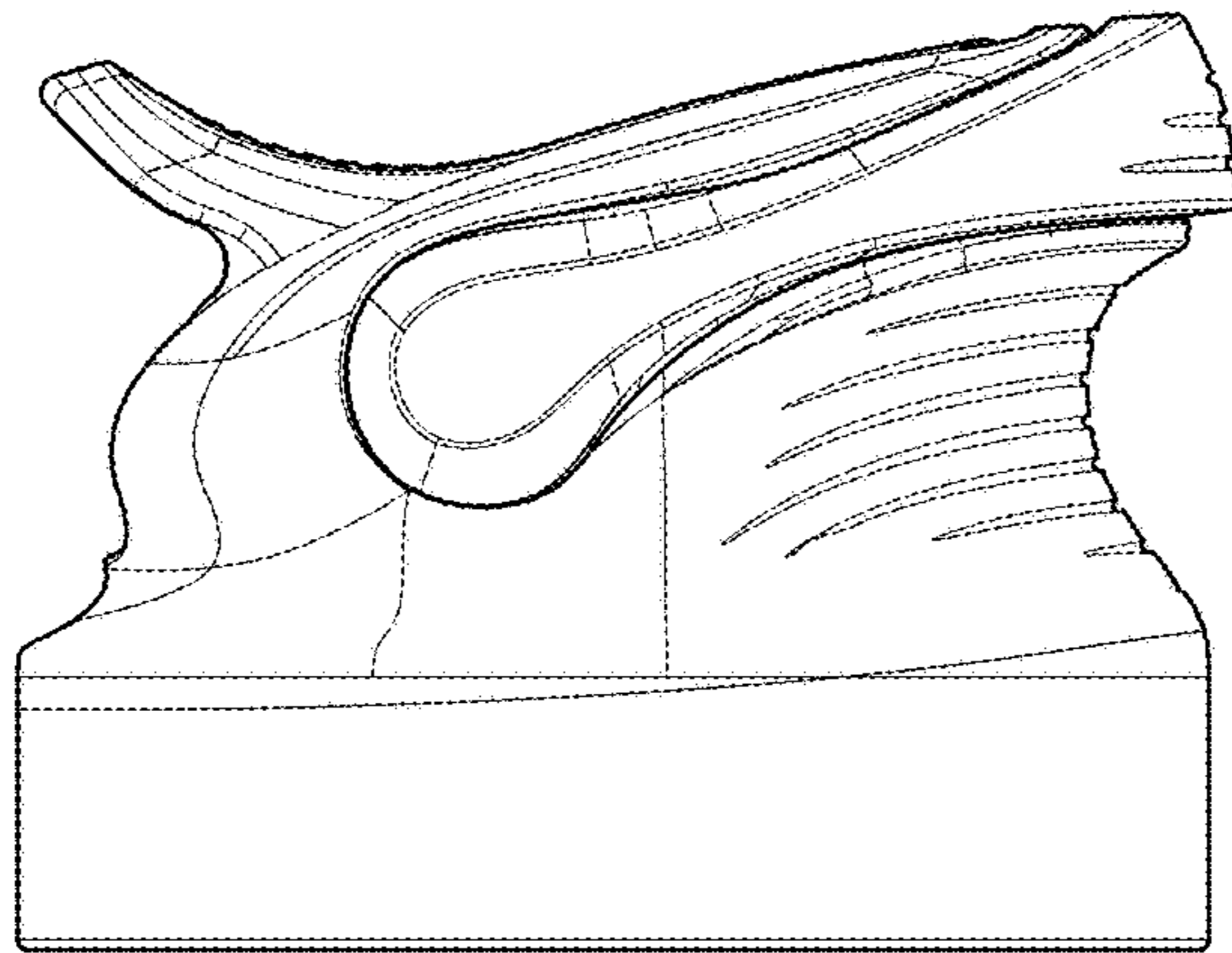


Figure 8

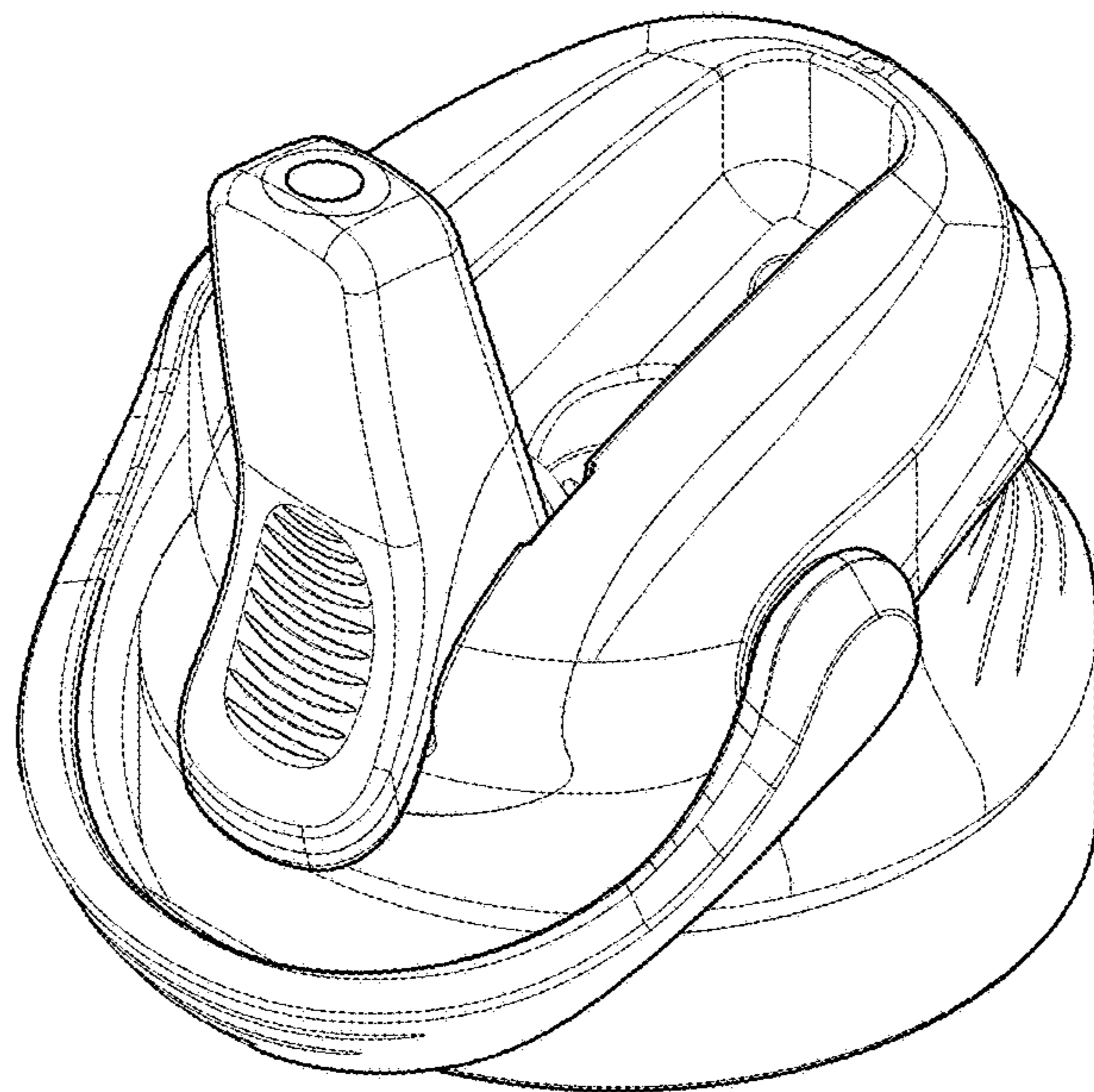


Figure 9

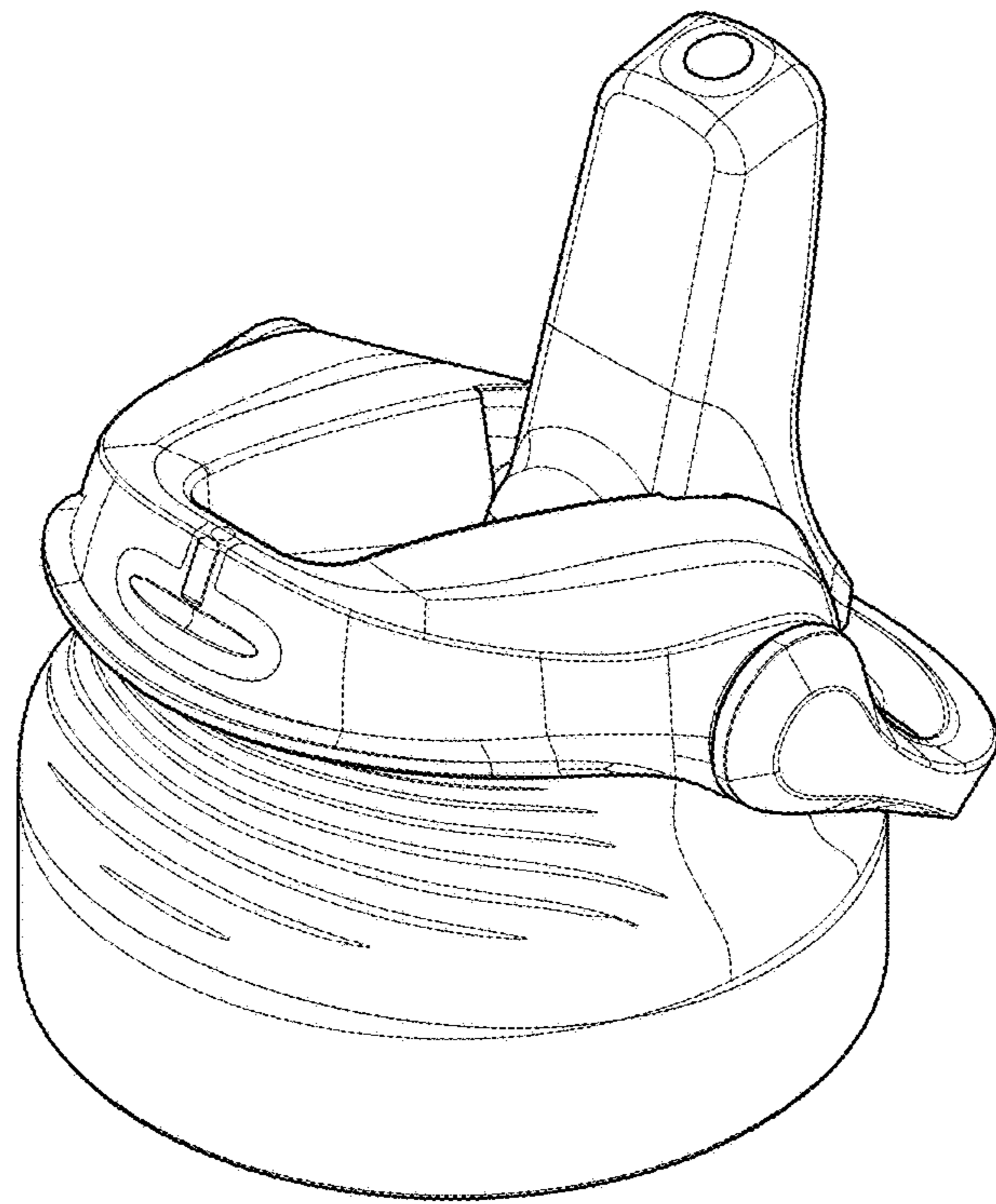


Figure 10