



US00D855387S

(12) **United States Design Patent**
Wang et al.

(10) **Patent No.:** **US D855,387 S**

(45) **Date of Patent:** **** Aug. 6, 2019**

- (54) **COVER FOR FOOD TRAY**
- (71) Applicant: **YINDU KITCHEN EQUIPMENT CO., LTD**, Zhejiang (CN)
- (72) Inventors: **Chunyao Wang**, Zhejiang (CN);
Zhengyu Li, Zhejiang (CN)
- (**) Term: **15 Years**
- (21) Appl. No.: **29/626,706**
- (22) Filed: **Nov. 20, 2017**
- (51) **LOC (12) Cl.** **07-02**
- (52) **U.S. Cl.**
USPC **D7/391; D7/354**
- (58) **Field of Classification Search**
USPC D7/354, 391, 392, 392.1, 393, 397, 505,
D7/538, 542, 553.5, 629; D9/414,
D9/424-432, 435, 446, 447, 449,
D9/451-453
CPC A47J 36/027; A47J 36/06; A47J 37/10;
A47J 37/101; B65D 21/0209; B65D
43/00; B65D 43/02; B65D 43/022; B65D
43/161; B65D 43/162; B65D 45/00;
B65D 45/16; B65D 45/18; B65D 51/16;
B65D 51/1683; B65D 51/1688; B65D
51/1694; B65F 1/1615
See application file for complete search history.

- D314,307 S * 2/1991 Bush D7/356
- D428,310 S * 7/2000 Zettle D7/629
- D434,265 S * 11/2000 Tatlow D7/323
- D547,126 S * 7/2007 Levine D7/549
- D583,615 S * 12/2008 Simon D7/354
- D608,593 S * 1/2010 Follansbee D7/387
- D633,339 S * 3/2011 Hart D7/538
- D642,861 S * 8/2011 Samartgis D7/392.1
- D744,776 S * 12/2015 Seyers D7/354

* cited by examiner

Primary Examiner — Ricky Pham

(74) *Attorney, Agent, or Firm* — Prakash Nama; Global IP Services, PLLC

(57) **CLAIM**

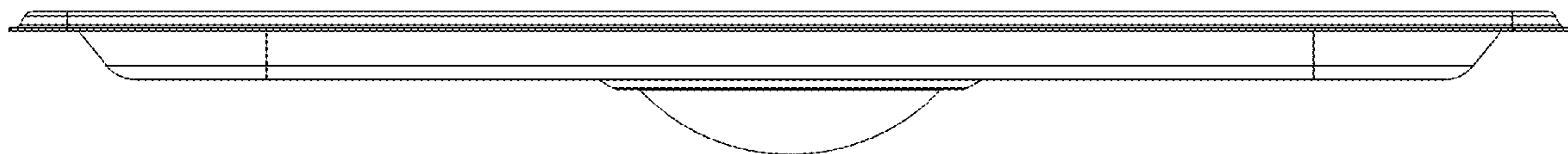
The ornamental design for a cover for food tray, as shown and described.

DESCRIPTION

FIG. 1 is a front elevational view of a cover for food tray showing our new design;
FIG. 2 is a rear elevational view thereof;
FIG. 3 is a left side view thereof;
FIG. 4 is a right side view thereof;
FIG. 5 is a top plan view thereof;
FIG. 6 is a bottom plan view thereof;
FIG. 7 is a top perspective view thereof; and,
FIG. 8 is a bottom perspective view thereof.

1 Claim, 3 Drawing Sheets

- (56) **References Cited**
U.S. PATENT DOCUMENTS
D224,553 S * 8/1972 Swett D7/542
D229,916 S * 1/1974 Schneider D7/542



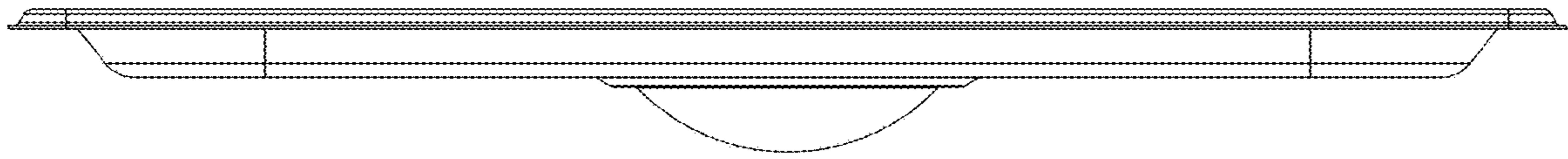


FIG. 1

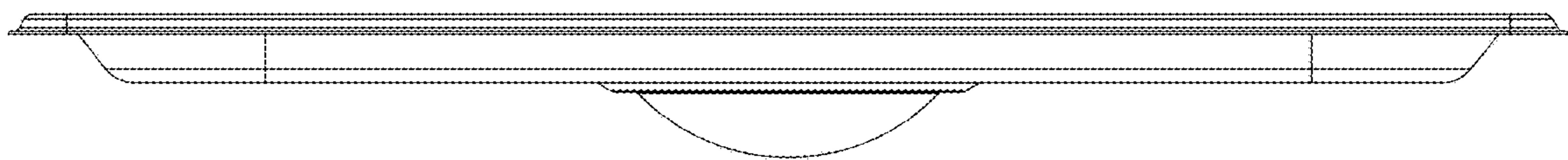


FIG. 2

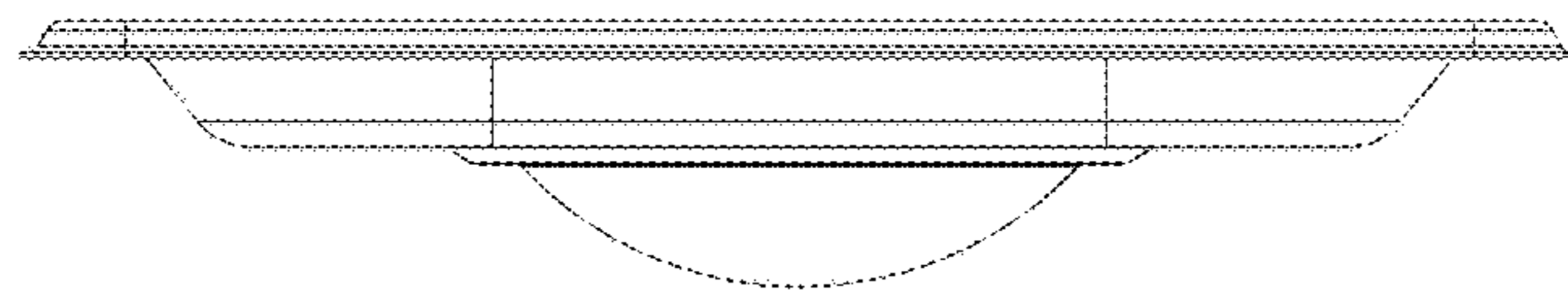


FIG. 3

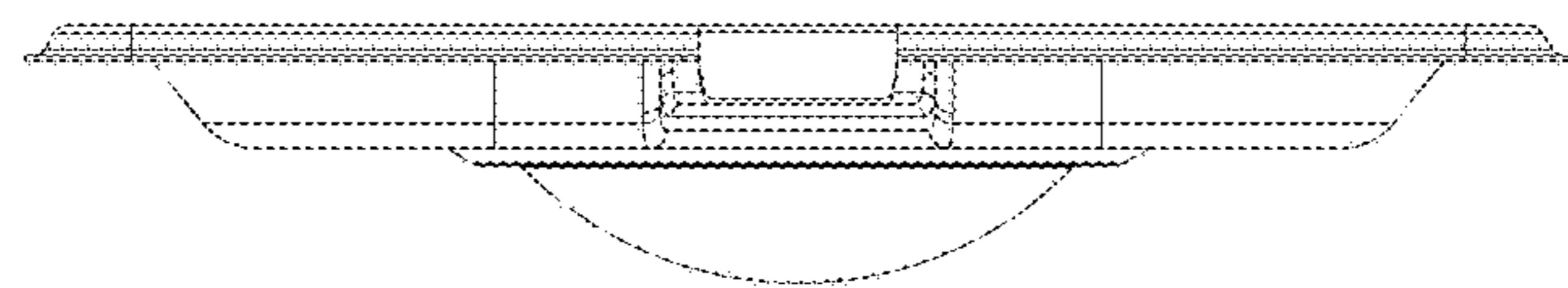


FIG. 4

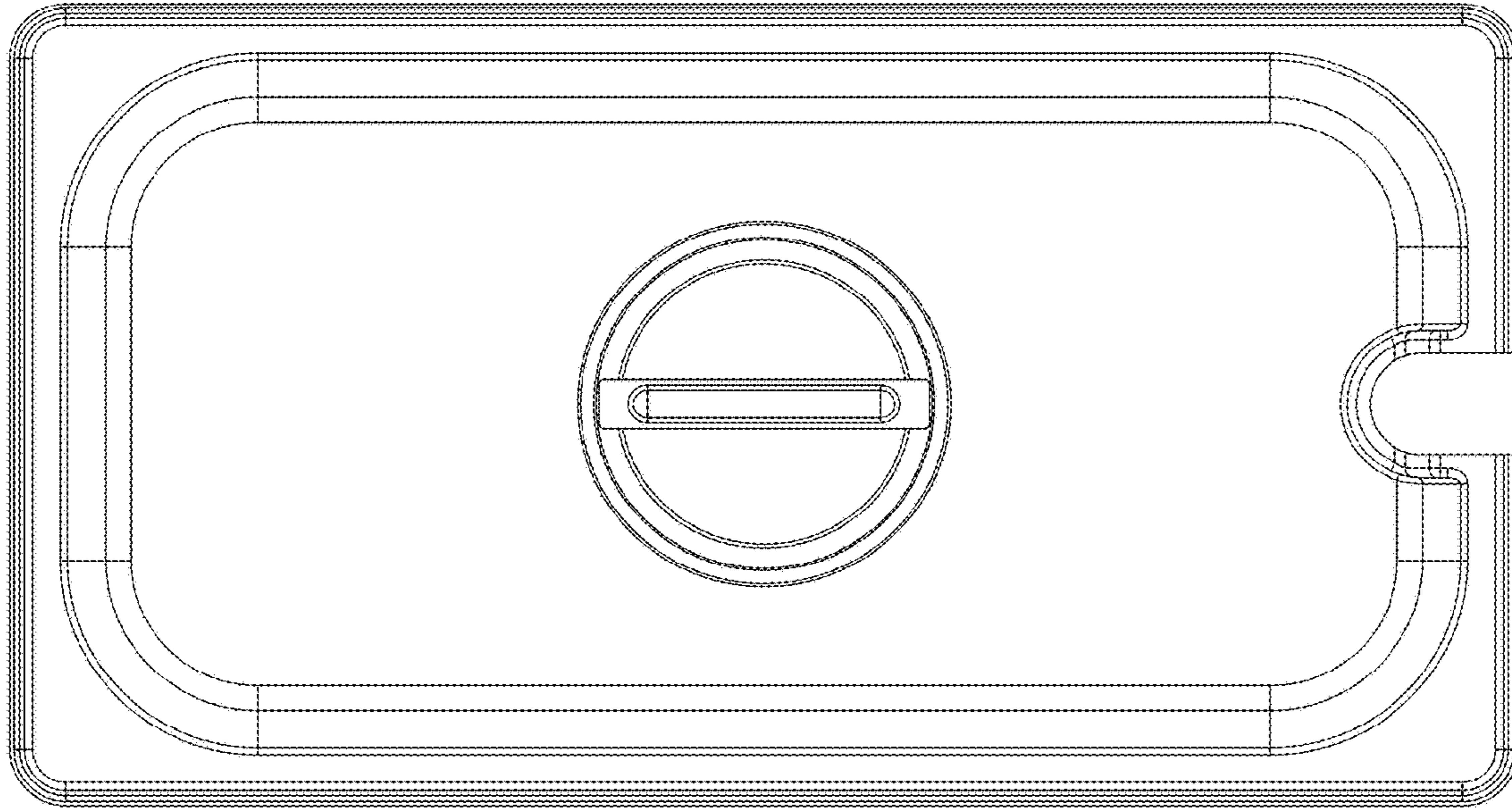


FIG. 5

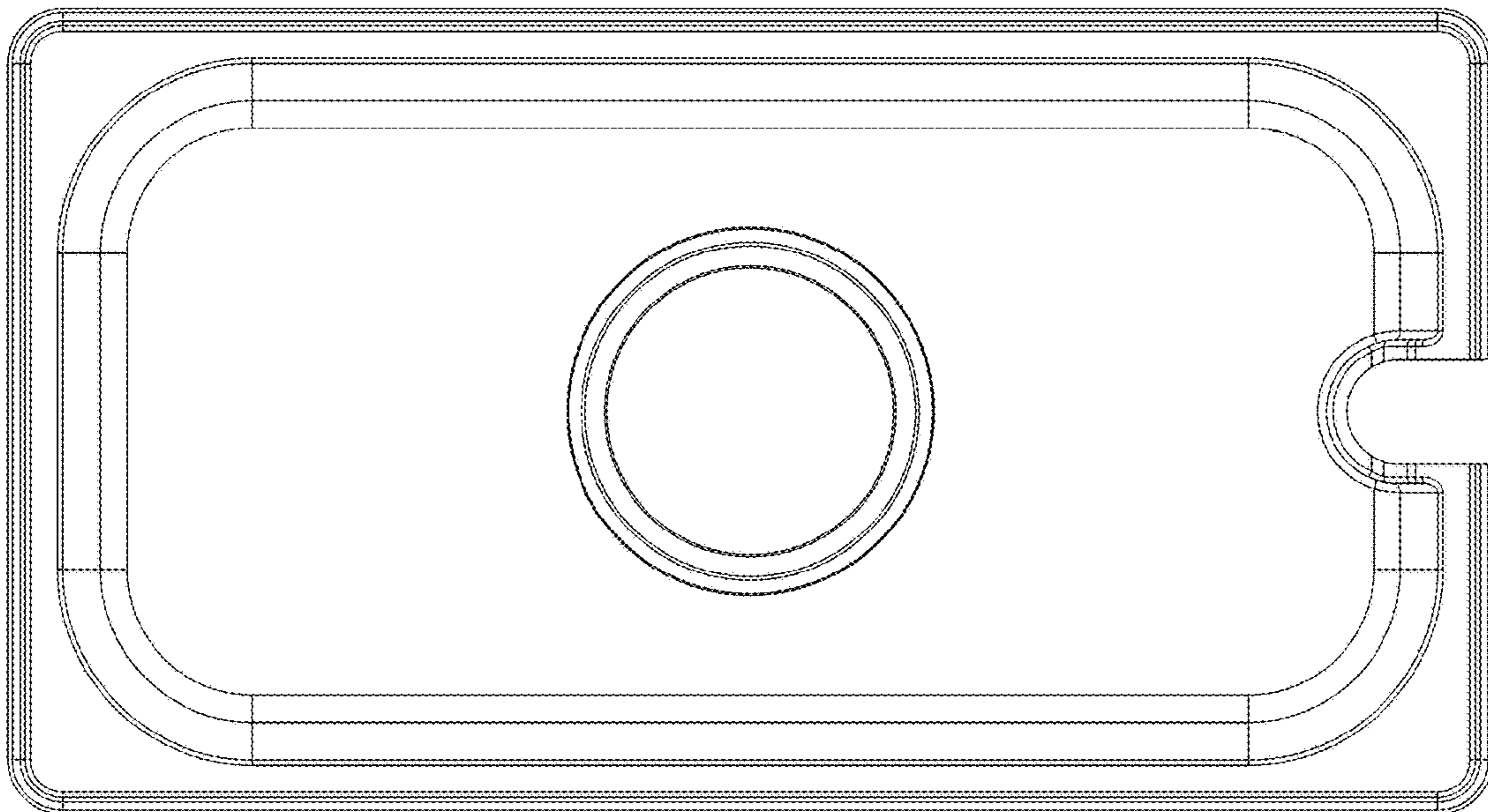


FIG. 6

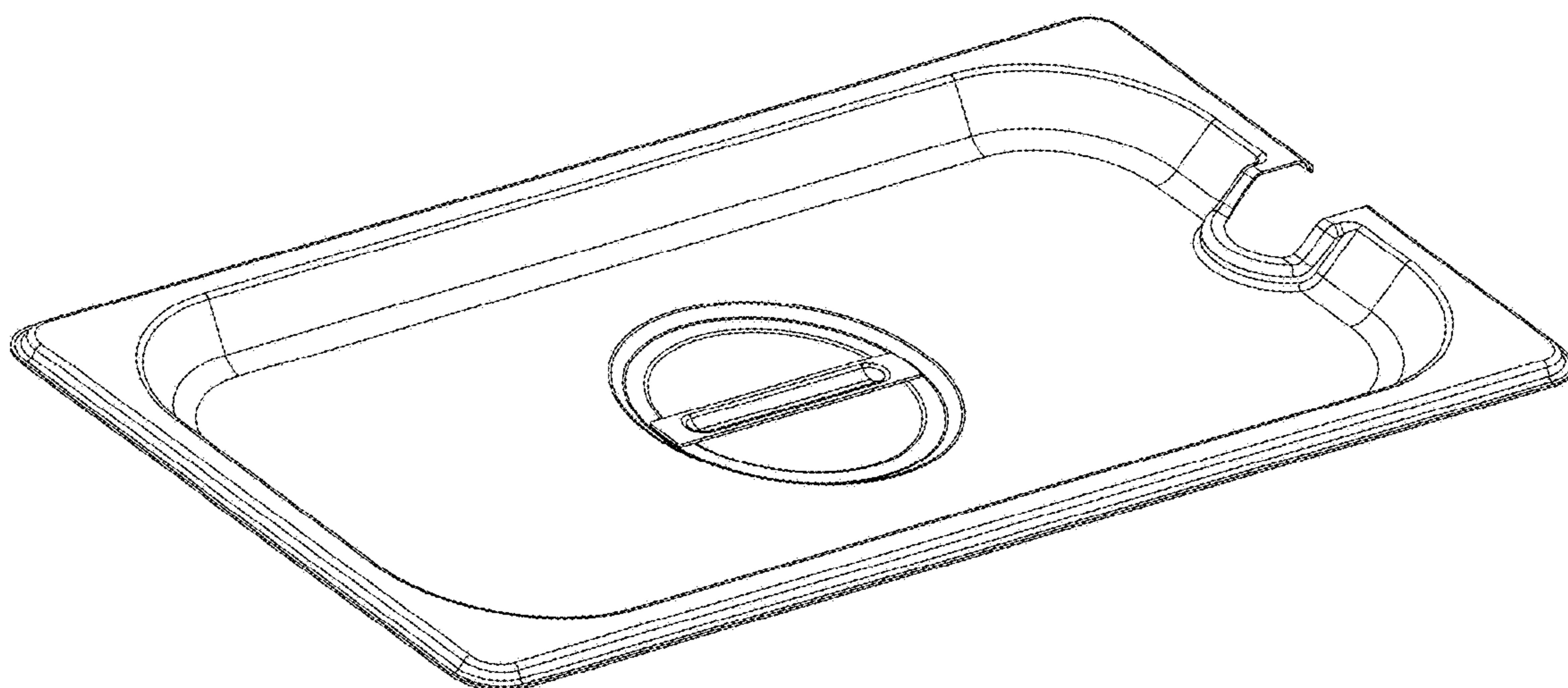


FIG. 7

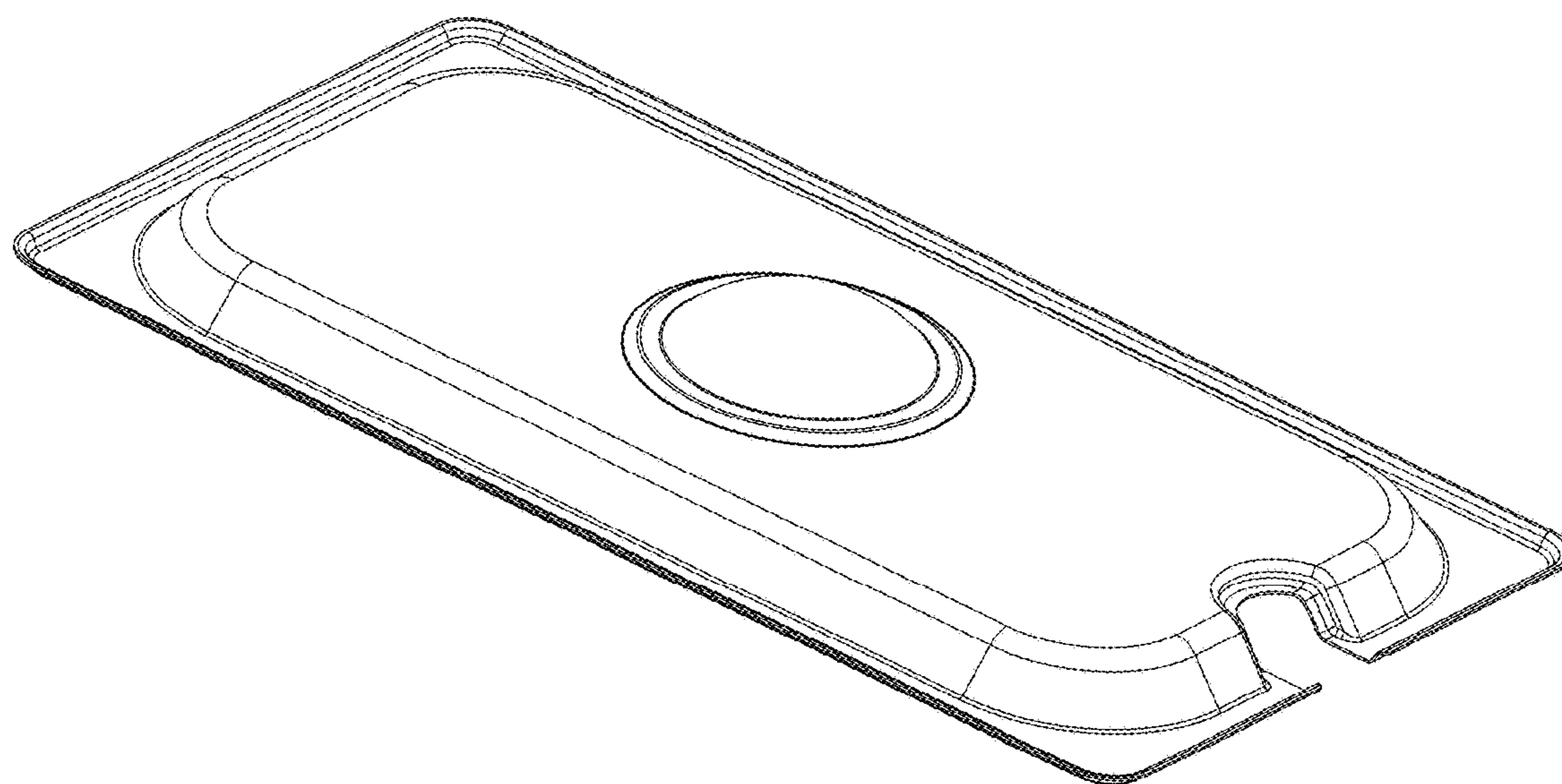


FIG. 8