



US00D855386S

(12) **United States Design Patent** (10) **Patent No.:** **US D855,386 S**
Tammen et al. (45) **Date of Patent:** **** Aug. 6, 2019**

(54) **BOTTLE CAP**
(71) Applicant: **Tali Corp.**, San Francisco, CA (US)
(72) Inventors: **William G. Tammen**, Redwood City, CA (US); **Tal Winter**, San Francisco, CA (US)
(73) Assignee: **Tali Corp.**, San Francisco, CA (US)
(**) Term: **15 Years**
(21) Appl. No.: **29/614,367**
(22) Filed: **Aug. 18, 2017**
(51) **LOC (12) Cl.** **07-02**
(52) **U.S. Cl.**
USPC **D7/391**
(58) **Field of Classification Search**
USPC ... D7/372, 376-386, 391, 392.1, 393, 396.2, D7/412-413, 510-511, 602, 608, 629, D7/665-666, 669, 679, 693-694; D9/443; D13/183
CPC A21C 1/02; A21C 1/04; A23N 1/00; A23N 1/02; A47J 43/04; A47J 43/25; A47J 43/27; A47J 43/042; A47J 43/044; A47J 43/046; A47J 43/075; A47J 43/0722; A47J 43/0727; B01F 3/00; B01F 3/0807; B01F 3/0853; B01F 13/0059; B01F 13/0064; B02C 1/08; B02C 2/04; B02C 4/42; B02C 4/142; B02C 4/143; B02C 4/423; B02C 13/1835; B28C 5/10; B28C 5/12; B28C 5/14; B28C 5/16; B65D 47/066; B65D 47/305; B65D 41/0442; G01F 23/0076; A45D 34/00
See application file for complete search history.

D672,238 S * 12/2012 Aziz A45D 34/00 D7/510
D672,609 S * 12/2012 Aziz B65D 47/305 D7/507
D703,997 S * 5/2014 Munari D7/393
D713,365 S * 9/2014 Green D13/183
D720,218 S * 12/2014 Hutson D9/443
D724,385 S * 3/2015 Hurley D7/511
D777,508 S * 1/2017 Goodwin D7/392.1
D806,468 S * 1/2018 Goodwin D7/392.1
2014/0353275 A1* 12/2014 Hung B65D 47/305 215/311
2016/0157583 A1* 6/2016 Winter A45D 34/00 215/227
2016/0318693 A1* 11/2016 Hein B65D 41/0442

* cited by examiner

Primary Examiner — Ricky Pham
(74) *Attorney, Agent, or Firm* — Loginov & Associates, PLLC; William A. Loginoc

(57) **CLAIM**

The ornamental design for a bottle cap, substantially as shown.

DESCRIPTION

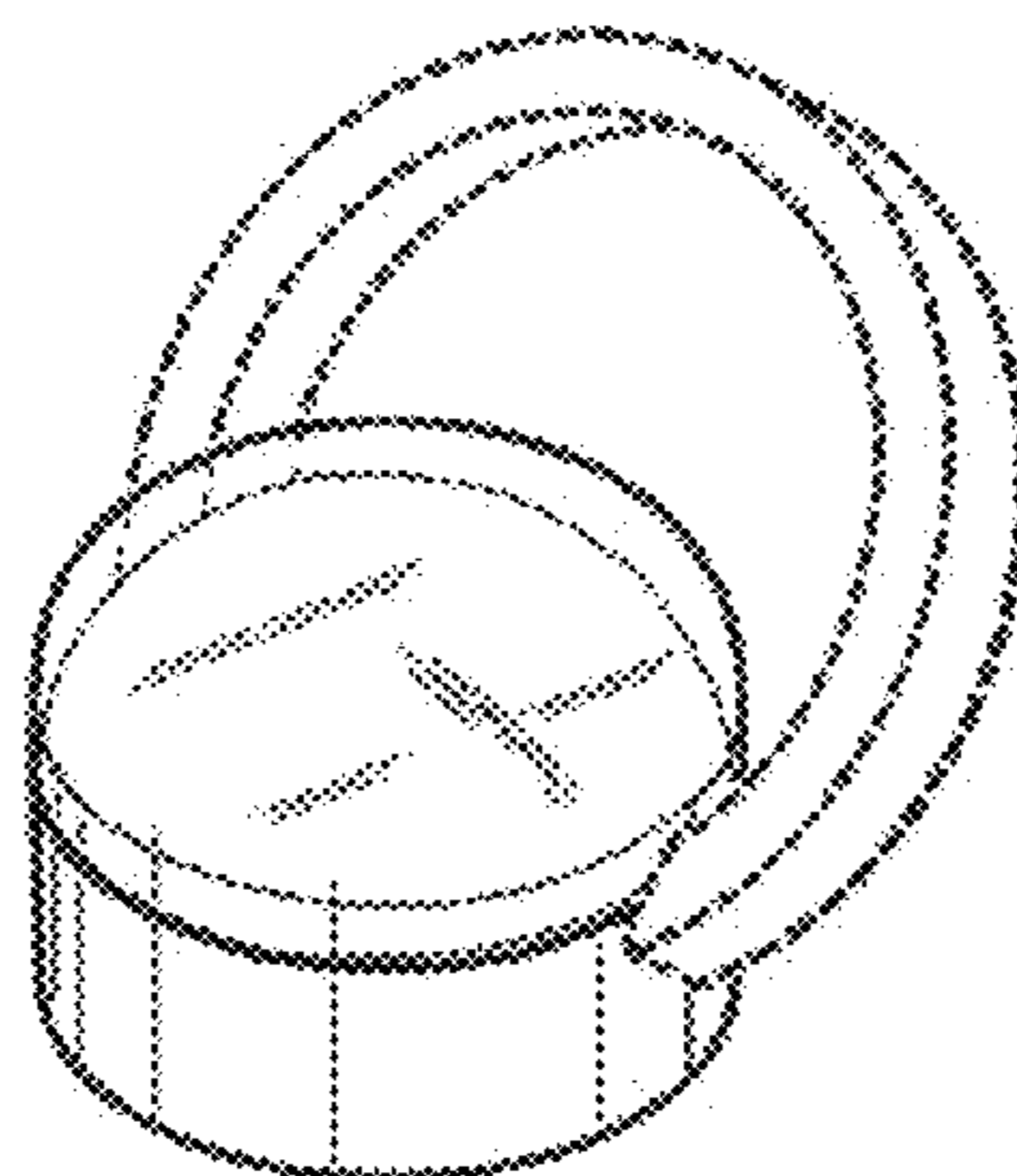
FIG. 1 is a perspective view of a bottle cap with a non-monochromatic or reflective surface beneath a transparent domed top;
FIG. 2 is a front view of the bottle cap;
FIG. 3 is a rear view of the bottle cap;
FIG. 4 is a right side view of the bottle cap;
FIG. 5 is a left side view of the bottle cap;
FIG. 6 is a top view of the bottle cap; and,
FIG. 7 is a bottom view of the bottle cap.
Unless otherwise stated above, the broken line elements in all views are for illustrative and environmental purposes only and form no part of the claimed design.

1 Claim, 2 Drawing Sheets

(56) **References Cited**

U.S. PATENT DOCUMENTS

D332,379 S * 1/1993 Murphy D7/391
D641,594 S * 7/2011 Huang B65D 41/0442
D7/608



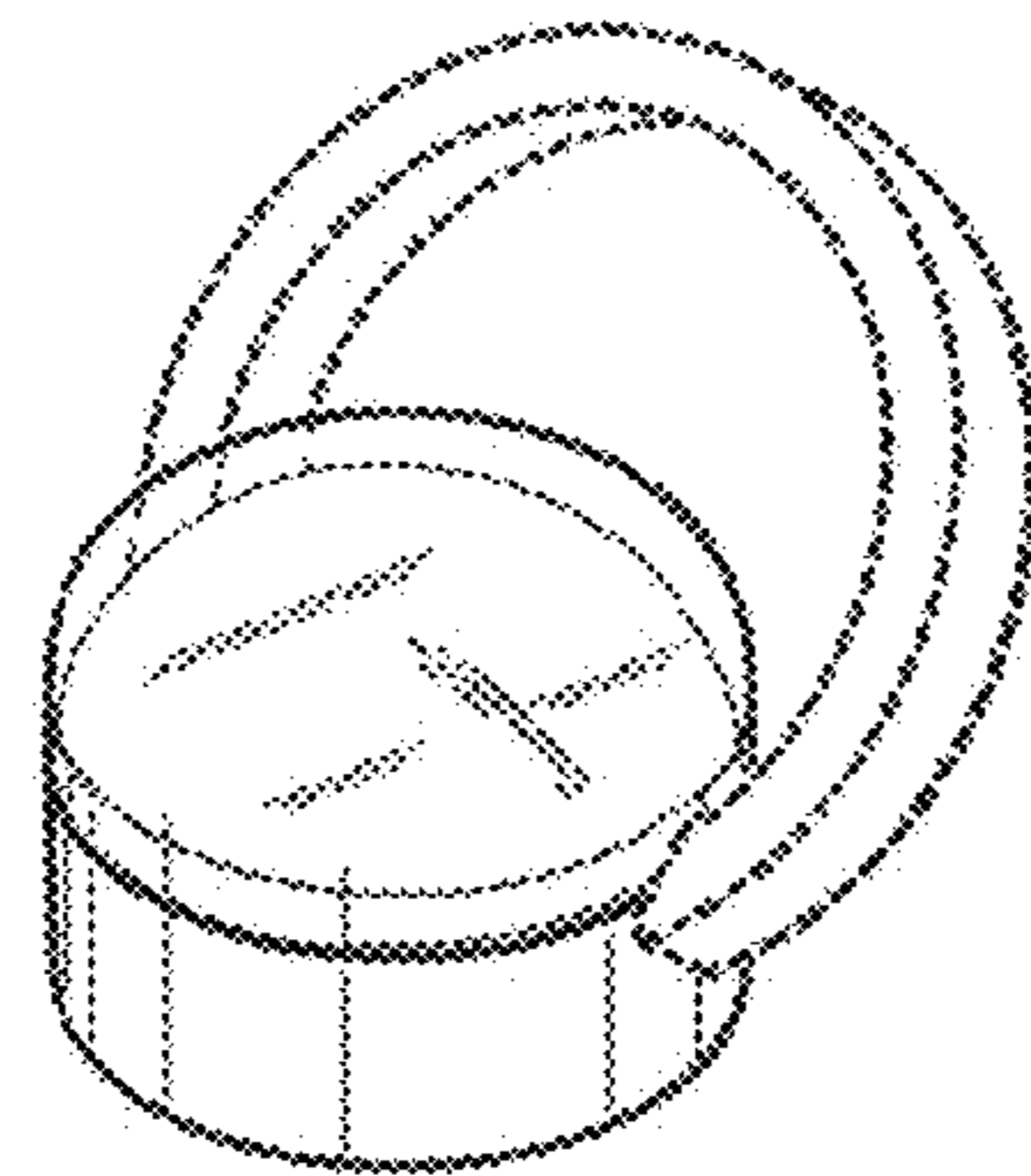


Fig. 1

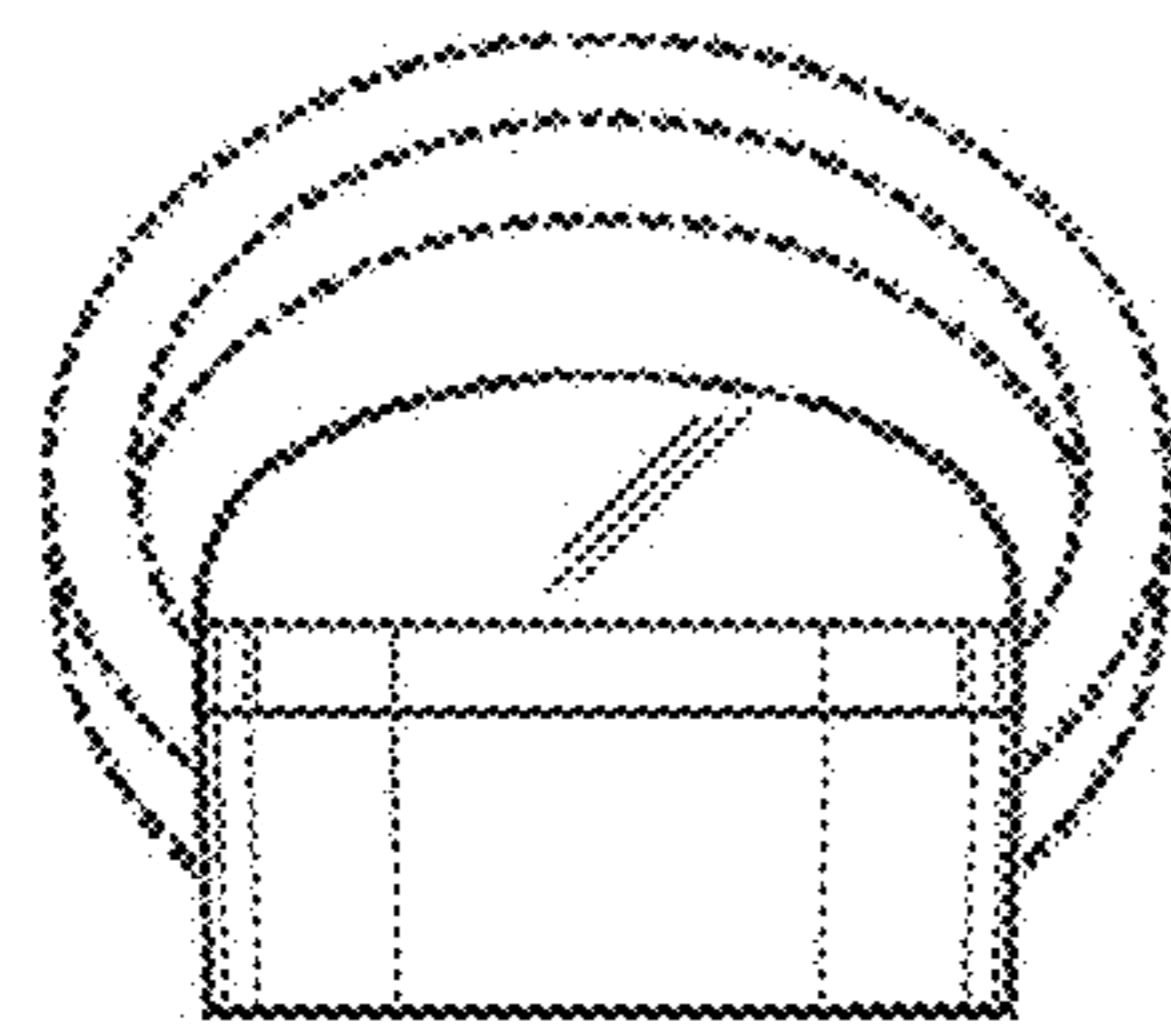


Fig. 2

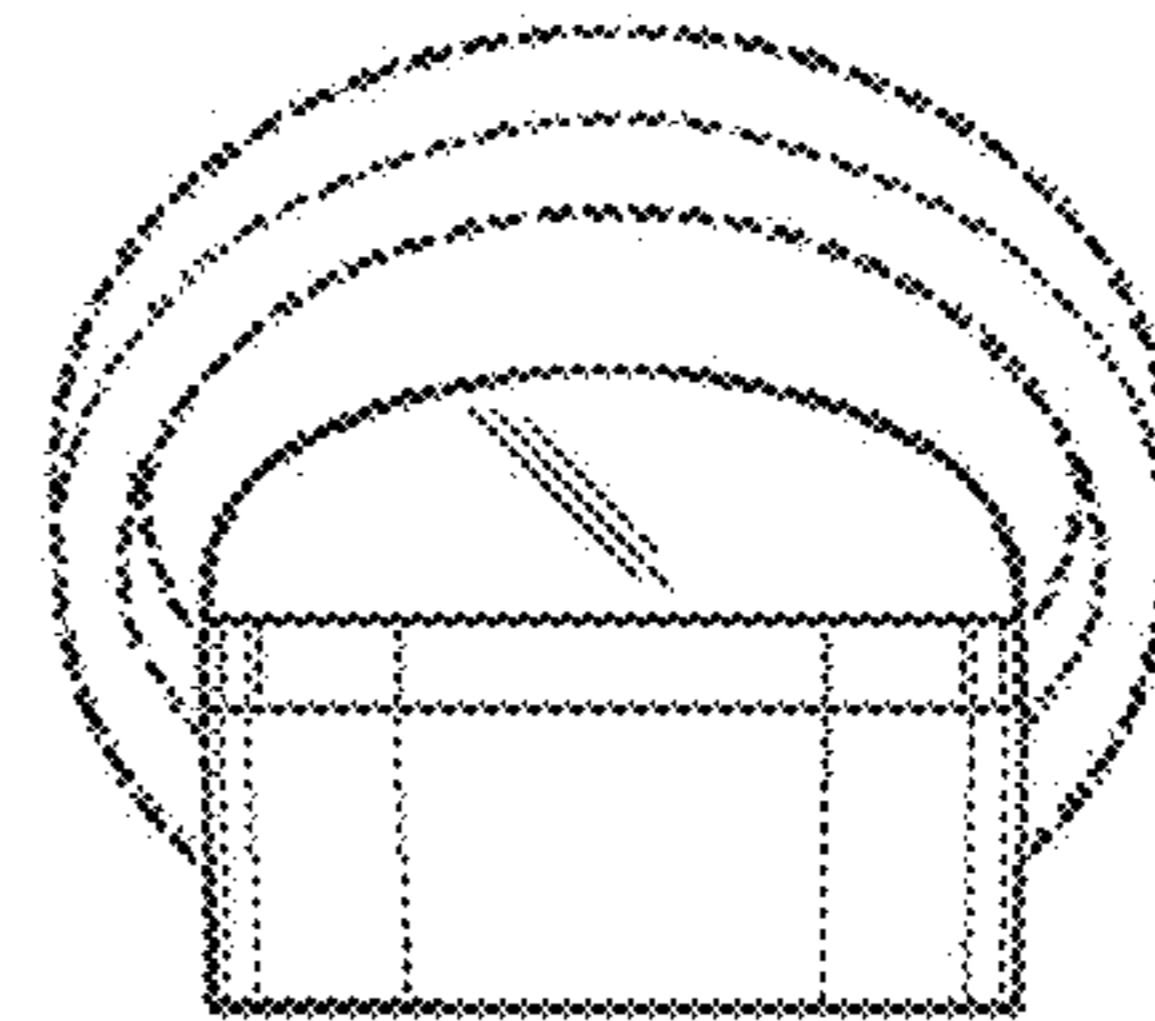


Fig. 3

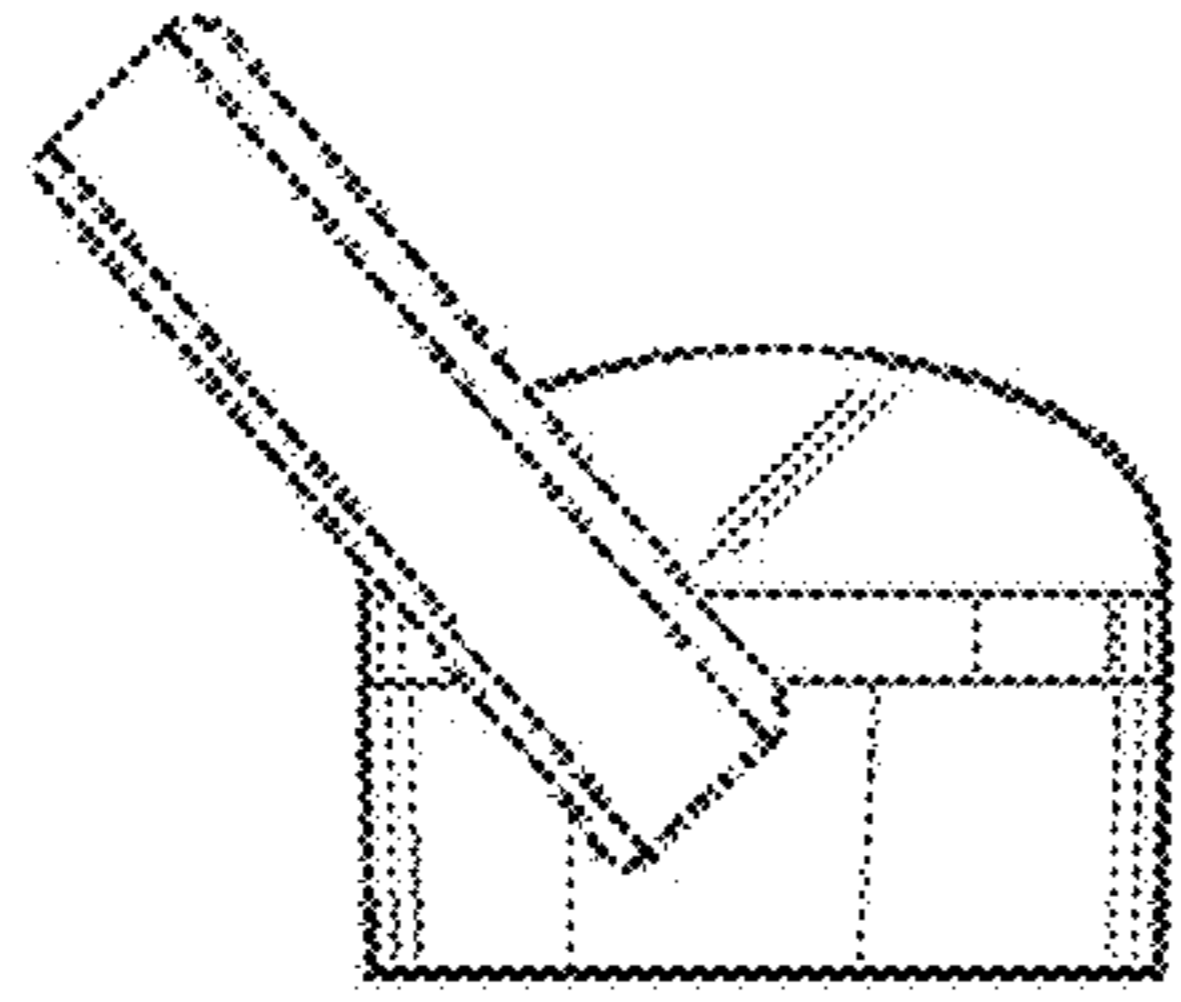


Fig. 4

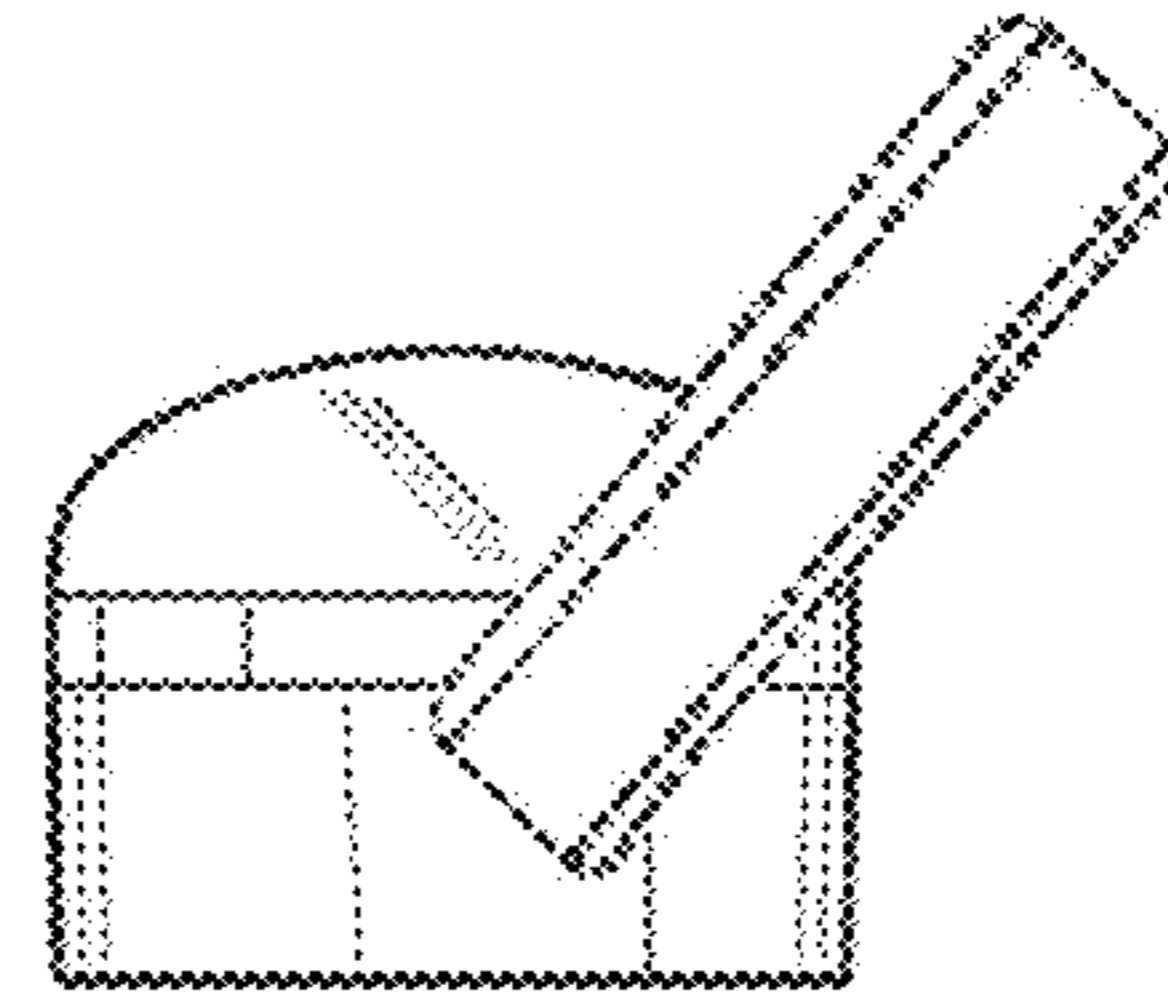


Fig. 5

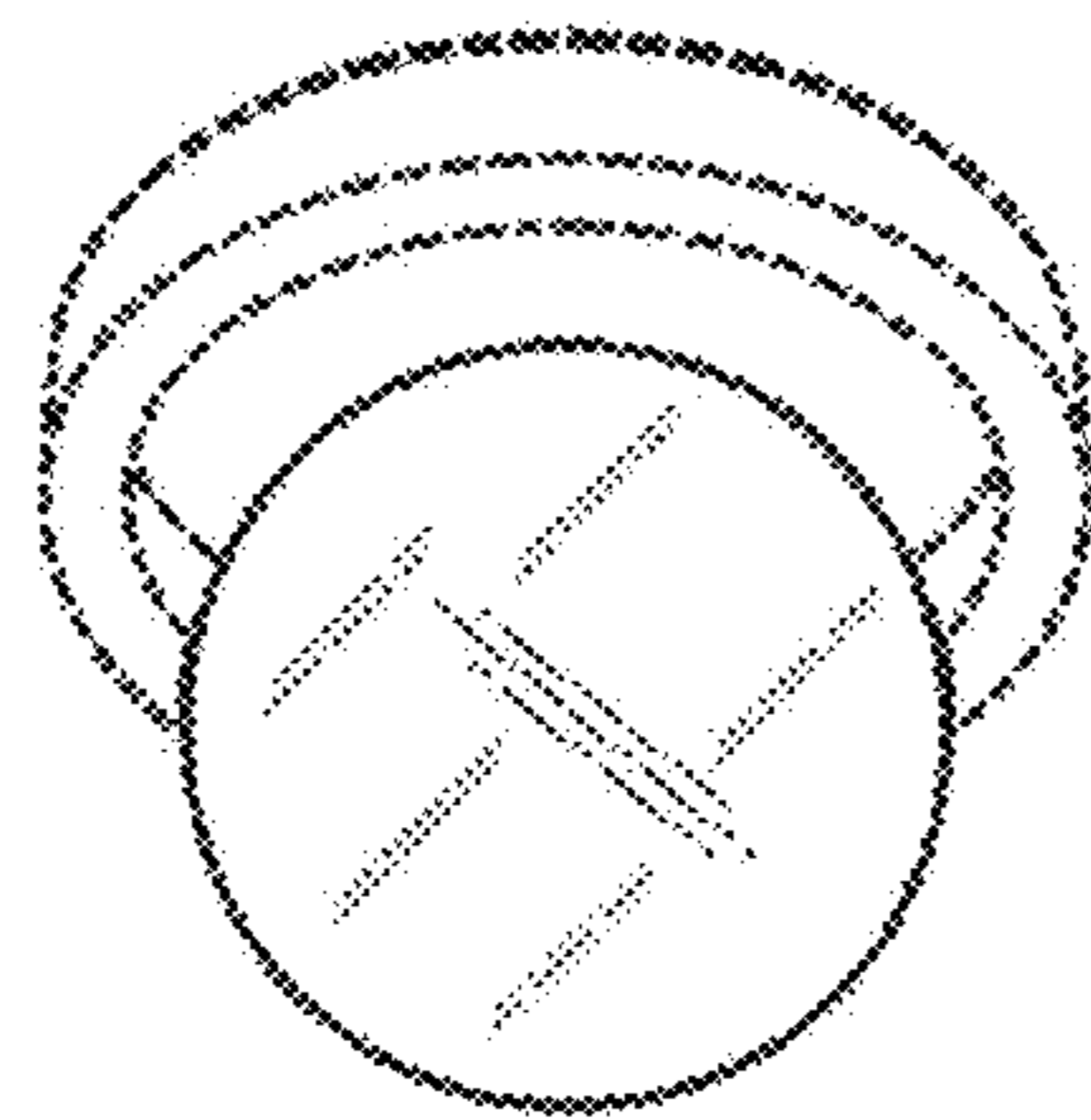


Fig. 6

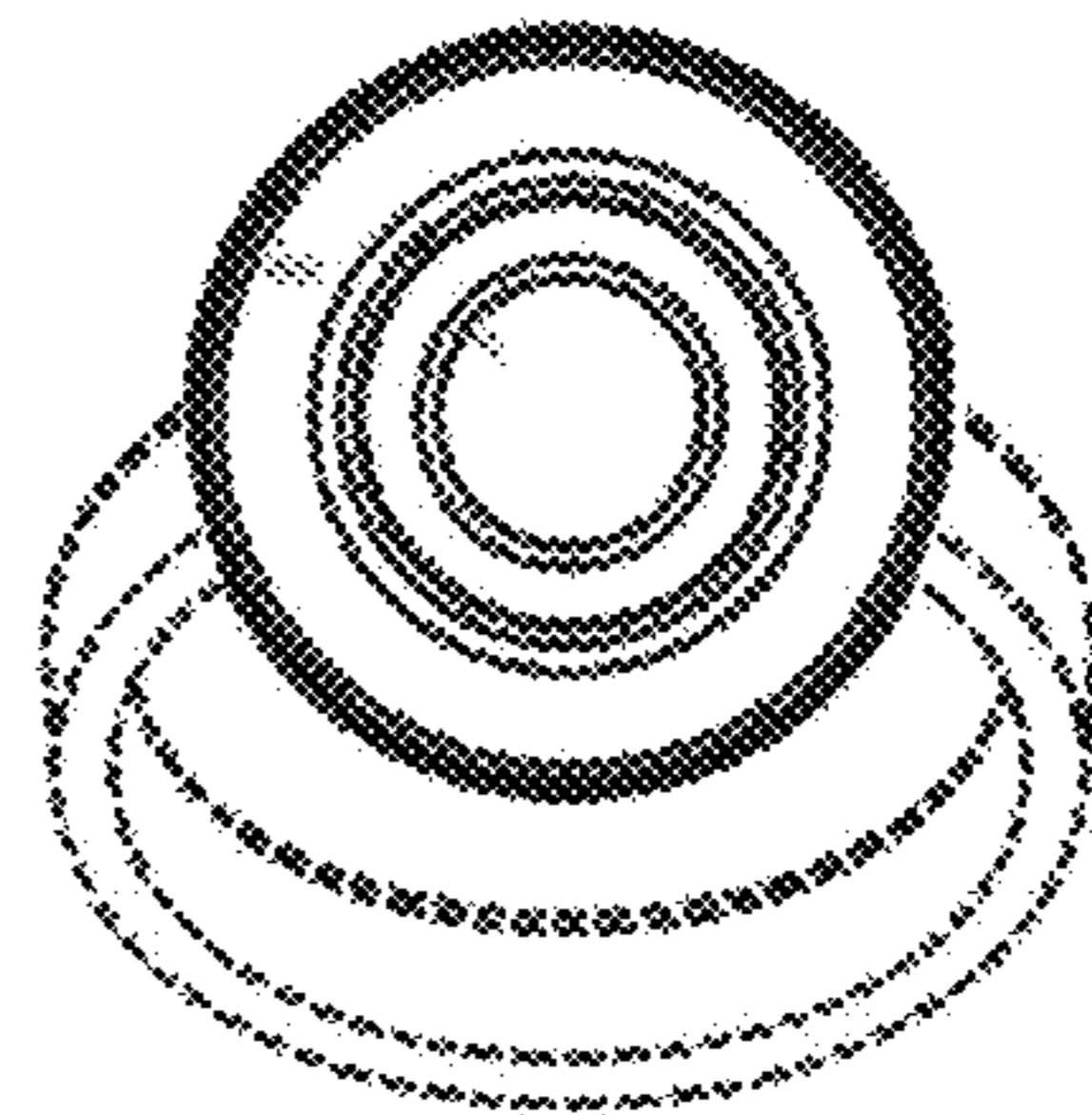


Fig. 7