



US00D855382S

(12) **United States Design Patent** (10) **Patent No.:** **US D855,382 S**
Lee (45) **Date of Patent:** **** Aug. 6, 2019**

(54) **COOKING PAN**

(71) Applicant: **ZAIGLE CO., LTD.**, Seoul (KR)

(72) Inventor: **Jin Hee Lee**, Seoul (KR)

(73) Assignee: **ZAIGLE CO., LTD.**, Seoul (KR)

(**) Term: **15 Years**

(21) Appl. No.: **29/647,484**

(22) Filed: **May 14, 2018**

(30) **Foreign Application Priority Data**

Nov. 29, 2017 (KR) 30-2017-0056265

(51) **LOC (12) Cl.** **07-02**

(52) **U.S. Cl.**
USPC **D7/362; D7/352; D7/409**

(58) **Field of Classification Search**
USPC D7/323, 332, 335-337, 352, 354-355,
D7/359-364, 387-388, 402, 407-409,
D7/554.3, 698; D9/424, 425, 431, 781
CPC A21B 2/00; A21B 3/00; A21B 3/13; A21B
3/15; A21B 5/00; A21B 5/02; A23N
12/06; A23N 12/08; A23N 12/10; A47J
36/04; A47J 37/00; A47J 37/04; A47J
37/041; A47J 37/042; A47J 37/06; A47J
37/0688; A47J 37/0694; A47J 37/07;
A47J 37/0704; A47J 37/10; A47J 47/20;
A47J 2037/00; A47J 2037/06; A47J
2037/0611; A47J 2037/07; A47J
2037/0786; A47J 2037/0795; F24C 15/10;
F24C 15/12; F24C 15/14; F24C 15/16;
F24C 15/164; F24C 15/18

See application file for complete search history.

(56) **References Cited**

U.S. PATENT DOCUMENTS

2,336,699	A	*	12/1943	Neth	A47J 36/04
						220/315
D287,104	S	*	12/1986	Holden	D9/425
D392,884	S	*	3/1998	Hayes	D9/431
D562,154	S	*	2/2008	Pelletier	D9/425
D622,540	S	*	8/2010	Sarnoff	D7/354
D692,296	S	*	10/2013	Cooper	D9/424
D768,428	S	*	10/2016	Lee	D7/352
D808,209	S	*	1/2018	Lee	D7/359
D826,625	S	*	8/2018	Lee	D7/362
D826,627	S	*	8/2018	Lee	D7/362
D827,361	S	*	9/2018	Lee	D7/356
D833,201	S	*	11/2018	Lee	D7/352
D833,206	S	*	11/2018	Lee	A47J 36/04
						D7/362

* cited by examiner

Primary Examiner — Ricky Pham

(74) *Attorney, Agent, or Firm* — Kile Park Reed & Houtteman PLLC

(57) **CLAIM**

I claim, the ornamental design for a cooking pan, as shown and described.

DESCRIPTION

FIG. 1 is a top and front perspective view of a cooking pan, showing my new design;
FIG. 2 is a front view thereof;
FIG. 3 is a rear view thereof;
FIG. 4 is a left side view thereof;
FIG. 5 is a right side view thereof;
FIG. 6 is a top view thereof; and,
FIG. 7 is a bottom view thereof.

1 Claim, 5 Drawing Sheets

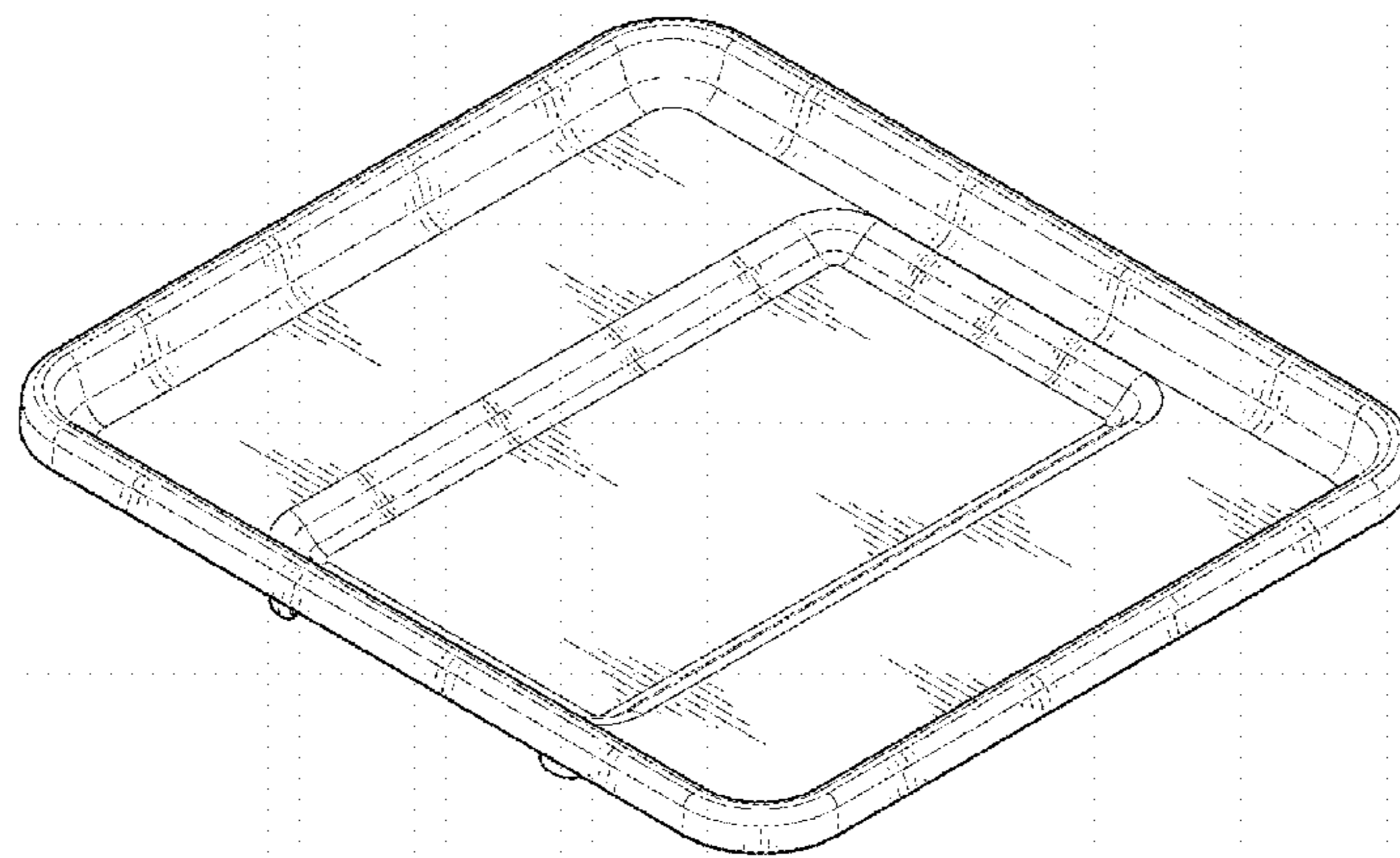


FIG. 1

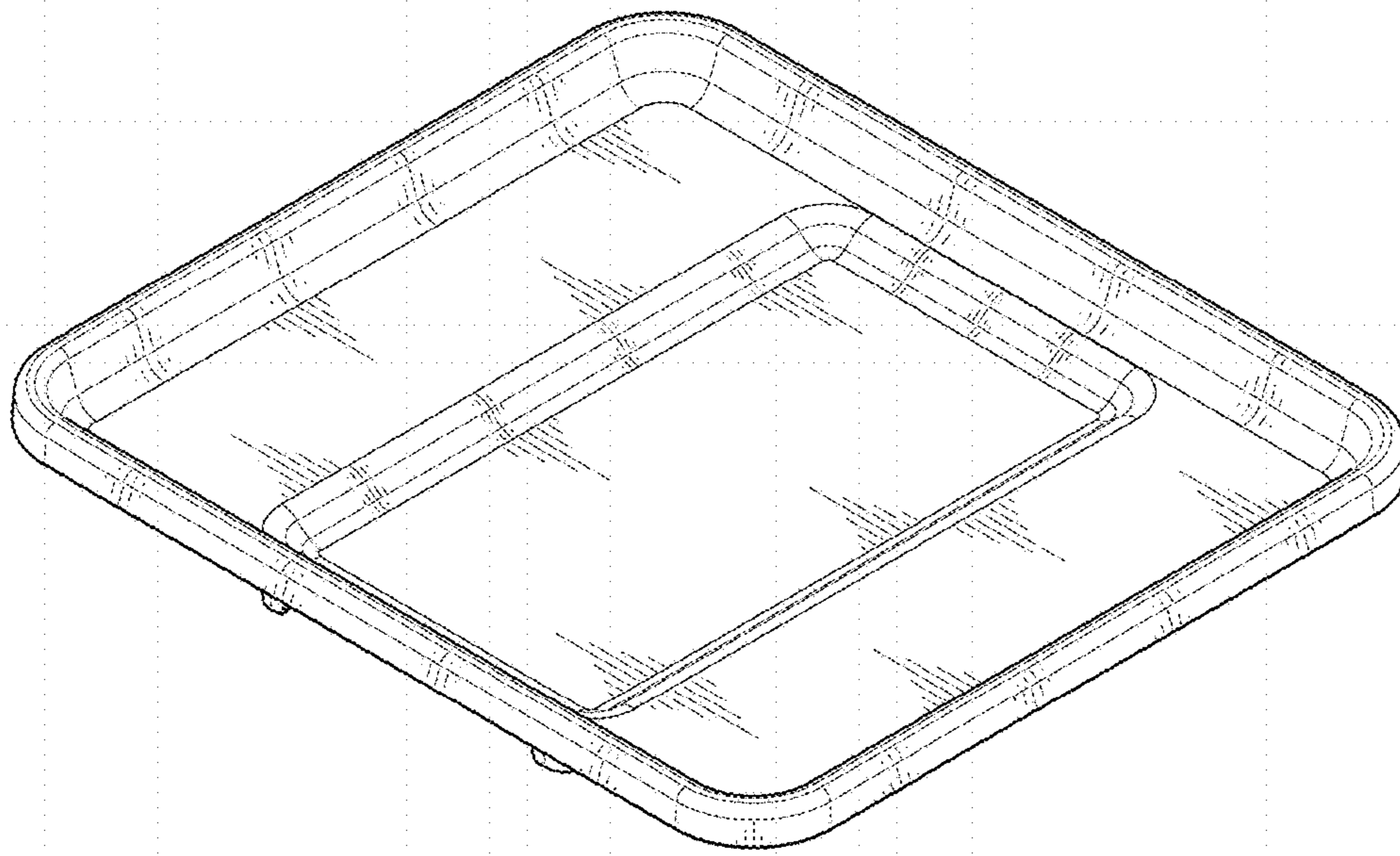


FIG. 2

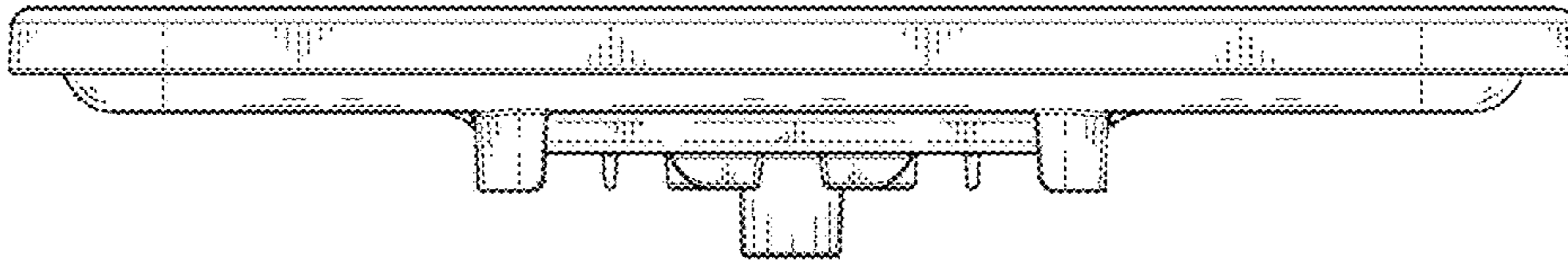


FIG. 3

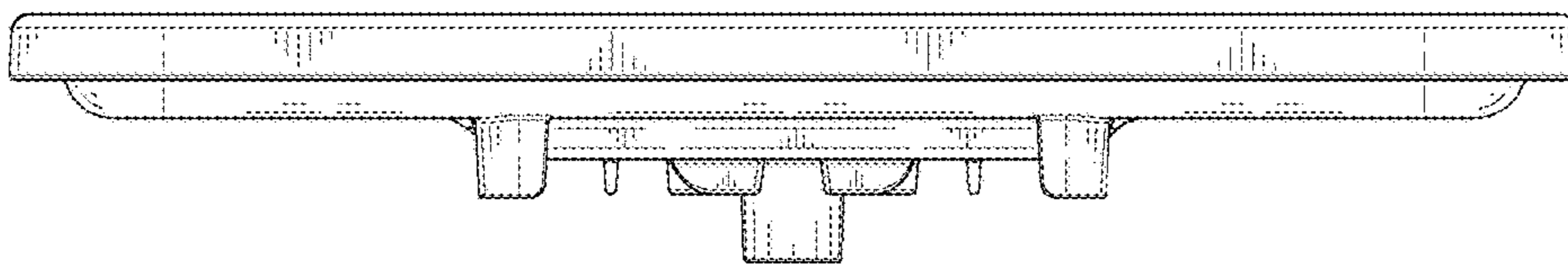


FIG. 4

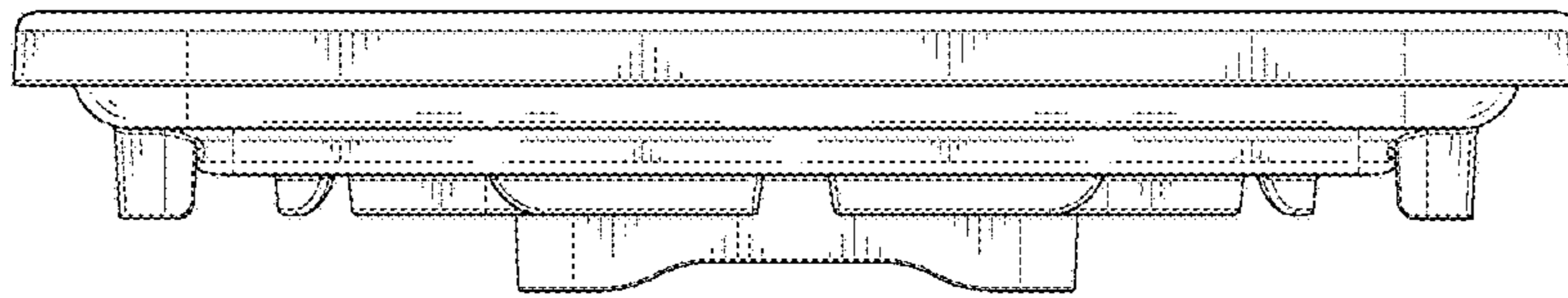


FIG. 5

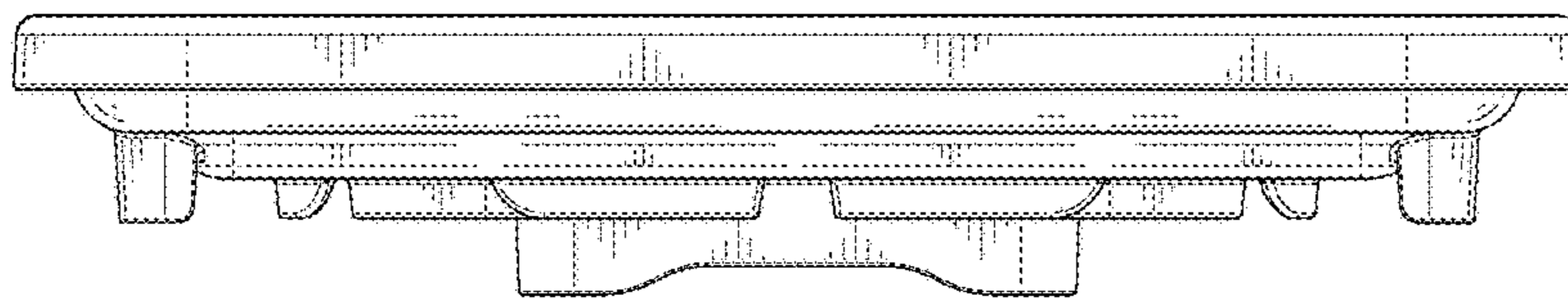


FIG. 6

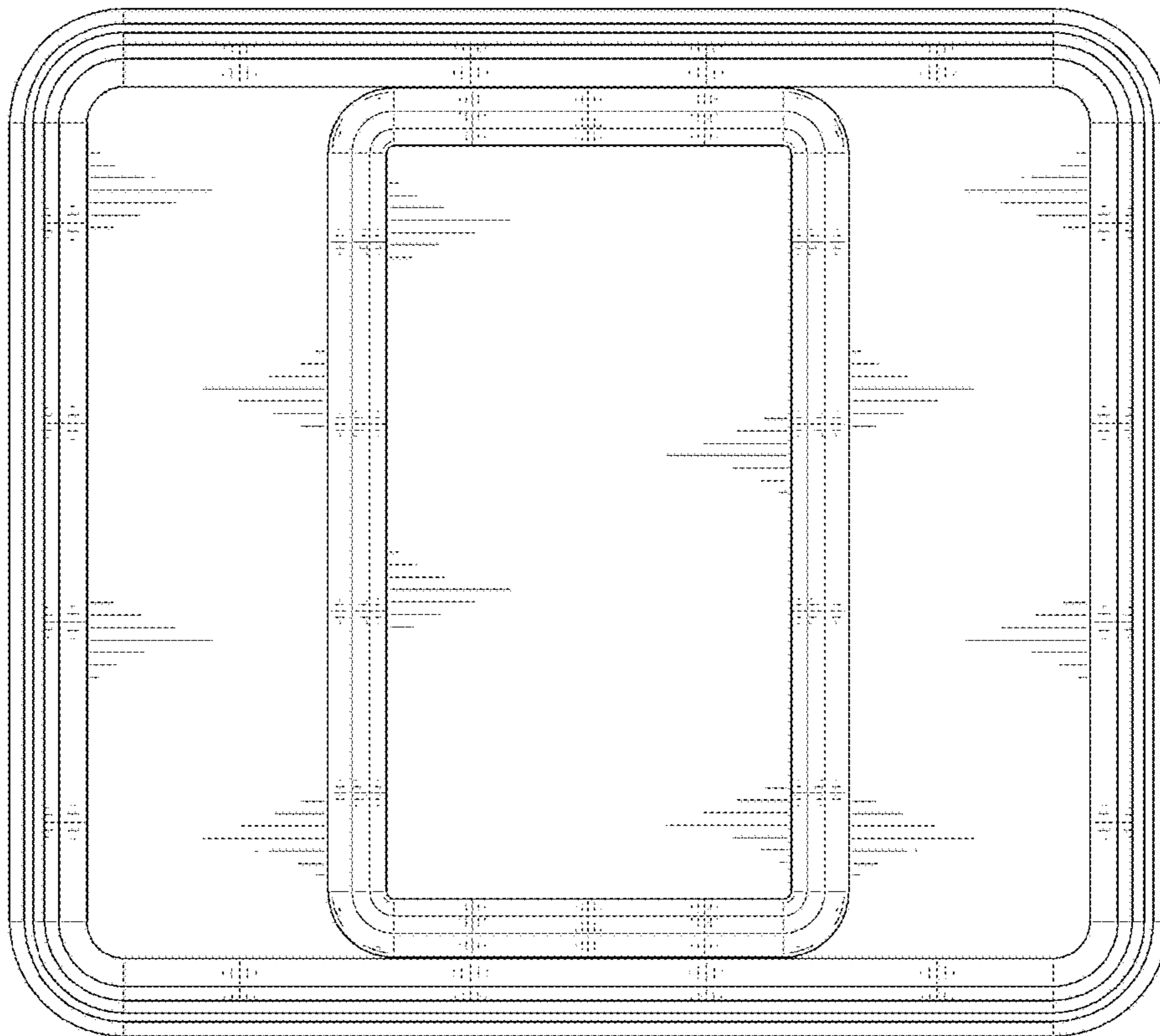


FIG. 7

