



US00D855377S

(12) **United States Design Patent** (10) **Patent No.:** **US D855,377 S**
Kim et al. (45) **Date of Patent:** **** Aug. 6, 2019**

(54) **GAS OVEN RANGE WITH GRIDDLE**

(71) Applicant: **LG ELECTRONICS INC.,** Seoul (KR)

(72) Inventors: **Sooyeon Kim,** Seoul (KR); **Hanjin Jung,** Seoul (KR); **Songyi Han,** Seoul (KR); **Inhwan Ryu,** Seoul (KR); **Jinwon Kang,** Seoul (KR)

(73) Assignee: **LG ELECTRONICS INC.,** Seoul (KR)

(**) Term: **15 Years**

(21) Appl. No.: **35/504,225**

(22) Filed: **Jun. 23, 2017**

(80) **Hague Agreement Data**

Int. Filing Date: **Jun. 23, 2017**
Int. Reg. No.: **DM/096846**
Int. Reg. Date: **Jun. 23, 2017**
Int. Reg. Pub. Date: **Dec. 29, 2017**

(30) **Foreign Application Priority Data**

Dec. 23, 2016 (KR) 30-2016-0063065

(51) **LOC (12) Cl.** **07-02**

(52) **U.S. Cl.**
USPC **D7/340**

(58) **Field of Classification Search**

USPC D7/323, 339-341, 346-349, 402-409
CPC F24B 1/00; F24B 1/20; F24C 3/00; F24C 3/002; F24C 3/008; F24C 5/00; F24C 7/00; F24C 7/002; F24C 1/00; H05B 1/0261; H05B 1/0263; H05B 1/0266
See application file for complete search history.

(56) **References Cited**

U.S. PATENT DOCUMENTS

D615,344 S * 5/2010 Grey D7/340
D615,800 S * 5/2010 Grey D7/340

D616,695 S * 6/2010 Grey D7/340
D617,133 S * 6/2010 Grey D7/340
D656,776 S * 4/2012 Funnell, II D7/340
D669,728 S * 10/2012 Funnell, II D7/340
D669,729 S * 10/2012 Funnell, II D7/340
D670,969 S * 11/2012 Bengtson D7/406
D682,602 S * 5/2013 Funnell, II D7/340
D682,603 S * 5/2013 Funnell, II D7/340
D699,503 S * 2/2014 Funnell, II D7/340

(Continued)

Primary Examiner — Sheryl Lane

Assistant Examiner — Nicole C Shiflet

(74) *Attorney, Agent, or Firm* — Birch, Stewart, Kolasch & Birch, LLP

(57) **CLAIM**

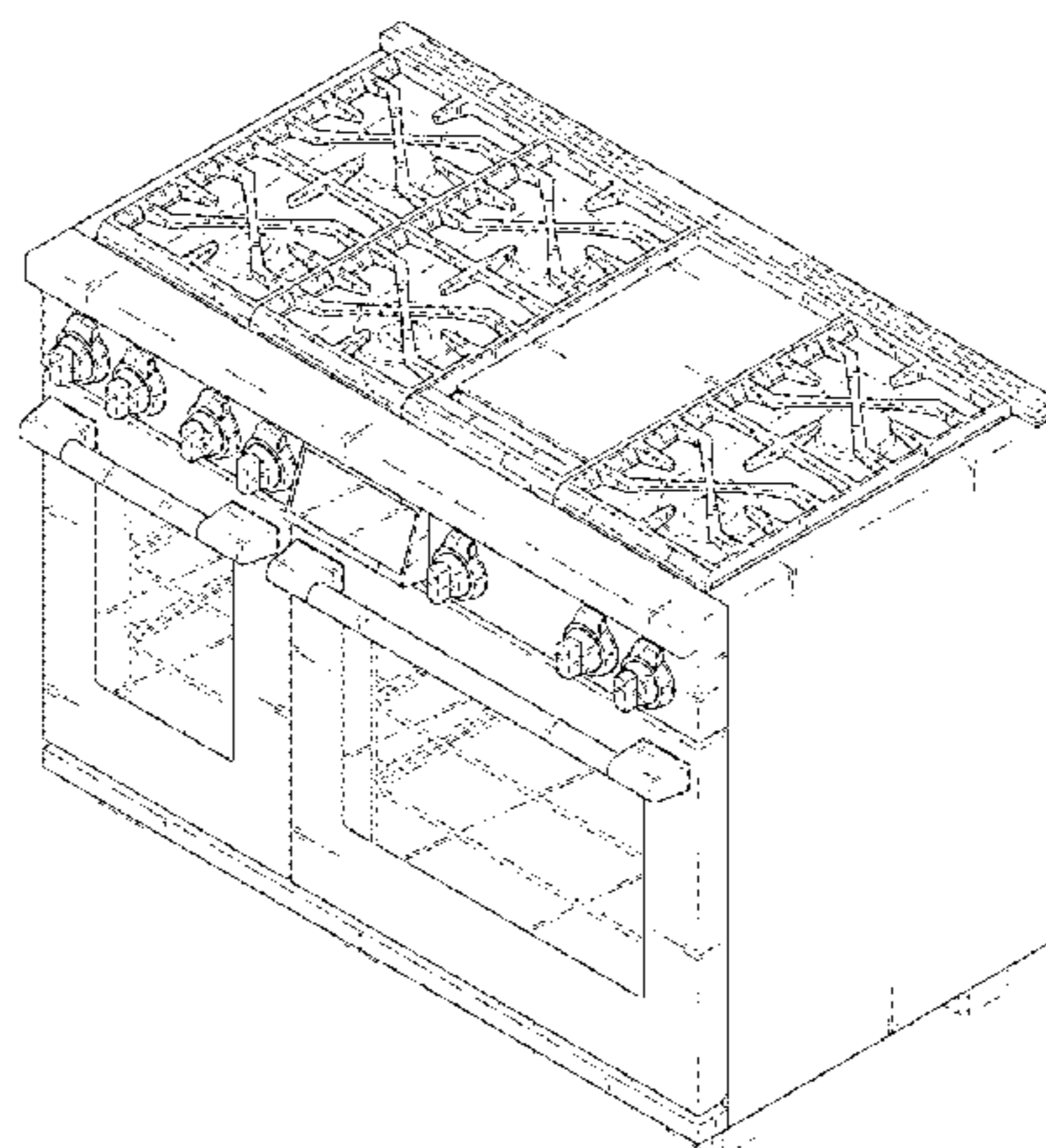
The ornamental design for a gas oven range with griddle, as shown and described.

DESCRIPTION

- 1. Gas oven range with griddle
- 1.1 : Perspective
- 1.2 : Front
- 1.3 : Back
- 1.4 : Left
- 1.5 : Top
- 1.6 : Bottom
- 1.7 : Back perspective view

The broken lines depict portions of the gas oven range with griddle that form no part of the claimed design; reproduction 1.1 is a front perspective view of the gas oven range with griddle; reproduction 1.2 is a front view thereof; reproduction 1.3 is a back view thereof; reproduction 1.4 is a left view thereof where the right view is a mirror image; reproduction 1.5 is a top view thereof; reproduction 1.6 is a bottom view thereof; reproduction 1.7 is a back perspective view thereof; this is a design for a gas oven range with a modular griddle at the top part; further, there is a touch display at the top center of the front part.

1 Claim, 7 Drawing Sheets



(56)

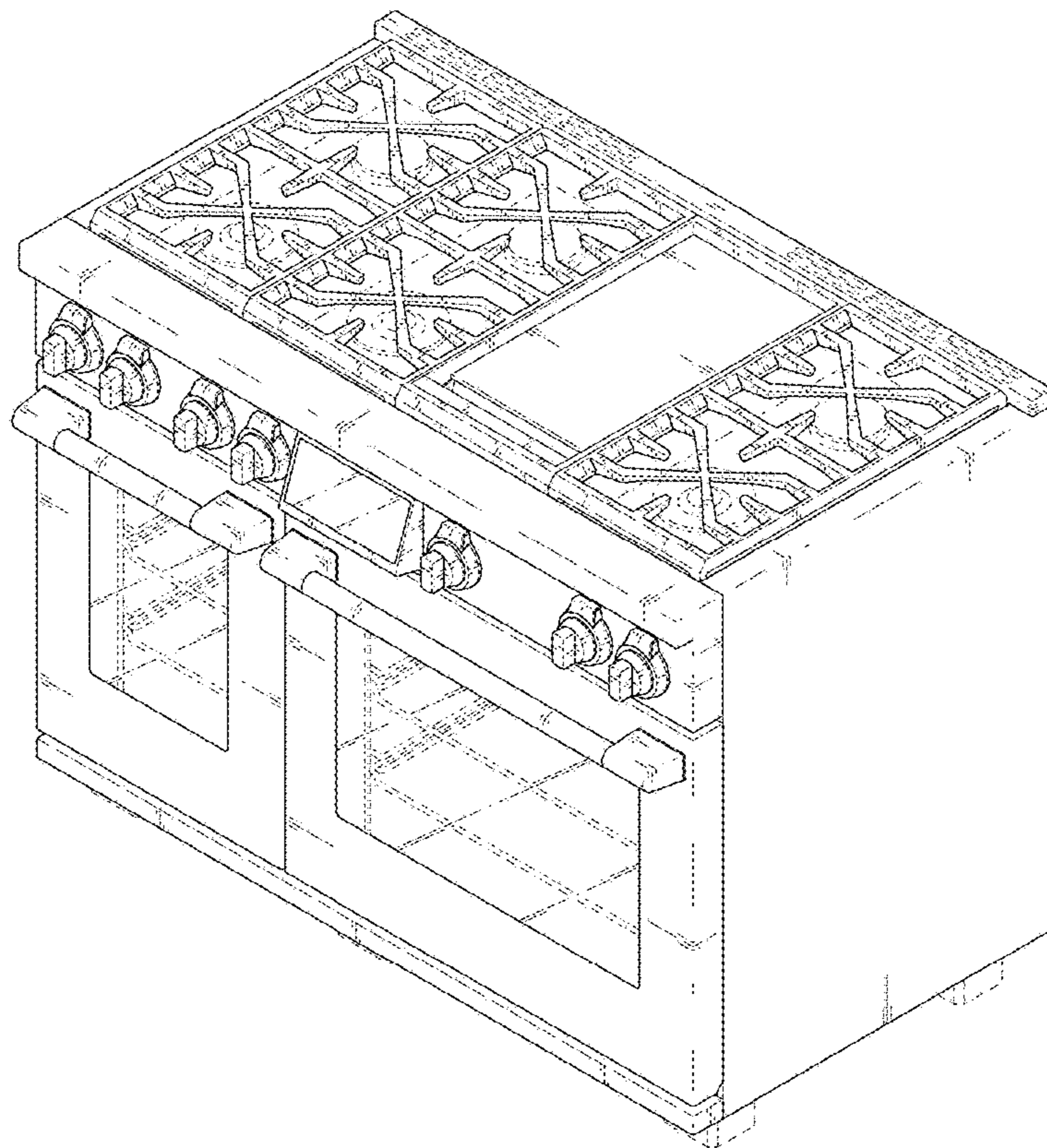
References Cited

U.S. PATENT DOCUMENTS

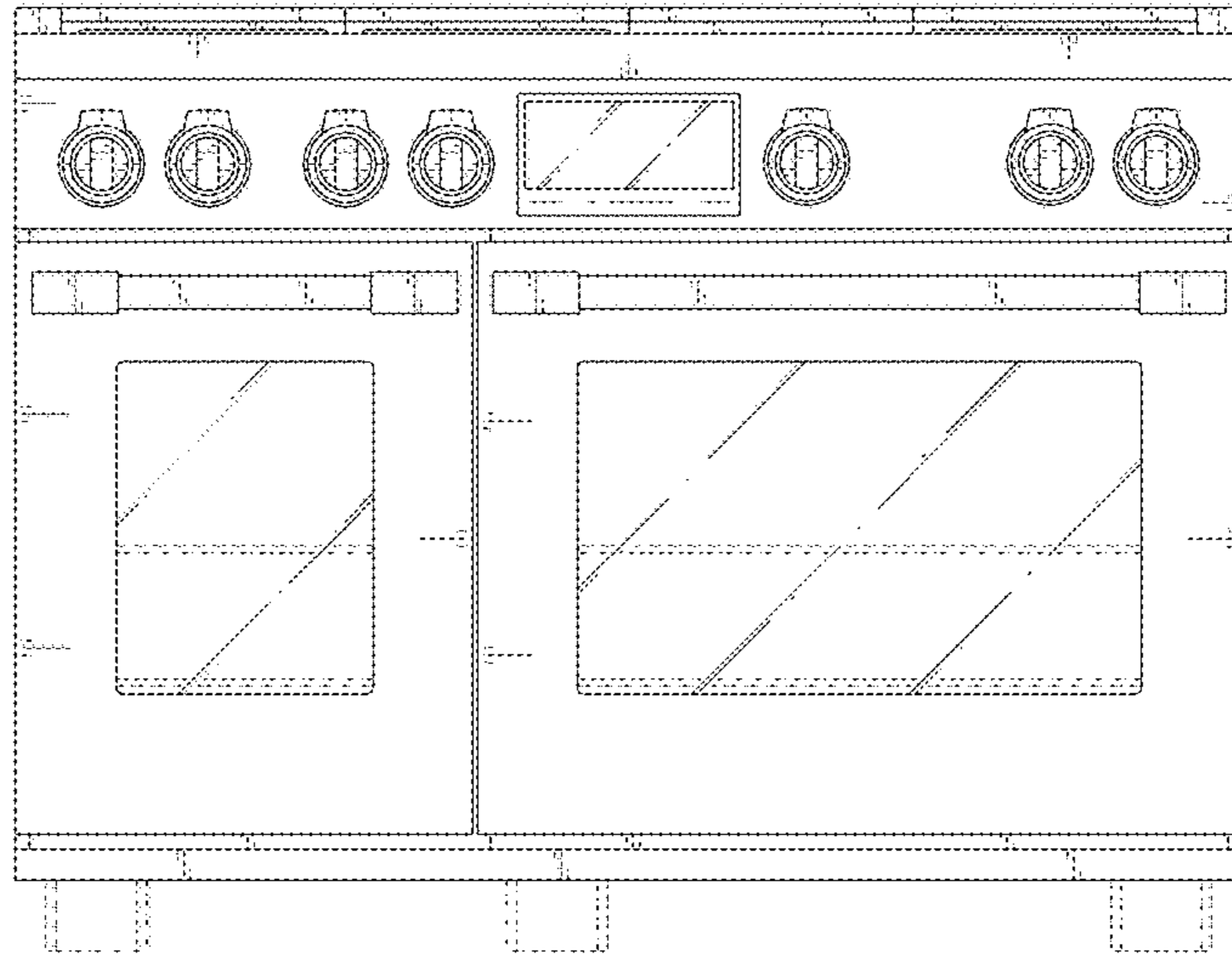
D701,074 S *	3/2014	Funnell, II	D7/340
D742,688 S *	11/2015	Funnell, II	D7/405
D750,432 S *	3/2016	Funnell, II	D7/406
D760,024 S *	6/2016	Funnell, II	D7/405
D763,616 S *	8/2016	Kim	D7/339
D808,705 S *	1/2018	Kim	D7/340
D808,706 S *	1/2018	Kim	D7/340
D808,707 S *	1/2018	Kim	D7/340
D817,688 S *	5/2018	Kim	D7/340
D818,303 S *	5/2018	Kim	D7/340
D829,482 S *	10/2018	Incukur	D7/340
D829,503 S *	10/2018	Kim	D7/408

* cited by examiner

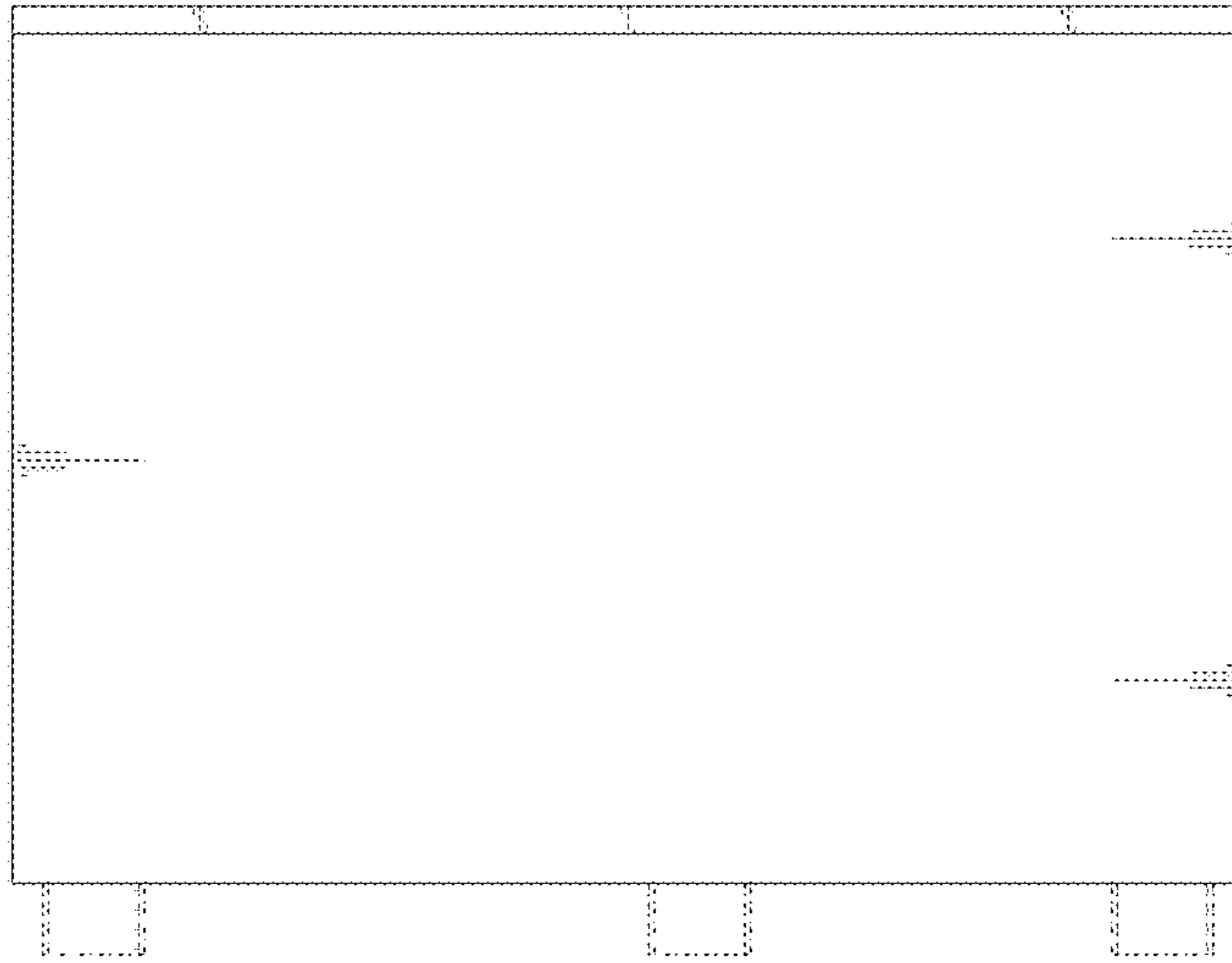
1.1



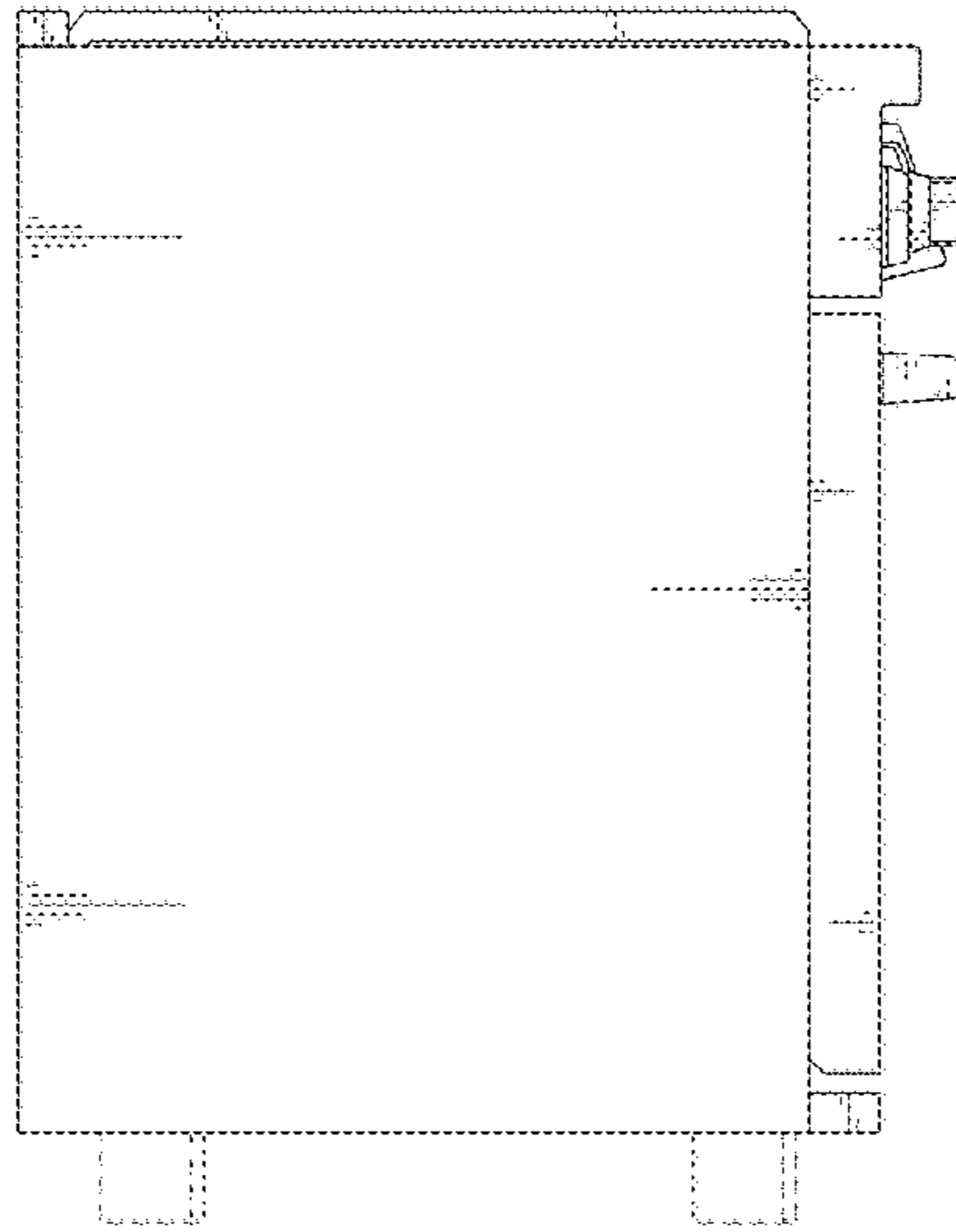
1.2



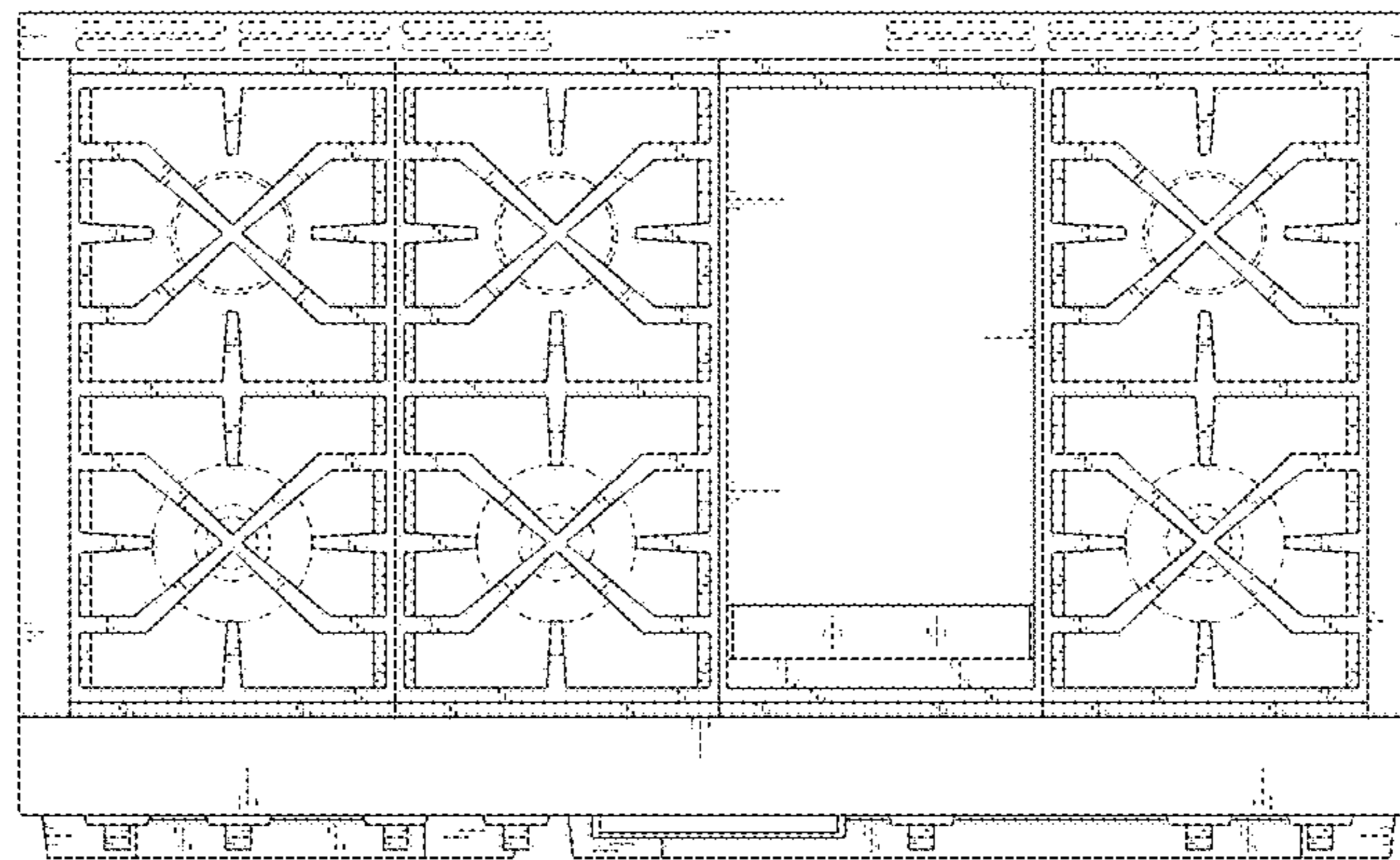
1.3



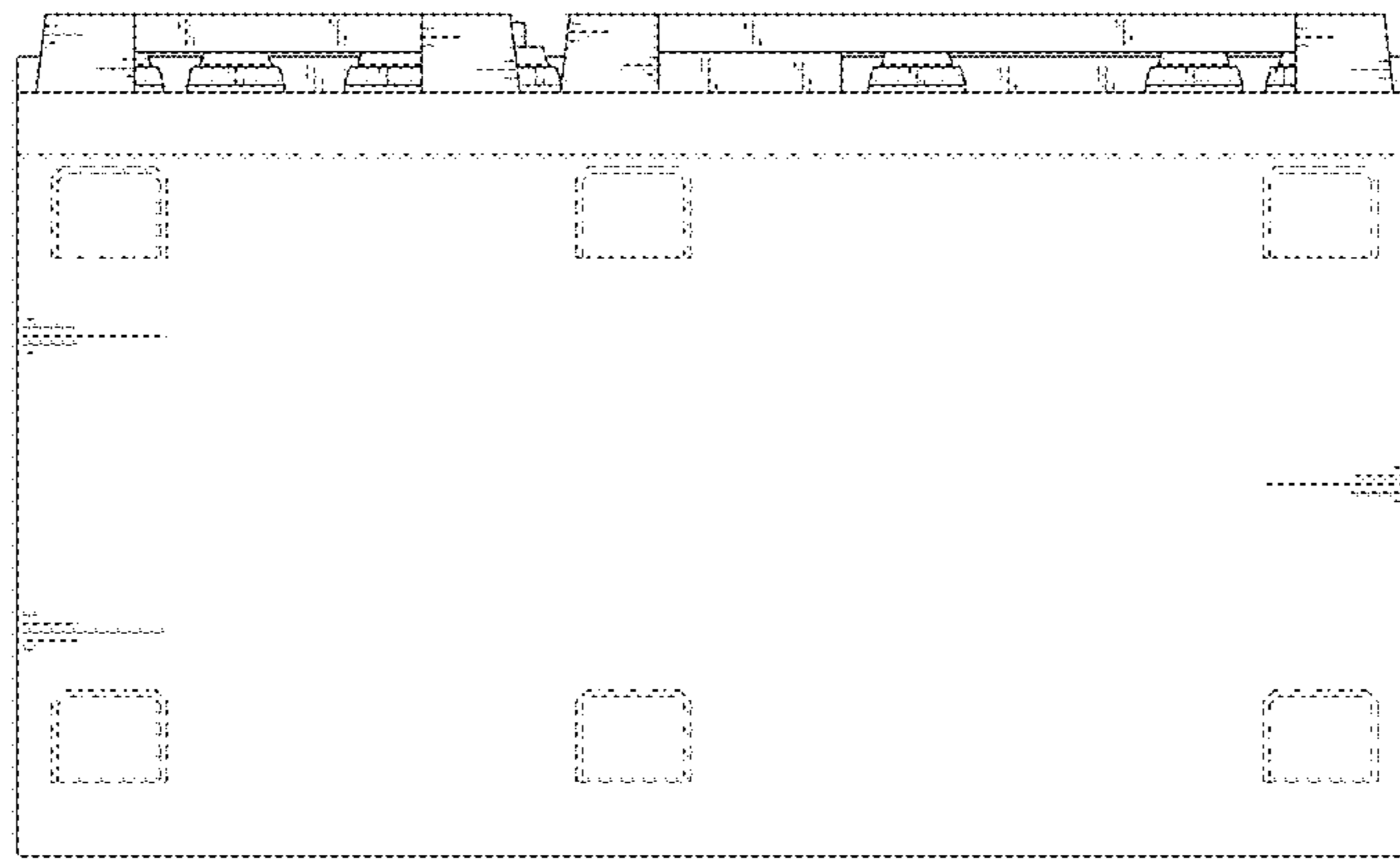
1.4



1.5



1.6



1.7

