



US00D855373S

(12) **United States Design Patent**
Thomkins

(10) **Patent No.:** **US D855,373 S**

(45) **Date of Patent:** **** Aug. 6, 2019**

(54) **ROASTER**

Primary Examiner — Ricky Pham

(71) Applicant: **Foshan Shunde Higold Hardware Product Manufacturing Co., Ltd.**,
Foshan, Guangdong (CN)

(72) Inventor: **Nicolas Thomkins**, Guangdong (CN)

(73) Assignee: **Foshan Shunde Higold Hardware Product Manufacturing Co., Ltd.**,
Foshan (CN)

(**) Term: **15 Years**

(21) Appl. No.: **29/618,951**

(22) Filed: **Sep. 26, 2017**

(30) **Foreign Application Priority Data**

Jun. 22, 2017 (CN) 2017 3 0261153

(51) **LOC (12) Cl.** **07-02**

(52) **U.S. Cl.**
USPC **D7/339; D7/323**

(58) **Field of Classification Search**
USPC ... D7/323, 332-338, 350.1, 350.4, 355, 359,
D7/402-409

CPC A22C 15/007; A47J 27/62; A47J 37/00;
A47J 37/041; A47J 37/042; A47J 37/043;
A47J 37/049; A47J 37/0623; A47J
37/0629; A47J 37/07; A47J 37/079; A47J
37/0704; A47J 37/0718; A47J 2037/0777;
A23B 4/052

See application file for complete search history.

(56) **References Cited**

U.S. PATENT DOCUMENTS

RE23,662 E * 5/1953 Larkin A47J 37/041
99/421 R

D260,221 S * 8/1981 Lee 99/419

D391,799 S * 3/1998 Haring D7/338

(Continued)

(57) **CLAIM**

The ornamental design for a roaster, as shown and described.

DESCRIPTION

FIG. 1 is a front elevational view of a roaster showing my new design;

FIG. 2 is a rear elevational view of FIG. 1;

FIG. 3 is a left side view of FIG. 1;

FIG. 4 is a right side view of FIG. 1;

FIG. 5 is a top plan view of FIG. 1;

FIG. 6 is a bottom plan view of FIG. 1;

FIG. 7 is a first perspective view of FIG. 1;

FIG. 8 is a second perspective view of FIG. 1;

FIG. 9 is a third perspective view of FIG. 1;

FIG. 10 is a front elevational view showing the roaster in a folded state;

FIG. 11 is a rear elevational view of FIG. 10;

FIG. 12 is a left side view of FIG. 10;

FIG. 13 is a right side view of FIG. 10;

FIG. 14 is a top plan view of FIG. 10;

FIG. 15 is a bottom plan view of FIG. 10;

FIG. 16 is a first perspective view of FIG. 10;

FIG. 17 is a second perspective view of FIG. 10;

FIG. 18 is a third perspective view of FIG. 10;

FIG. 19 is a perspective view showing the roaster in a first use state;

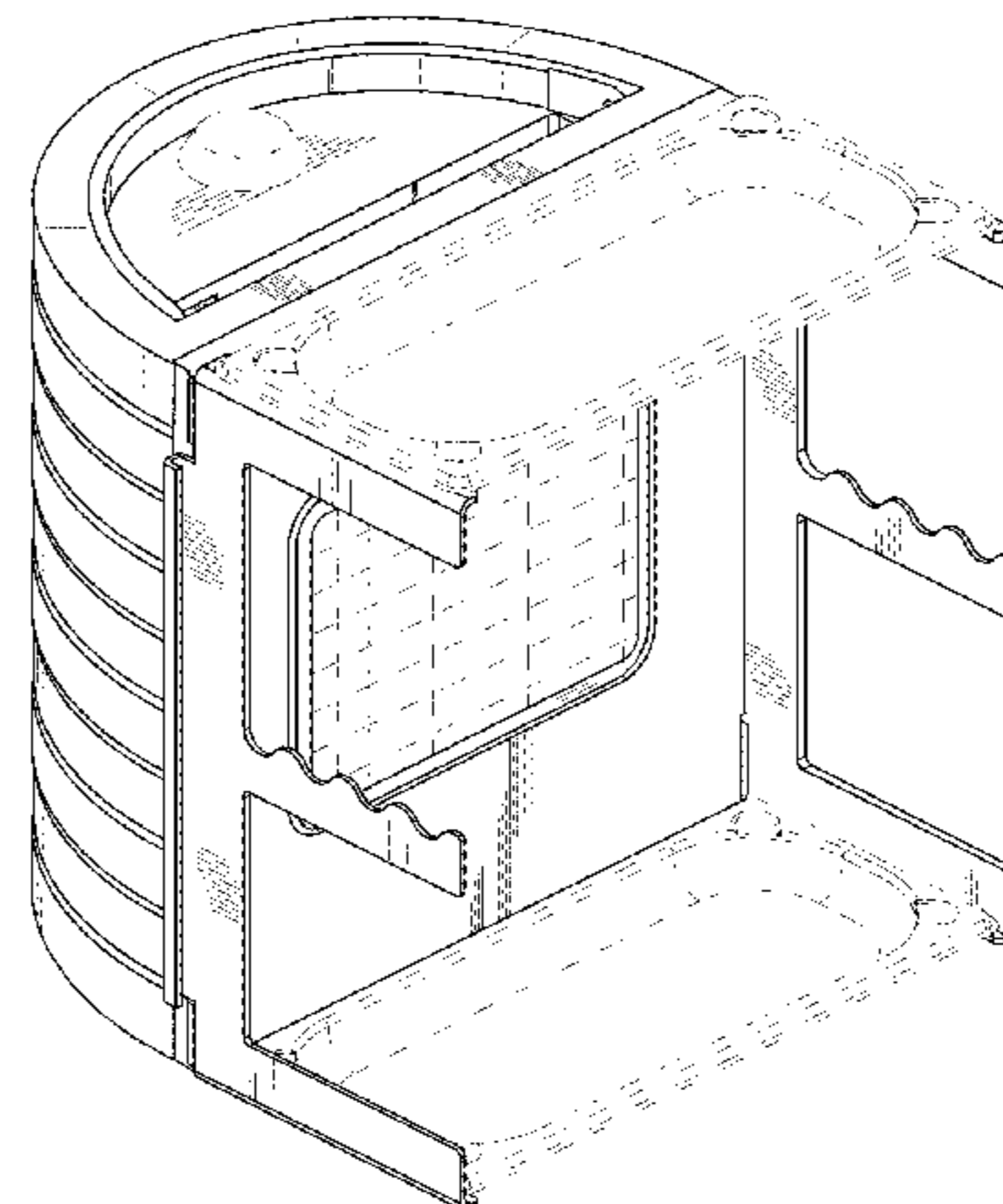
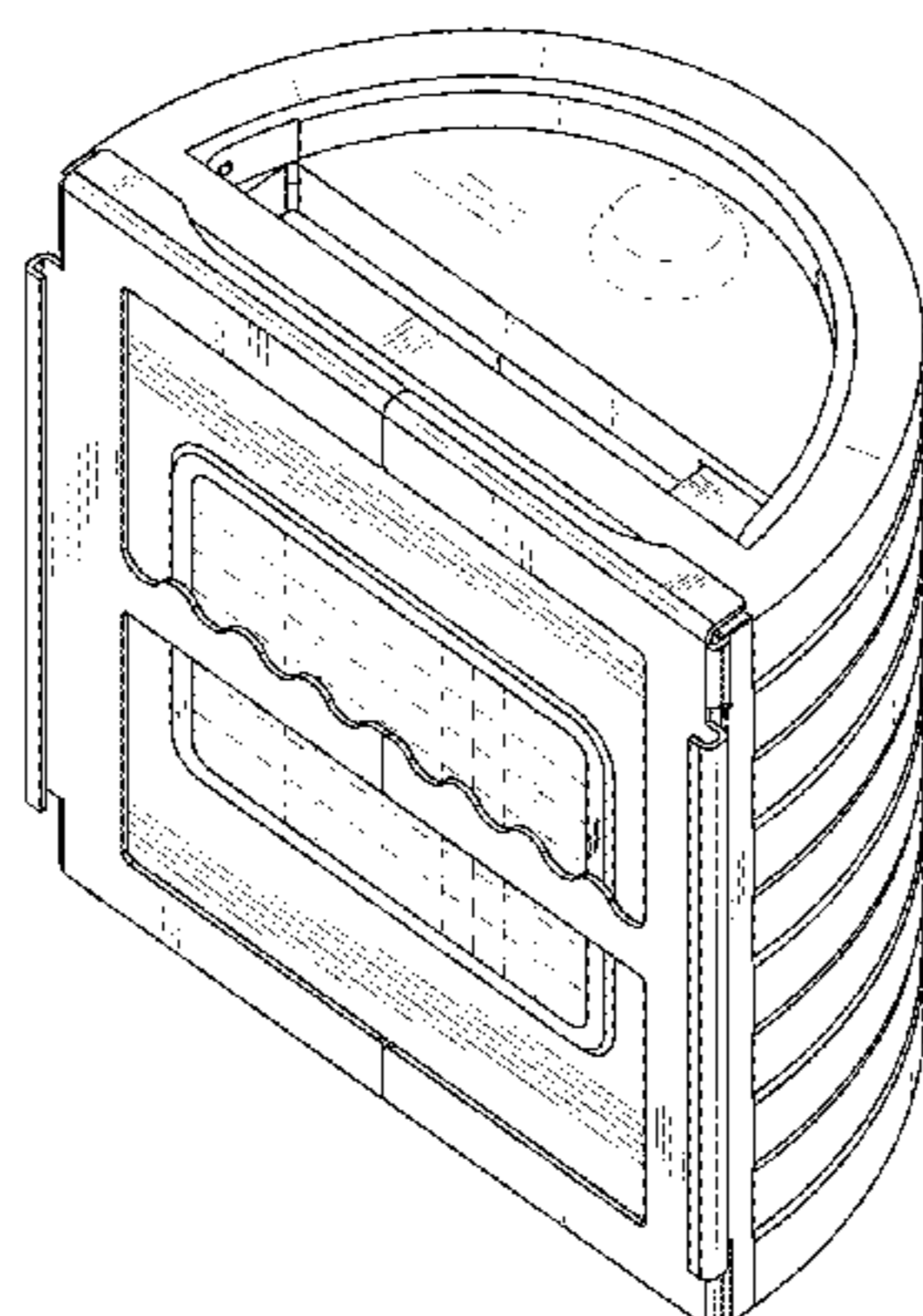
FIG. 20 is a perspective view showing the roaster in a second use state; and,

FIG. 21 is a perspective view showing the roaster in a third use state.

The broken lines in the drawings illustrate portions of the roaster which form no part of the claimed design.

The broken lines in FIGS. 19-21 depict environment and are for illustrative purposes only and form no part of the claimed design.

1 Claim, 21 Drawing Sheets



(56)

References Cited

U.S. PATENT DOCUMENTS

5,845,563 A * 12/1998 Haring A47J 37/043
99/419
5,866,876 A * 2/1999 Su A47J 37/0629
219/386
5,996,820 A * 12/1999 Broadnax A22C 15/007
211/125
D422,172 S * 4/2000 Hsu D7/337
D433,867 S * 11/2000 Hsu D7/350.4
D434,268 S * 11/2000 Yu D7/355
6,167,800 B1 * 1/2001 Su A47J 37/0623
99/419
6,178,879 B1 * 1/2001 Park A47J 37/0623
99/419
7,021,204 B2 * 4/2006 Backus A47J 37/041
99/339

* cited by examiner

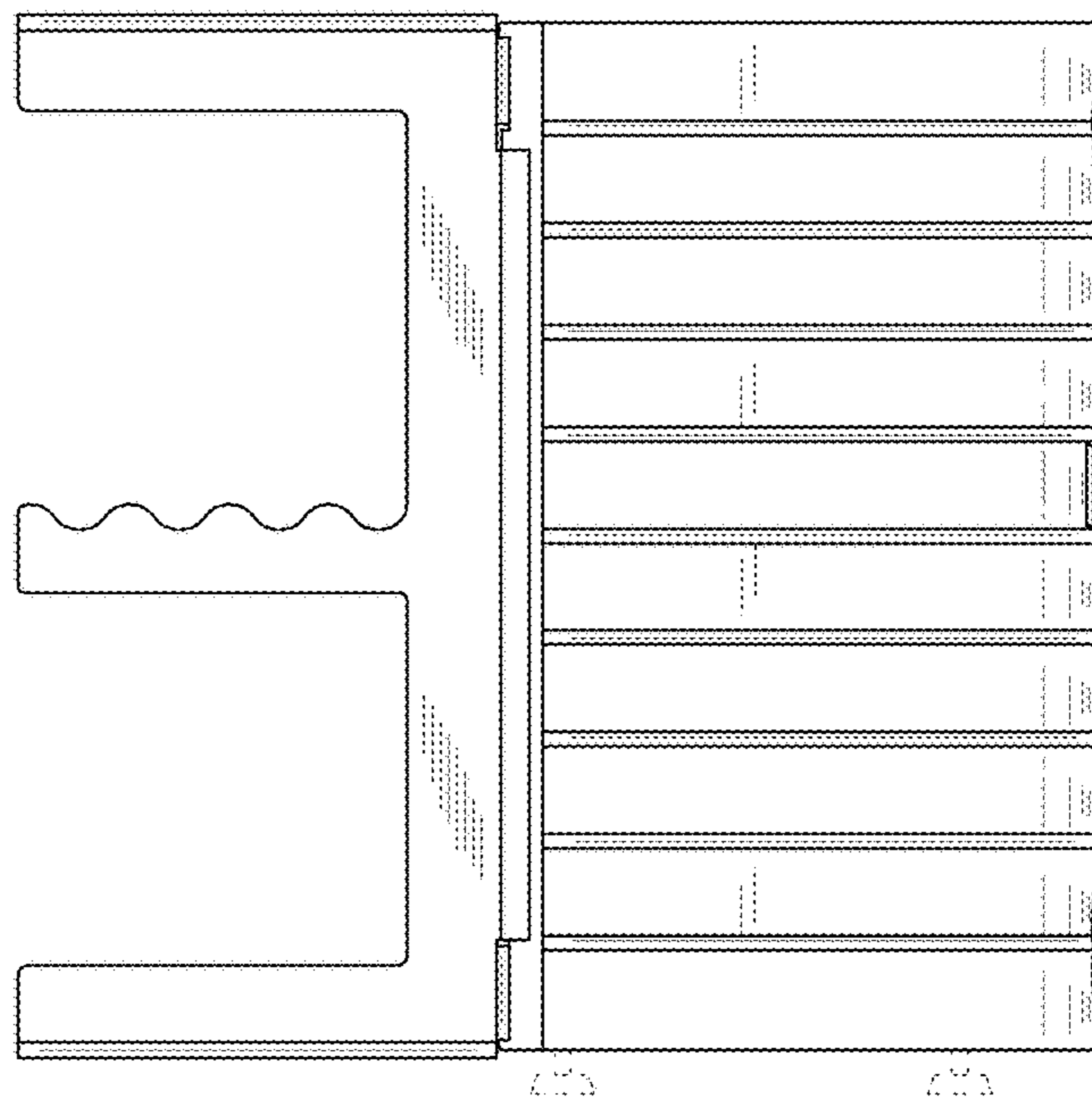


Fig. 1

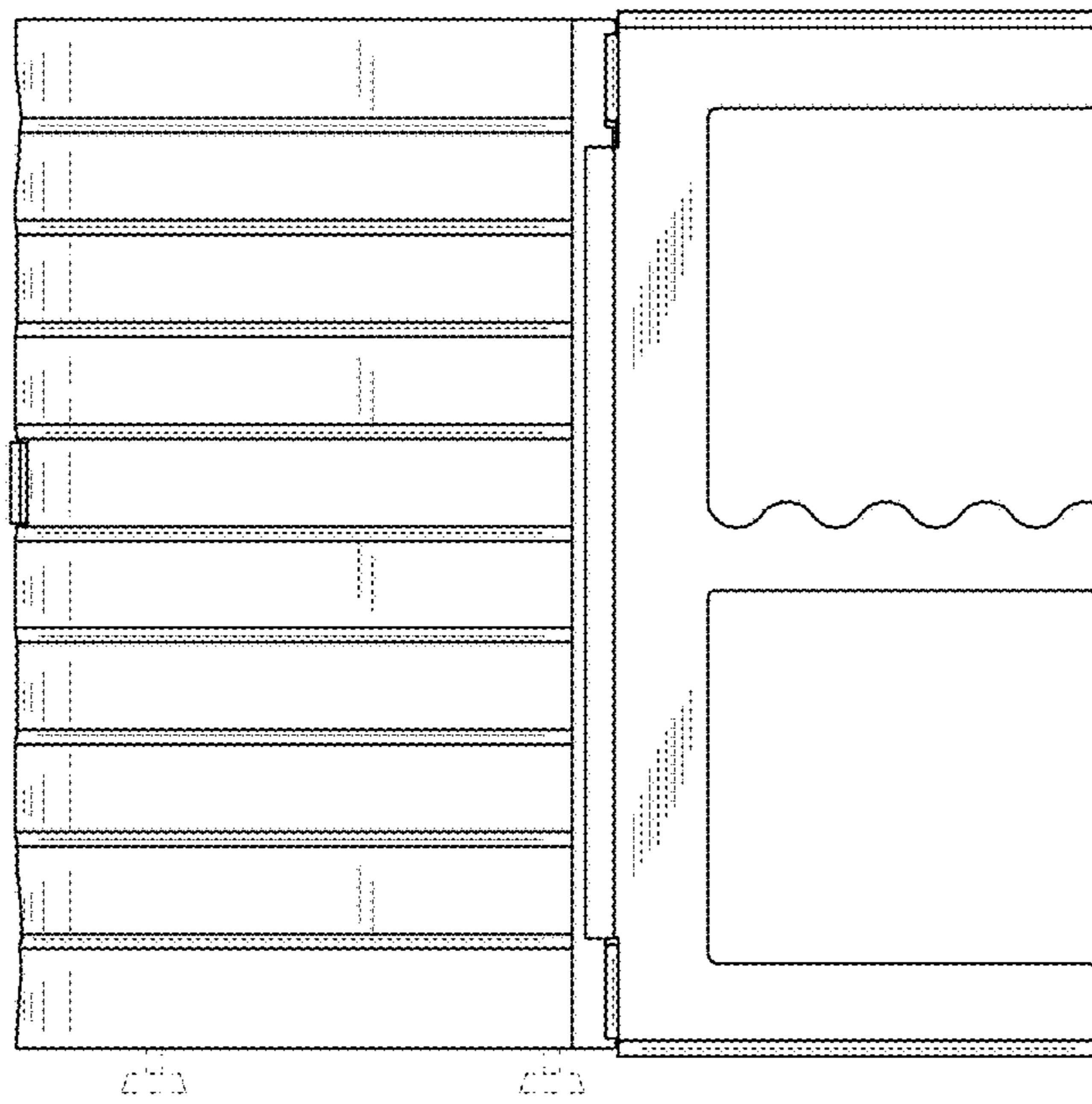


Fig. 2

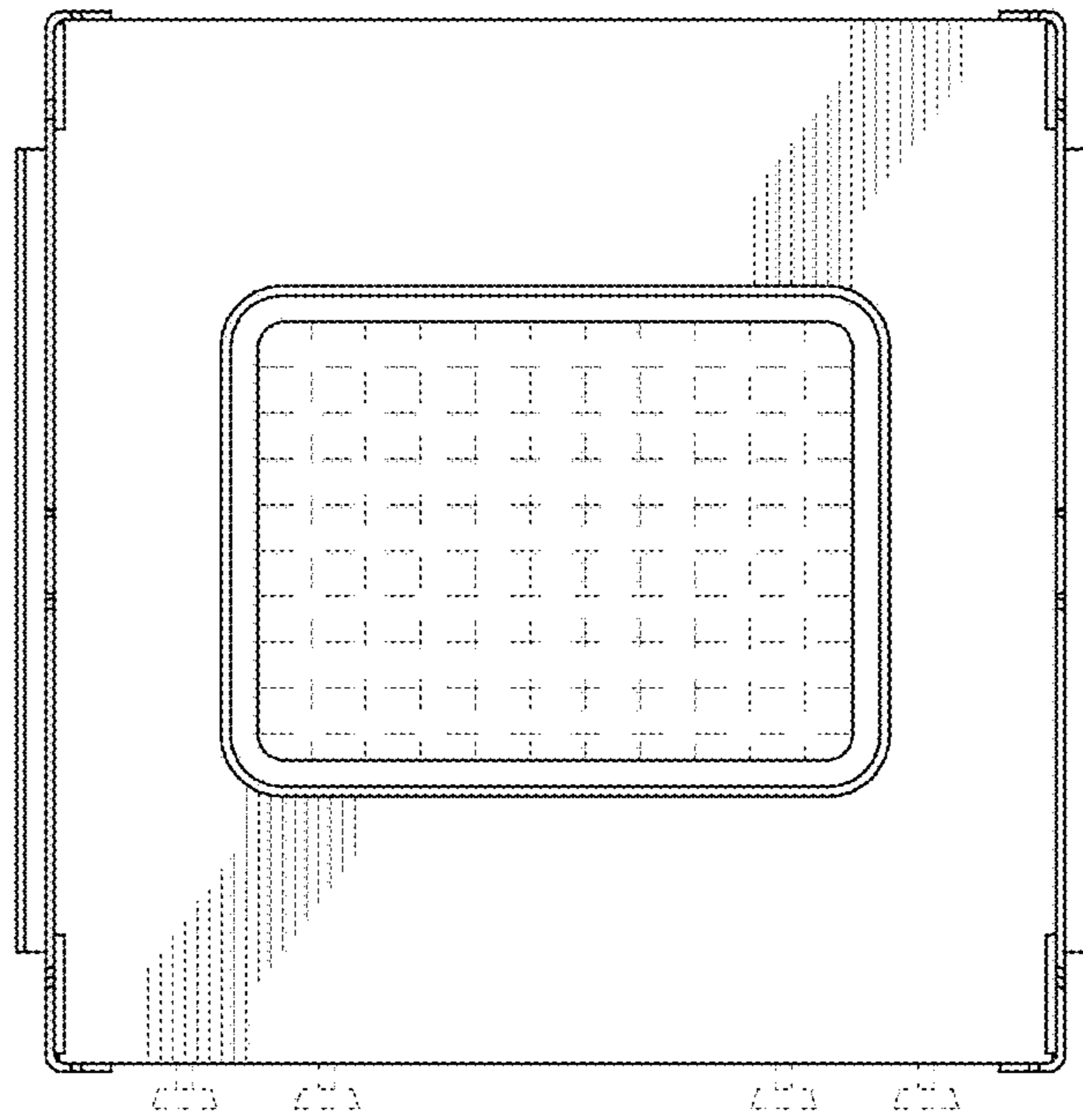


Fig. 3

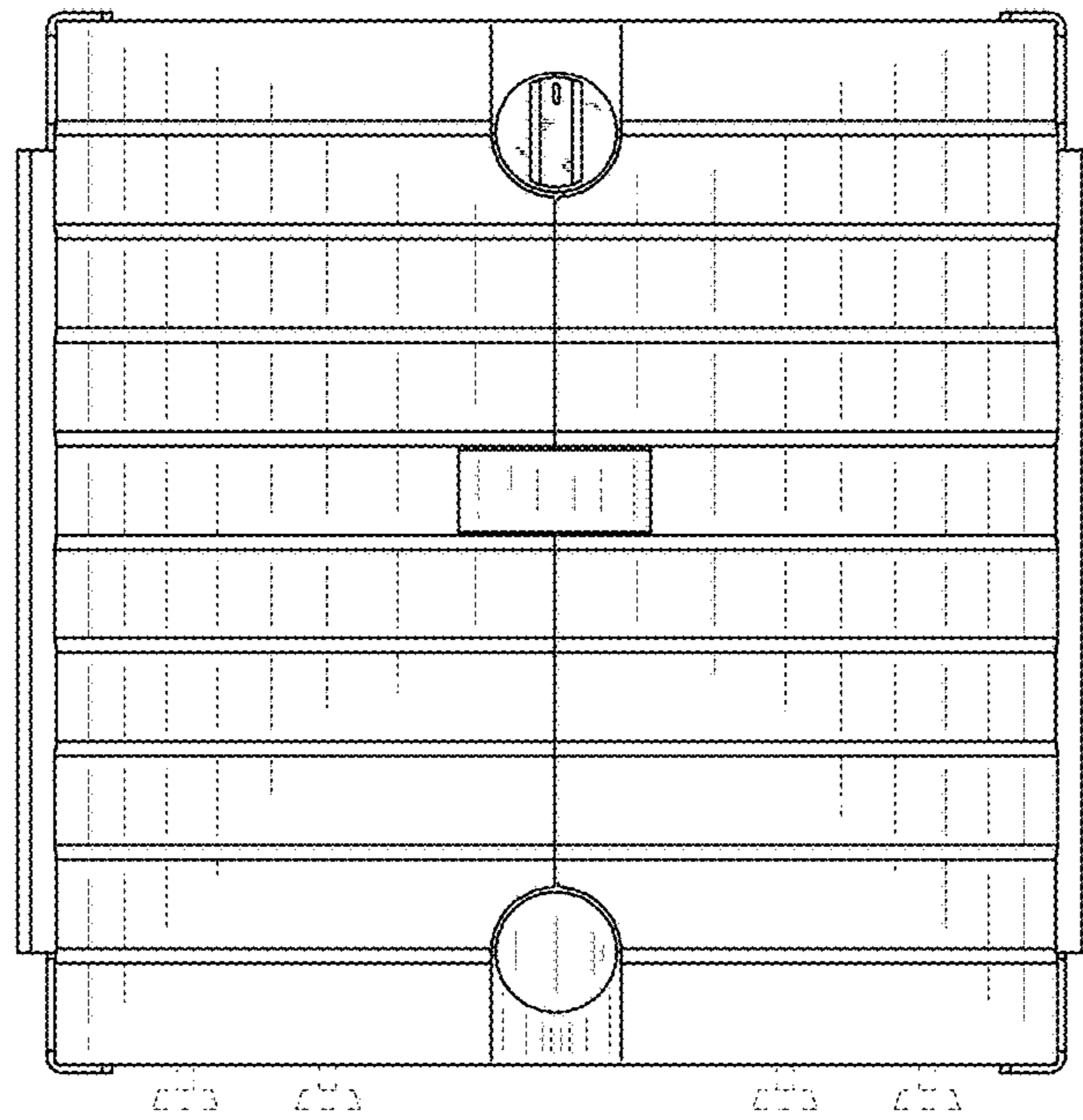


Fig. 4

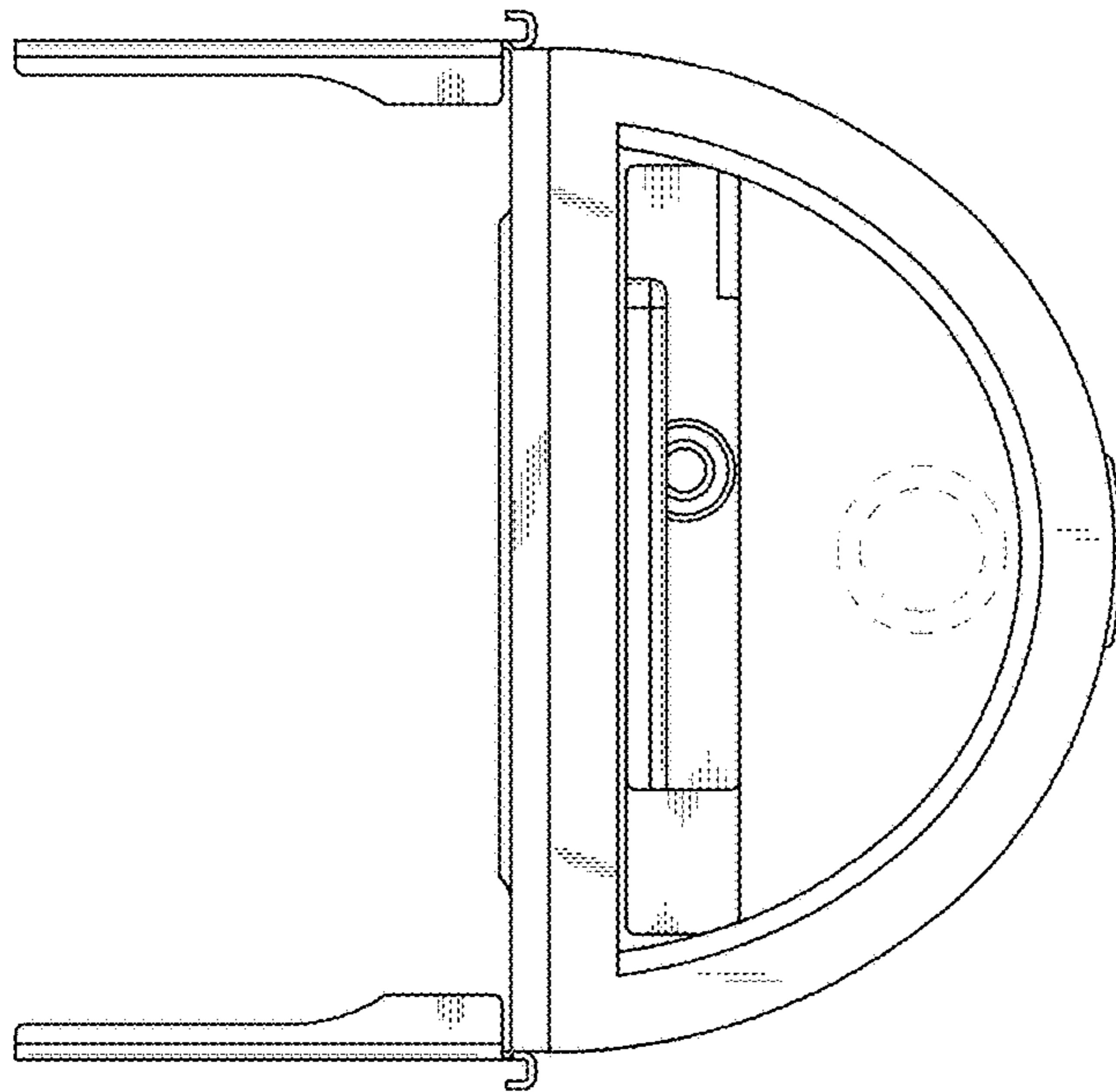


Fig. 5

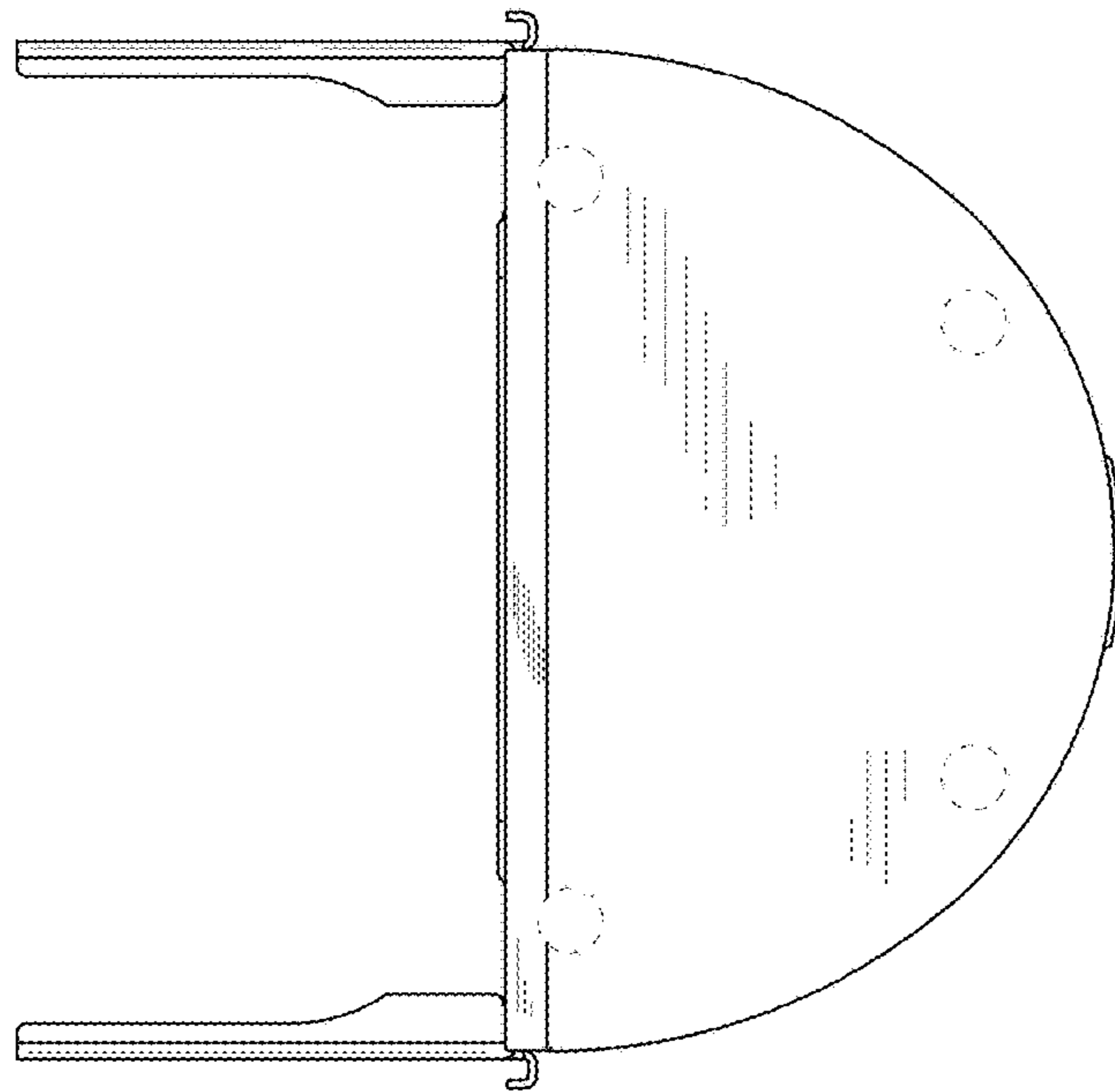


Fig. 6

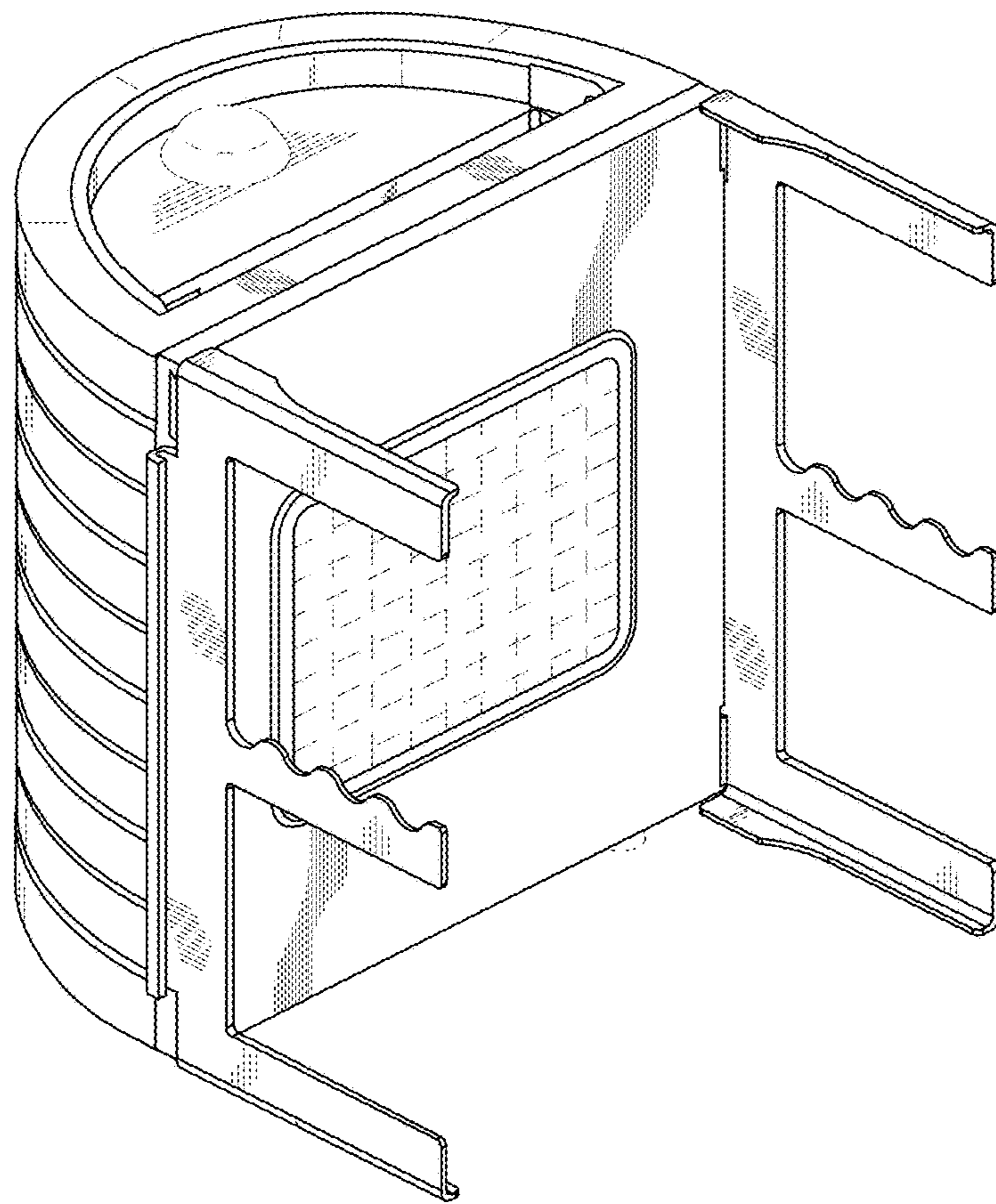


Fig. 7

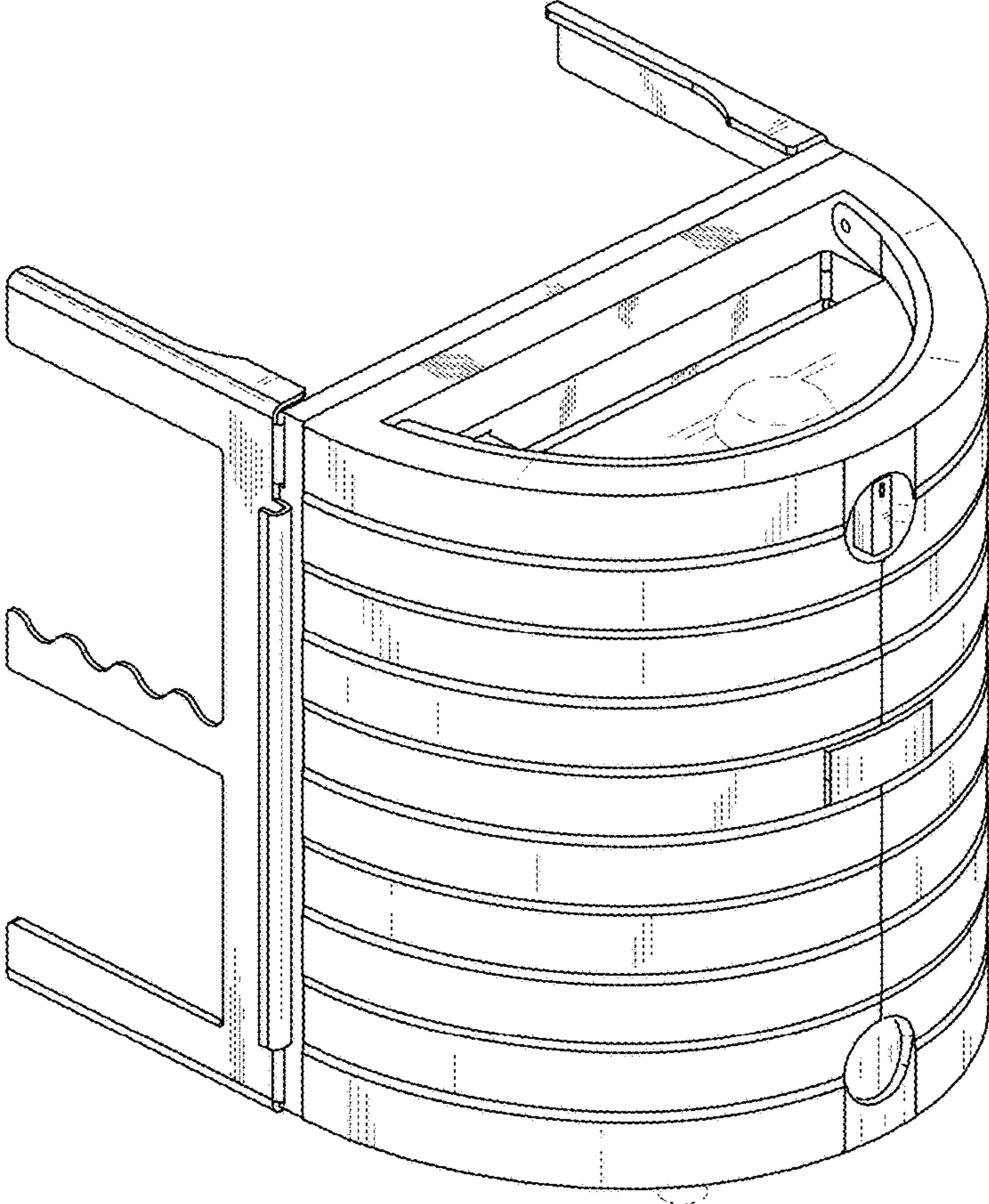


Fig. 8

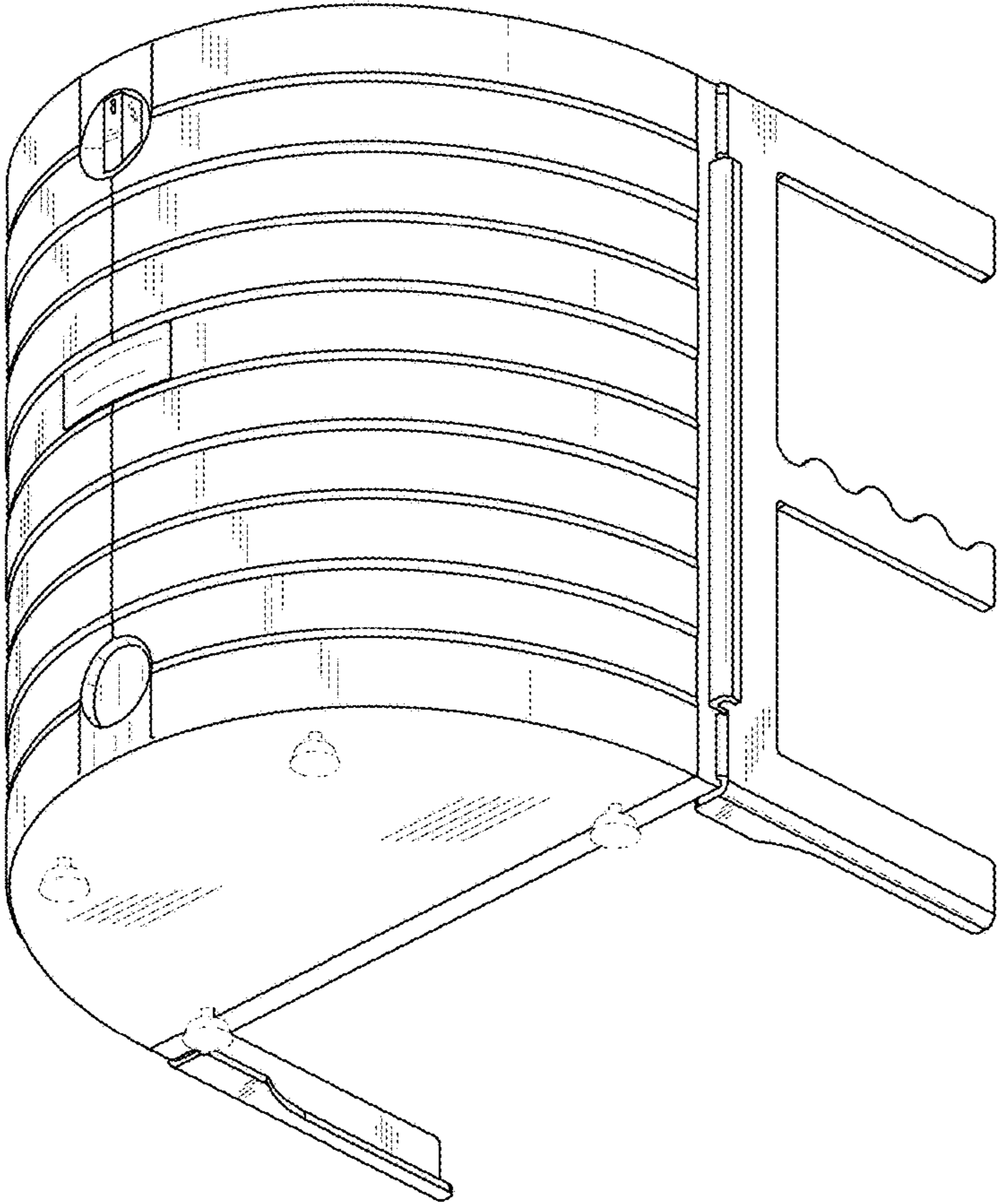


Fig. 9

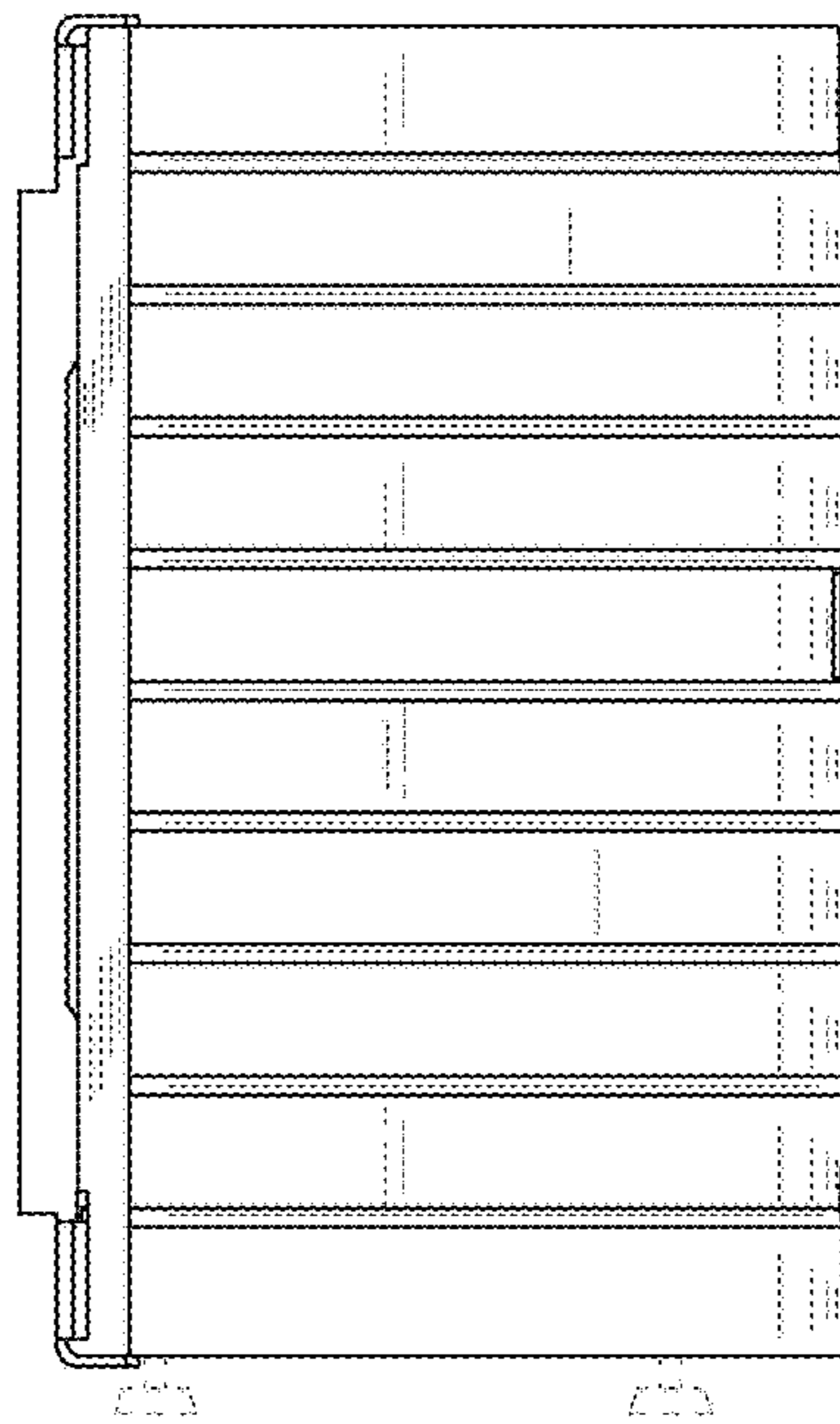


Fig. 10

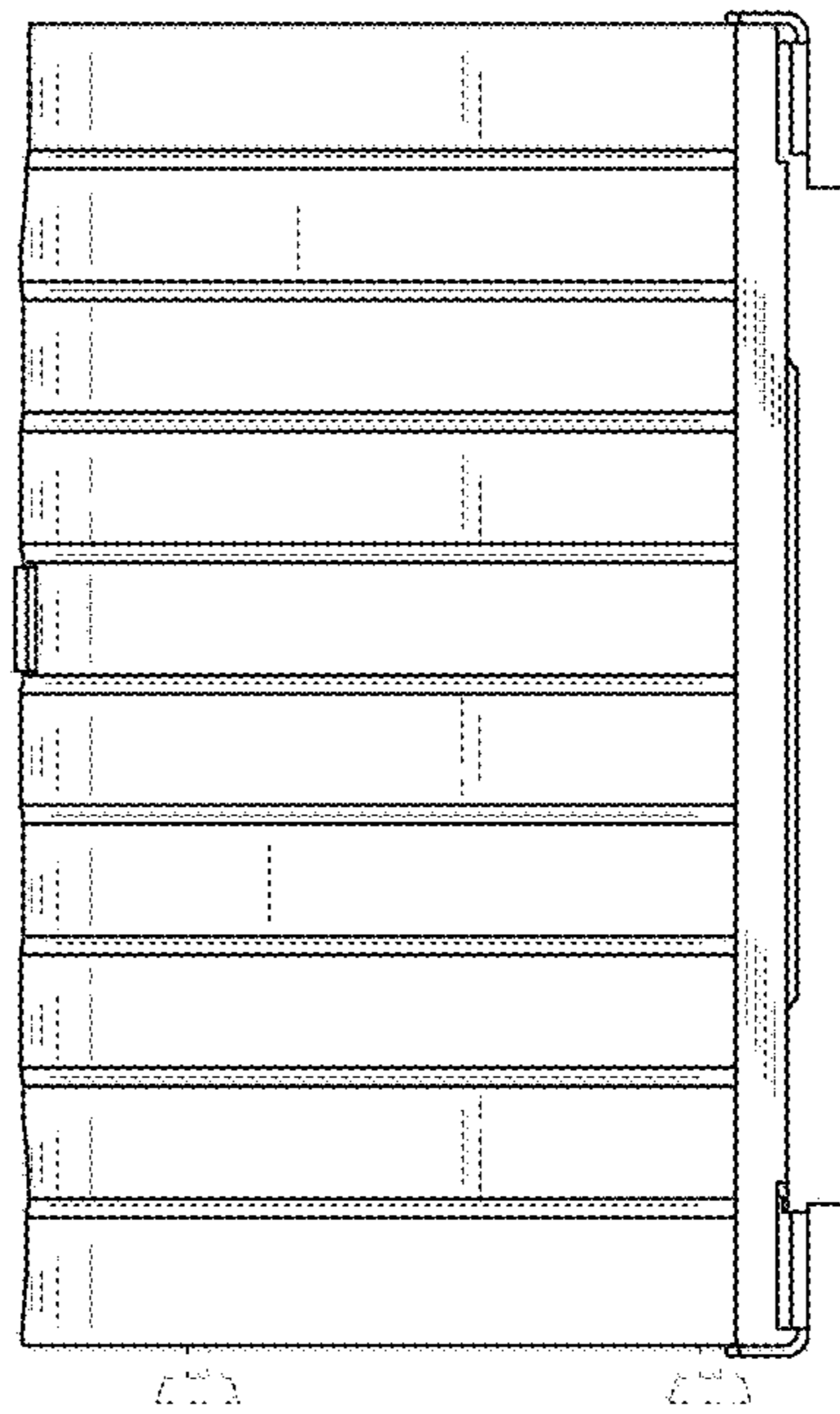


Fig. 11

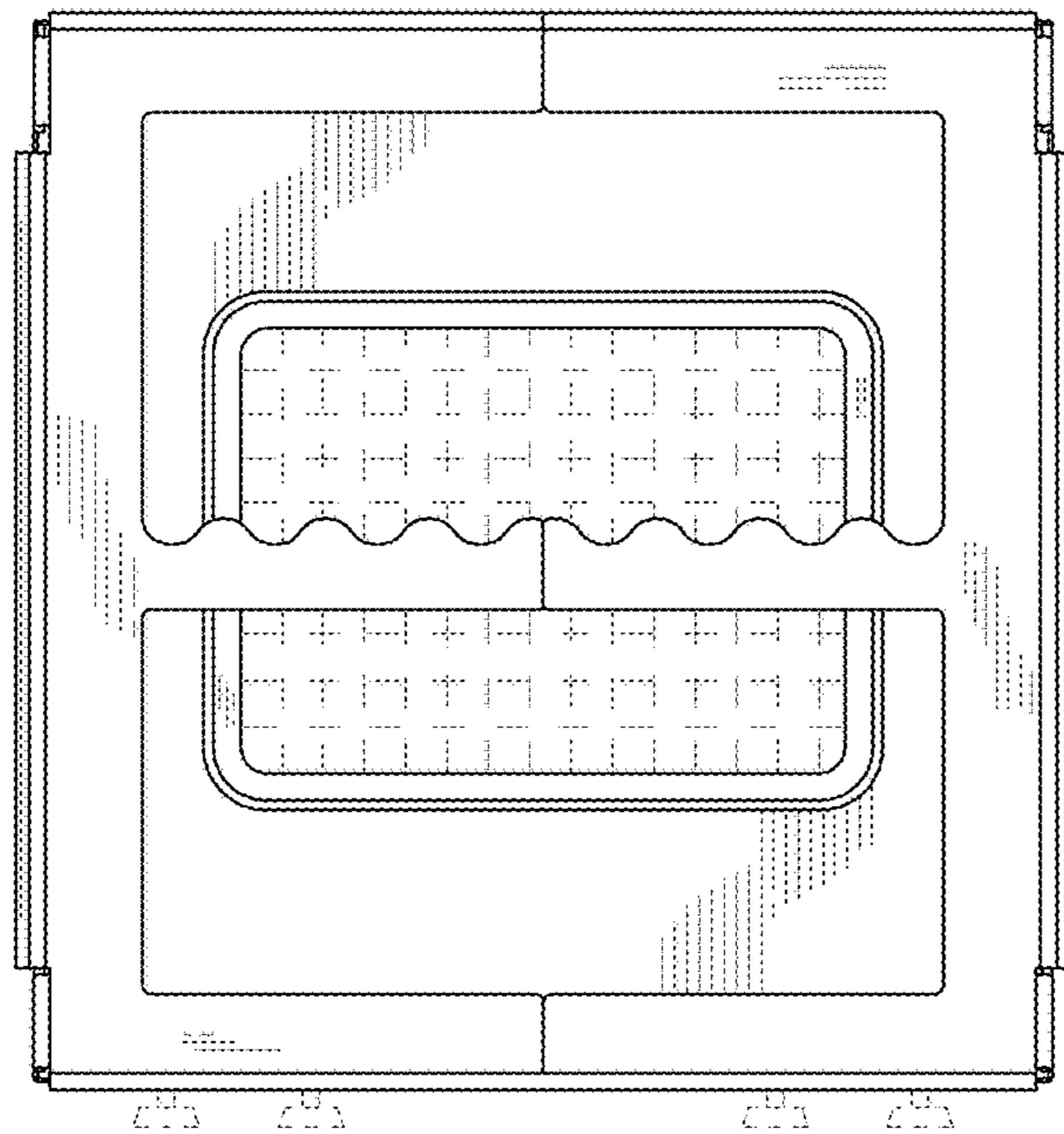


Fig. 12

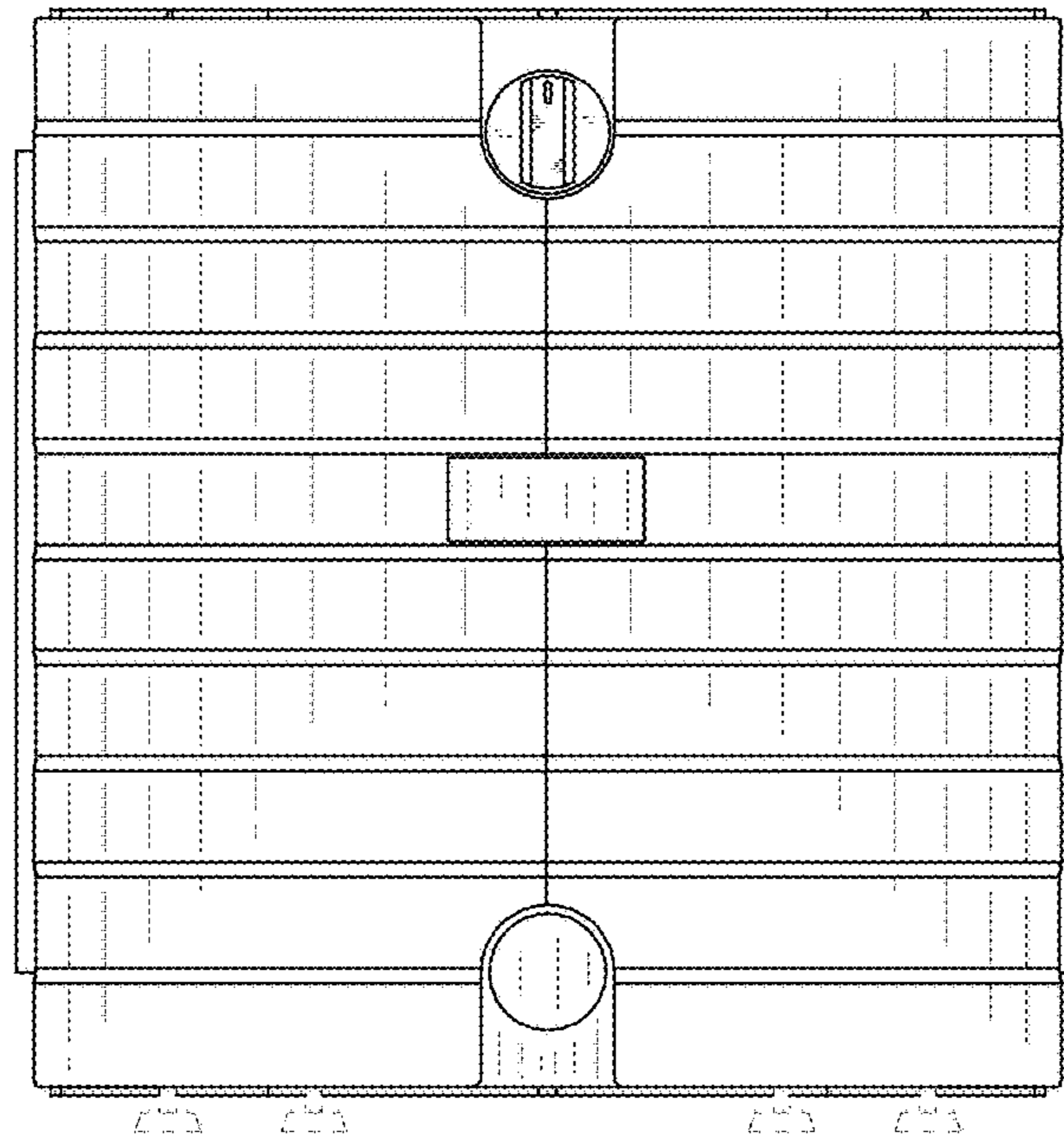


Fig. 13

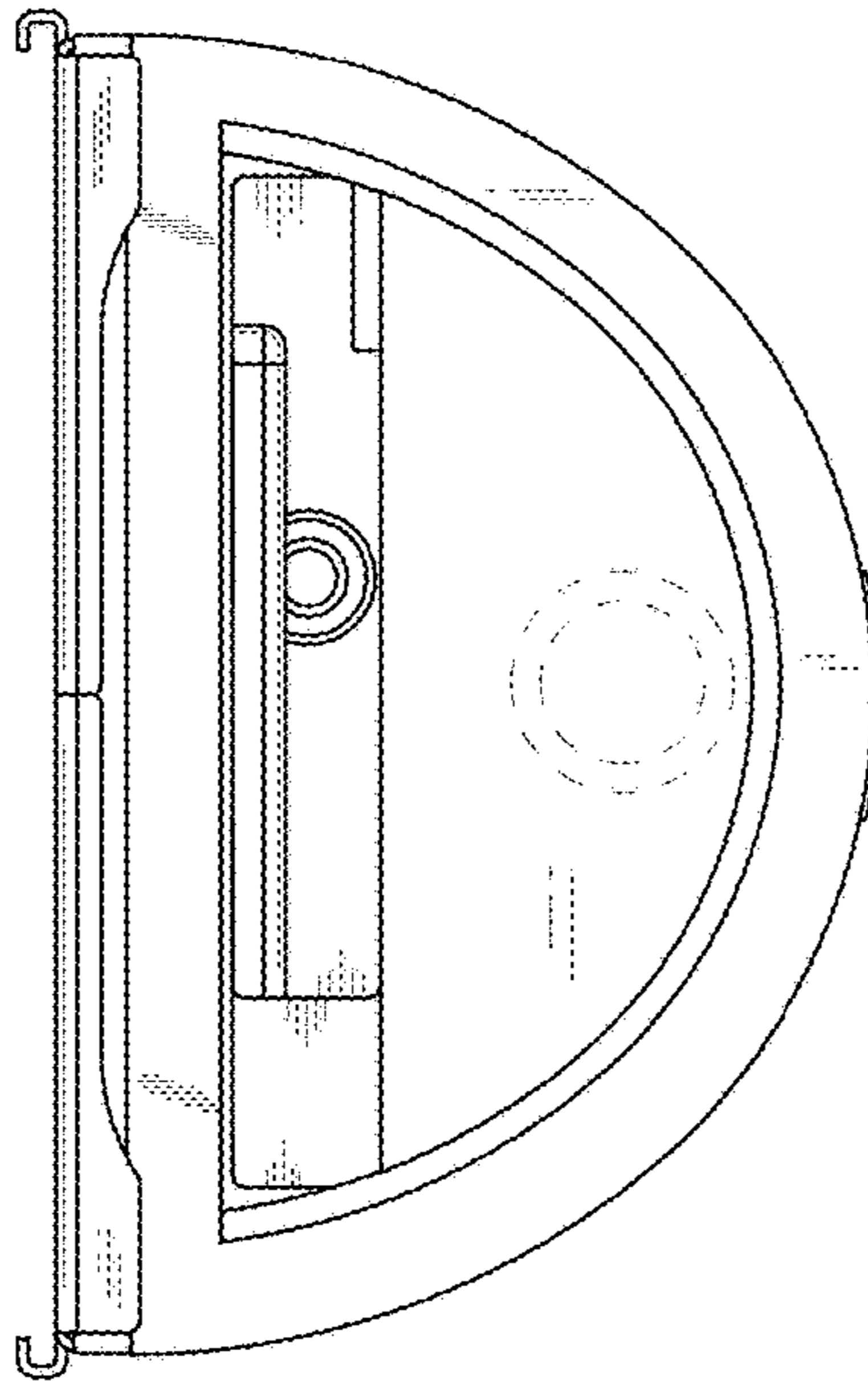


Fig. 14

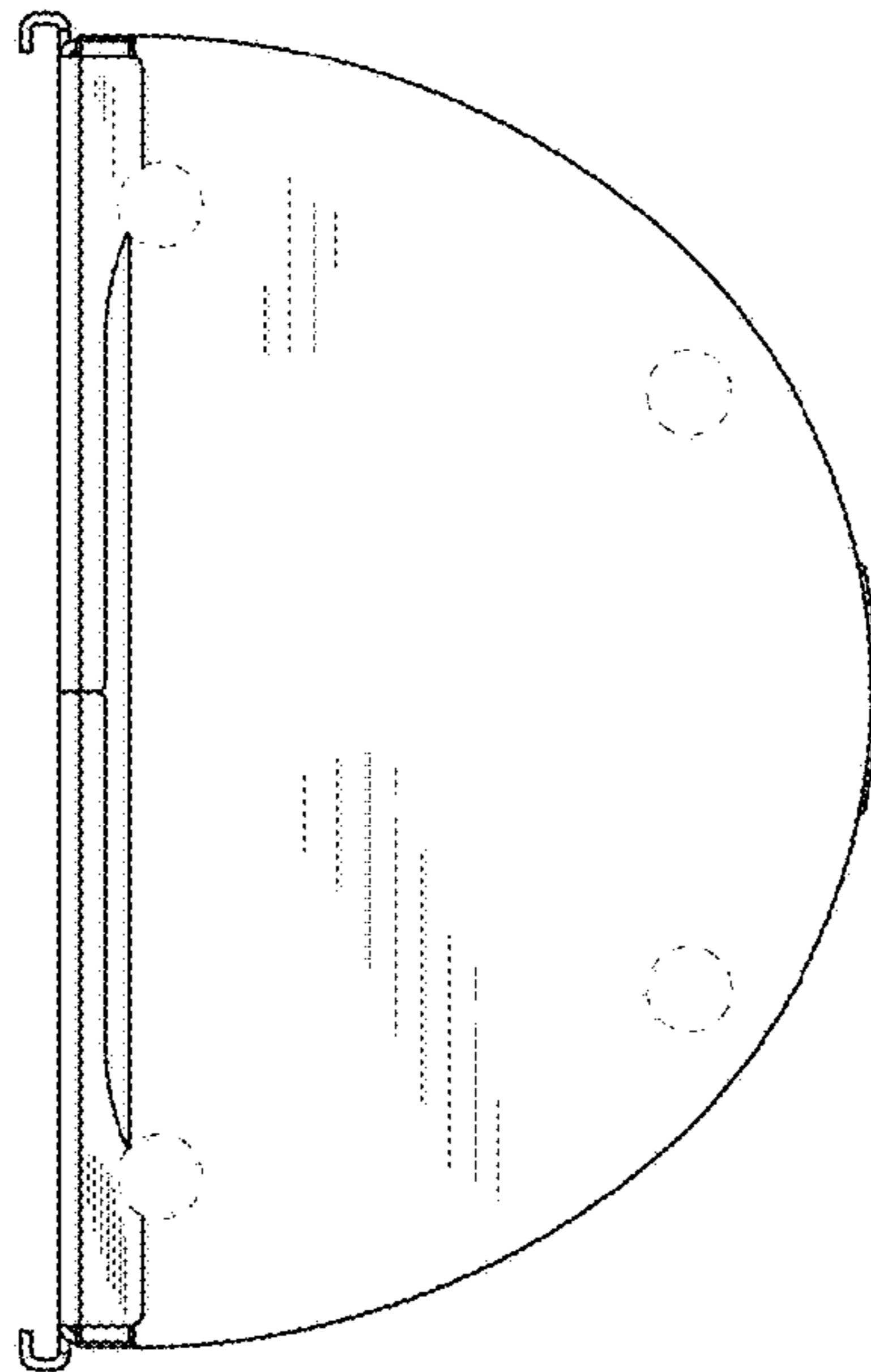


Fig. 15

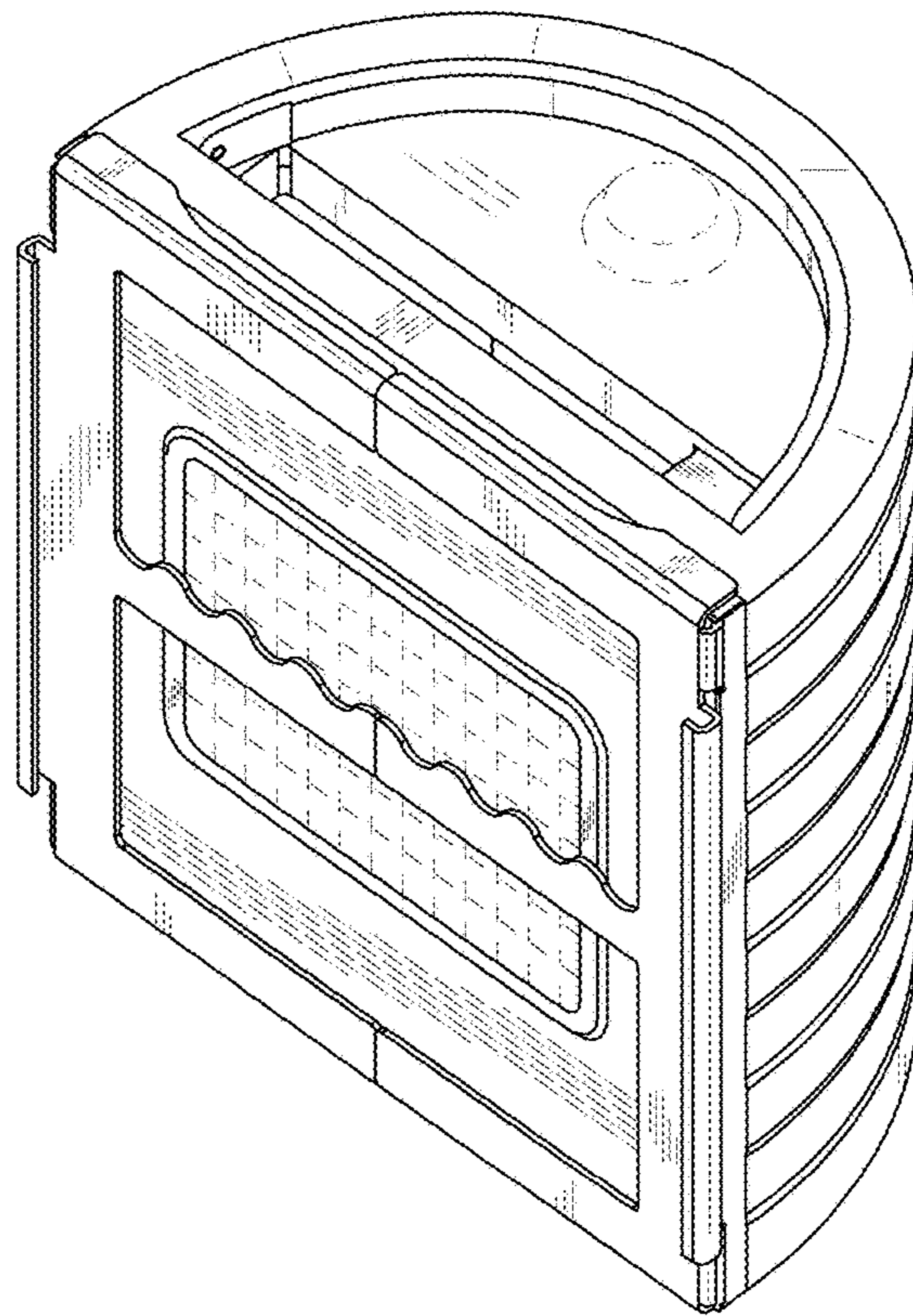


Fig. 16

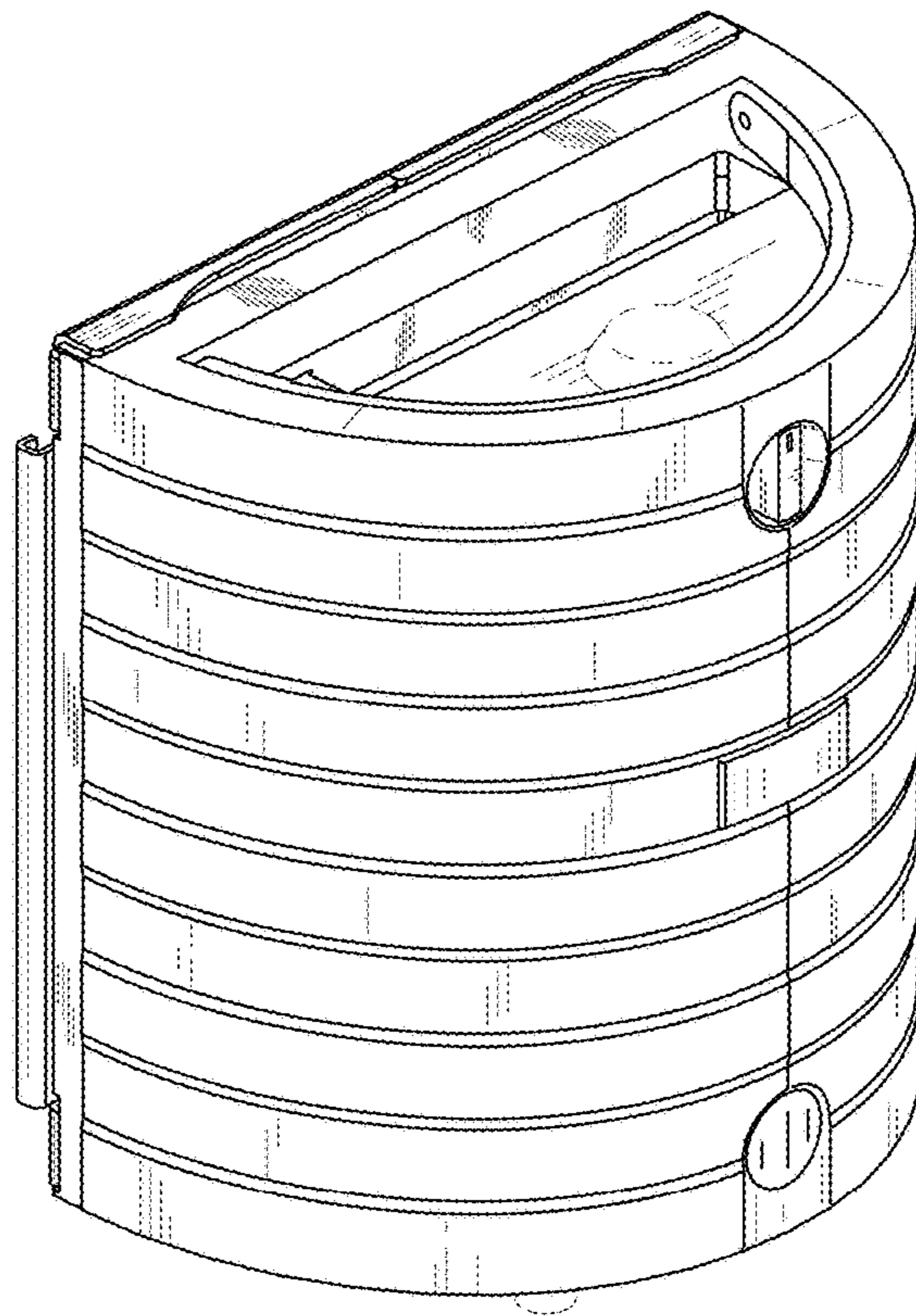


Fig. 17

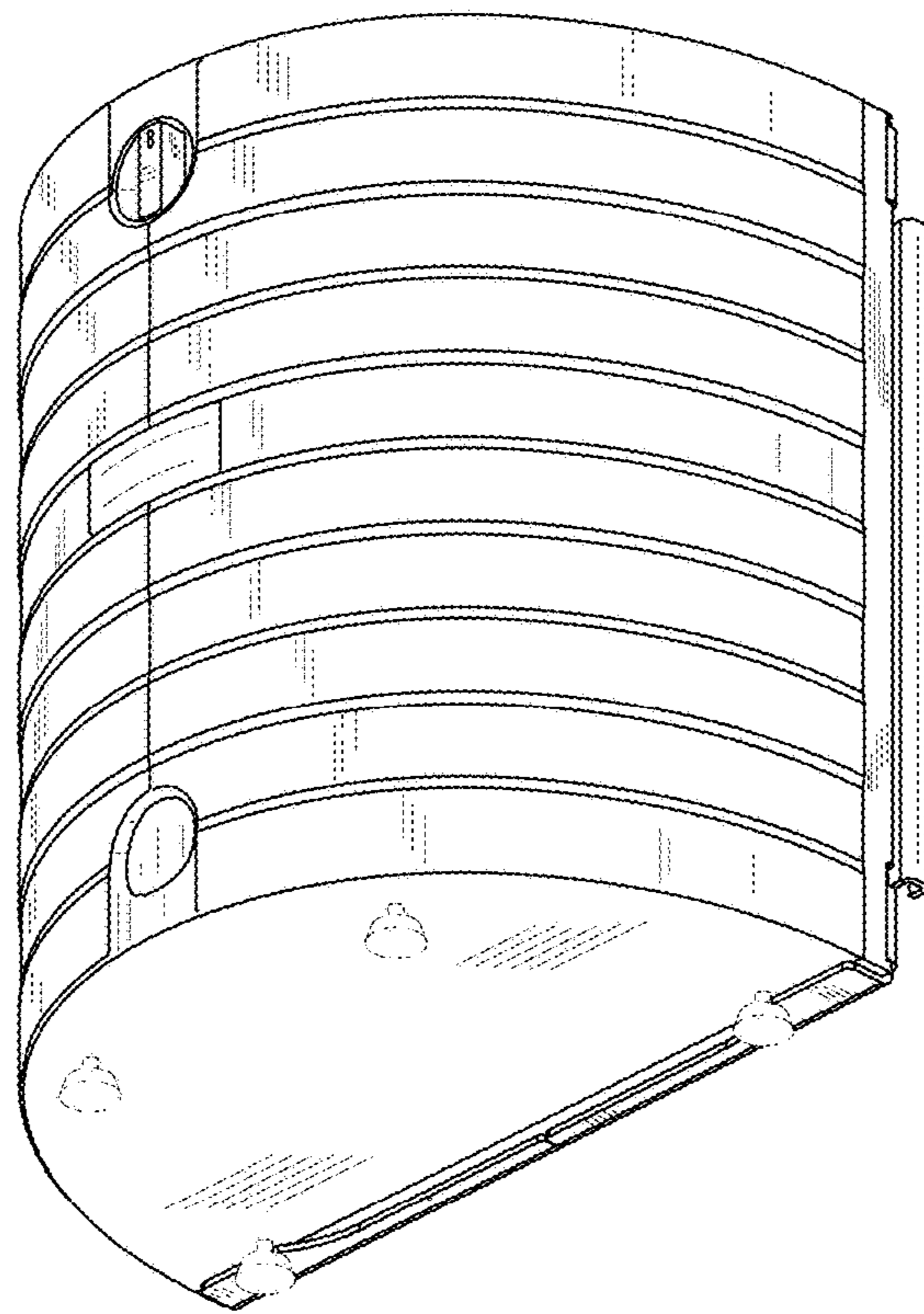


Fig. 18

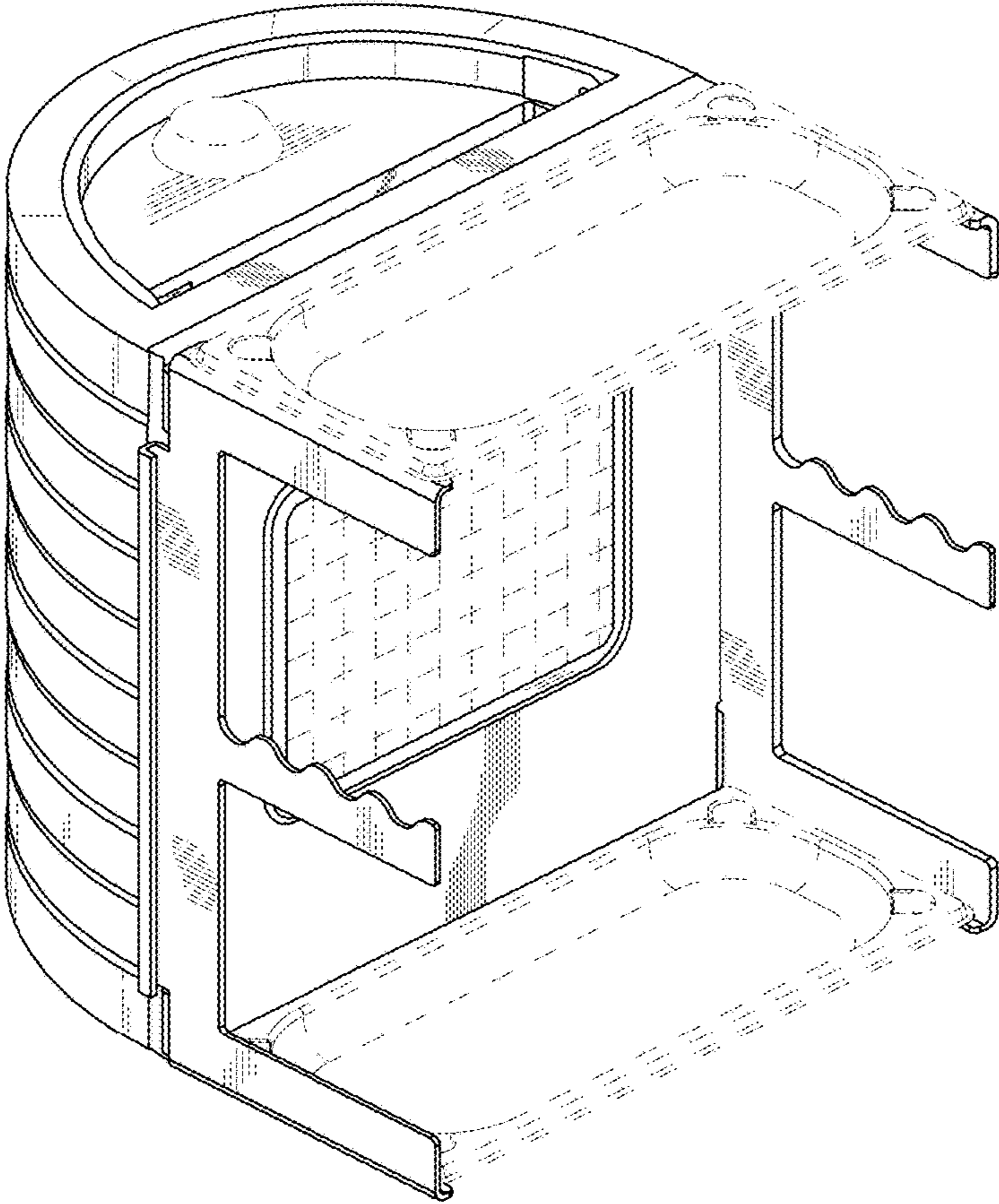


Fig. 19

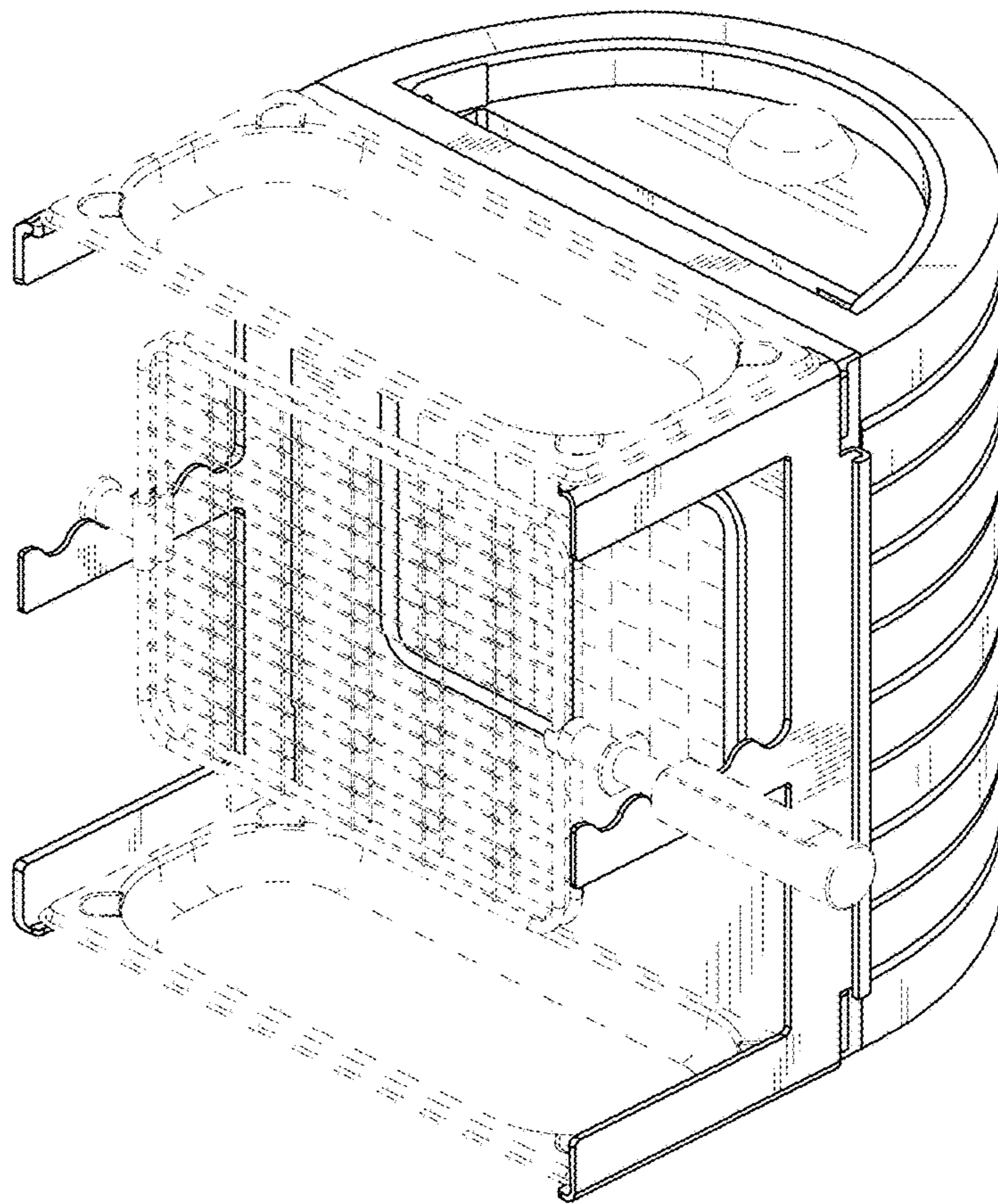


Fig. 20

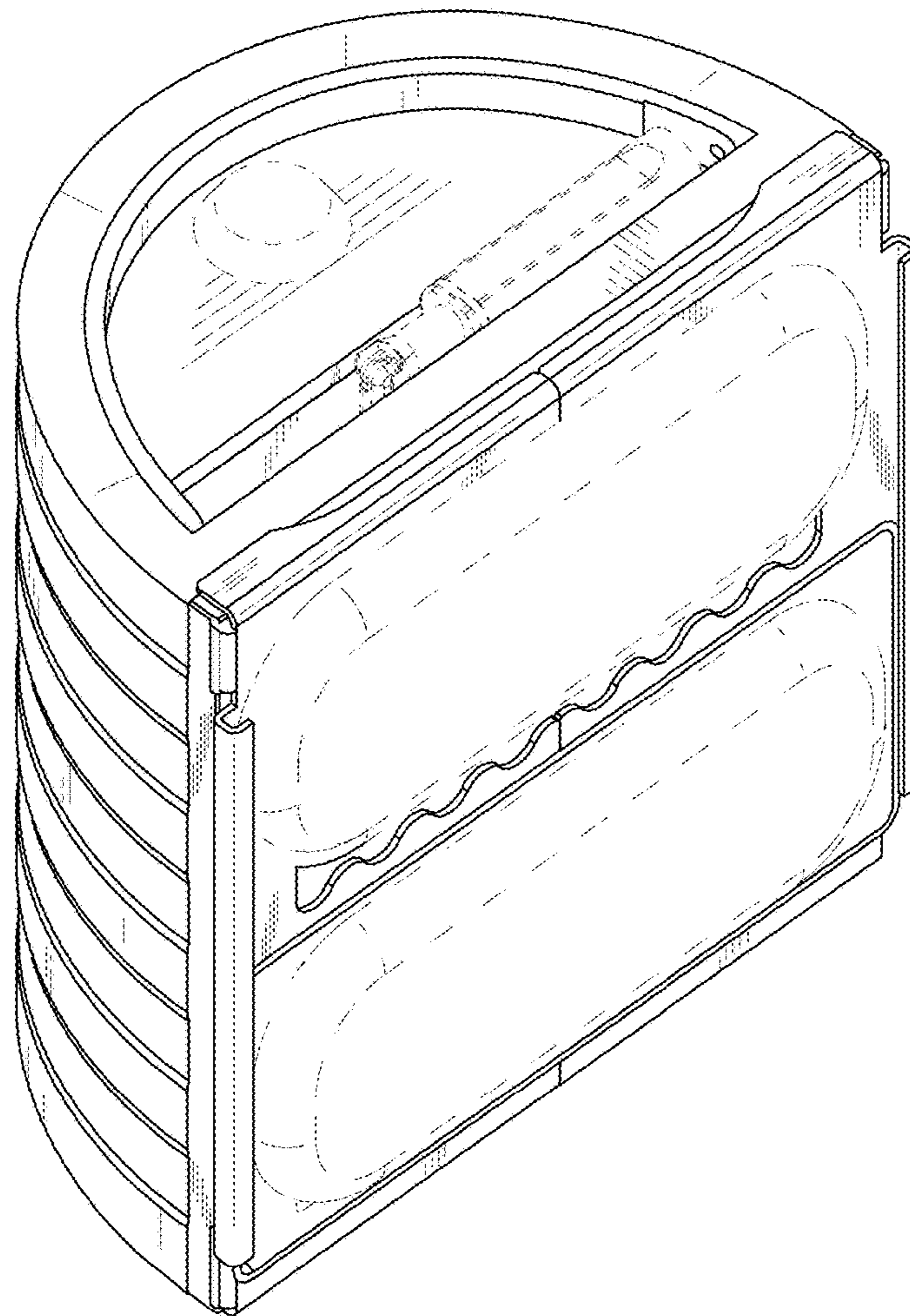


Fig. 21