



US00D855371S

(12) **United States Design Patent** (10) **Patent No.:** **US D855,371 S**
Chow et al. (45) **Date of Patent:** **** Aug. 6, 2019**

(54) **ESPRESSO MAKER**

OTHER PUBLICATIONS

- (71) Applicant: **Simposh Inc.**, San Ramon, CA (US)
- (72) Inventors: **Yim Johnny Chow**, Hong Kong (CN);
Yiu Joe Cheung, Hong Kong (CN)
- (73) Assignee: **Simposh, Inc.**, San Ramon, CA (US)
- (**) Term: **15 Years**
- (21) Appl. No.: **29/630,228**
- (22) Filed: **Dec. 20, 2017**
- (51) **LOC (12) Cl.** **07-99**
- (52) **U.S. Cl.**
USPC **D7/318; D7/510**
- (58) **Field of Classification Search**
USPC D7/400, 399, 397, 507, 536, 510, 511,
D7/317, 318, 319, 608, 309; D9/429;
210/481; 99/289 D, 323
CPC A47J 31/02; A47J 31/0631; A47J 31/005;
A47G 19/00; B65D 85/808
See application file for complete search history.

Nanopresso by Wacaco—Downloaded on Jun. 1, 2018 from <https://www.wacaco.com/pages/nanopresso>.
 Minipresso by Wacaco—Downloaded on Jun. 1, 2018 from <https://www.wacaco.com/pages/minipresso-gr>.
 Staresso—Downloaded on Jun. 1, 2018 from <http://www.staresso.com/zh>.
 Espresso Maker Google Image Search—Downloaded on Jun. 1, 2018 from https://www.google.com/search?tbm=isch&q=compact+mechanical+non-electric+portable+lever+espresso+maker&backchip=online_chips:pump&chips=q:compact+mechanical+non+electric+portable+lever+espresso+maker,online_chips>manual+espresso&sa=X&ved=0ahUKEwjvyrjVi7PbAhVKsFQKHSucDwAQ4VYIJigB&biw=1777&bih=852&dpr=0.9.
 Leverpresso—Downloaded on Jun. 1, 2018 from <https://www.kickstarter.com/projects/1933003280/leverpresso-the-smallest-portable-lever-espresso-m>.

* cited by examiner

Primary Examiner — Marianne N Pandozzi

(57) **CLAIM**

The ornamental design for an espresso maker, as shown and described.

(56) **References Cited**

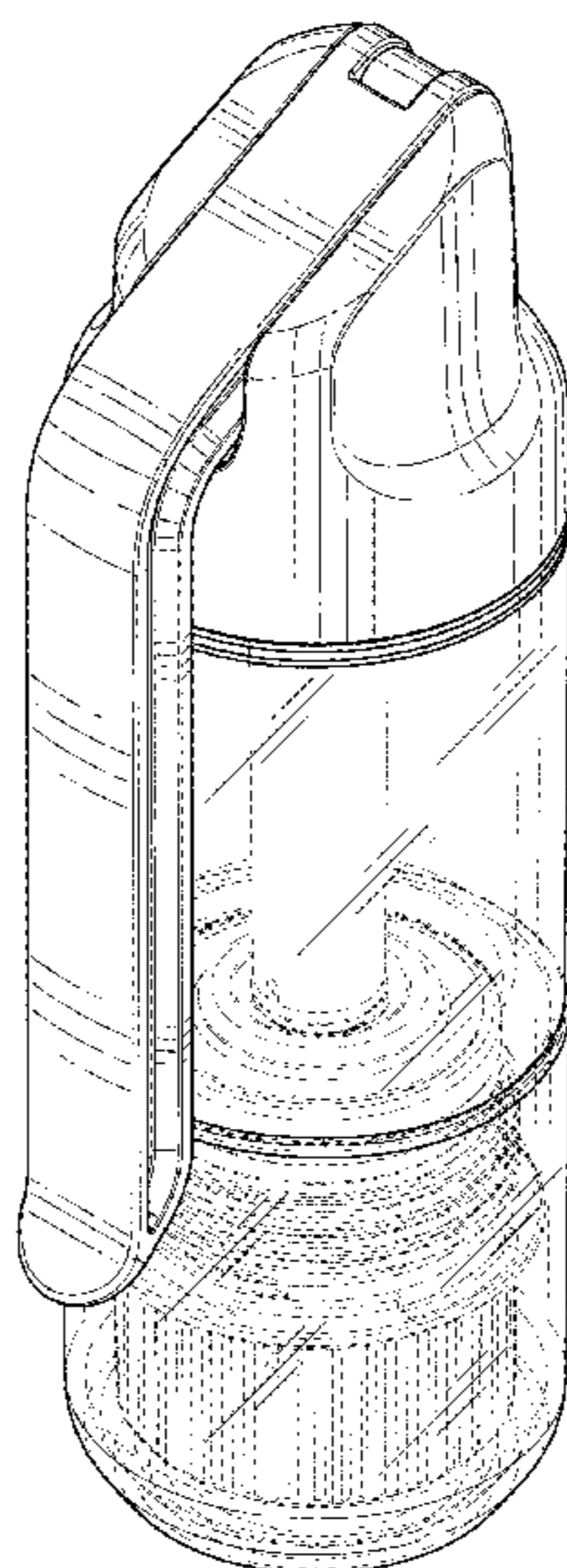
U.S. PATENT DOCUMENTS

- D311,298 S * 10/1990 Mollenhoff D7/300
- 6,062,127 A * 5/2000 Klosinski A47J 31/005
99/295
- D488,340 S * 4/2004 Zimmermann D7/317
- D658,448 S * 5/2012 Ying D7/608
- 8,467,670 B2 * 6/2013 Baston A47J 31/106
392/444
- D723,331 S * 3/2015 Lapsker D7/510
- D729,579 S * 5/2015 Molayem D7/507
- 9,668,607 B2 * 6/2017 Bruinsma A47J 31/44
- 9,974,400 B2 * 5/2018 Zuber A47G 9/1063
- D823,034 S * 7/2018 Cailleton D7/300
- D828,093 S * 9/2018 Chitayat D7/507
- D833,794 S * 11/2018 Cuffaro D7/317

DESCRIPTION

FIG. 1 is a top, first side, and back perspective view of an espresso maker embodying the new design;
 FIG. 2 is a bottom, first side, and back perspective view thereof;
 FIG. 3 is a front view thereof;
 FIG. 4 is a back view thereof;
 FIG. 5 is a second side view thereof, the first side view being a mirror image;
 FIG. 6 is a top view thereof; and,
 FIG. 7 is a bottom view thereof.

1 Claim, 6 Drawing Sheets



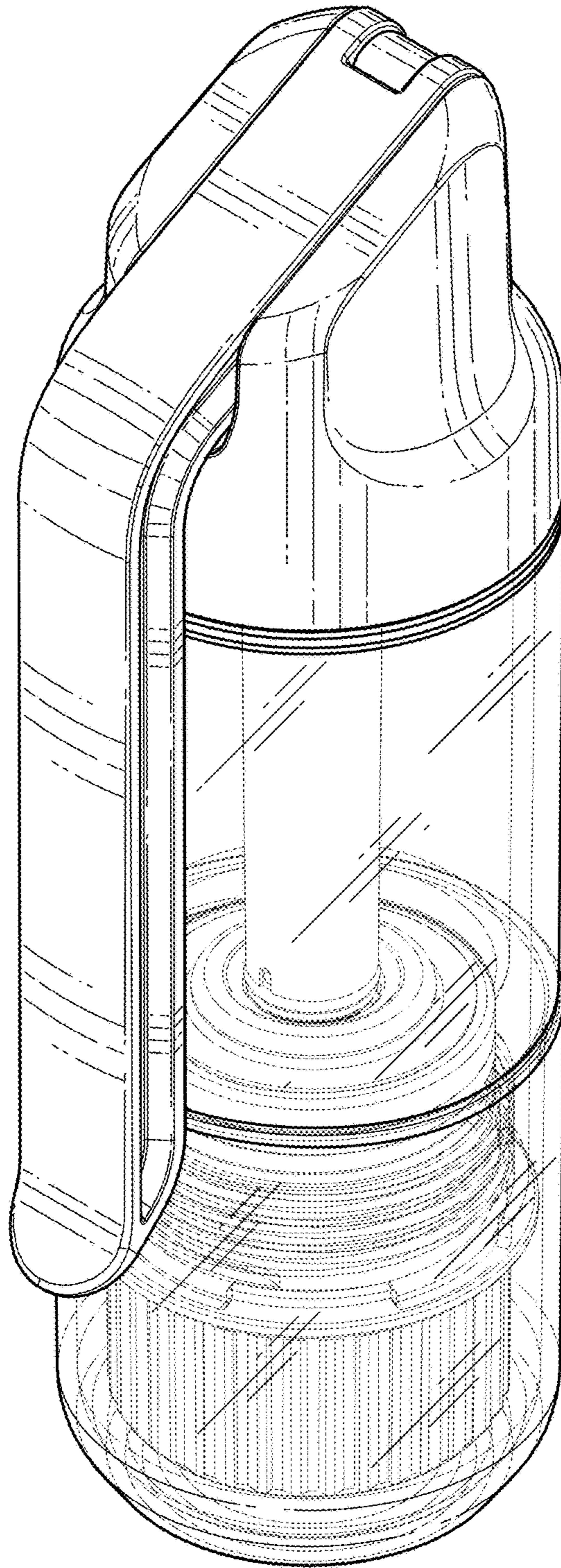


FIG. 1

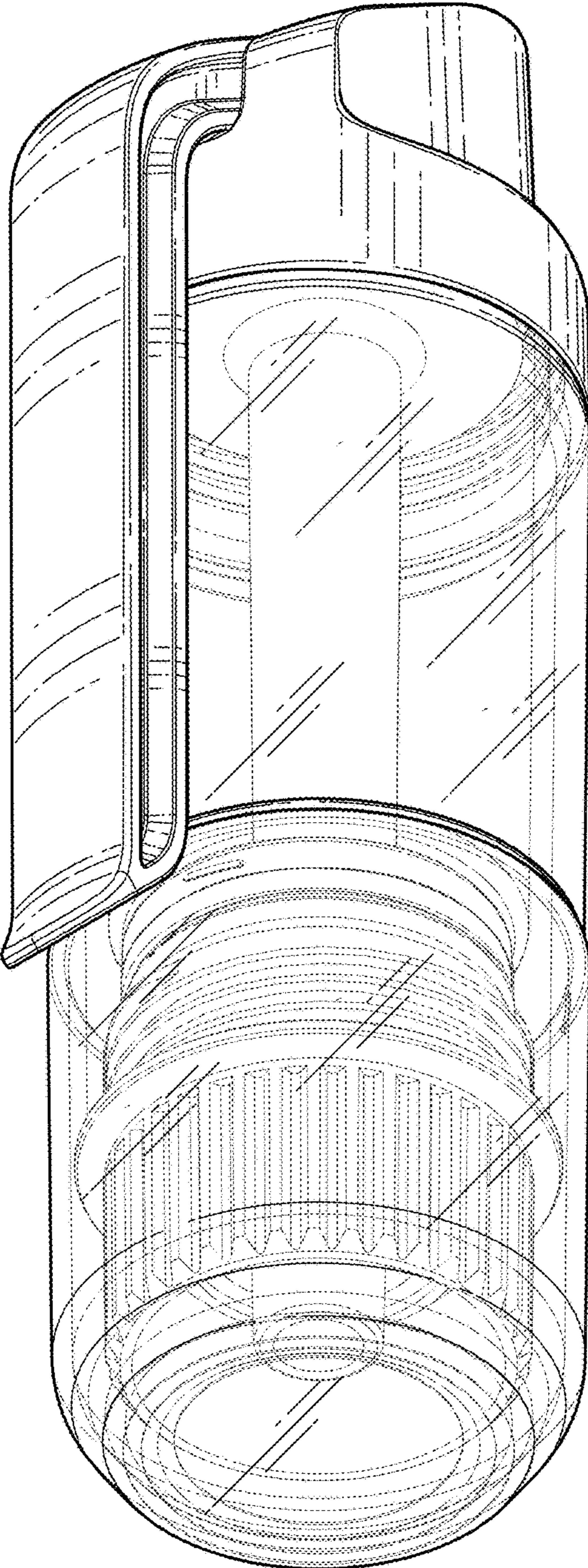


FIG. 2

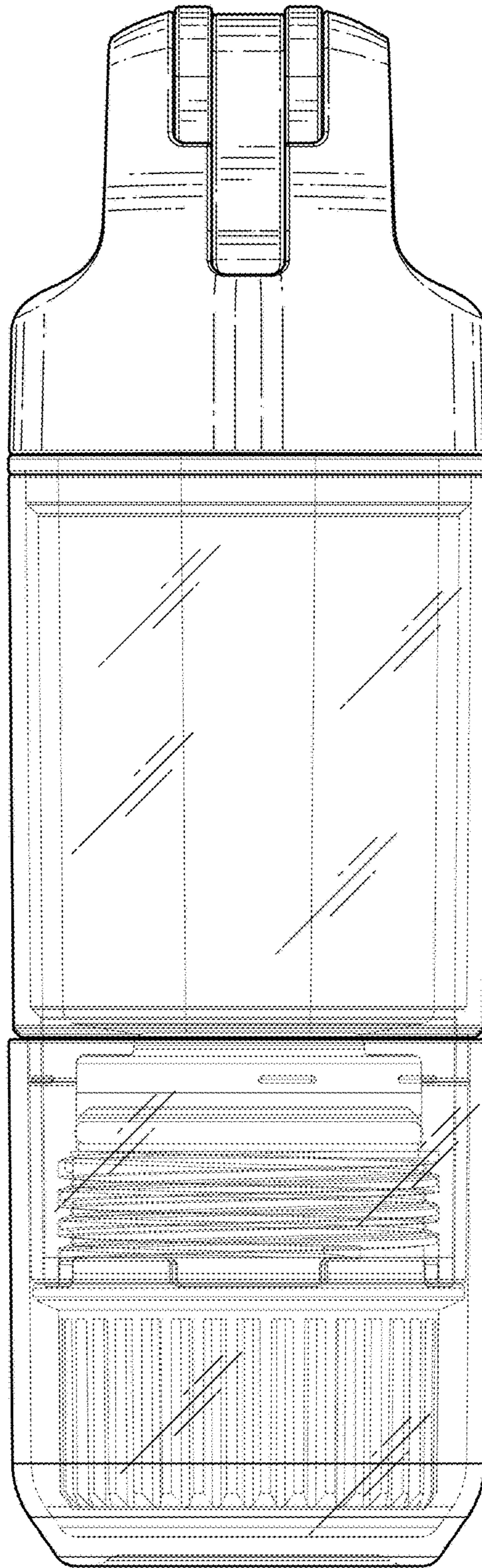


FIG. 3

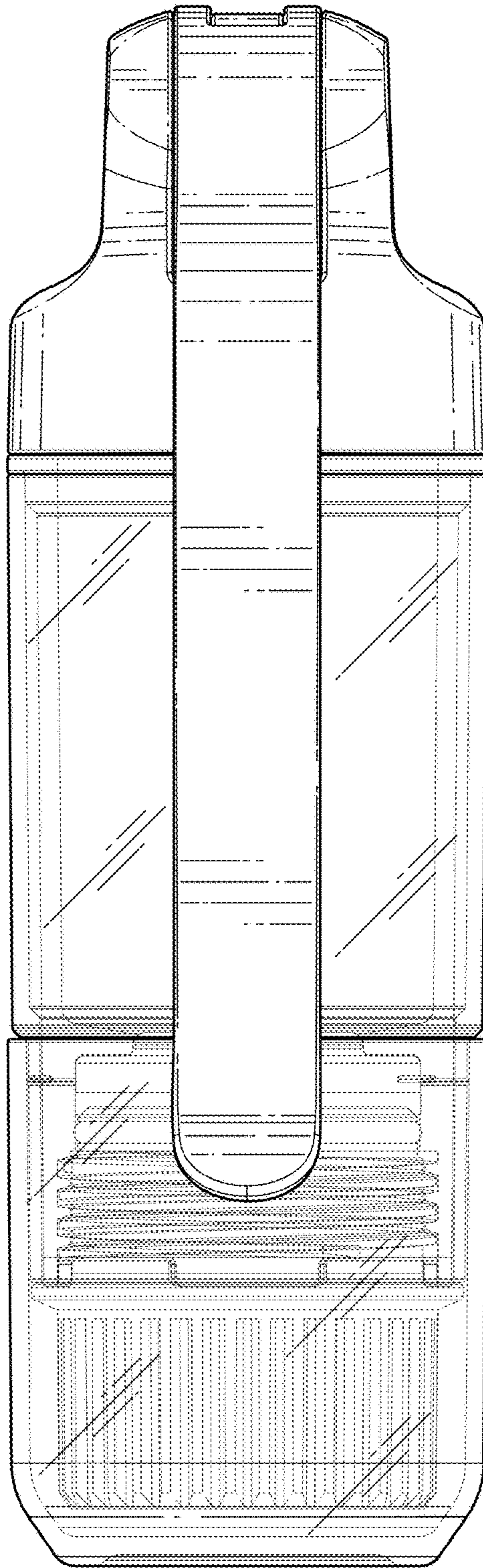


FIG. 4

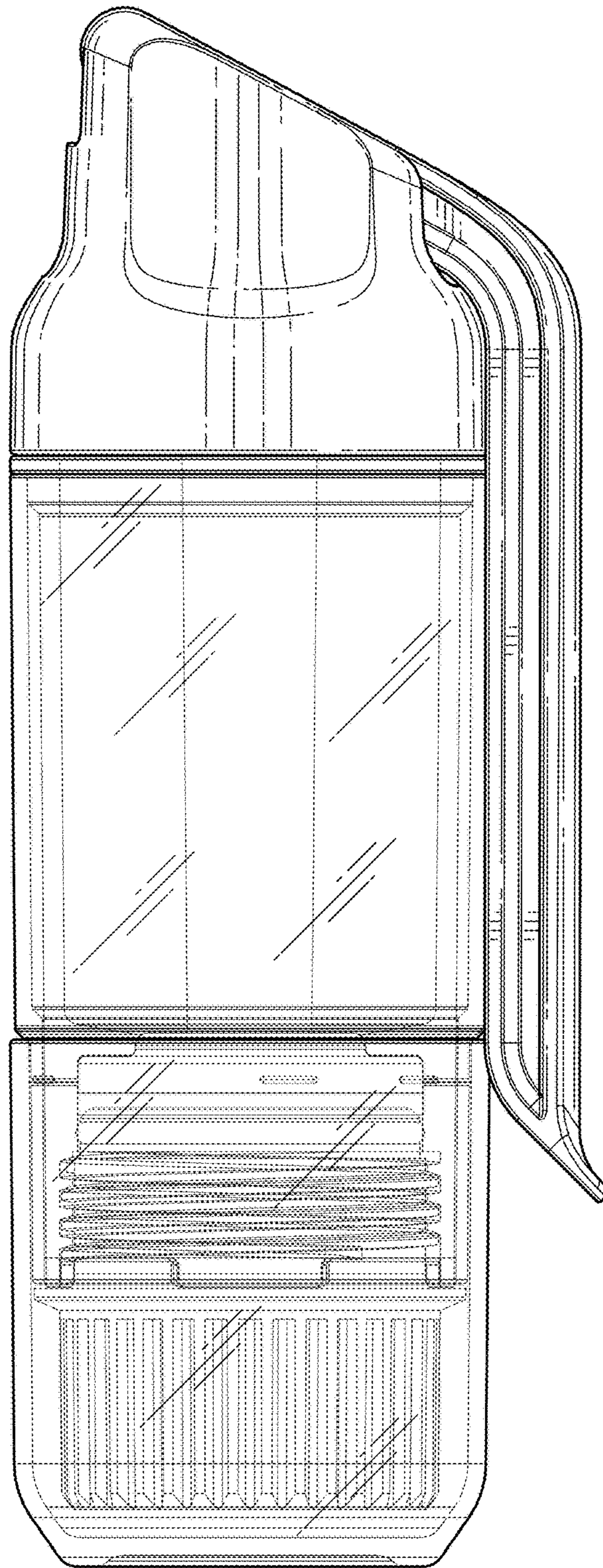


FIG. 5

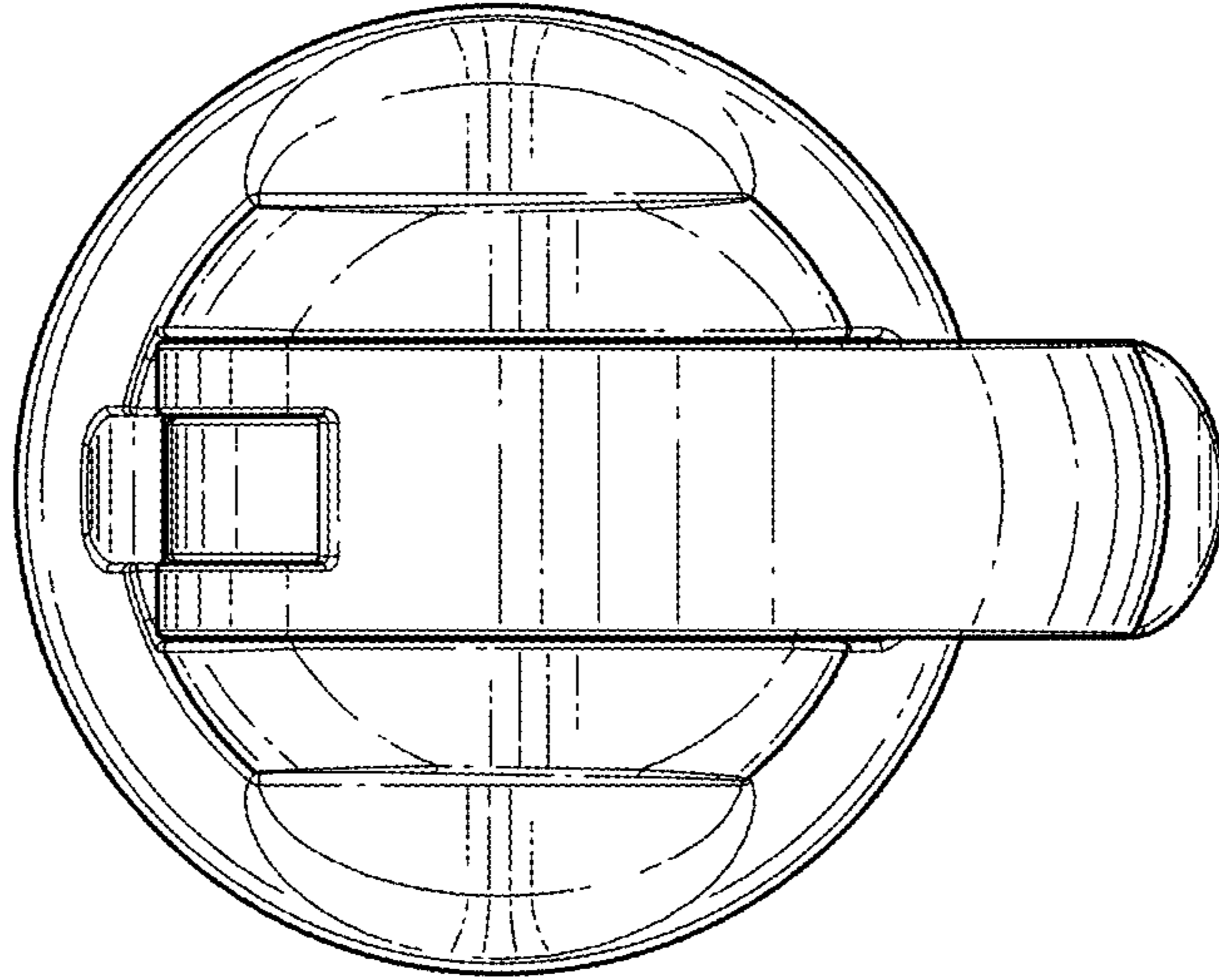


FIG. 6

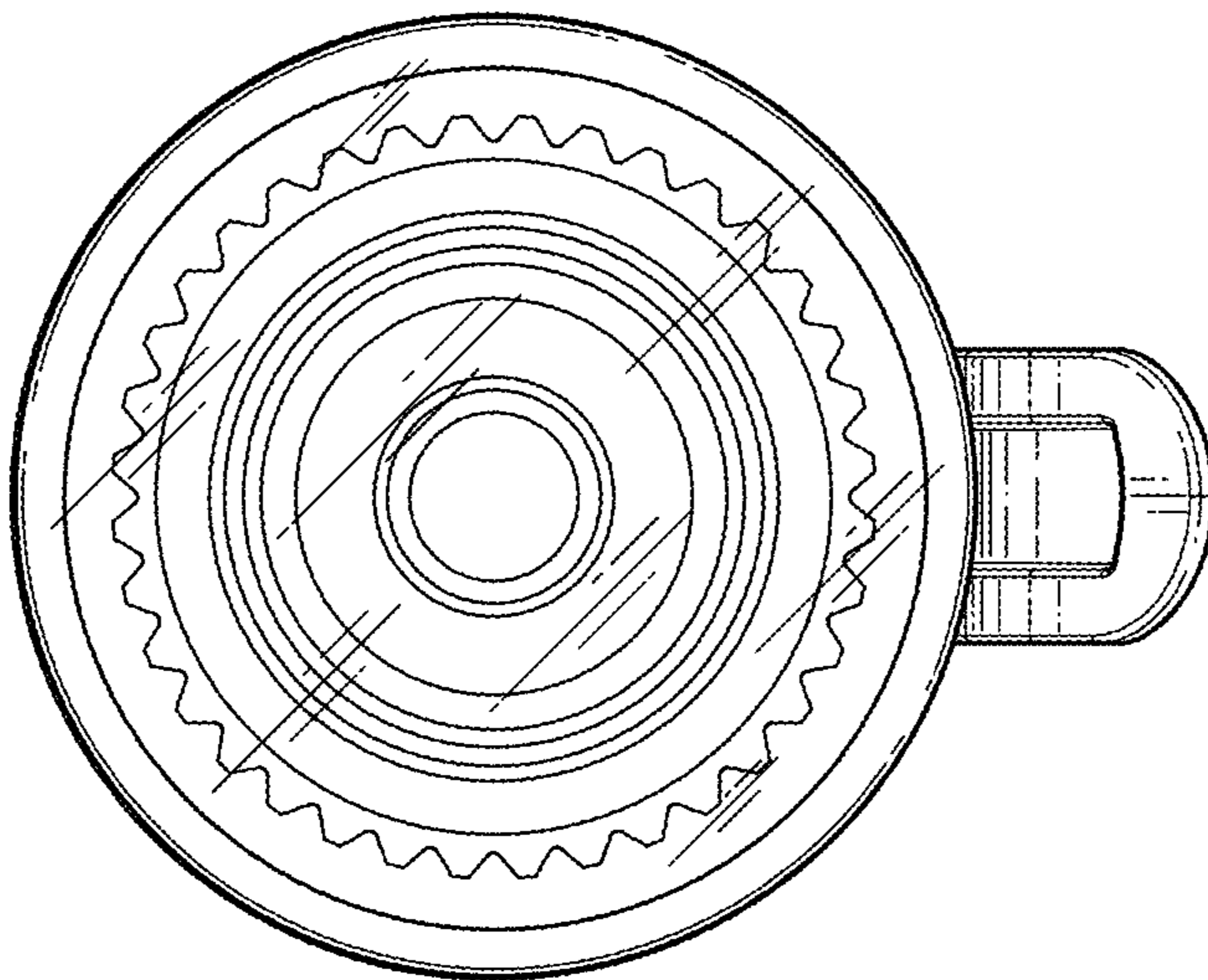


FIG. 7