



US00D855370S

(12) **United States Design Patent**
Torgersen

(10) **Patent No.:** **US D855,370 S**

(45) **Date of Patent:** **** Aug. 6, 2019**

(54) **BEVERAGE CARTRIDGE**

(71) Applicant: **E. & J. Gallo Winery**, Modesto, CA
(US)

(72) Inventor: **John Torgersen**, Modesto, CA (US)

(73) Assignee: **E. & J. Gallo Winery**, Modesto, CA
(US)

(**) Term: **15 Years**

(21) Appl. No.: **29/612,172**

(22) Filed: **Jul. 28, 2017**

(51) **LOC (12) Cl.** **07-01**

(52) **U.S. Cl.**
USPC **D7/313; D7/312; D7/306**

(58) **Field of Classification Search**
USPC D7/300, 312, 313, 306, 512, 307, 308;
220/666
CPC B65D 21/086; A61J 1/05
See application file for complete search history.

(56) **References Cited**

U.S. PATENT DOCUMENTS

D136,370 S * 9/1943 Norris D7/307
D300,593 S * 4/1989 Eldridge D6/569

D482,229 S * 11/2003 Essig D7/306
D552,401 S * 10/2007 Picozza D7/306
D610,856 S * 3/2010 Hoffman D7/306
D696,887 S * 1/2014 Minica D7/306
D702,476 S * 4/2014 Minica B67D 1/0085
D789,132 S * 6/2017 Roberts D7/306
D795,628 S * 8/2017 Roberts D6/542
D796,243 S * 9/2017 Roberts D6/542
D803,612 S * 11/2017 Roberts D7/313
D815,481 S * 4/2018 Byun D7/309
Wendt D7/306

* cited by examiner

Primary Examiner — Marianne N Pandozzi

(74) *Attorney, Agent, or Firm* — Goodwin Procter LLP

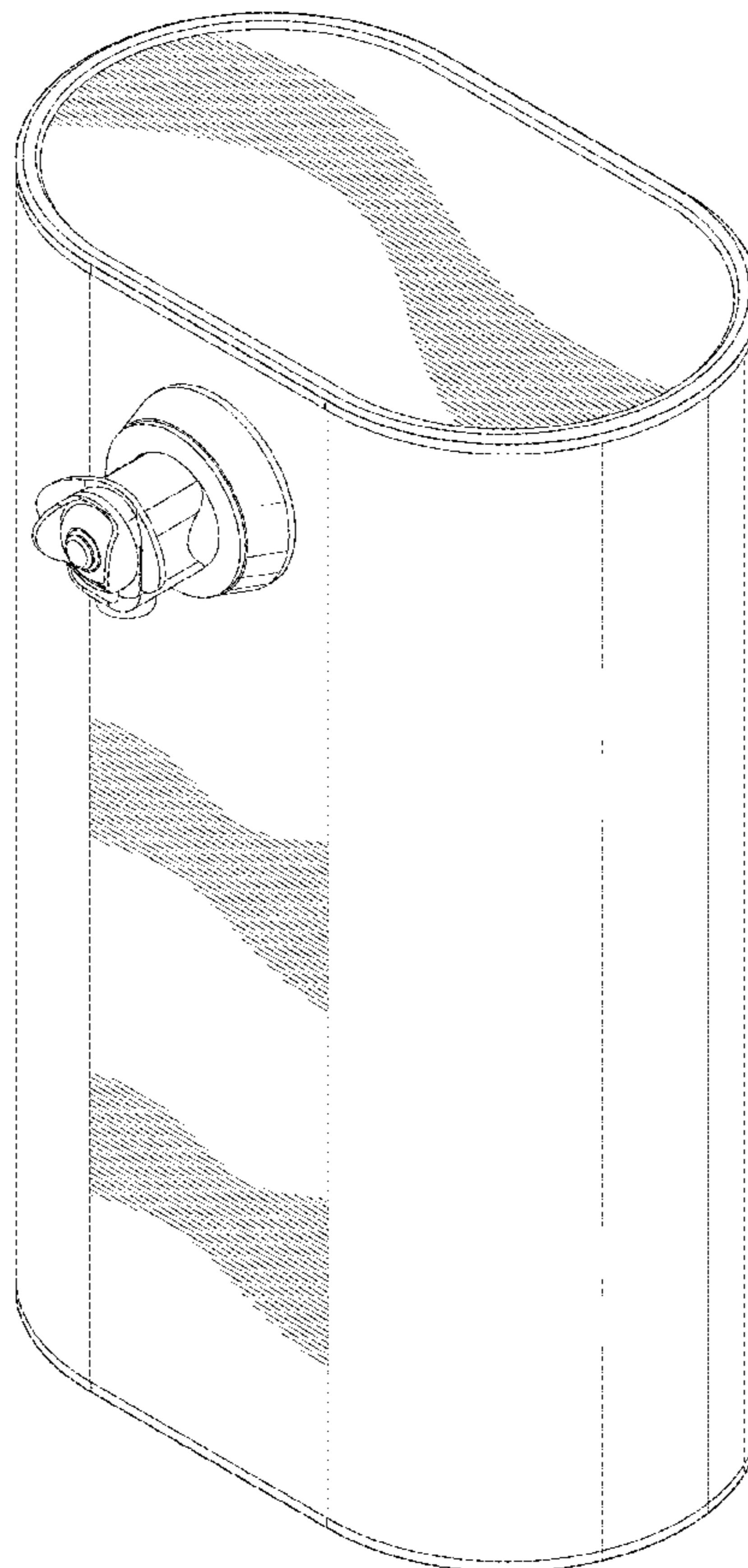
(57) **CLAIM**

I claim the ornamental design for a beverage cartridge, as shown and described.

DESCRIPTION

FIG. 1 is a perspective view of a beverage cartridge;
FIG. 2 is a front view thereof;
FIG. 3 is a rear view thereof;
FIG. 4 is a left side view thereof;
FIG. 5 is a right side view thereof;
FIG. 6 is a top view thereof; and,
FIG. 7 is a bottom view thereof.

1 Claim, 6 Drawing Sheets



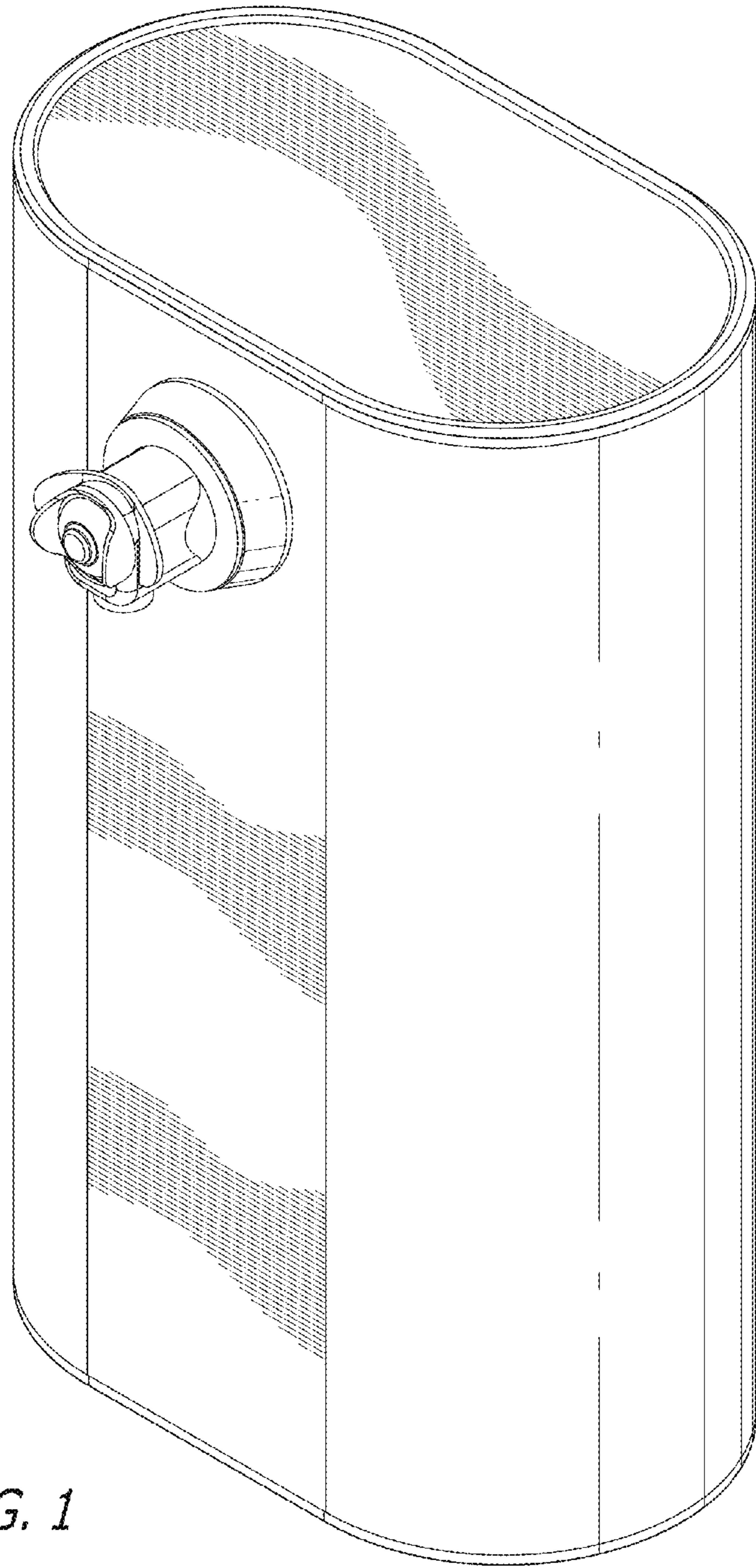


FIG. 1

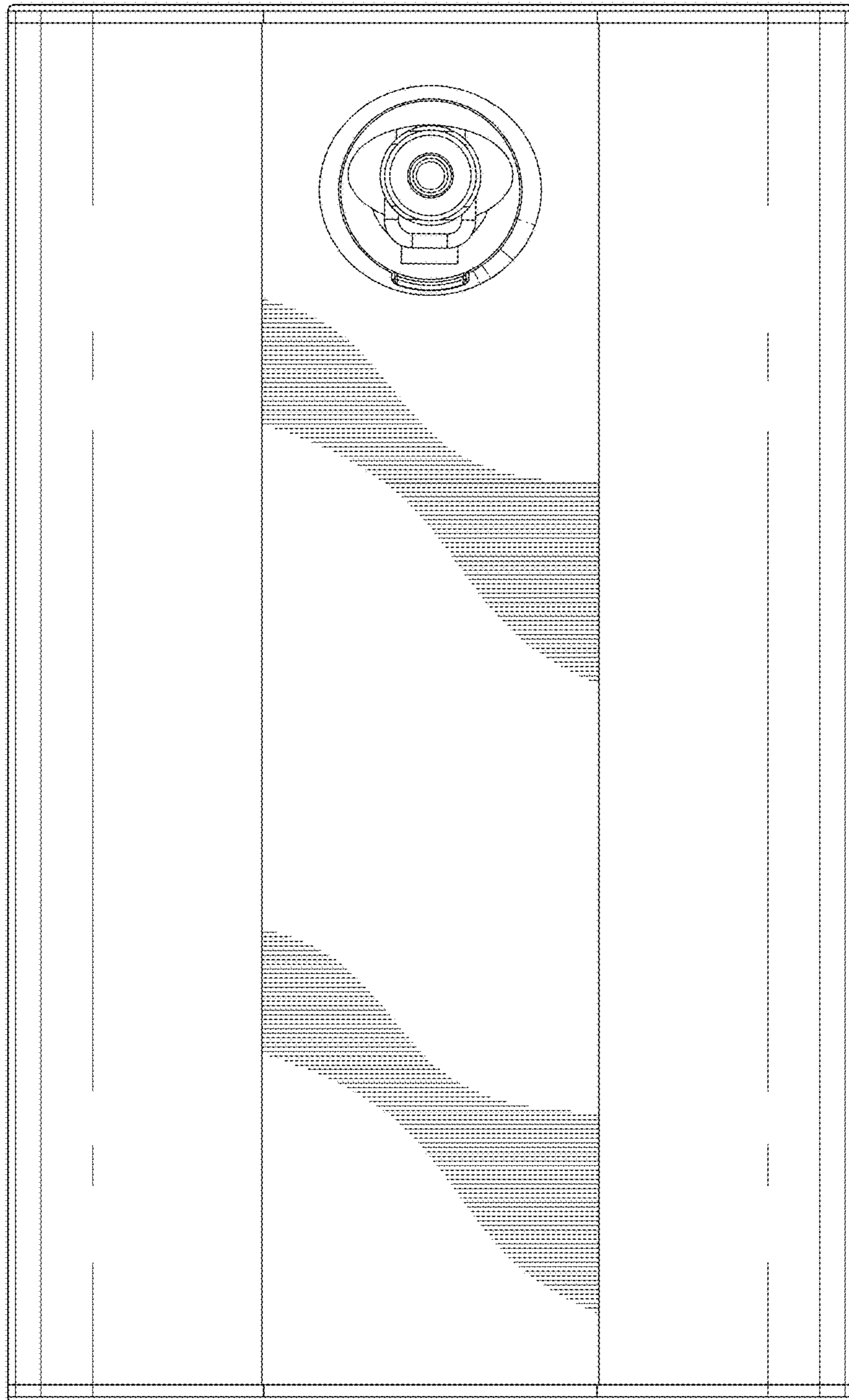


FIG. 2

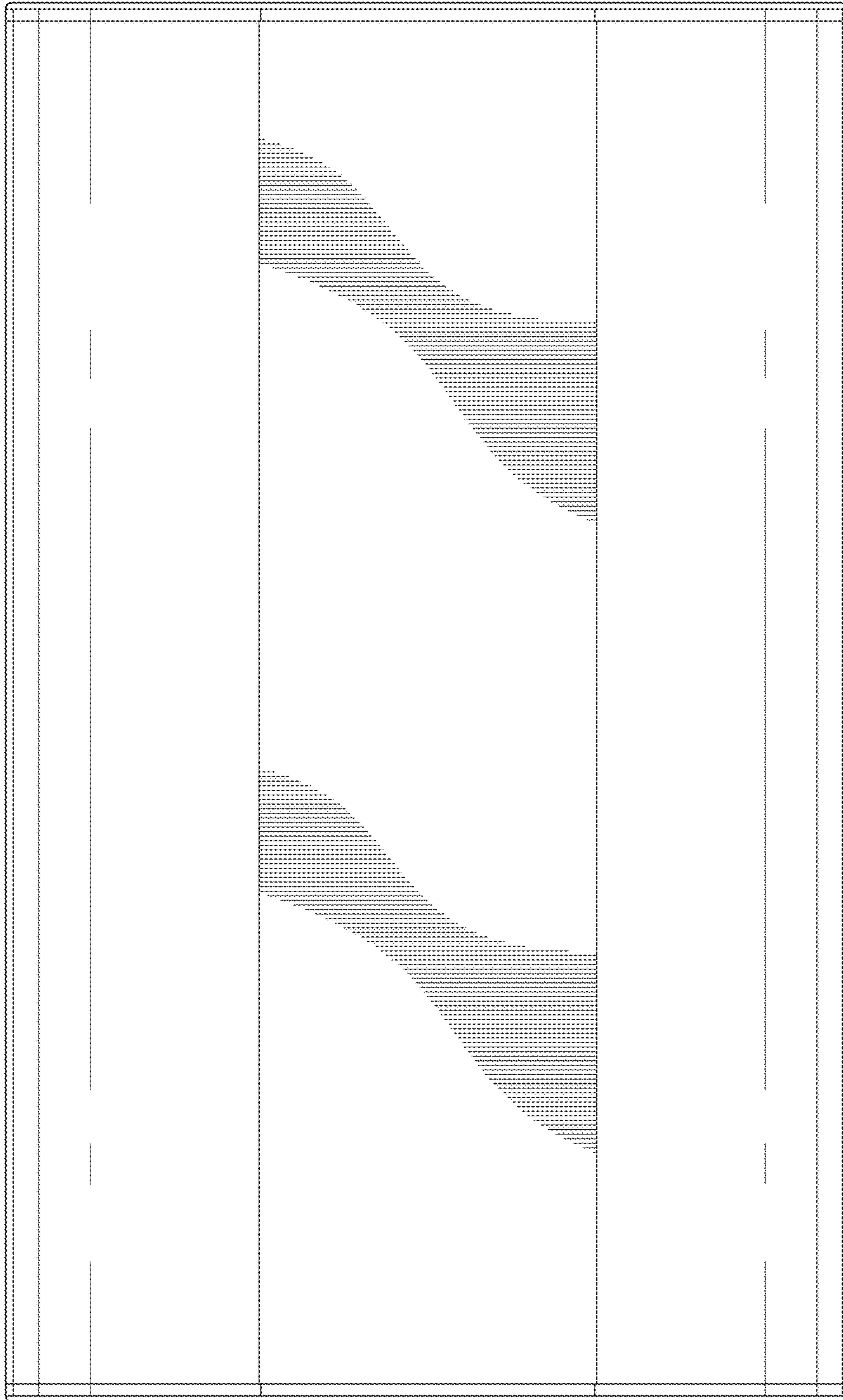


FIG. 3

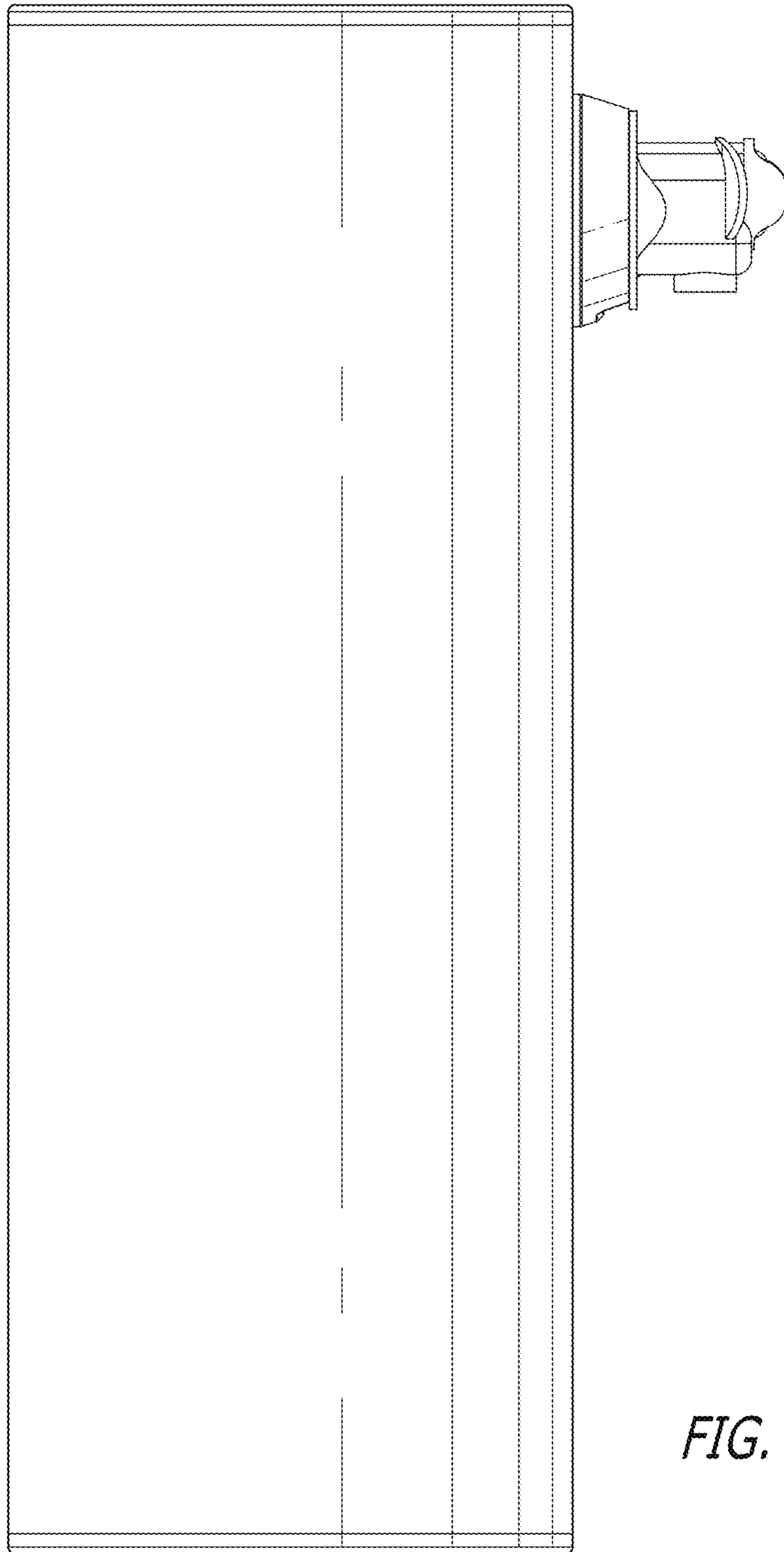


FIG. 4

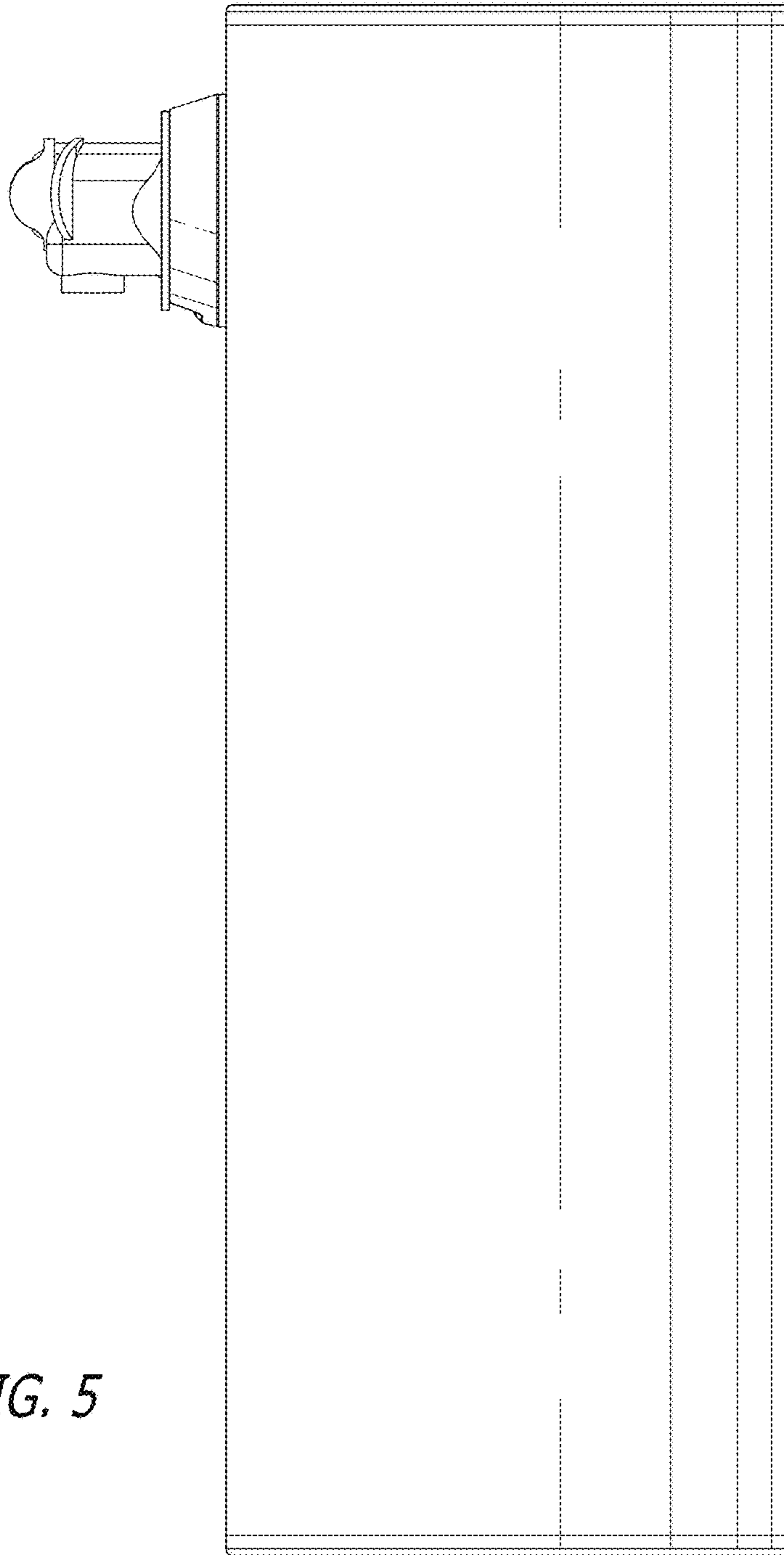


FIG. 5

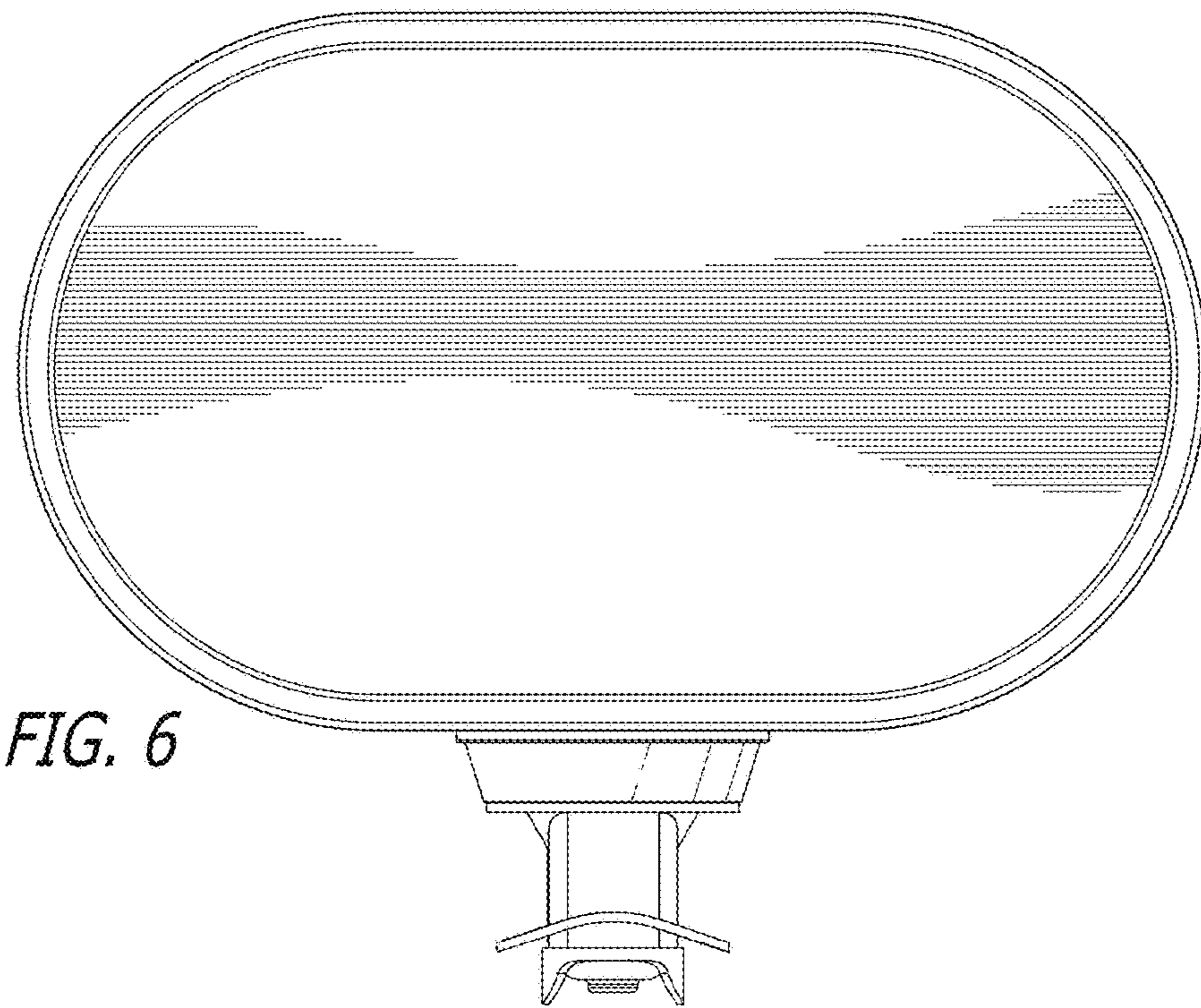


FIG. 6

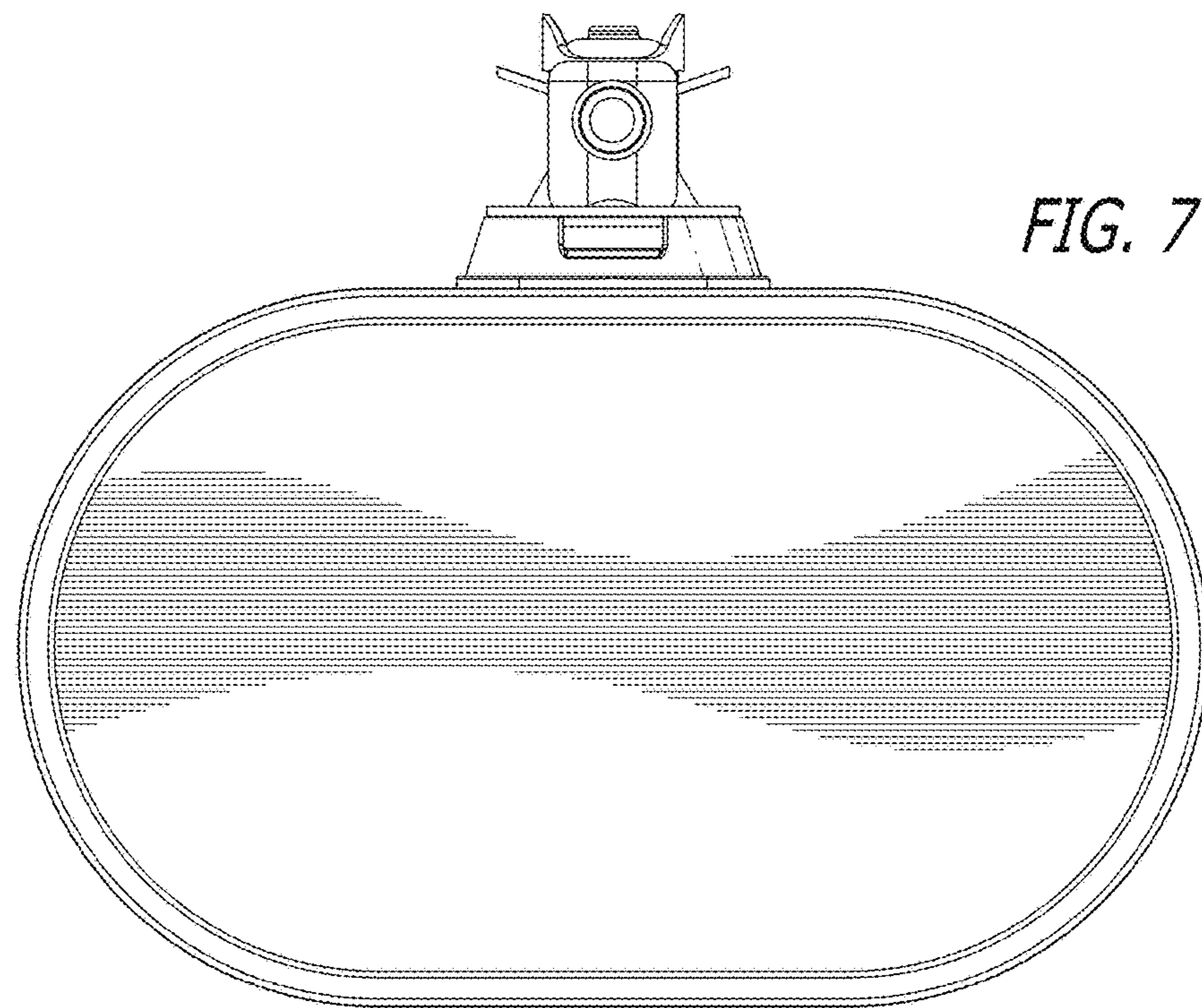


FIG. 7