



US00D855369S

(12) **United States Design Patent** (10) **Patent No.:** **US D855,369 S**  
**Newkirk et al.** (45) **Date of Patent:** **\*\* Aug. 6, 2019**

- (54) **FOOT RAIL FOR PATIENT BED**
- (71) Applicant: **Hill-Rom Services, Inc.**, Batesville, IN (US)
- (72) Inventors: **David C. Newkirk**, Lawrenceburg, IN (US); **James L. Walke**, Batesville, IN (US)
- (73) Assignee: **Hill-Rom Services, Inc.**, Batesville, IN (US)
- (\*\*) Term: **15 Years**
- (21) Appl. No.: **29/579,154**
- (22) Filed: **Sep. 28, 2016**

**Related U.S. Application Data**

- (63) Continuation of application No. 29/516,152, filed on Jan. 29, 2015, now Pat. No. Des. 771,259.
- (51) **LOC (12) Cl.** ..... **06-06**
- (52) **U.S. Cl.**  
USPC ..... **D6/718.3**
- (58) **Field of Classification Search**  
USPC ..... D24/183-185; D6/718, 718.13, 718.3, D6/382-384  
CPC ..... A61G 7/00; A61G 7/05; A61G 7/0506; A61G 7/0507  
See application file for complete search history.

(56) **References Cited**

**U.S. PATENT DOCUMENTS**

421,656 A	2/1890	Blanken
1,700,338 A	1/1929	Scoggins
2,136,088 A	11/1938	Stevens
D158,433 S	5/1950	Bevelacqua
2,587,291 A	2/1952	Rochers
2,722,017 A	11/1955	Burst et al.
2,747,919 A	5/1956	Ferneau et al.
3,018,492 A	1/1962	Rosen
3,321,779 A	5/1967	Kaufman et al.
3,506,989 A	4/1970	Ross et al.

3,585,659 A	6/1971	Burst et al.
D229,381 S	11/1973	Benoit
3,806,109 A	4/1974	Weber et al.
3,905,591 A	9/1975	Schorr et al.

(Continued)

**FOREIGN PATENT DOCUMENTS**

WO WO 2006/058506 A1 6/2006

**OTHER PUBLICATIONS**

<http://www.arjohuntleigh.com/int/Product.asp?PageNumber=2571&ProductCategory.sub.--Id=128&Product.sub.--Id=202>, ArjoHuntleigh, Enterprise 8000 Hospital Bed, Date: No later than Apr. 28, 2009.  
(Continued)

*Primary Examiner* — Rosemary K Tarcza  
*Assistant Examiner* — Christy M Nemeth  
(74) *Attorney, Agent, or Firm* — Barnes & Thornburg LLP

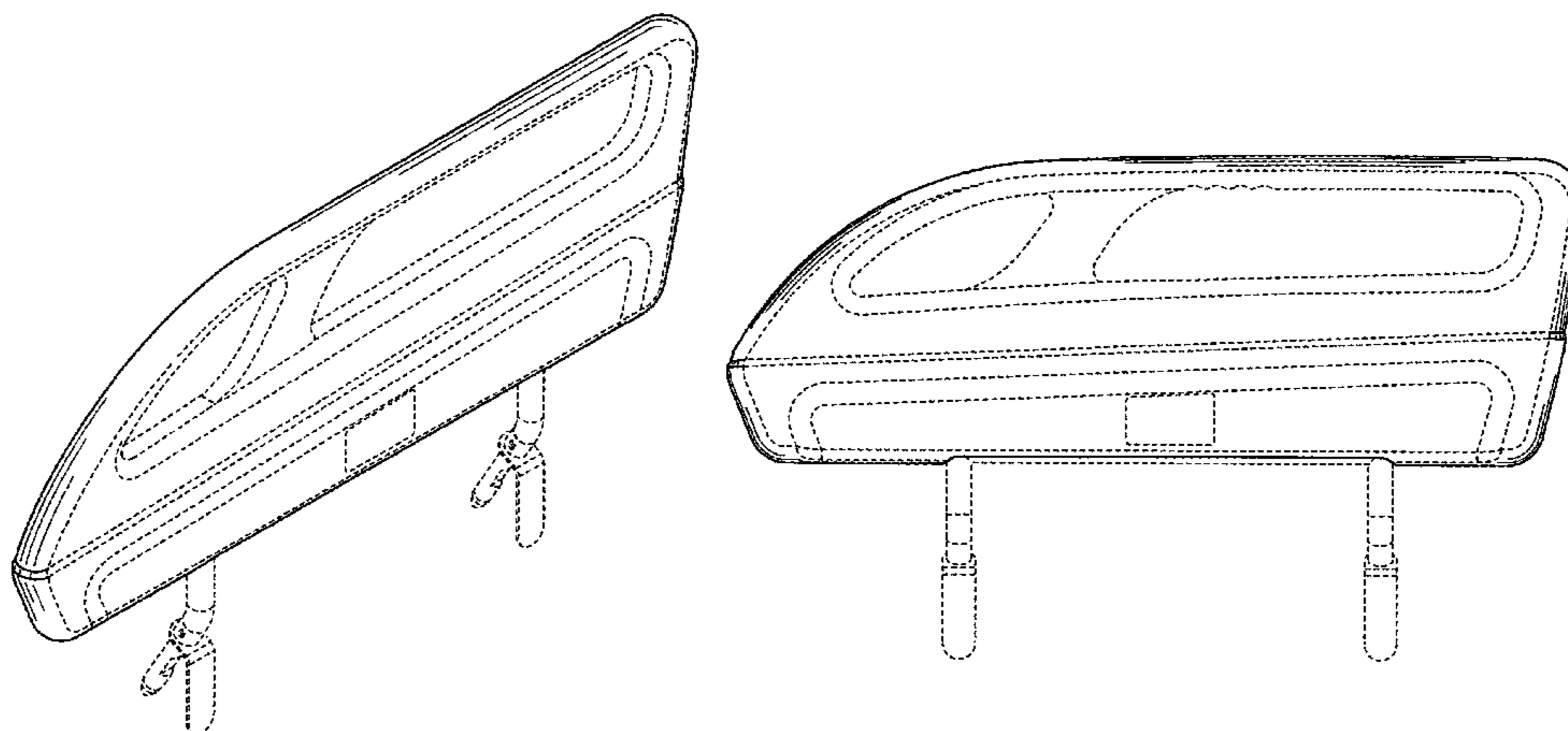
(57) **CLAIM**

The ornamental design for a foot rail for patient bed, as shown and described.

**DESCRIPTION**

FIG. 1 is a top front perspective view of a foot rail for patient bed showing our new design; FIG. 2 is a front elevation view of the foot rail of FIG. 1; FIG. 3 is a rear elevation view of the foot rail of FIG. 1; FIG. 4 is a right side elevation view of the foot rail of FIG. 1; FIG. 5 is a left side elevation view of the foot rail of FIG. 1; FIG. 6 is a top plan view of the foot rail of FIG. 1; and, FIG. 7 is a bottom plan view of the foot rail of FIG. 1. The broken lines shown in the figures depict environmental subject matter and portions that form no part of the claimed design.

**1 Claim, 3 Drawing Sheets**



(56)

References Cited

U.S. PATENT DOCUMENTS

3,932,903 A	1/1976	Adams et al.	5,906,017 A	5/1999	Ferrand et al.
D240,867 S	8/1976	Blumberg	6,021,533 A	2/2000	Ellis et al.
D248,406 S	7/1978	Hodge	6,058,531 A	5/2000	Carroll
D249,359 S	9/1978	Stott et al.	6,073,289 A	6/2000	Bolden et al.
4,183,015 A	1/1980	Drew et al.	6,141,806 A	11/2000	Bobey et al.
4,186,456 A	2/1980	Huempfner	D436,474 S	1/2001	Morren
4,214,326 A	7/1980	Spann	6,185,767 B1	2/2001	Brooke et al.
4,215,446 A	8/1980	Mahoney	6,240,580 B1	6/2001	Hamilton et al.
D272,395 S	1/1984	Sonder et al.	6,240,583 B1	6/2001	Brooke et al.
4,439,880 A	4/1984	Koncelik et al.	6,363,552 B1	4/2002	Hornbach et al.
4,592,104 A	6/1986	Foster et al.	6,389,622 B1	5/2002	Her
4,646,211 A	2/1987	Gallant et al.	D458,481 S	6/2002	Brooke
4,653,129 A	3/1987	Kuck et al.	D459,119 S	6/2002	Brooke
D289,951 S	5/1987	Goodwin	D463,179 S	9/2002	Brooke
4,676,687 A	6/1987	Koffler	D479,070 S	9/2003	Goodwin et al.
4,724,555 A	2/1988	Poehner et al.	6,622,364 B2	9/2003	Hamilton et al.
D295,892 S	5/1988	Feldt	6,640,360 B2	11/2003	Hornback et al.
4,745,647 A	5/1988	Goodwin	6,658,132 B1 *	12/2003	Moster ..... A61G 7/0507 381/189
4,811,435 A	3/1989	Foster et al.	D488,941 S	4/2004	Lemire et al.
D300,657 S	4/1989	Simpkins et al.	D488,942 S	4/2004	Lemire et al.
4,827,545 A	5/1989	Arp	6,721,975 B1	4/2004	Lemire
D301,411 S	6/1989	Schlapp	6,779,209 B2	8/2004	Ganance
4,847,929 A	7/1989	Pupovic	6,951,036 B2	10/2005	Lemire
D304,614 S	11/1989	Guttormsen	7,073,220 B2	7/2006	Simmonds et al.
4,912,787 A	4/1990	Bradovich	7,076,818 B2	7/2006	Kummer et al.
4,935,968 A	6/1990	Hunt et al.	7,107,637 B2	9/2006	Kuek et al.
4,985,946 A	1/1991	Foster et al.	7,150,058 B2	12/2006	Rabska
4,998,939 A	3/1991	Potthast et al.	D553,382 S	10/2007	Hayes et al.
5,023,967 A	6/1991	Ferrand	7,296,312 B2	11/2007	Menkedick
5,035,014 A	7/1991	Blanchard	7,406,731 B2	8/2008	Menkedick
5,072,463 A	12/1991	Willis	D583,954 S	12/2008	Genelli
5,072,906 A	12/1991	Foster	7,487,558 B2	2/2009	Risk, Jr. et al.
5,077,843 A	1/1992	Dale et al.	D604,421 S	11/2009	Albrecht et al.
5,083,332 A	1/1992	Foster	D604,422 S	11/2009	Albrecht et al.
5,083,334 A	1/1992	Huck et al.	7,644,457 B2	1/2010	Hensley
5,084,925 A	2/1992	Cook	7,712,166 B2	5/2010	Stryker et al.
5,117,521 A	6/1992	Foster et al.	D616,678 S	6/2010	Heimbrock et al.
5,121,513 A	6/1992	Thomas et al.	D616,679 S	6/2010	Heimbrock et al.
5,129,117 A	7/1992	Celestina et al.	D617,586 S *	6/2010	Heimbrock ..... D6/718.3
5,179,744 A	1/1993	Foster et al.	D617,587 S	6/2010	Heimbrock et al.
5,195,200 A	3/1993	Leoutsakos	D617,588 S *	6/2010	Heimbrock ..... D6/718.3
D336,577 S	6/1993	Celestina et al.	D617,589 S *	6/2010	Heimbrock ..... D6/718.3
D336,578 S	6/1993	Celestina	7,761,939 B2	7/2010	Wiggins et al.
5,216,768 A	6/1993	Bodine et al.	7,784,125 B2	8/2010	Morin et al.
5,269,030 A	12/1993	Pahno et al.	D627,985 S	11/2010	Salus
5,269,388 A	12/1993	Reichow et al.	D628,416 S	12/2010	Heimbrock et al.
D344,802 S	3/1994	Kuck et al.	7,895,689 B2	3/2011	Hayes et al.
5,299,338 A	4/1994	Foster	7,930,778 B2	4/2011	Wu et al.
5,317,769 A	6/1994	Weismiller et al.	D637,020 S	5/2011	Heimbrock et al.
5,337,430 A	8/1994	Schlein	7,962,979 B1	6/2011	Hime
5,337,845 A	8/1994	Foster et al.	D640,887 S	7/2011	Heimbrock et al.
D351,742 S	10/1994	Phleps et al.	7,971,291 B2	7/2011	Stryker et al.
5,370,111 A	12/1994	Reeder et al.	7,986,242 B2	7/2011	Dixon et al.
5,377,371 A	1/1995	Foster	8,143,846 B2	3/2012	Herman et al.
5,381,571 A	1/1995	Gabhart	D656,762 S	4/2012	Fejt
5,394,581 A	3/1995	Leoutsakos	D656,765 S	4/2012	Fejt
5,396,673 A	3/1995	Foster	8,205,280 B2	6/2012	Hensley et al.
5,398,357 A	3/1995	Foster	8,266,741 B2	9/2012	Penninger et al.
5,398,359 A	3/1995	Foster	8,296,884 B2	10/2012	Heimbrock
5,454,126 A	10/1995	Foster et al.	8,341,777 B2	1/2013	Hensley et al.
5,455,975 A	10/1995	Foster	8,341,778 B2	1/2013	Heimbrock
5,461,673 A	10/1995	Coons	8,381,337 B2	2/2013	Zerhusen et al.
5,479,666 A	1/1996	Foster et al.	8,387,179 B2	3/2013	Metz et al.
5,481,772 A	1/1996	Glynn et al.	8,413,270 B2	4/2013	Turner et al.
5,513,406 A	5/1996	Foster et al.	D706,427 S	6/2014	Leng
5,542,138 A	8/1996	Williams et al.	D707,480 S	6/2014	Heimbrock
5,577,277 A	11/1996	Sundberg et al.	D707,483 S	6/2014	Heimbrock
5,586,346 A	12/1996	Stacy et al.	D710,507 S	8/2014	Leng et al.
5,623,736 A	4/1997	Soltani et al.	D710,509 S	8/2014	Leng et al.
5,682,631 A	11/1997	Weismiller et al.	D710,510 S	8/2014	Leng et al.
5,689,839 A	11/1997	Laganiere et al.	9,101,517 B2 *	8/2015	Simmonds ..... A61G 7/0507
5,732,423 A	3/1998	Weismiller et al.	9,132,051 B2 *	9/2015	Heil ..... A61G 7/015
5,774,914 A	7/1998	Johnson et al.	9,259,371 B2 *	2/2016	Zerhusen ..... A61G 7/0507
5,781,945 A	7/1998	Scherer et al.	9,311,804 B2 *	4/2016	Ribble ..... G08B 21/0453
5,802,636 A	9/1998	Corbin et al.	D768,422 S *	10/2016	O'Neal ..... D6/718.3
			D770,213 S *	11/2016	Bellows ..... D6/718
			D770,824 S *	11/2016	O'Neal ..... D6/392
			D770,829 S *	11/2016	Newkirk ..... D6/718.3



(56)

## References Cited

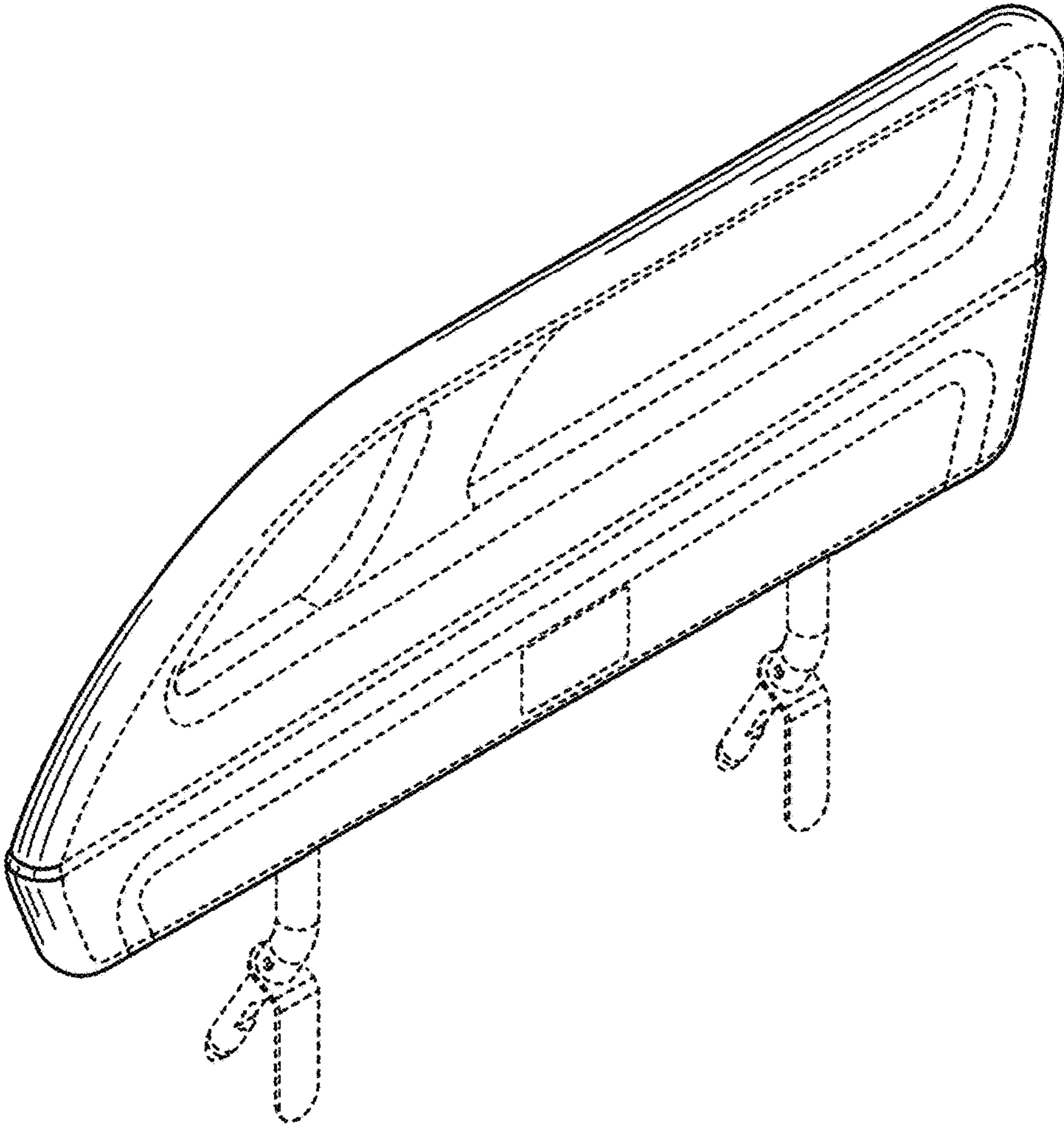
## OTHER PUBLICATIONS

## U.S. PATENT DOCUMENTS

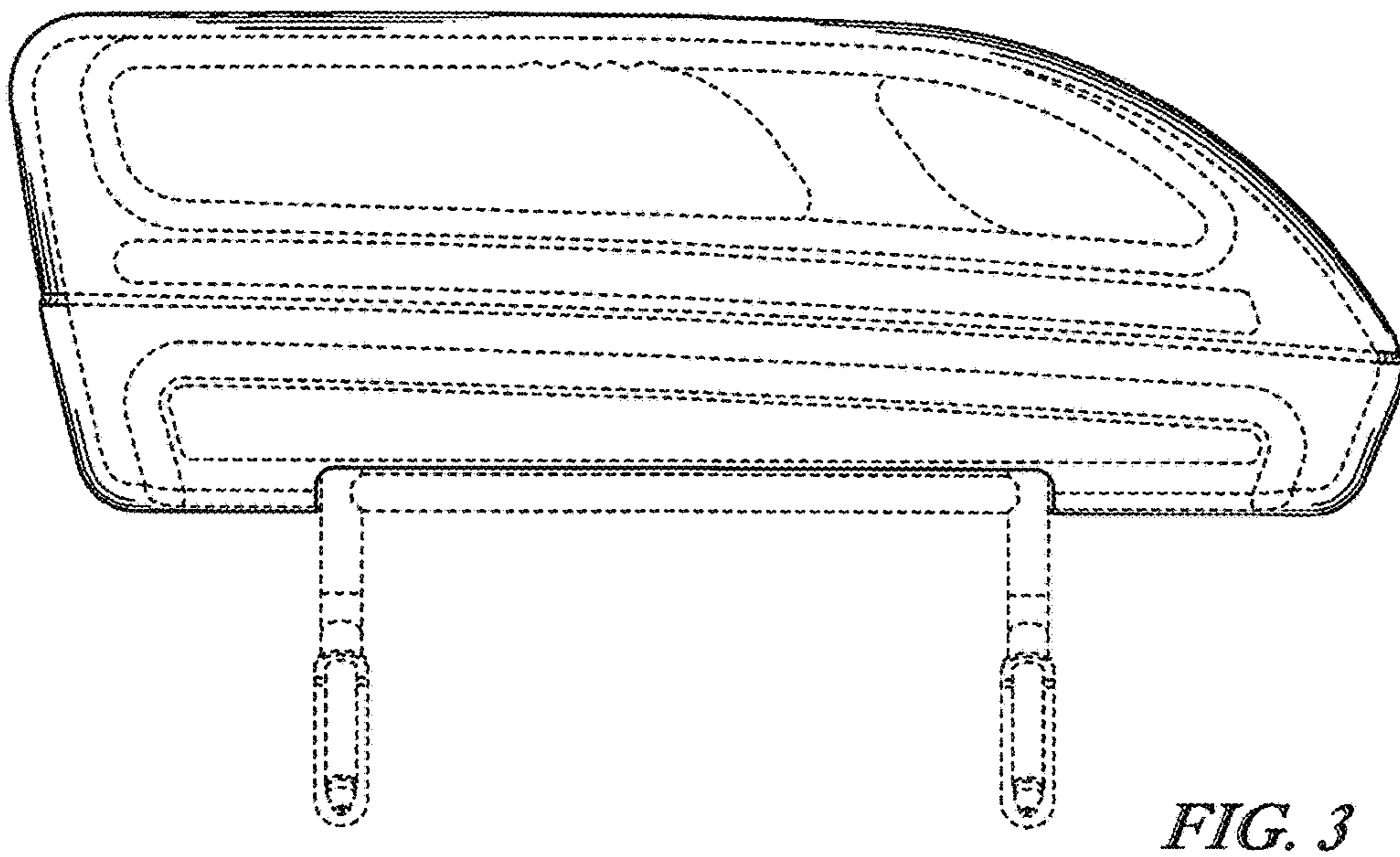
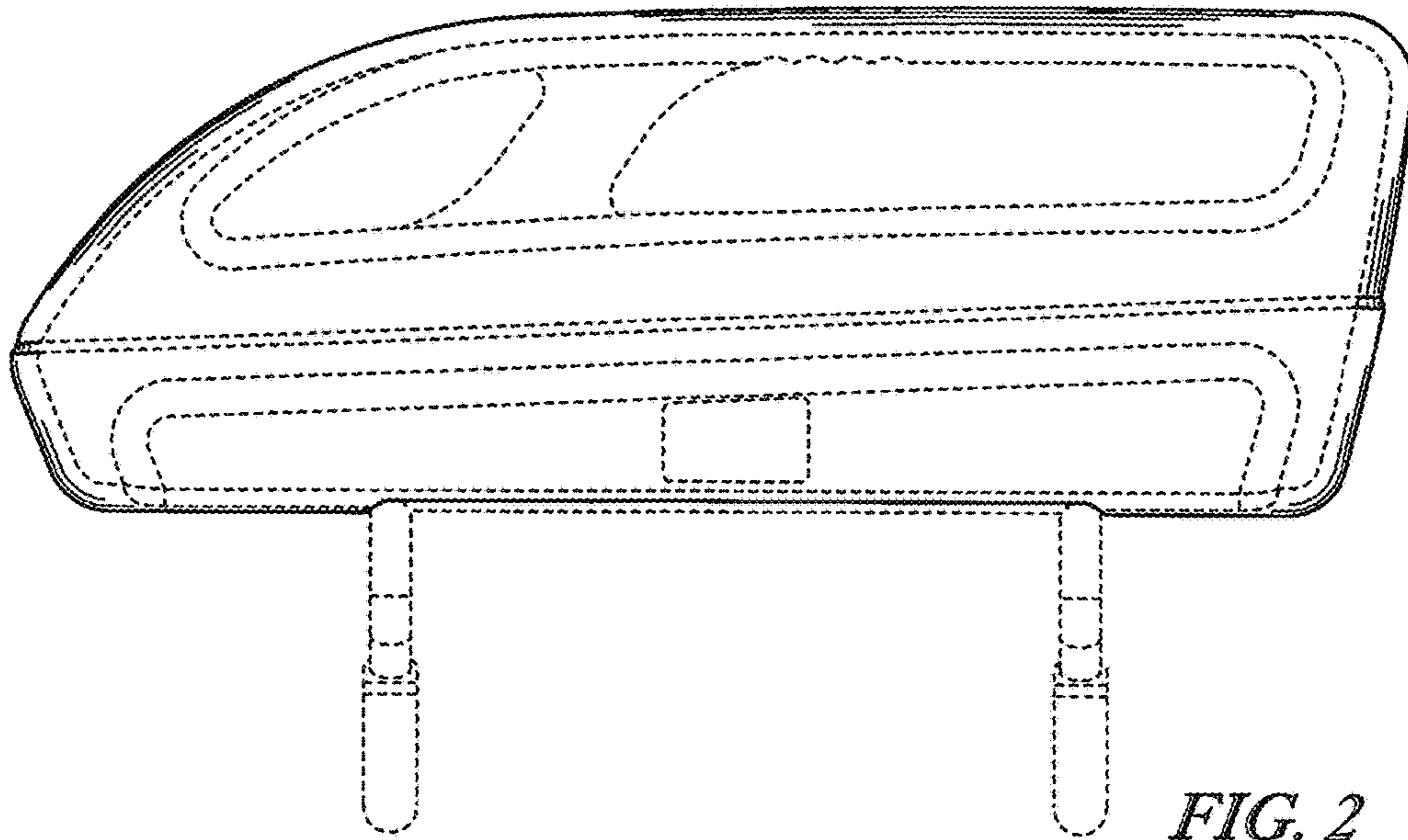
D771,259 S \* 11/2016 Newkirk ..... D24/184  
 9,687,401 B2 \* 6/2017 Alford ..... A63B 71/0619  
 9,707,143 B2 \* 7/2017 Thodupunuri ..... A61G 7/08  
 9,754,476 B2 \* 9/2017 Lemire ..... G08B 21/22  
 9,833,369 B2 \* 12/2017 Meyer ..... A61G 7/018  
 D817,058 S \* 5/2018 Newkirk ..... D6/718.3  
 D817,682 S \* 5/2018 O'Neal ..... D6/718.3  
 D819,382 S \* 6/2018 O'Neal ..... D6/718.3  
 D825,973 S \* 8/2018 O'Neal ..... D6/718.3  
 10,045,715 B2 \* 8/2018 Hoffman ..... A61G 7/002  
 10,054,479 B2 \* 8/2018 Nachtigal ..... G01G 19/445  
 10,098,797 B2 \* 10/2018 Hutchison ..... A61G 7/0506  
 10,137,044 B2 \* 11/2018 Fisk ..... A61G 7/05746  
 10,219,725 B2 \* 3/2019 Williamson ..... A61B 5/11  
 2002/0002742 A1 1/2002 Osborne et al.  
 2004/0177443 A1 9/2004 Simmonds  
 2005/0172405 A1 8/2005 Menkedick et al.  
 2006/0038098 A1 2/2006 Metz  
 2006/0059621 A1 3/2006 Poulos  
 2006/0075560 A1 4/2006 Osborne et al.  
 2006/0168729 A1 8/2006 Weismiller et al.  
 2007/0050910 A1 3/2007 Blanchard et al.  
 2007/0130692 A1 6/2007 Lemire et al.  
 2007/0163043 A1 7/2007 Lemire et al.  
 2007/0169268 A1 7/2007 Lemire et al.  
 2007/0174965 A1 8/2007 Lemire et al.  
 2007/0294828 A1 12/2007 Hornbach et al.  
 2008/0005838 A1 1/2008 Wan Fong et al.  
 2009/0031498 A1 2/2009 Girard et al.  
 2009/0119839 A1 5/2009 Guguin  
 2009/0188731 A1 7/2009 Zerhusen et al.  
 2009/0229049 A1 9/2009 Heimbrock  
 2009/0229050 A1 9/2009 Heimbrock  
 2011/0010861 A1 1/2011 Heimbrock et al.  
 2011/0191957 A1 8/2011 Hornbach et al.  
 2011/0214234 A1 9/2011 Herman  
 2011/0231996 A1 9/2011 Lemire et al.  
 2011/0258779 A1 10/2011 Derenne et al.  
 2011/0277242 A1 11/2011 Dionne et al.  
 2012/0047654 A1 3/2012 Simmonds  
 2012/0151678 A1 6/2012 Richards  
 2013/0019405 A1 1/2013 Flanagan et al.  
 2014/0048661 A1 2/2014 Bally  
 2015/0164722 A1 6/2015 Roussy  
 2015/0305955 A1 10/2015 Simmonds  
 2016/0058640 A1 3/2016 Morin  
 2016/0063846 A1 3/2016 Lemire  
 2016/0310045 A1 \* 10/2016 Hoffman ..... A61G 7/002

<http://www.arjohuntleigh.com/int/Product.asp?pagenumber=2571&Product.sub.--Id=291&ProductCategory.sub.--Id=128>, ArjoHuntleigh, Enterprise 9000 Hospital Bed, Date: No later than Apr. 28, 2009.  
<http://www.arjohuntleigh.com/int/ProductDetails.asp?PageNumber=2571&ProductCategory.sub.--Id=128&Product.sub.--Id=291>, ArjoHuntleigh, Enterprise 9000—Product Details—Nurse Handset, Date: No later than Apr. 28, 2009.  
<http://www.arjohuntleigh.com/int/ProductDetails.asp?PageNumber=2571&ProductCategory.sub.--Id=128&Product.sub.--Id=291>, ArjoHuntleigh, Enterprise 9000—Product Details—Plug in controls allow for easy changes, Date: No later than Apr. 28, 2009.  
 Photo # 1297 (Hill-Rom Clinitron Rite-Hite), Date: No later than Feb. 14, 2009.  
 Photo # 1299 (Hill-Rom 1000), Date: No later than Feb. 14, 2009.  
 Photo # 1304 (Hill-Rom Efica CC), Date: No later than Dec. 1994.  
 Photo # 1305 (Hill-Rom Clinitron Elexis), Date: No later than Dec. 1993.  
 Photo # 1306 (Hill-Rom Clinitron Elexis), Date: No later than Dec. 1993.  
 Photo # 1307 (Hill-Rom Affinity), Date: No later than Feb. 14, 2009.  
 Photo # 1309 (Hill-Rom Clinitron), Date: No later than Feb. 14, 2009.  
 Med/Surg “Go Bed +”; 2 page product brochure; Stryker Medical, copyright 01/02.  
 No. 21-75 Grouping/Early American finished in No. 28 Maple, Hill-Rom, 1962, 1 page.  
 No. 16-75 Grouping/Italian Provincial finished in No. 69 Cathedral Oak, Hill-Rom, 1962, 1 page.  
 No. 2101-1 Grouping/Early American finished in No. 28 Maple, Hill-Rom, 1962, 1 page.  
 The Advance 2000® Bed from Hill-Rom, Hill-Rom 1993, 18 pages.  
 A Hill-Rom Solution Affinity II Bed, Hill-Rom 1996, 6 pages.  
 Affinity® Three Birthing Bed, Hill-Rom Services, Inc. 2000, 2 pages.  
 TotalCare® Connect Bed and TotalCare® Bed, Options and Accessories, Hill-Rom Services, Inc. 2008, 8 pages.  
 Hill-Rom® Med-Surg Beds Traction Catalog Part Descriptions and Ordering Information, Hill-Rom Services, Inc. 2007, 12 pages.  
 User Manual TotalCare® Bed System from Hill-Rom, Product No. P1900-00, Hill-Rom Services, Inc. 2000, 64 pages.  
 A Hill-Rom Solution Totalcare Bed System, Hill-Rom 1998, 8 pages.  
 Linetamericas.com: Eleganza 3 High-Functioning, Affordable Acute Care Bed. Published Sep. 20, 2015. Retrieved from the internet at, <http://www.linetamericas.com/eleganza-3/>, Jun. 28, 2016. 6 pages.

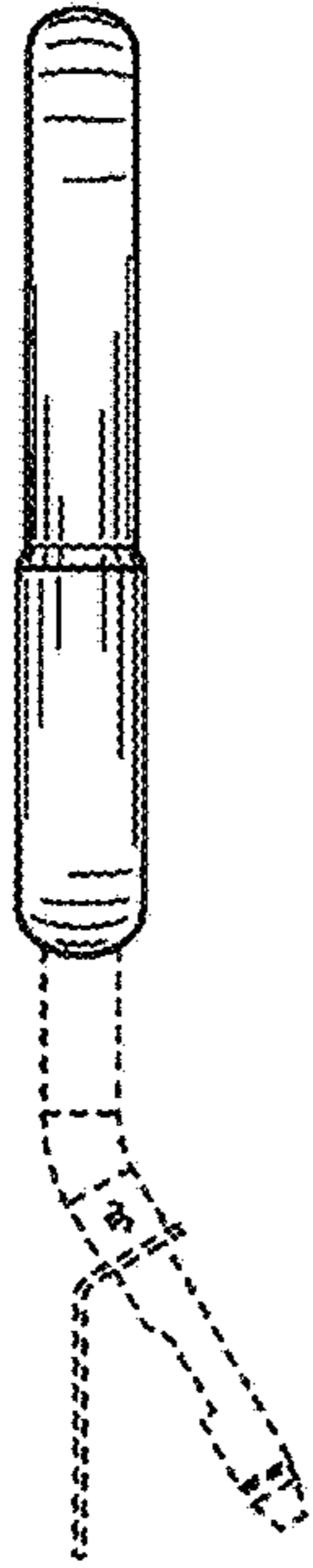
\* cited by examiner



*FIG. 1*







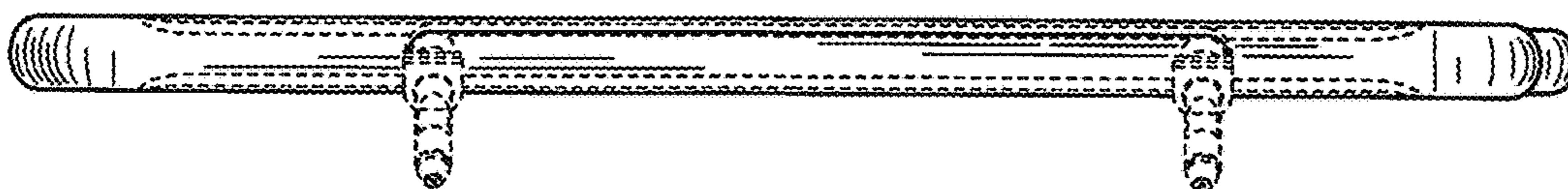
*FIG. 4*



*FIG. 5*



*FIG. 6*



*FIG. 7*