



US00D855368S

(12) **United States Design Patent** (10) **Patent No.:** **US D855,368 S**
Mengshoel et al. (45) **Date of Patent:** **** Aug. 6, 2019**

(54) **SEAT PORTION OF A CHAIR** 7,044,267 B2 * 5/2006 Sigler A47C 16/00
182/15
(71) Applicant: **Fully LLC**, Portland, OR (US) D586,573 S 12/2009 Saitou
D621,641 S 8/2010 Li
(72) Inventors: **Hans Christian Mengshoel**, Gaupen D641,981 S * 7/2011 Wu D6/353
(NO); **David Kahl**, Portland, OR (US) D647,336 S * 10/2011 Bao D6/716.1
D666,425 S * 9/2012 Link D6/349
D682,566 S 5/2013 Parker et al.
(73) Assignee: **Fully LLC**, Portland, OR (US) D694,044 S 11/2013 Copeland
D697,328 S 1/2014 Keen et al.
(**) Term: **15 Years** D702,979 S * 4/2014 Jannetides D6/349
D711,675 S 8/2014 Sato
(21) Appl. No.: **29/665,572** (Continued)

(22) Filed: **Oct. 4, 2018**

Related U.S. Application Data

(62) Division of application No. 29/597,817, filed on Mar. 20, 2017, now Pat. No. Des. 833,790.
(51) **LOC (12) Cl.** **06-06**
(52) **U.S. Cl.**
USPC **D6/716.1**
(58) **Field of Classification Search**
USPC D6/334-338, 340-343, 349-353, 355,
D6/364-365, 691-691.9, 692-692.6;
D25/65
CPC A47B 7/00-02; A47C 11/00; A47C 13/00;
A47C 16/00; A47C 16/02-04; A47C
9/00-105; A47C 17/02; A47C 17/028
See application file for complete search history.

(56) **References Cited**

U.S. PATENT DOCUMENTS

D97,569 S * 11/1935 Trautmann D6/691.4
4,078,757 A 3/1978 Water
4,099,697 A 7/1978 Schuckmann
D263,131 S 2/1982 Mitchell
D295,348 S 4/1988 Muller
D320,703 S 10/1991 Burkhart
D341,031 S 11/1993 Burkhart
D454,438 S 3/2002 Volkman et al.
D467,745 S 12/2002 Ryan

OTHER PUBLICATIONS

Tic Toc The evolution of the everyday chair. [online] Published on Mar. 17, 2017. Retrieved Feb. 14, 2018 from URL: <https://www.fully.com/tic-toc-chair.html>.
(Continued)

Primary Examiner — Vy N Koenig
(74) *Attorney, Agent, or Firm* — Klarquist, Sparkman, LLP

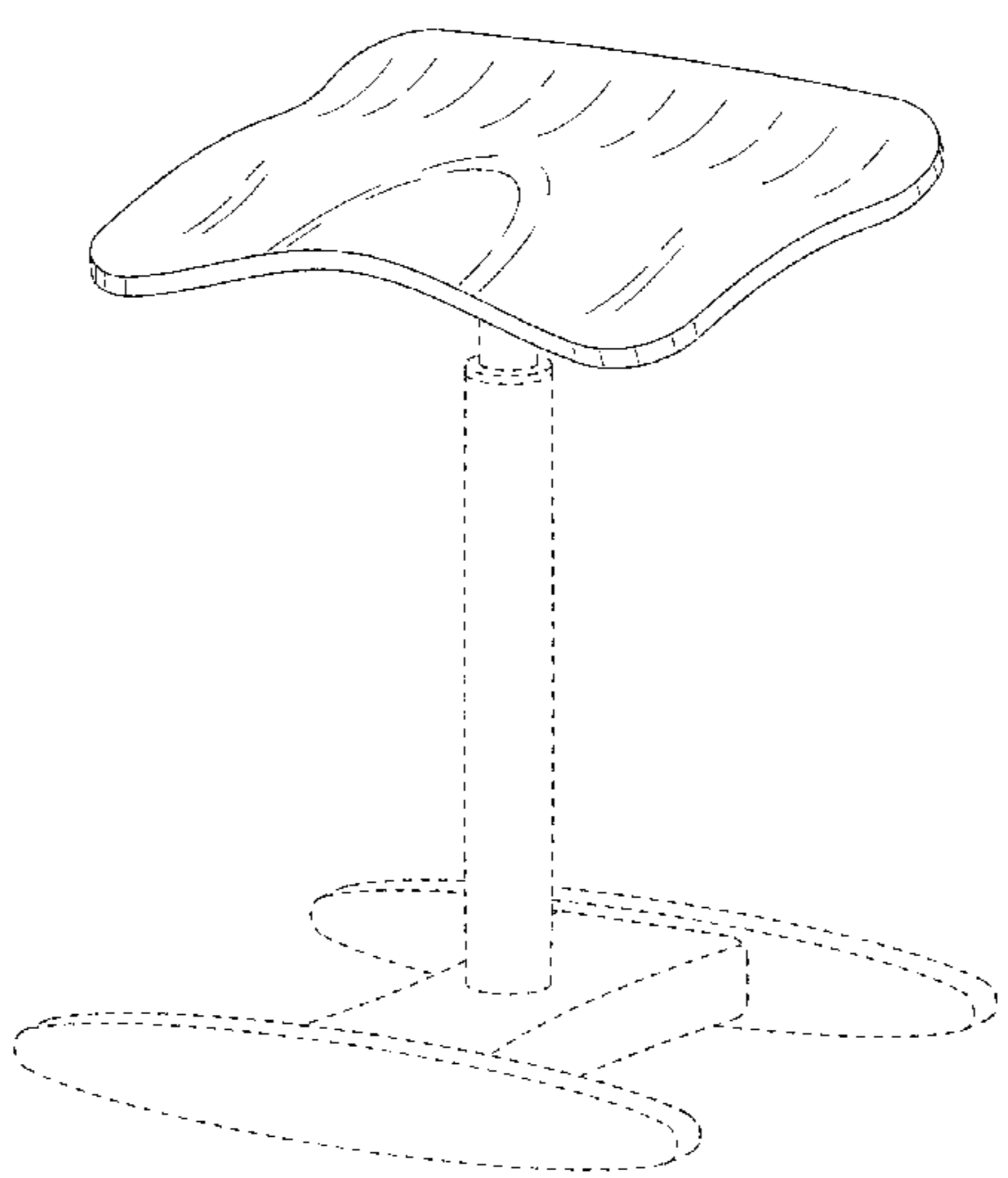
(57) **CLAIM**

The ornamental design for a seat portion of a chair, as shown and described.

DESCRIPTION

FIG. 1 is a perspective view of a seat portion of a chair showing our new design.
FIG. 2 is a front view of the seat portion of FIG. 1.
FIG. 3 is a rear view of the seat portion of FIG. 1.
FIG. 4 is a left side view of the seat portion of FIG. 1.
FIG. 5 is a right side view of the seat portion of FIG. 1.
FIG. 6 is a top view of the seat portion of FIG. 1; and
FIG. 7 is a bottom view of the seat portion of FIG. 1.
The broken lines in the figures illustrate the environment of the claimed design and form no part of the claimed design.

1 Claim, 4 Drawing Sheets



(56)

References Cited

U.S. PATENT DOCUMENTS

8,960,104 B2 2/2015 Copeland et al.
D730,087 S 5/2015 Strater
D741,073 S 10/2015 Keen et al.
D758,747 S 6/2016 Lenz et al.
D782,230 S * 3/2017 Wong D6/686
9,585,485 B2 * 3/2017 Murray A47C 7/566
D808,194 S 1/2018 Wyborn
9,861,202 B2 1/2018 Qi et al.
9,894,998 B2 2/2018 Walser
D833,790 S * 11/2018 Mengshoel D6/708.17
2013/0152828 A1 * 6/2013 Chavira A47B 85/06
108/12
2017/0105530 A1 4/2017 Sheinkop

OTHER PUBLICATIONS

“Tic Toc, The Evolution of the Everyday Chair.” Published on Mar. 17, 2017. Retrieved Feb. 14, 2018 from URL: <https://www.fully.com/tic-toc-chair.html>.

* cited by examiner

Fig. 1

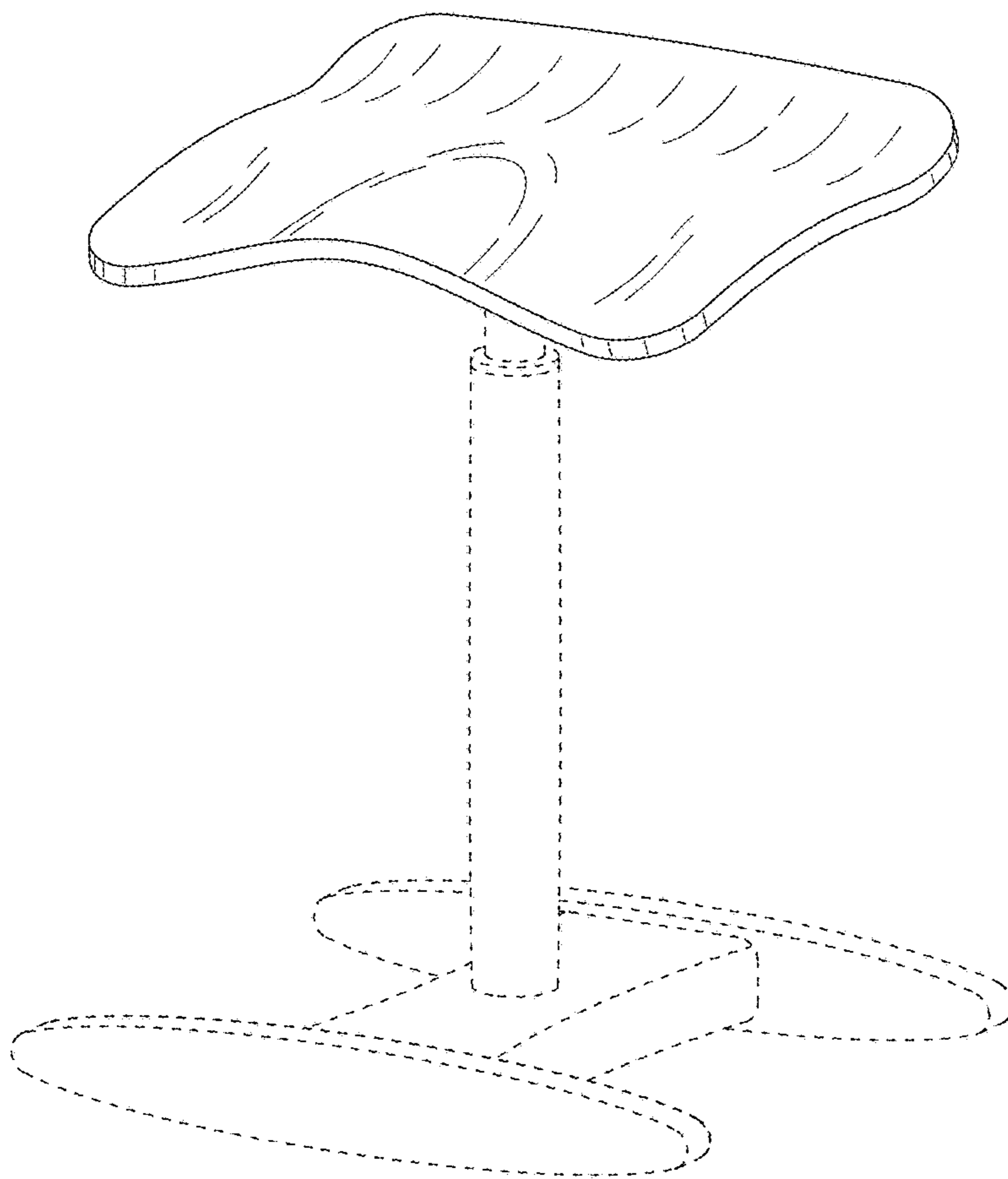


Fig. 3

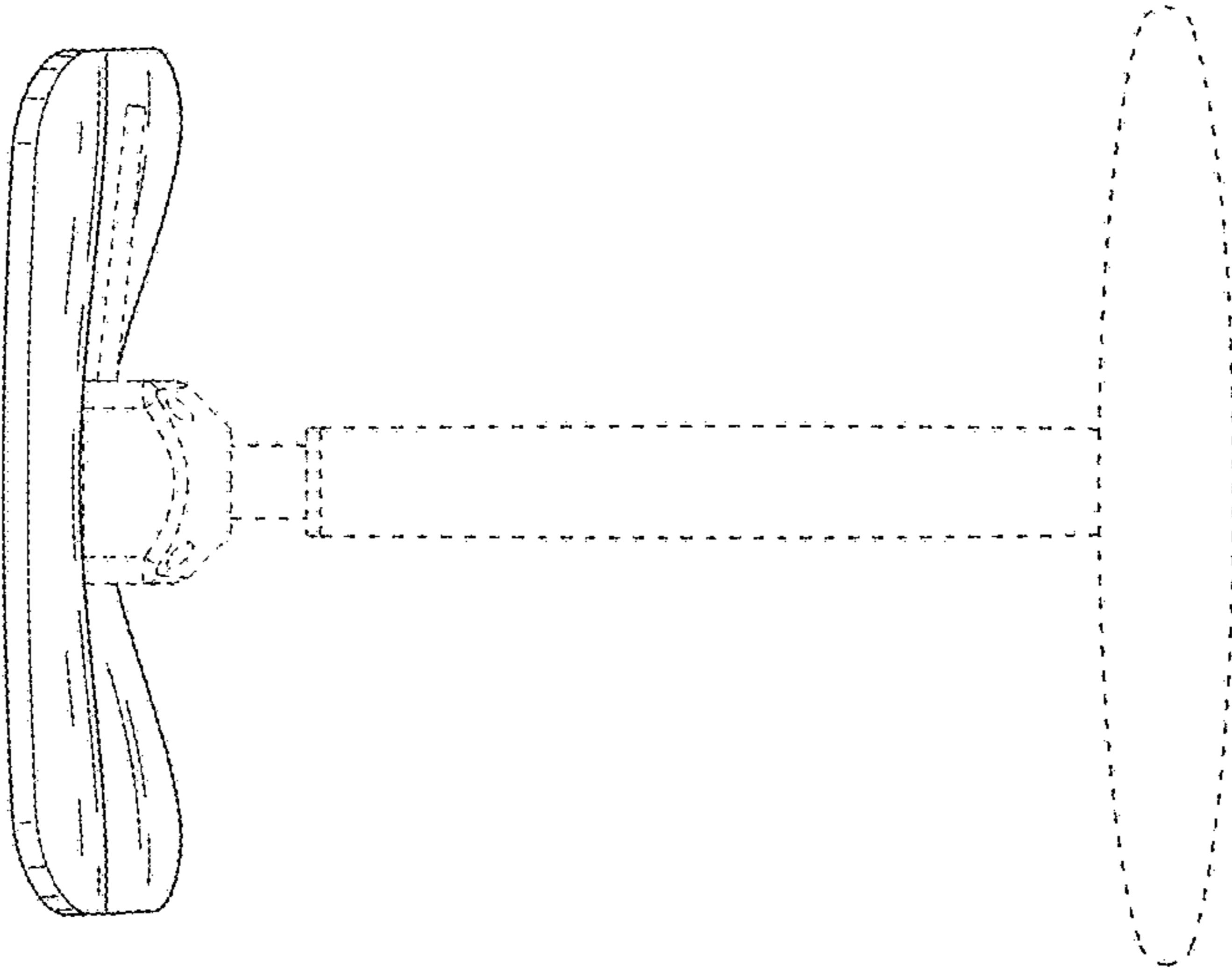


Fig. 2

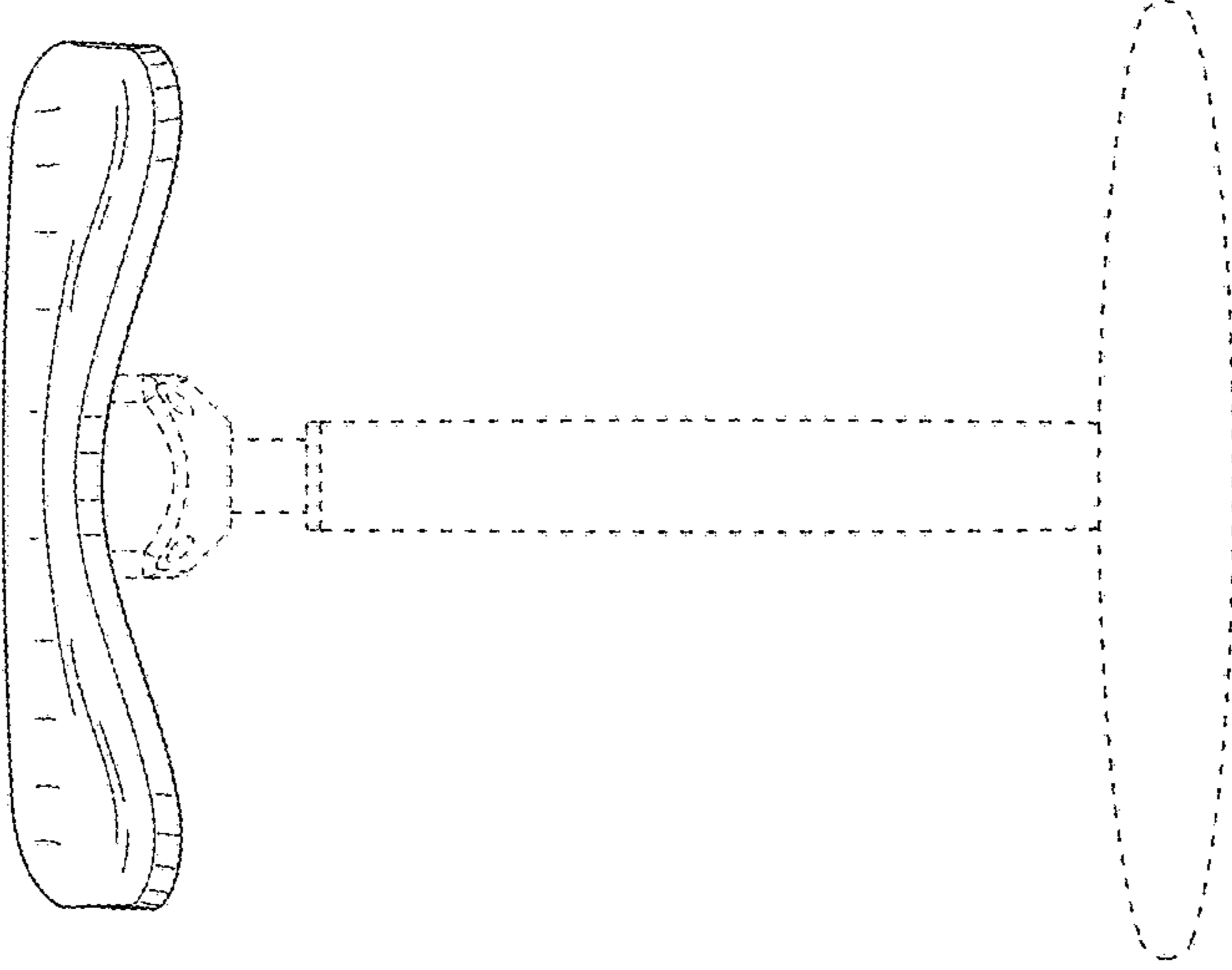


Fig. 5

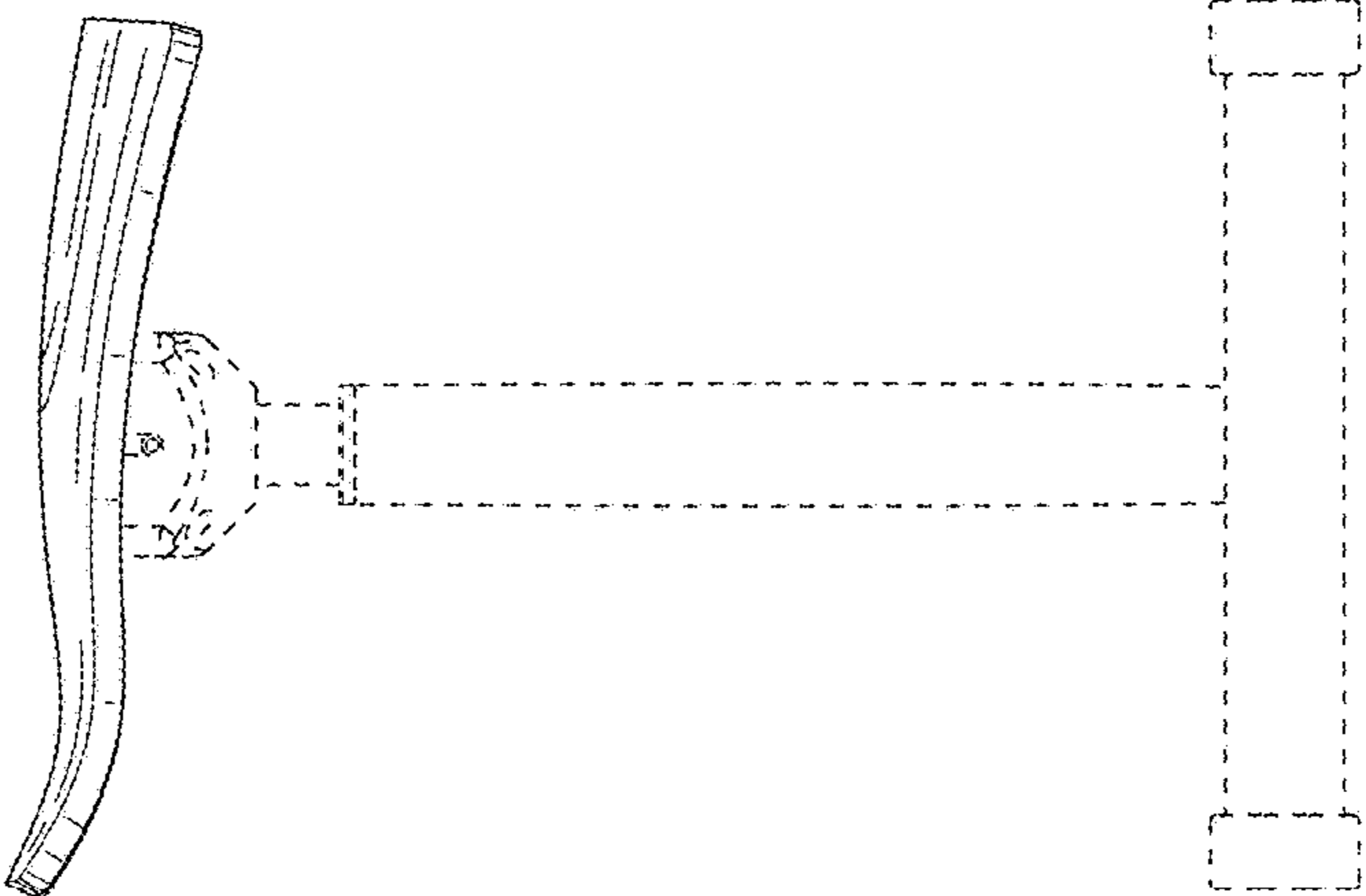


Fig. 4

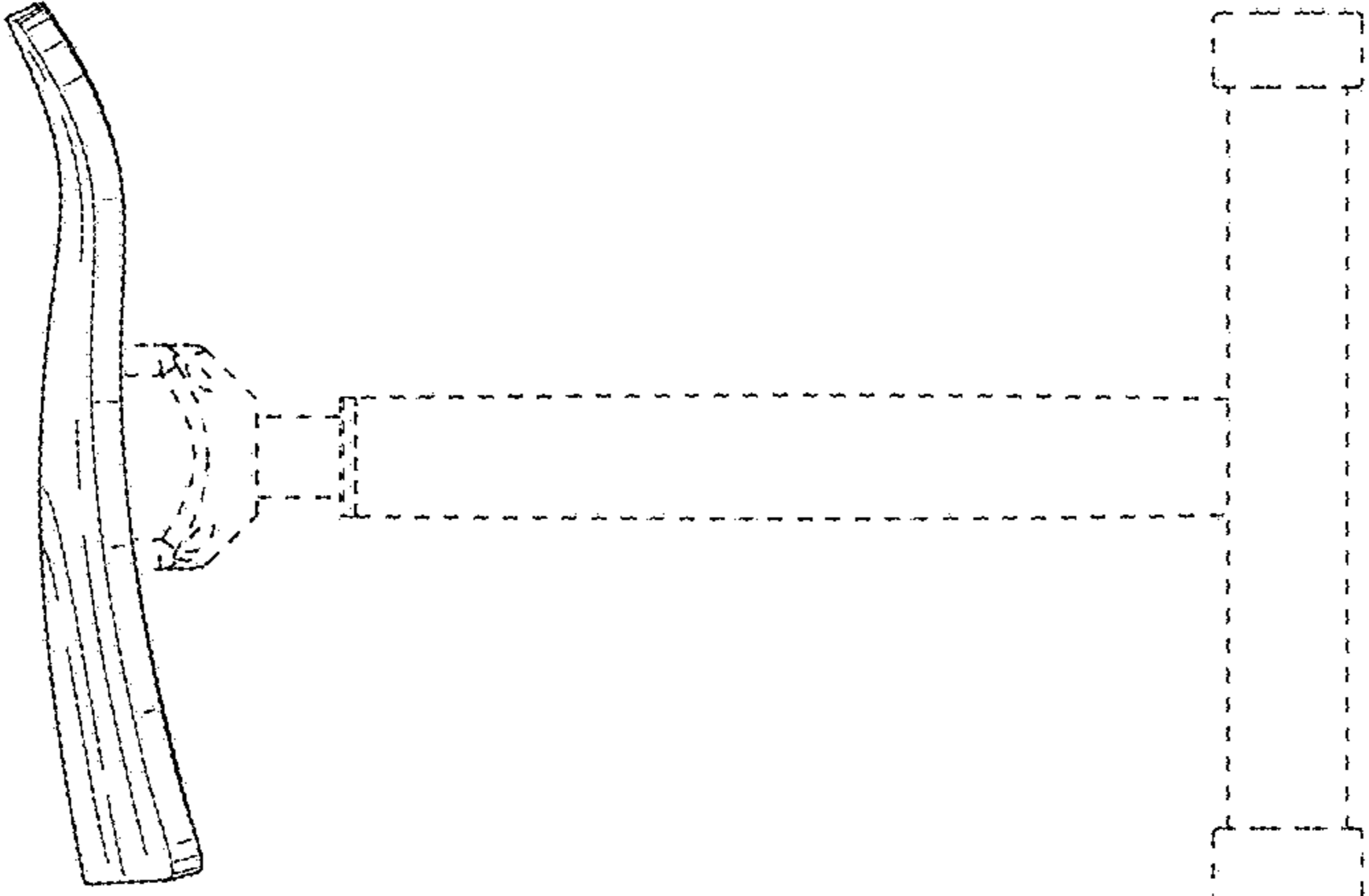


Fig. 6

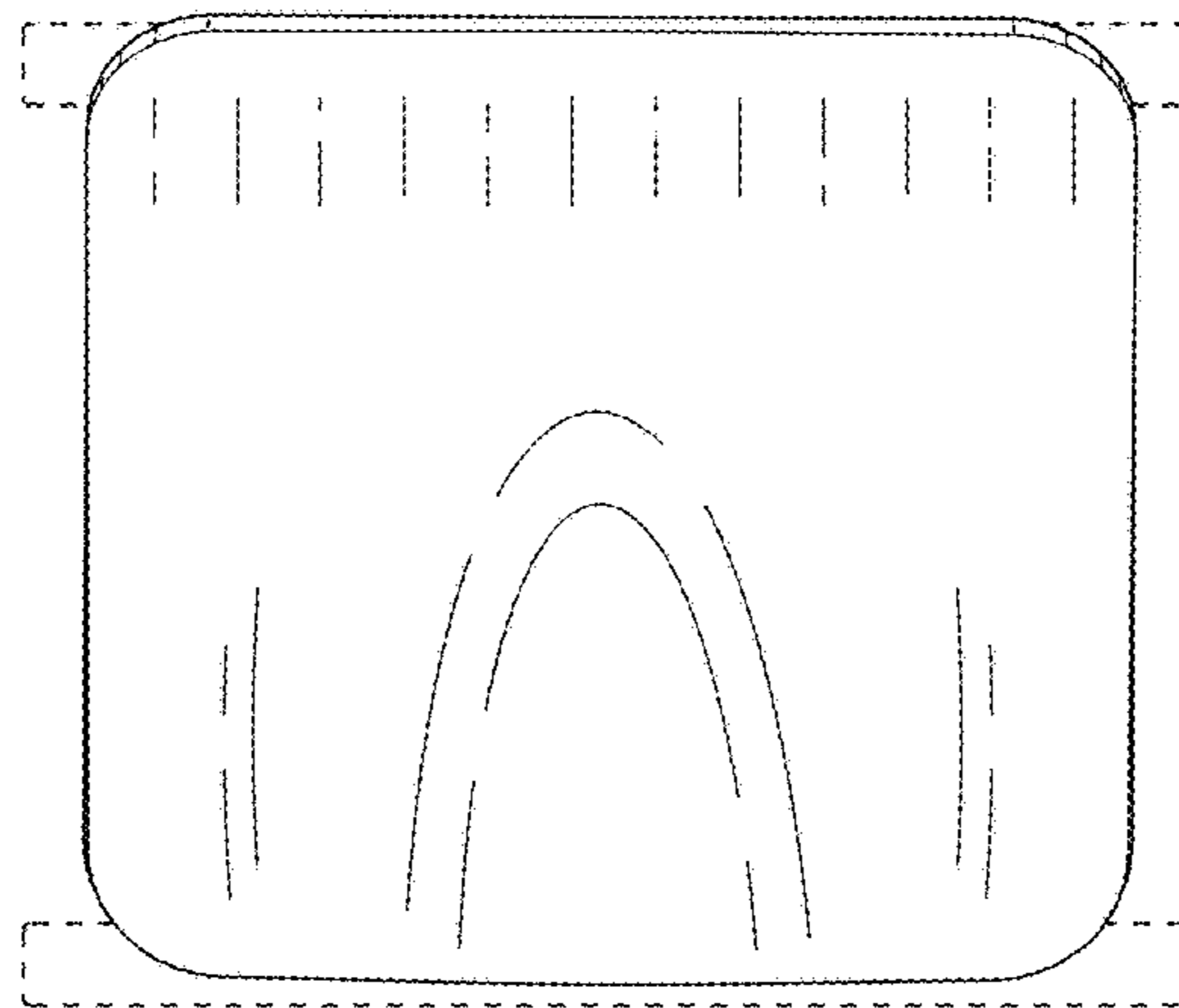


Fig. 7

