



US00D855365S

(12) **United States Design Patent** (10) **Patent No.:** **US D855,365 S**
Jackson et al. (45) **Date of Patent:** **** Aug. 6, 2019**

(54) **TOOL CHEST**

(71) Applicant: **Home Depot Product Authority, LLC**,
Atlanta, GA (US)

(72) Inventors: **Nicholas Jackson**, Marietta, GA (US);
Adam R. Green, Marietta, GA (US)

(73) Assignee: **Home Depot Product Authority, LLC**,
Atlanta, GA (US)

(**) Term: **15 Years**

(21) Appl. No.: **29/583,719**

(22) Filed: **Nov. 8, 2016**

Related U.S. Application Data

(62) Division of application No. 29/506,784, filed on Oct.
20, 2014, now Pat. No. Des. 770,815.

(51) **LOC (12) Cl.** **06-04**

(52) **U.S. Cl.**
USPC **D6/703**; D6/671; D6/671.1

(58) **Field of Classification Search**
USPC D6/663, 664, 671, 671.1, 671.2, 671.3,
D6/671.4, 703; D34/21
CPC A47B 17/04; A47B 43/00; A47B 45/00;
A47B 63/00; A47B 67/00; A47B 67/04;
A47B 88/00; A47B 88/04; A47B 96/20;
E05B 65/462

See application file for complete search history.

(56) **References Cited**

U.S. PATENT DOCUMENTS

D212,236 S * 9/1968 Merillat D6/703
D241,697 S * 10/1976 Hood D6/703
D254,883 S 5/1980 Jorda-Segui
D286,714 S 11/1986 Verholt
4,853,062 A * 8/1989 Gartland A47B 96/20
156/219
5,257,860 A 11/1993 Slivon

D392,127 S * 3/1998 Paus D6/703
D423,817 S 5/2000 Holcomb et al.
D423,818 S 5/2000 Holcomb et al.
D427,807 S 7/2000 Holcomb et al.
D492,141 S * 6/2004 Brandon D6/703
D510,830 S * 10/2005 Brandon D6/703
D566,995 S * 4/2008 Puksta D6/703
D569,134 S * 5/2008 Puksta D6/703
D588,843 S * 3/2009 Kohagen D6/703
D611,273 S * 3/2010 Kohagen D6/703
8,851,585 B2 10/2014 Chang

(Continued)

OTHER PUBLICATIONS

Office Action received in Chinese counterpart application
201630094694.X dated May 18, 2016 (2 pages).

Primary Examiner — Mimoso De

(74) *Attorney, Agent, or Firm* — Greenberg Traurig, LLP

(57) **CLAIM**

The ornamental design for a tool chest, as shown and
described.

DESCRIPTION

FIG. 1 is a perspective view of an embodiment of our tool
chest, in which only a portion of the tool chest (the right
side) is shown in solid lines;

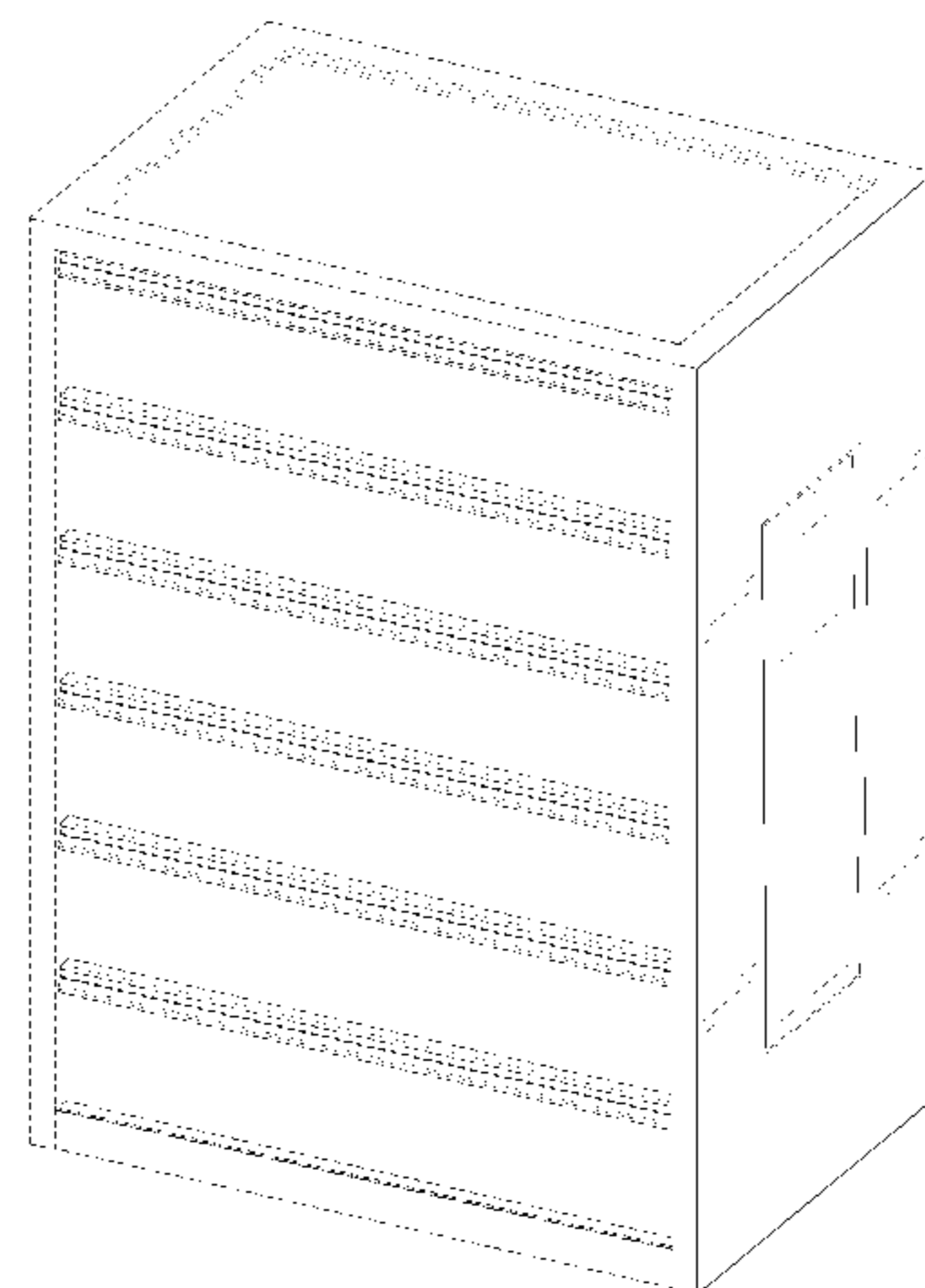
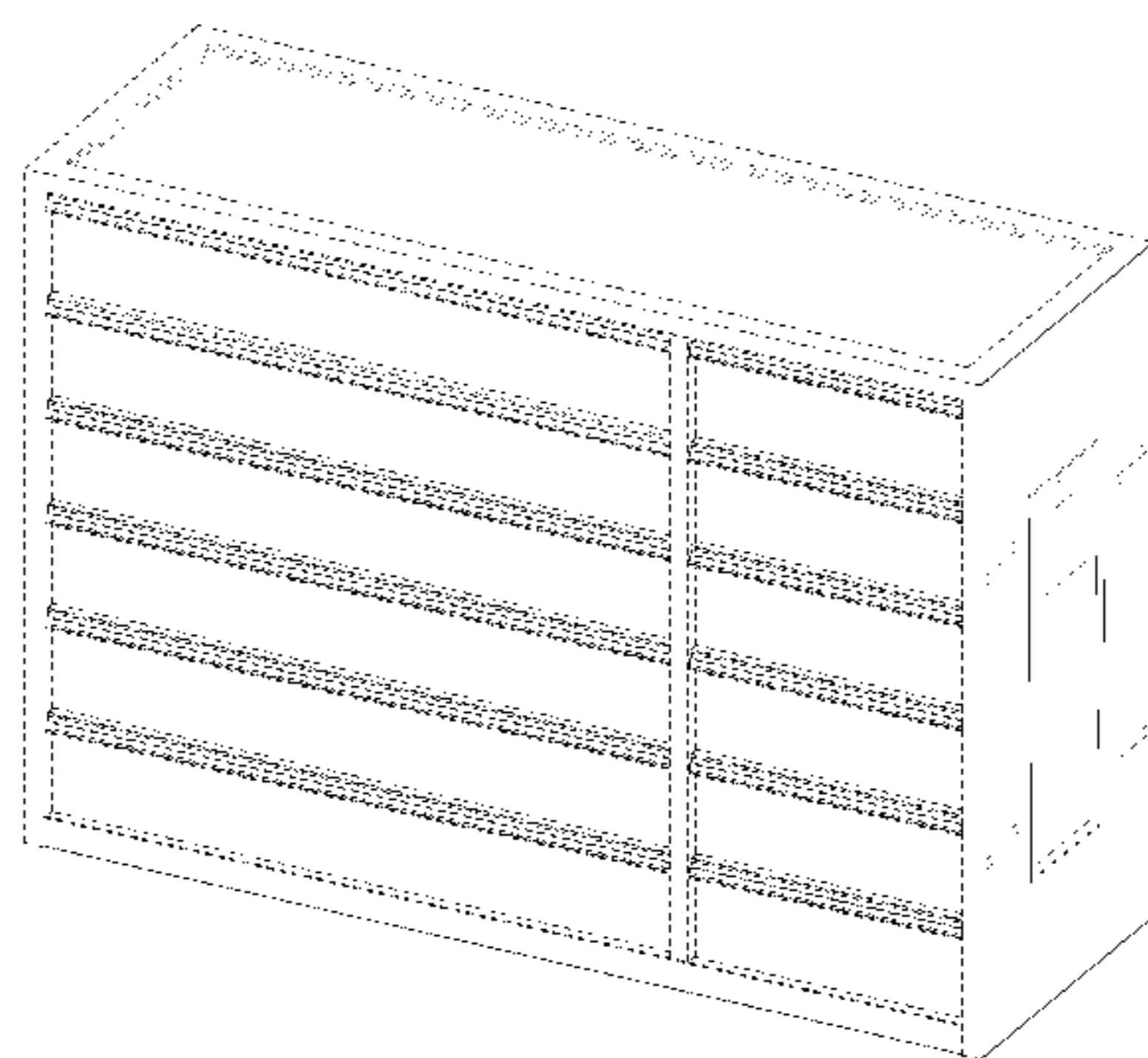
FIG. 2 shows the right side thereof;

FIG. 3 is a perspective view of an embodiment of our tool
chest, in which only a portion of the tool chest (the right
side) is shown in solid lines; and,

FIG. 4 is a perspective view of an embodiment of our tool
chest, in which only a portion of the tool chest (the top)
is shown in solid lines.

The dashed lines in the figures form no part of the claims
design. All other surface(s) or portion(s) of our tool chest
not shown in the figures or otherwise described in the specifi-
cation, including the back and bottom thereof, form no part
of the claimed design.

1 Claim, 4 Drawing Sheets



(56)

References Cited

U.S. PATENT DOCUMENTS

D732,858	S	6/2015	Troyner et al.	
D733,470	S	7/2015	Troyner et al.	
D734,069	S	7/2015	Zhao	
D734,070	S	7/2015	Zhao	
D741,624	S	10/2015	Freimuth	
D770,815	S *	11/2016	Jackson	D6/671.1
D824,194	S *	7/2018	Kagan	D6/671.1
2007/0228903	A1	10/2007	Liu	

* cited by examiner

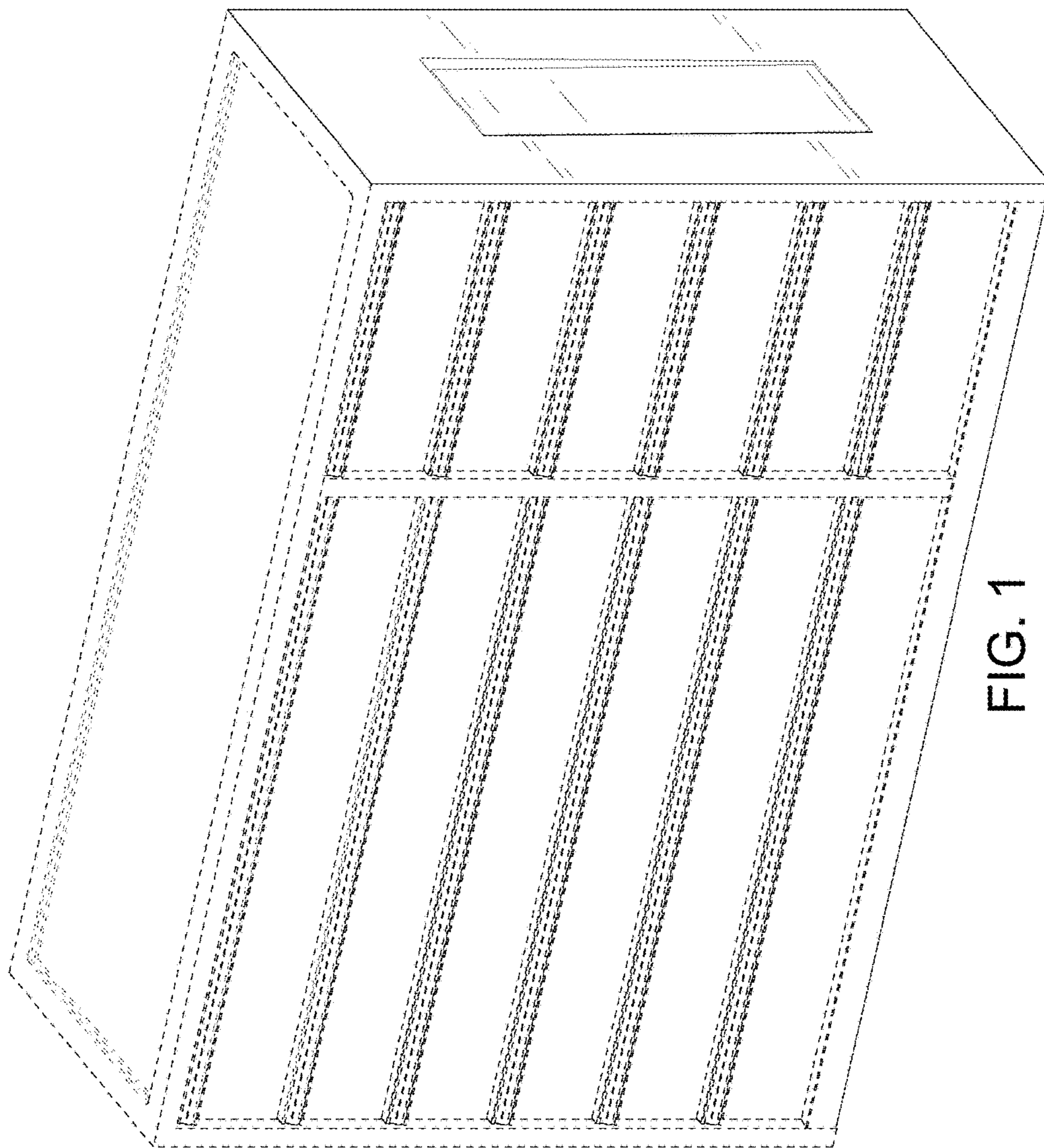


FIG. 1

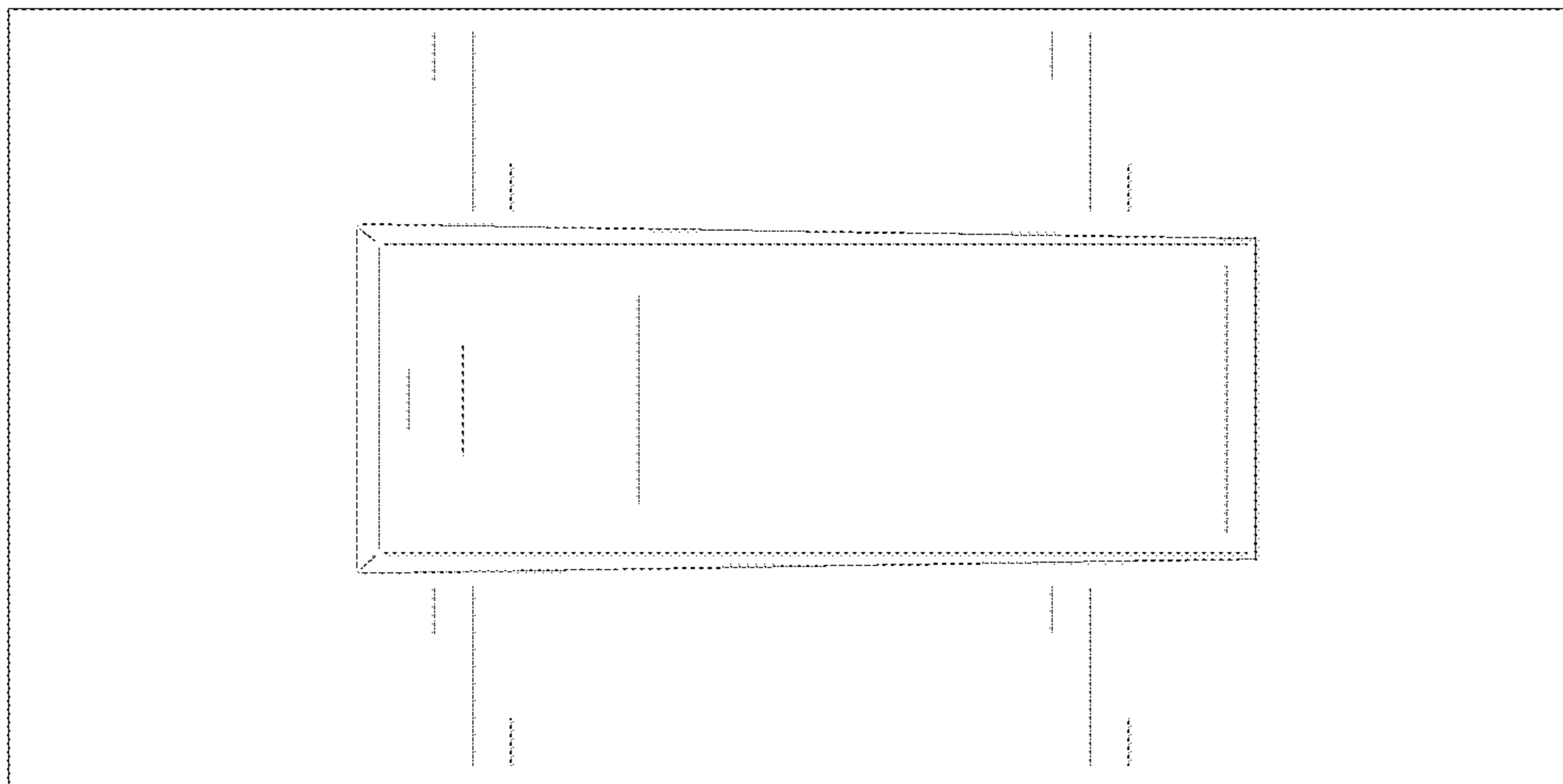


FIG. 2

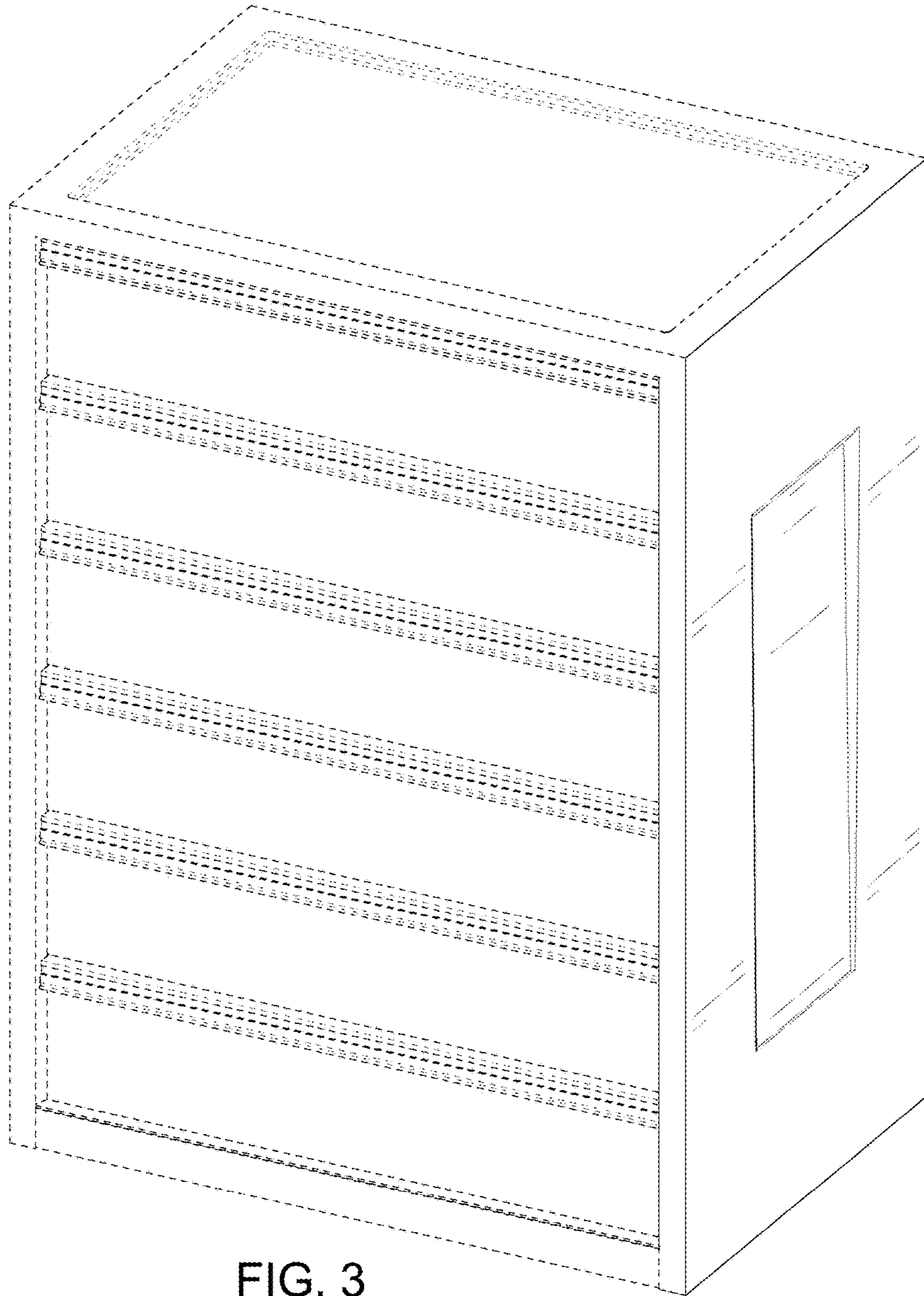


FIG. 3

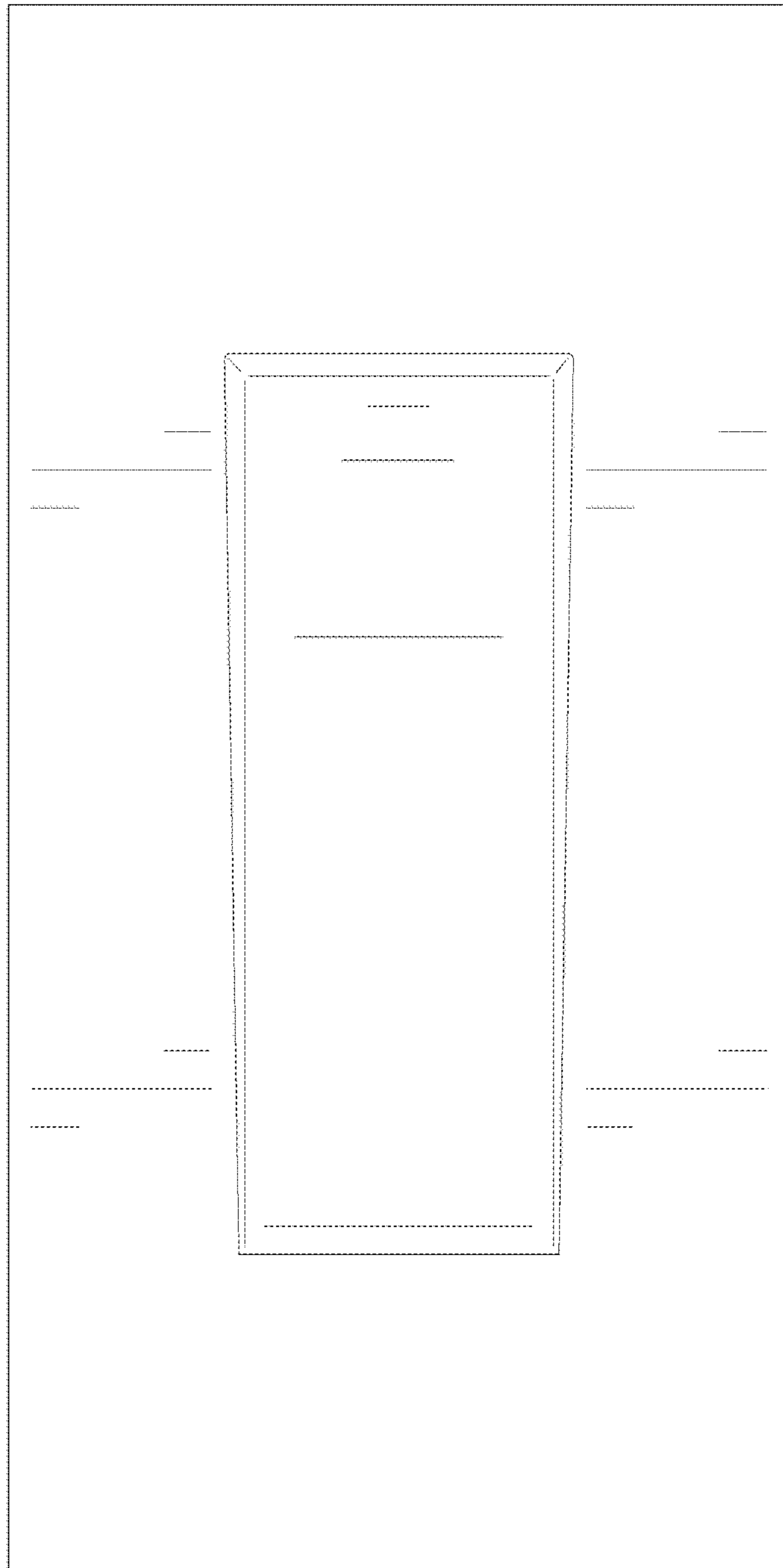


FIG. 4