



US00D855364S

(12) **United States Design Patent**
Kin et al.

(10) **Patent No.:** **US D855,364 S**

(45) **Date of Patent:** **** Aug. 6, 2019**

(54) **SIDE TABLE**

(71) Applicants: **Tham Siew Kin**, Kluang (MY);
Zachariah Dannett, Los Angeles, CA
(US)

(72) Inventors: **Tham Siew Kin**, Kluang (MY);
Zachariah Dannett, Los Angeles, CA
(US)

(73) Assignee: **Noble House Home Furnishings,**
LLC, Chatsworth, CA (US)

(**) Term: **15 Years**

(21) Appl. No.: **29/618,959**

(22) Filed: **Sep. 26, 2017**

(51) **LOC (12) Cl.** **06-03**

(52) **U.S. Cl.**
USPC **D6/691.1**

(58) **Field of Classification Search**

USPC D6/349, 355, 363, 641, 657, 685, 686,
D6/689, 690, 691, 691.1, 691.2, 691.3,
D6/691.4, 691.5, 691.6, 691.7, 691.8,
D6/691.9, 699, 699.1, 699.2, 699.3,
D6/699.4, 699.5, 702, 707, 707.15, 708,
D6/709

CPC .. A47B 37/00; A47B 3/00; A47B 1/00; A47B
3/06; A47B 3/08; A47B 7/00; A47B
21/00; A47B 23/00; A47B 25/00; A47B
13/08; A47B 3/083; A47B 3/14; A47B
41/00; A47B 17/00; A47B 3/0809; A47B
3/0812; A47B 2013/026; A47B 2200/03;
A47B 2200/00; A47B 2003/0821; A47C
3/045

See application file for complete search history.

(56) **References Cited**

U.S. PATENT DOCUMENTS

D113,409 S * 2/1939 Vavrik D6/691.6
D166,991 S * 6/1952 Ovendale D6/691.1

D169,933 S * 6/1953 Chapman D6/691.6
D171,017 S * 12/1953 Wagner 108/161
D172,569 S * 7/1954 Strinning D6/691.6
2,707,664 A * 5/1955 Marsilius A47B 3/083
108/127
D176,879 S * 2/1956 Petzold D6/691.1
D177,195 S * 3/1956 Smith D6/691.6
2,796,268 A * 6/1957 Larson A47B 3/0812
108/125
5,435,510 A * 7/1995 Wey A47B 13/06
248/163.1
D399,376 S * 10/1998 Orozco D6/691.8
(Continued)

OTHER PUBLICATIONS

Renee Firewood Dining Table, posted at Allmodern.com, posted on
May 22, 2017, site visited Mar. 7, 2019. online, available from
internet: [https://www.allmodern.com/furniture/pdp/trent-austin-design-renee-firwood-dining-table-trnt1180.html?piid=\(Year:2017\)*](https://www.allmodern.com/furniture/pdp/trent-austin-design-renee-firwood-dining-table-trnt1180.html?piid=(Year:2017)*)
(Continued)

Primary Examiner — Mary Ann Calabrese
Assistant Examiner — Catherine Ho

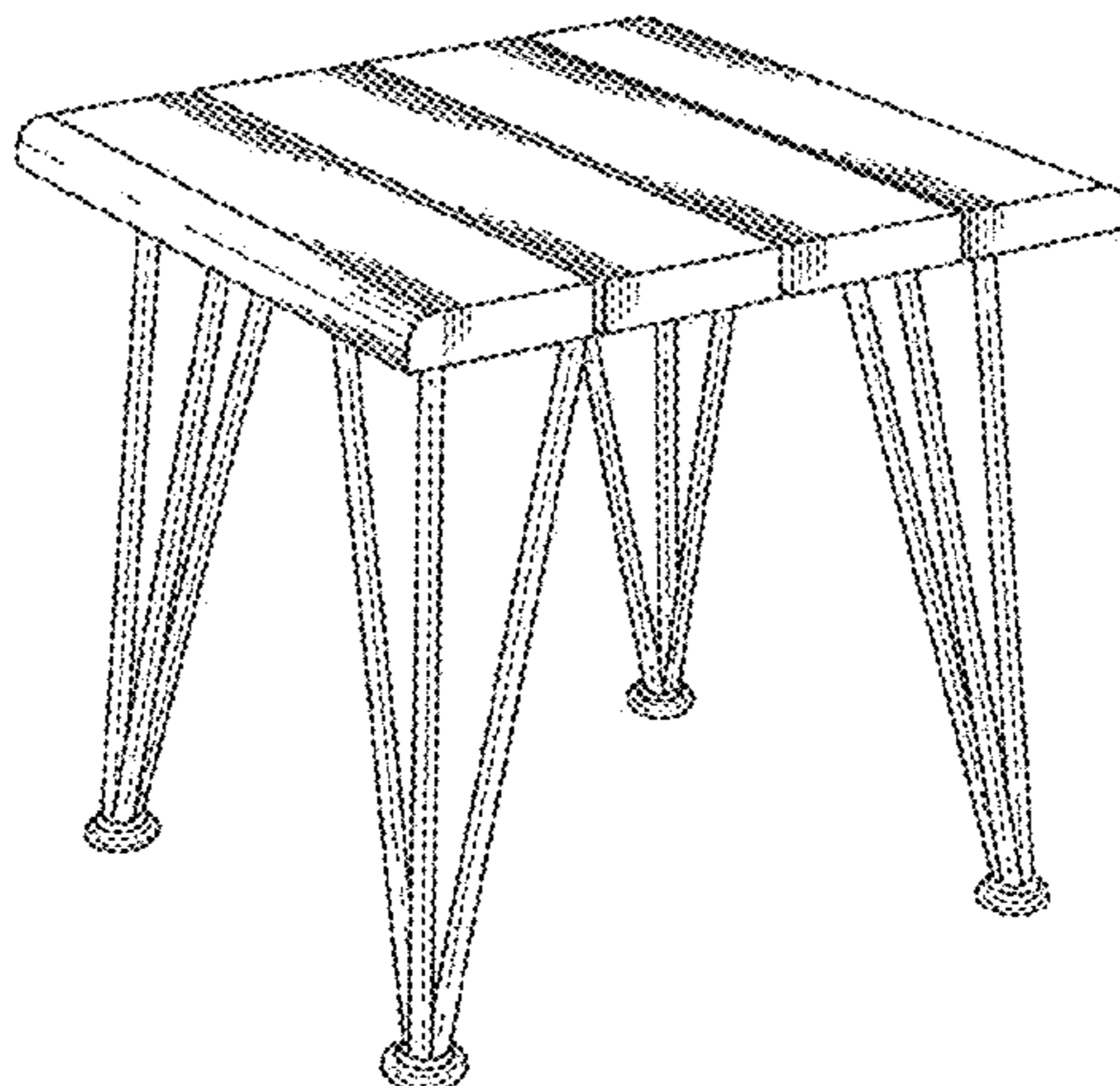
(57) **CLAIM**

The ornamental design for a side table, as shown and
described.

DESCRIPTION

FIG. 1 is a perspective view of a side table, showing our new
design;
FIG. 2 is a top view thereof;
FIG. 3 is a bottom view thereof;
FIG. 4 is a front view thereof, the back view being an
identical view thereof; and,
FIG. 5 is a side view thereof, the opposite side being an
identical view thereof.

1 Claim, 3 Drawing Sheets



(56)

References Cited

U.S. PATENT DOCUMENTS

D487,980 S * 4/2004 Murphy D6/349
6,865,985 B2 * 3/2005 Zheng A47B 3/0818
100/127

OTHER PUBLICATIONS

Rustic Dining Table, posted at Teaonthetyne.com, posted on Jan. 16, 2016, site visited Mar. 7, 2019. online, available from internet: <http://www.teaonthetyne.com/2016/01/diy-tutorial-rustic-dining-table-with.html> (Year: 2016).*

Nosiesta.co, posted at Videos.osbornewood.com, posted on Aug. 19, 2016, site visited Mar. 6, 2019. online, available from internet: <https://videos.osbornewood.com/wp-content/uploads/2016/02/2016-02-01-15.14.30.jpg> (Year: 2016).*

6' Hairpin Table, posted at Emmorworks.com, posted on Aug. 21, 2016, site visited Mar. 6, 2019. online, available from internet: <https://web.archive.org/web/20160821171047/https://www.emmorworks.com/product/hairpin-tables/> (Year: 2016).*

* cited by examiner

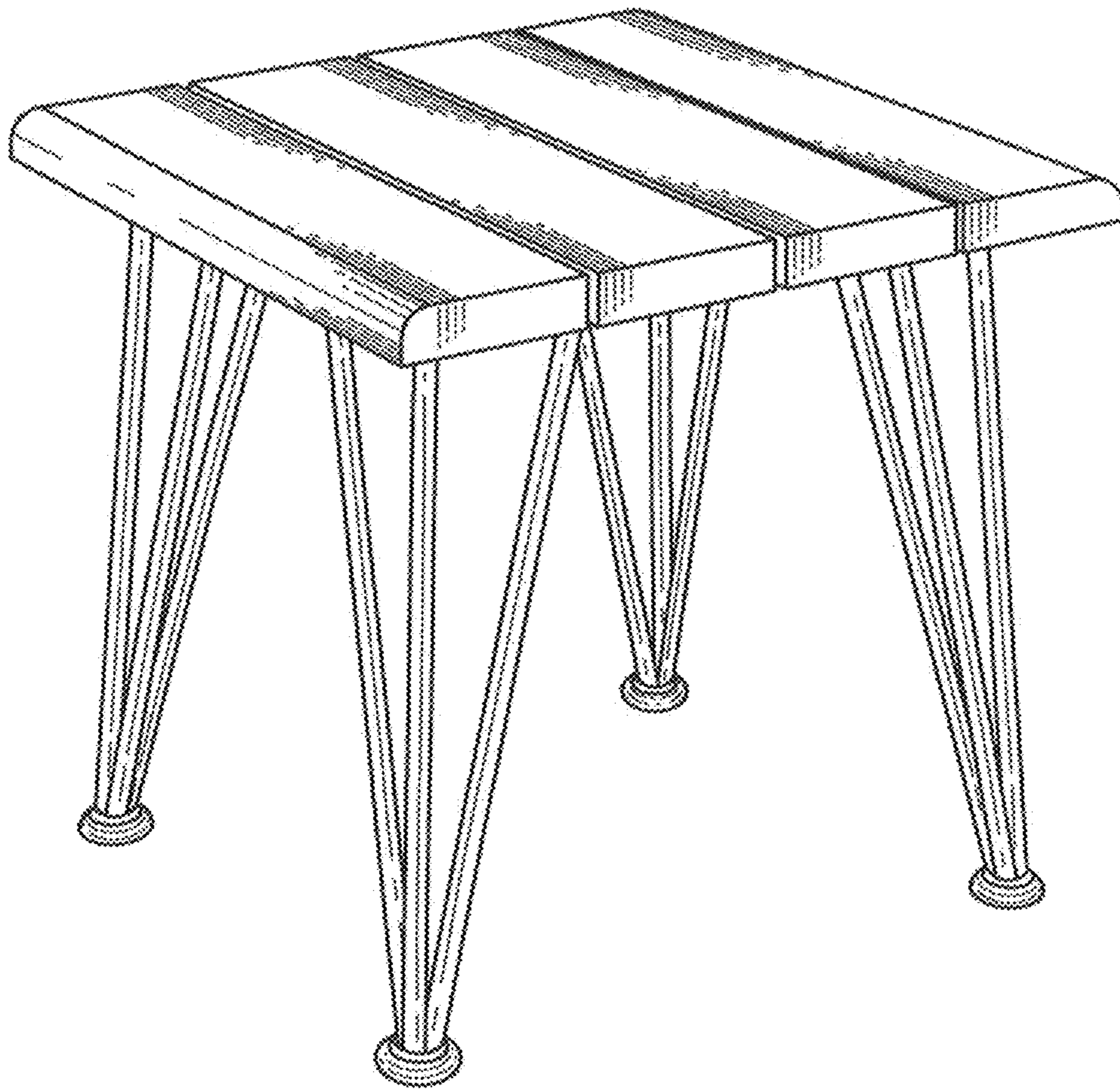


FIG. 1

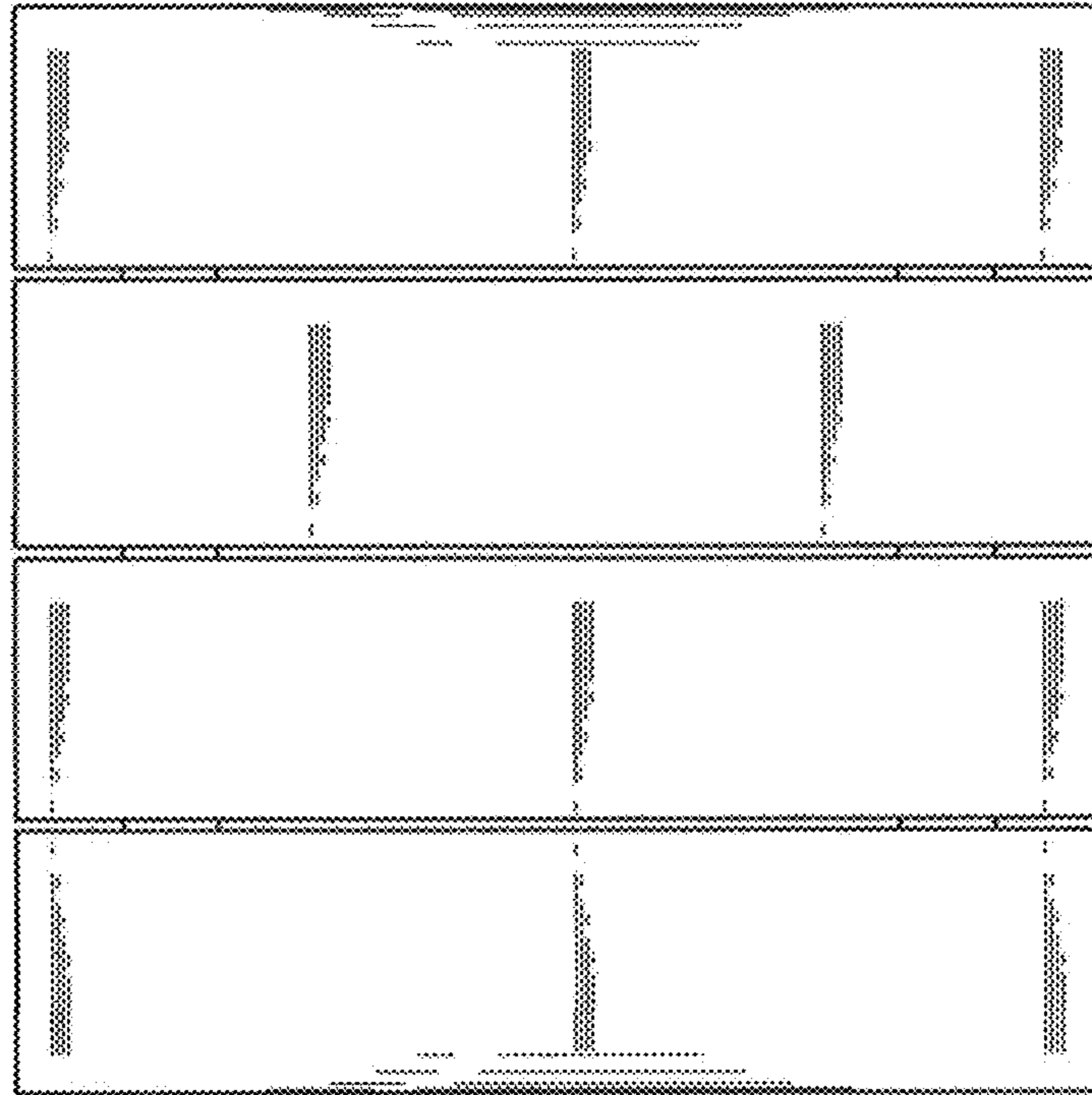


FIG. 2

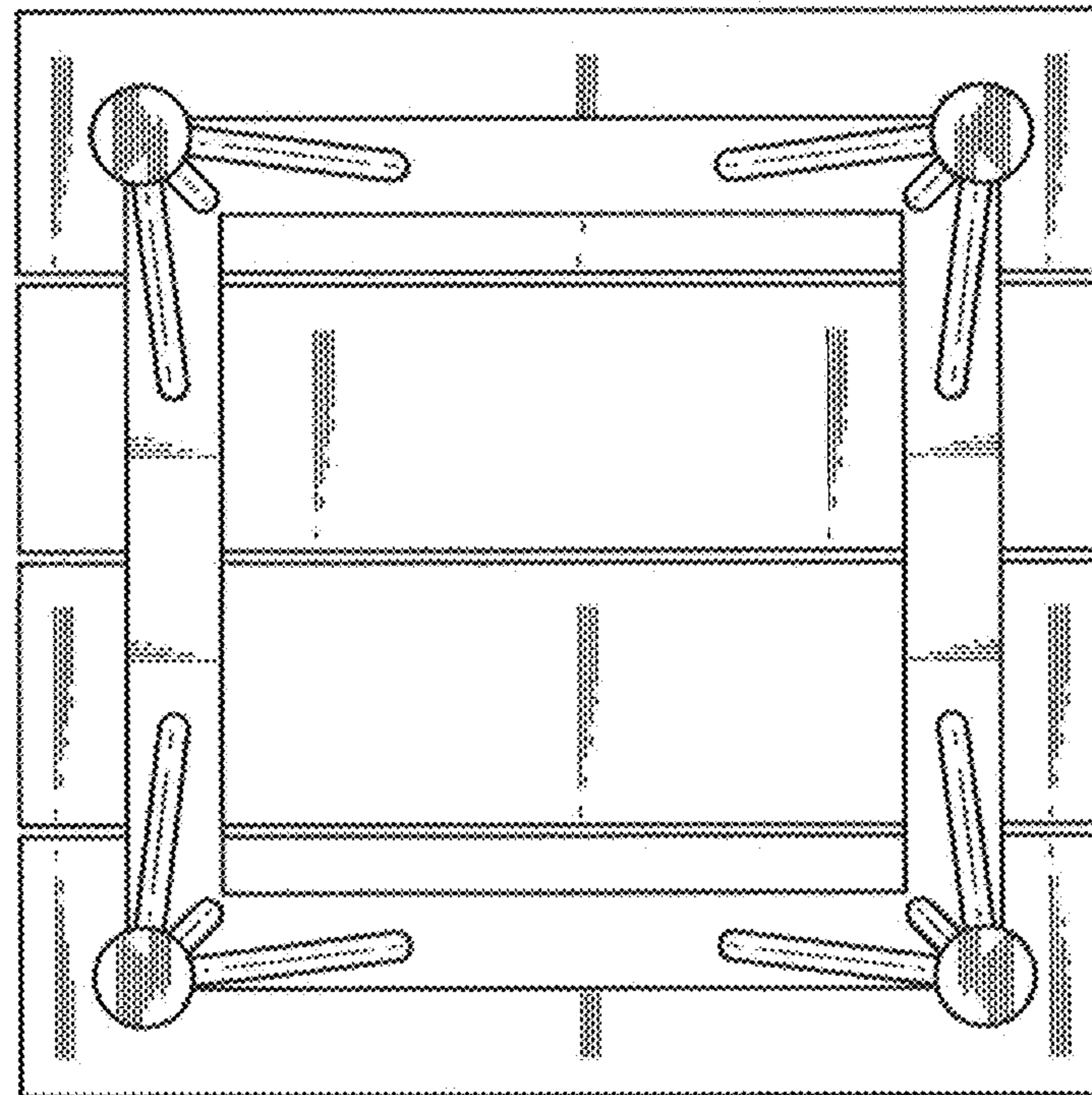


FIG. 3

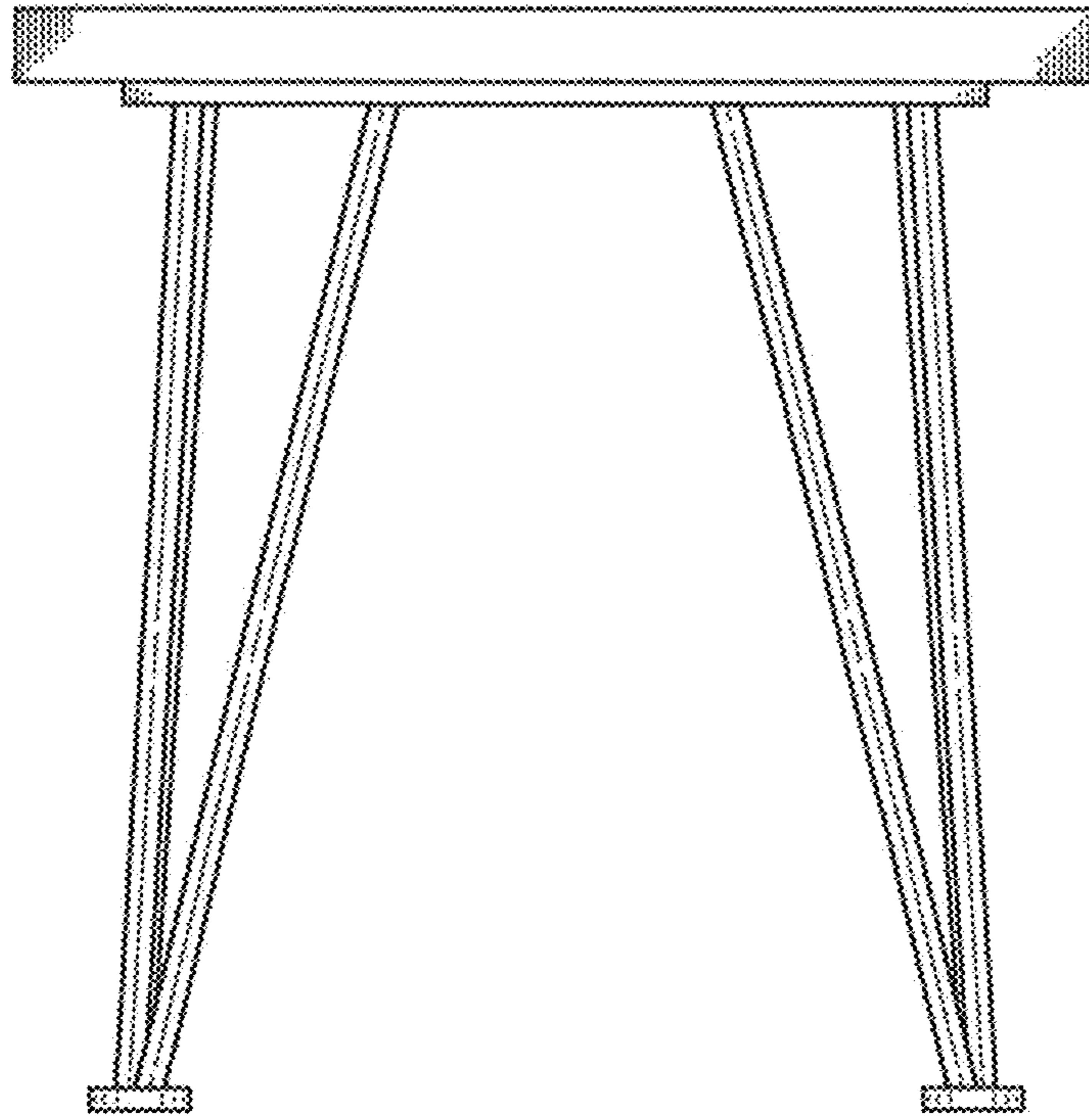


FIG. 4

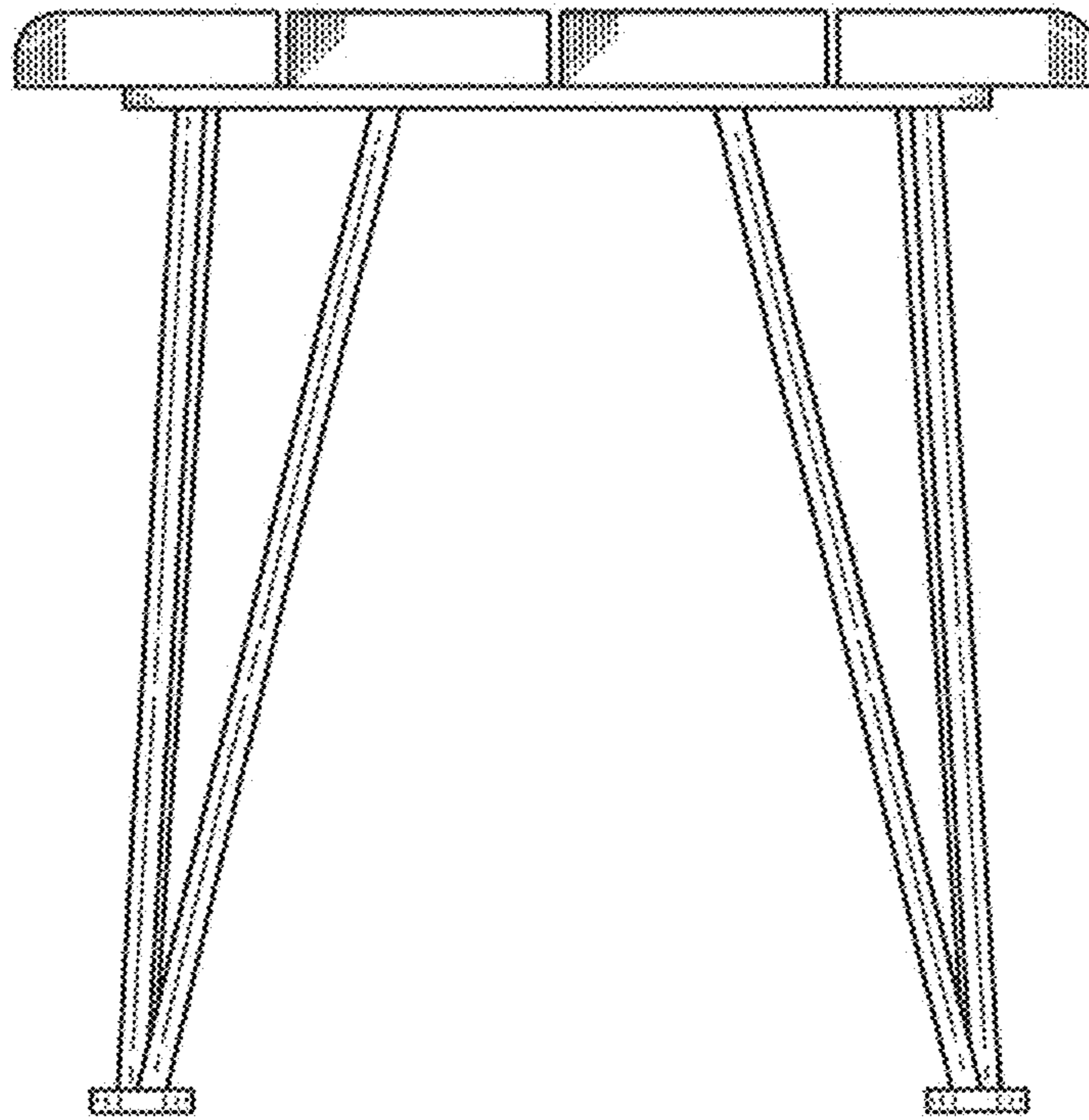


FIG. 5