



US00D855362S

(12) **United States Design Patent** (10) **Patent No.:** **US D855,362 S**
Tham et al. (45) **Date of Patent:** **** Aug. 6, 2019**

- (54) **RECTANGULAR TABLE**
- (71) Applicants: **Siew Kin Tham**, Kluang (MY);
Zachariah Dannett, Los Angeles, CA (US)
- (72) Inventors: **Siew Kin Tham**, Kluang (MY);
Zachariah Dannett, Los Angeles, CA (US)
- (73) Assignee: **Noble House Home Furnishings, LLC**, Chatsworth, CA (US)
- (**) Term: **15 Years**
- (21) Appl. No.: **29/634,608**
- (22) Filed: **Jan. 23, 2018**
- (51) **LOC (12) Cl.** **06-03**
- (52) **U.S. Cl.**
USPC **D6/689**
- (58) **Field of Classification Search**
USPC D6/641, 657, 685, 686, 689, 690, 691, D6/691.1, 691.2, 691.3, 691.4, 691.5, D6/691.6, 691.7, 691.8, 691.9, 699, D6/699.1, 699.2, 699.3, 699.4, 699.5, D6/702, 707, 707.15, 708, 709
CPC .. A47B 37/00; A47B 3/00; A47B 1/00; A47B 3/06; A47B 3/08; A47B 7/00; A47B 21/00; A47B 23/00; A47B 25/00; A47B 13/08; A47B 3/083; A47B 3/14; A47B 41/00; A47B 17/00; A47B 3/0809; A47B 3/0812; A47B 2013/026; A47B 2200/03; A47B 2200/00; A47B 2003/0821; A47C 3/045
See application file for complete search history.

- D178,093 S * 6/1956 Koert D6/691.9
- D376,712 S * 12/1996 Mezger D6/656
- D591,539 S * 5/2009 Bracher D6/708
- D604,958 S * 12/2009 Symons D6/656
- D726,460 S * 4/2015 Arnon D6/689
- D775,876 S * 1/2017 Gaschy D6/691
- D792,134 S * 7/2017 Bougay D6/691
- D797,478 S * 9/2017 Merritt D6/691
- D801,092 S * 10/2017 Merritt D6/691
- D828,061 S * 9/2018 Davis D6/691.3

OTHER PUBLICATIONS

Gila, posted at Overstock.com, posted on May 17, 2018, site visited Mar. 6, 2019. online, available from internet: <https://www.overstock.com/Home-Garden/Gila-Outdoor-7-Piece-Rectangle-Wicker-Dining-Set-by-Christopher-Knight-Home/17619673/product.html> (Year: 2018).*

Wayfair.com, posted at Secure.img.wfcdn.com, posted on Jan. 4, 2017, site visited Mar. 6, 2019. online, available from internet: <https://secure.img.wfcdn.com/lf/maxsquare/hash/40128/29208560/1/Latitude-Run-Marissa-Outdoor-7-Piece-Dining-Set-LTRN2657.jpg> (Year: 2017).*

* cited by examiner

Primary Examiner — Mary Ann Calabrese
Assistant Examiner — Catherine Ho

(57) **CLAIM**

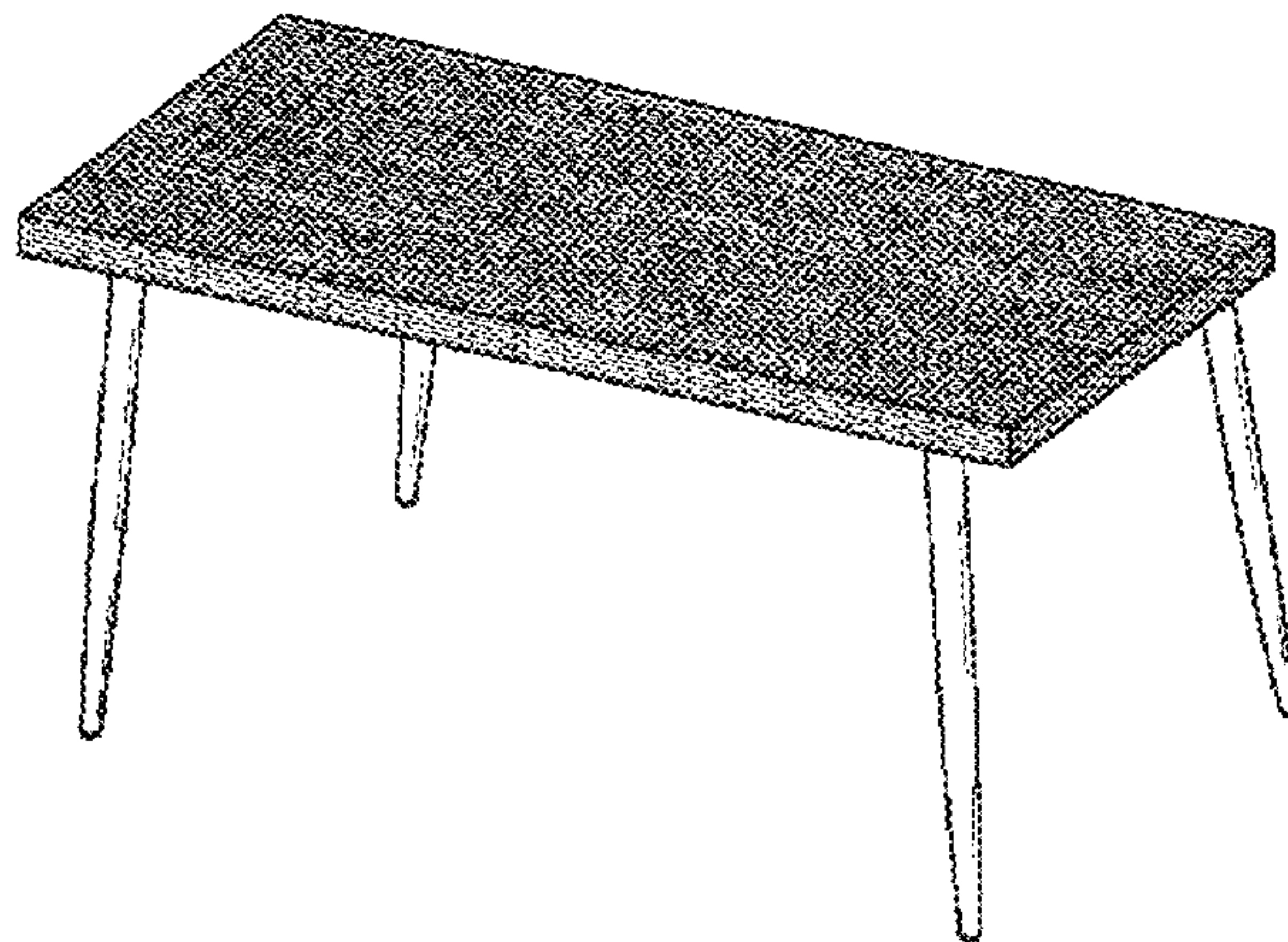
The ornamental design for a rectangular table, as shown and described.

DESCRIPTION

FIG. 1 is a perspective view of a rectangular table, showing our new design;
FIG. 2 is a front view thereof, the back view being an identical image thereof;
FIG. 3 is a side view thereof, the opposite side view being an identical image thereof;
FIG. 4 is a top view thereof; and,
FIG. 5 is a bottom view thereof.

1 Claim, 5 Drawing Sheets

- (56) **References Cited**
U.S. PATENT DOCUMENTS
D164,075 S * 7/1951 Wallace D6/691
D175,195 S * 7/1955 Streng D6/691.8



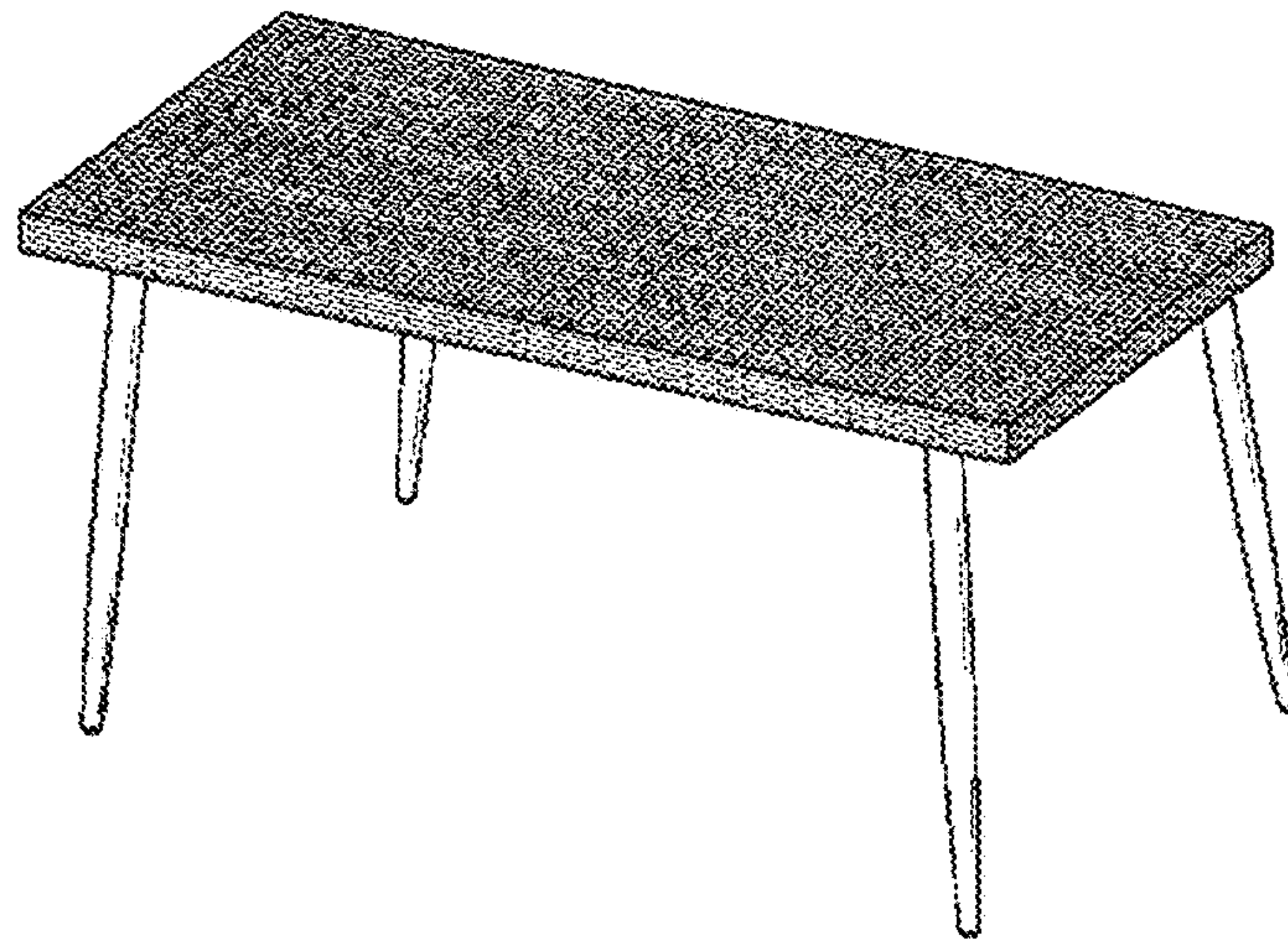


FIG.1

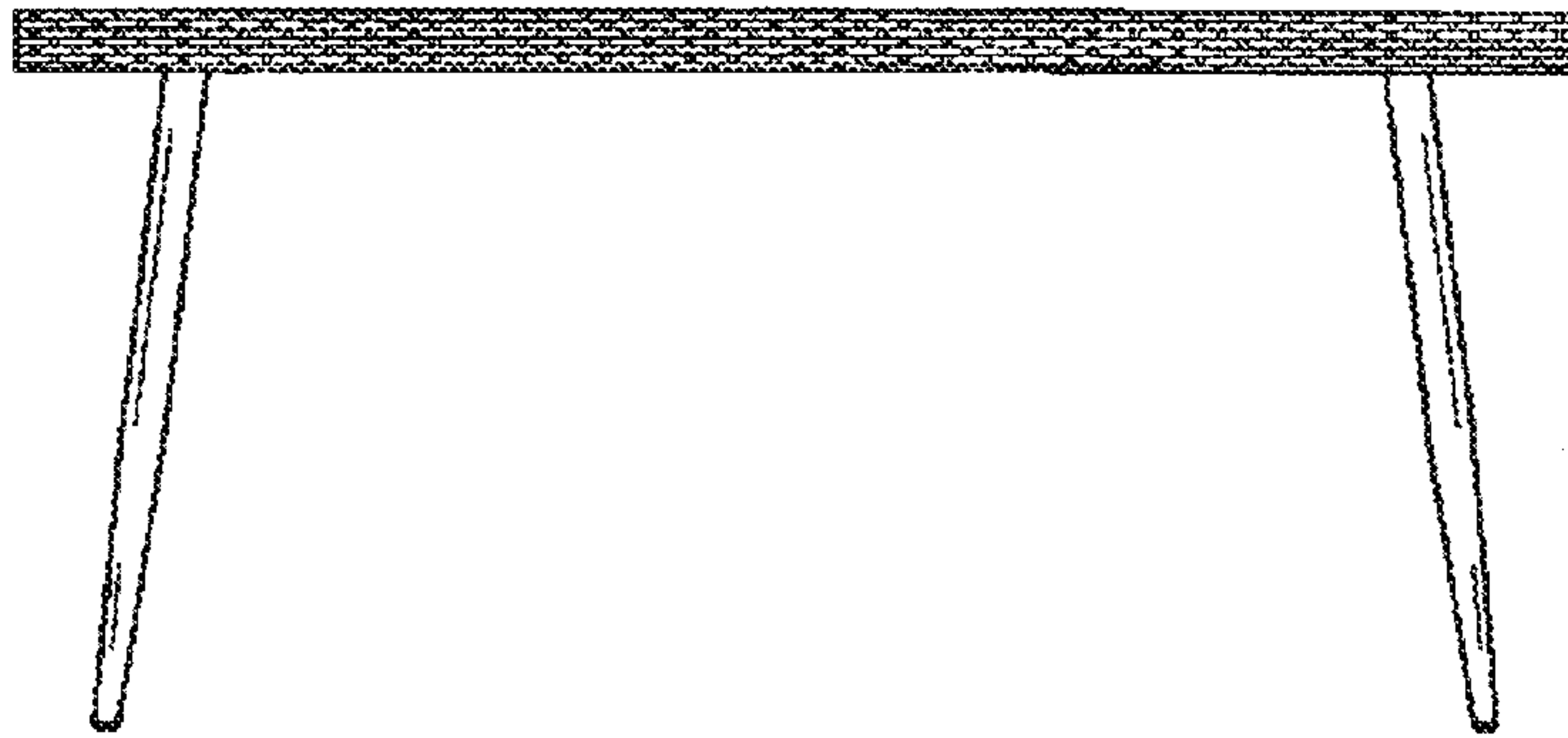


FIG.2

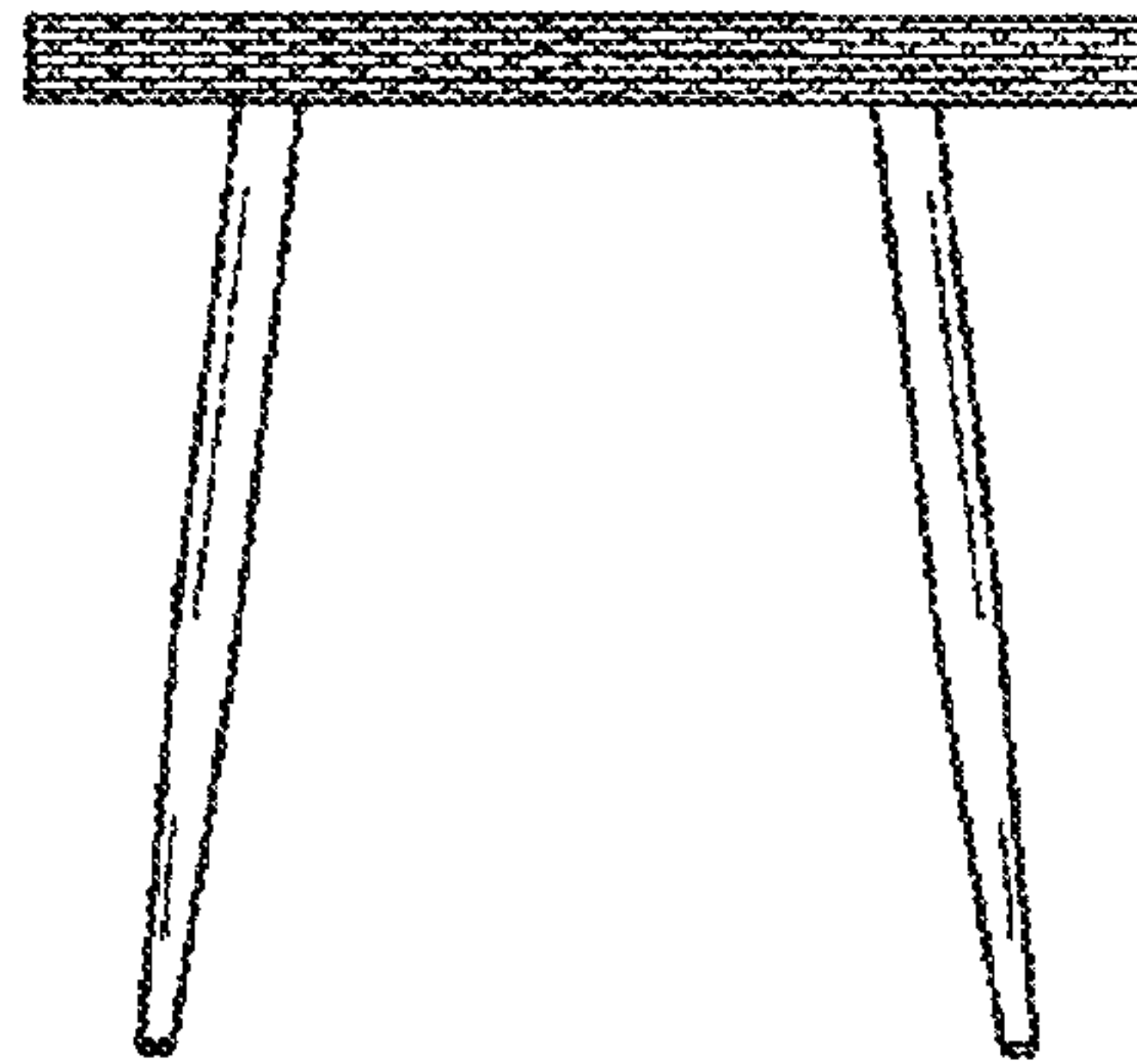


FIG.3

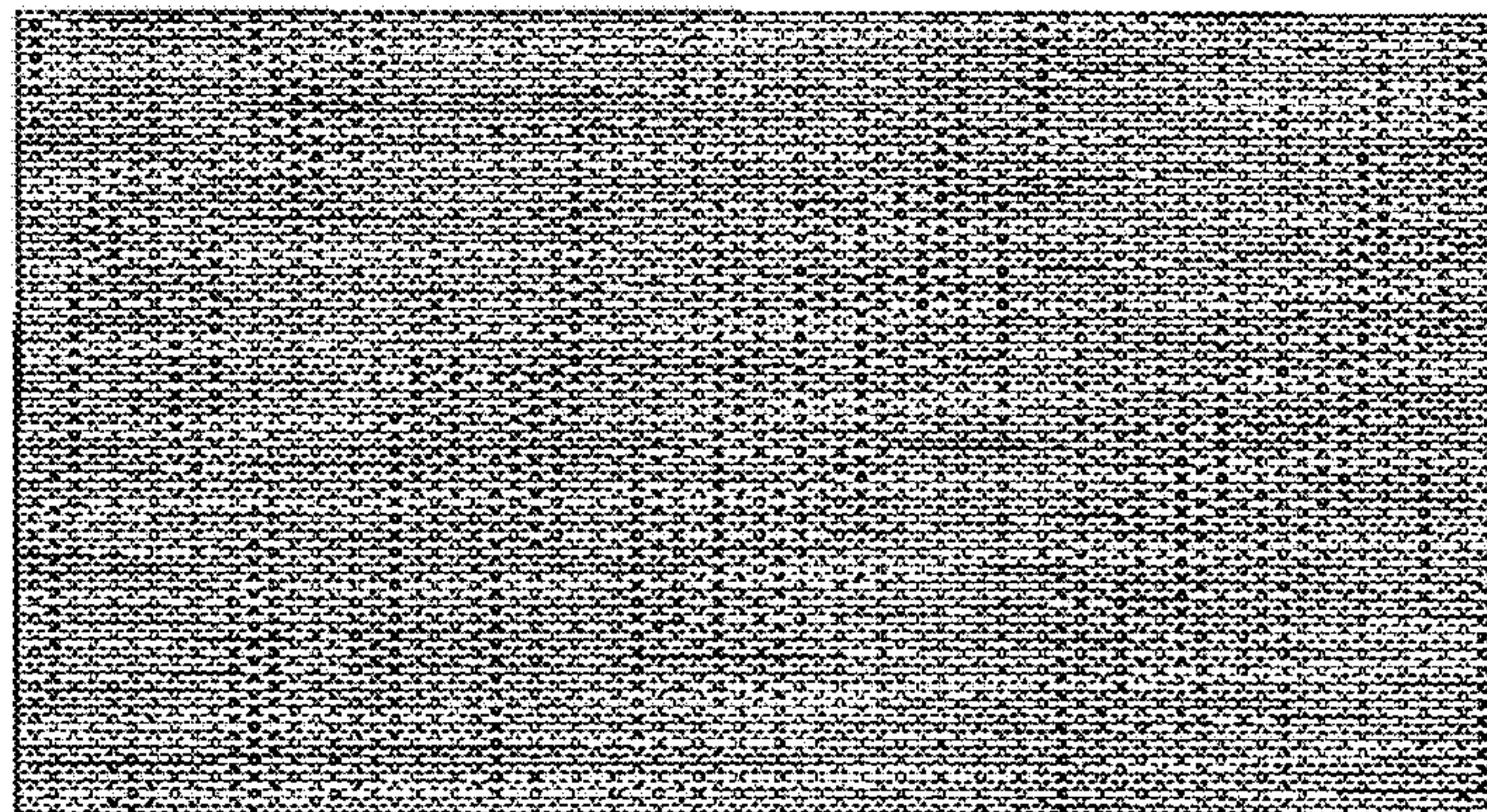


FIG.4

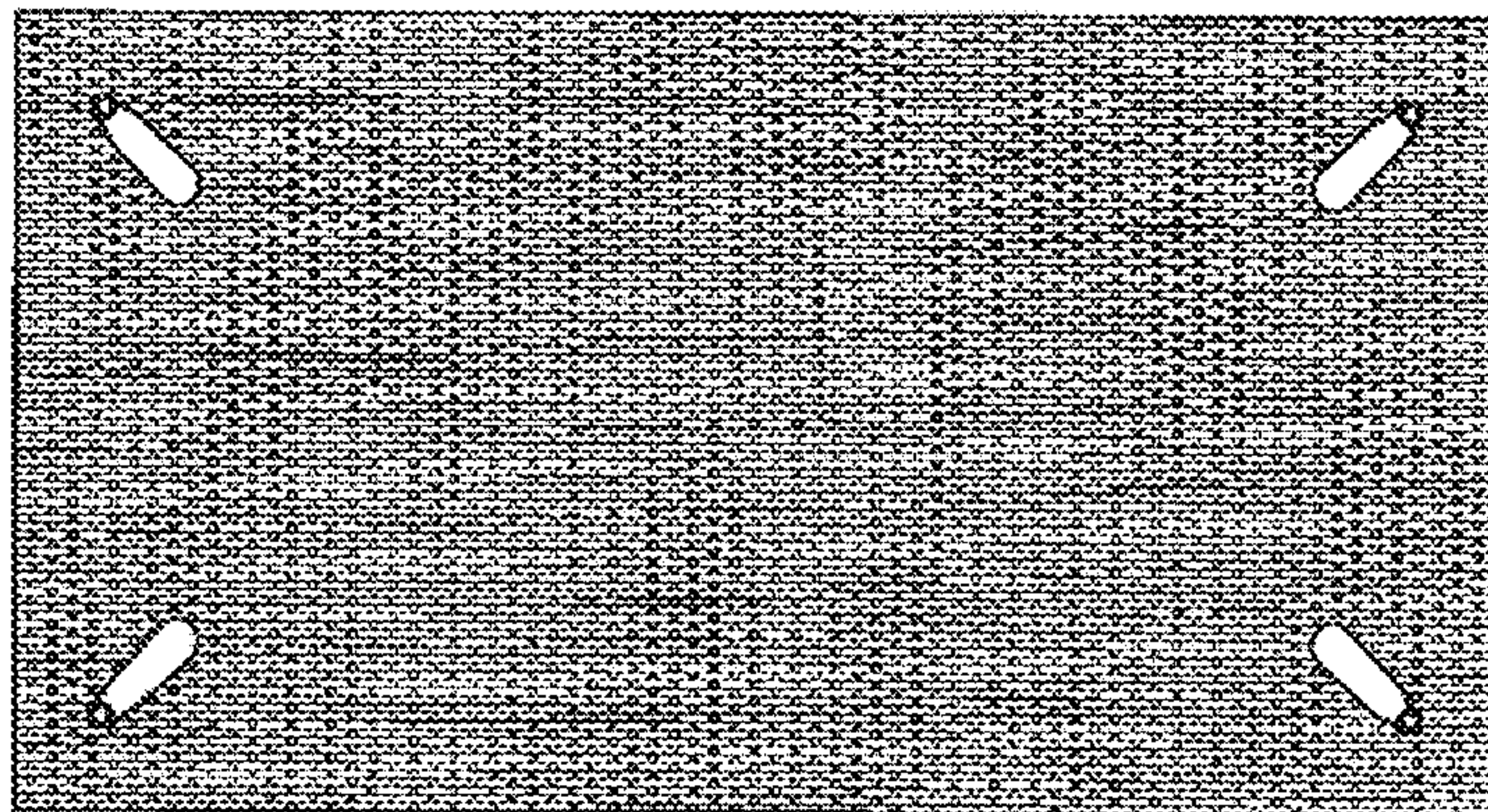


FIG.5