



US00D855361S

(12) **United States Design Patent** (10) **Patent No.:** **US D855,361 S**
Eteläaho et al. (45) **Date of Patent:** **** Aug. 6, 2019**

(54) **COMBINED SHELVING AND RACK SYSTEM**
 (71) Applicant: **Notta Systems Oy**, Seinäjoki (FI)
 (72) Inventors: **Janne Eteläaho**, Tuomikylä (FI); **Jari Kinnari**, Laihia (FI)
 (73) Assignee: **NOTTA SYSTEMS OY**, Seinäjoki (FI)
 (**) Term: **15 Years**
 (21) Appl. No.: **29/595,551**
 (22) Filed: **Feb. 28, 2017**
 (30) **Foreign Application Priority Data**

Aug. 30, 2016 (EM) 003357359-0002

(51) **LOC (12) Cl.** **06-04**
 (52) **U.S. Cl.**
 USPC **D6/681.2**
 (58) **Field of Classification Search**
 USPC D6/662, 663, 668, 668.1, 651.1-657.4,
 D6/681.2
 CPC A47B 43/00; A47B 43/003; A47B 46/00;
 A47B 46/005; A47B 47/00; A47B 49/00;
 A47B 57/00; A47F 5/00; A47F 5/0018;
 A47F 5/01; A47F 5/16; A47F 7/00
 See application file for complete search history.

(56) **References Cited**

U.S. PATENT DOCUMENTS

1,698,974 A * 1/1929 Vance A47B 81/005
 211/135
 D115,103 S * 6/1939 Erickson et al. D6/675.2
 D116,797 S * 9/1939 Erickson et al. D6/675.1
 D196,624 S * 10/1963 Gelles et al. D6/675.1
 3,538,862 A * 11/1970 Patriarca A47B 57/485
 108/144.11

3,664,063 A * 5/1972 Ware A01G 9/022
 108/23
 3,827,376 A * 8/1974 Solomon A47B 31/04
 108/177
 D242,751 S * 12/1976 Wells D6/680
 D243,906 S * 4/1977 Ware D11/144
 D258,790 S * 4/1981 Ovitz, III D6/682
 D269,754 S * 7/1983 Kates D6/675.1
 D272,027 S * 1/1984 Hagberg D6/678.3
 D272,400 S * 1/1984 Persch D6/629
 D281,381 S * 11/1985 Moher, Jr. D6/661.2
 D295,931 S * 5/1988 Bezzerides D6/675.2
 D367,372 S * 2/1996 Eng D6/672
 D367,374 S * 2/1996 Gerber D6/657
 D396,968 S * 8/1998 Gongora D6/672
 D400,738 S * 11/1998 Bustos D6/672
 D402,133 S * 12/1998 Anderson D6/657
 5,987,812 A * 11/1999 Knell A47G 7/041
 47/18
 D437,708 S * 2/2001 Bargmann D6/673
 (Continued)

Primary Examiner — John Windmuller
Assistant Examiner — Steven J Czyz
 (74) *Attorney, Agent, or Firm* — FisherBroyles, LLP

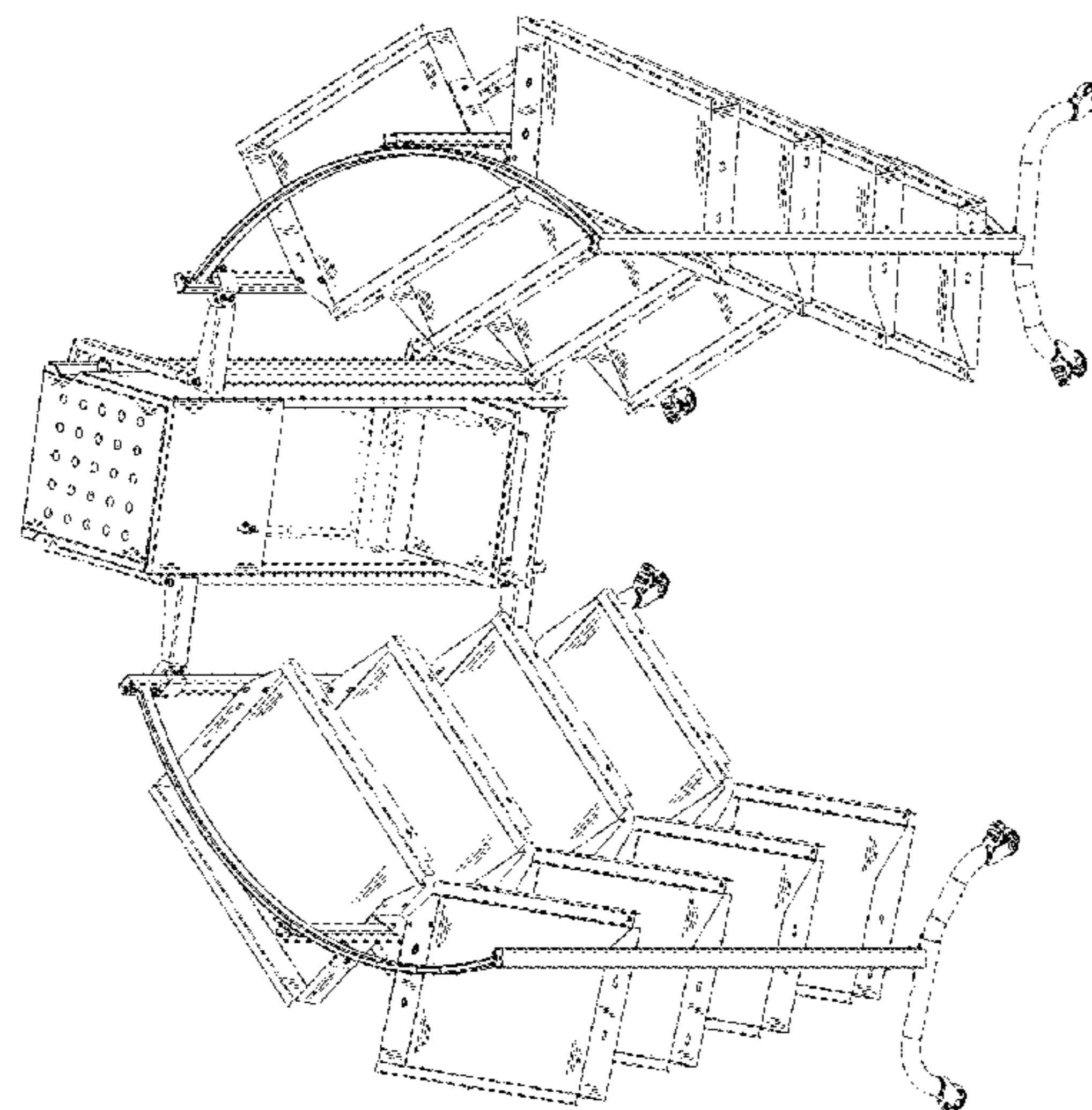
(57) **CLAIM**

The ornamental design for a combined shelving and rack system, as shown and described.

DESCRIPTION

FIG. 1 is a front perspective view of a combined shelving and rack system;
 FIG. 2 is a rear perspective view thereof;
 FIG. 3 is a front view thereof;
 FIG. 4 is a rear view thereof;
 FIG. 5 is a right side view thereof;
 FIG. 6 is a top view thereof; and,
 FIG. 7 is a bottom view thereof.
 The broken lines depict portions of the article that form no part of the claimed design.

1 Claim, 7 Drawing Sheets



(56)

References Cited

U.S. PATENT DOCUMENTS

6,267,064 B1 * 7/2001 Ostertag A47B 13/021
108/108
D486,982 S * 2/2004 Hessell D6/675.4
D498,607 S * 11/2004 Hocking D6/675.2
D573,811 S * 7/2008 Weigand D6/682
D598,220 S * 8/2009 Sparkowski D6/675.2
D732,304 S * 6/2015 Nunez D6/405
D781,080 S * 3/2017 Jordan D6/675.1

* cited by examiner

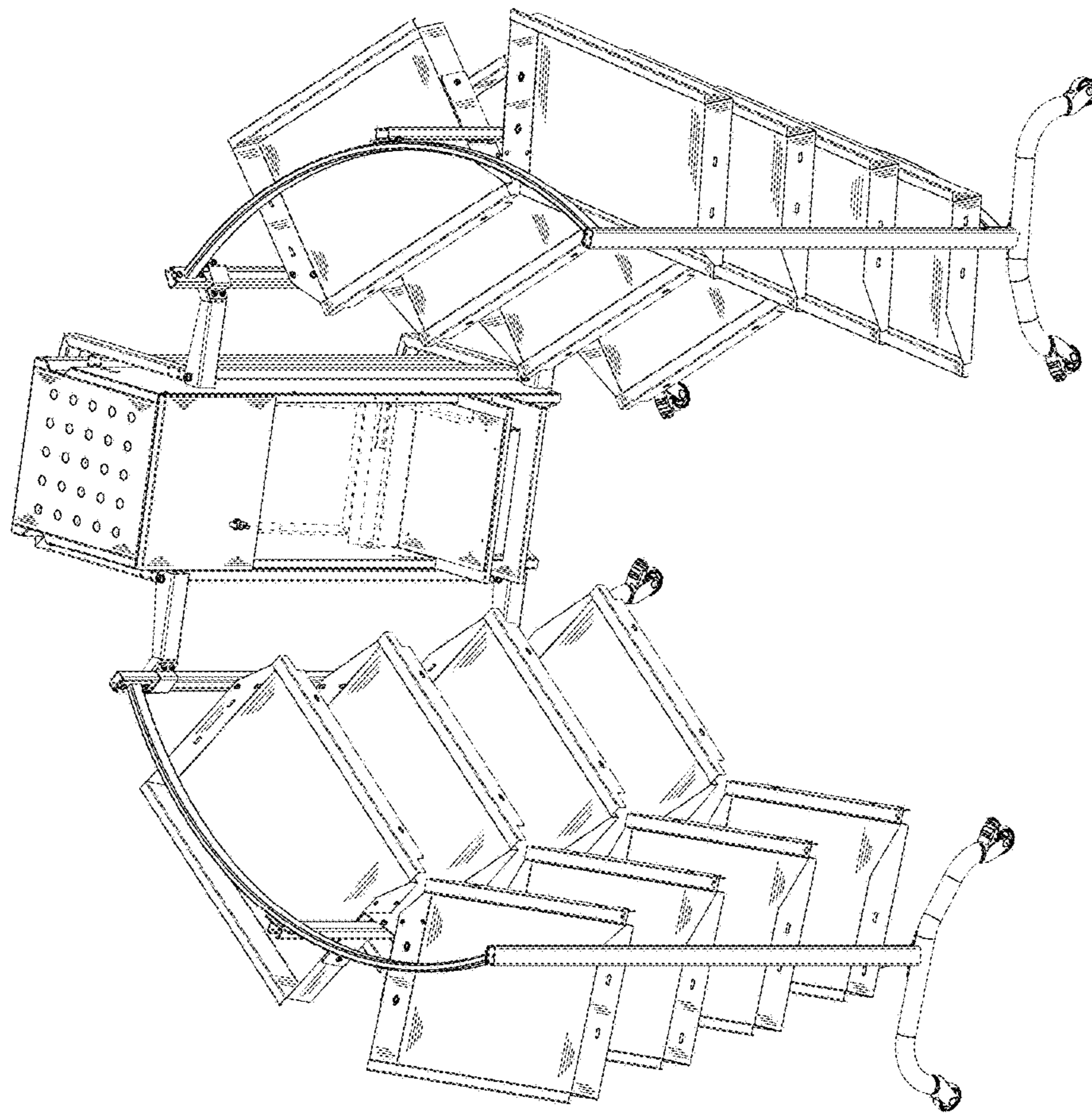


Fig. 1

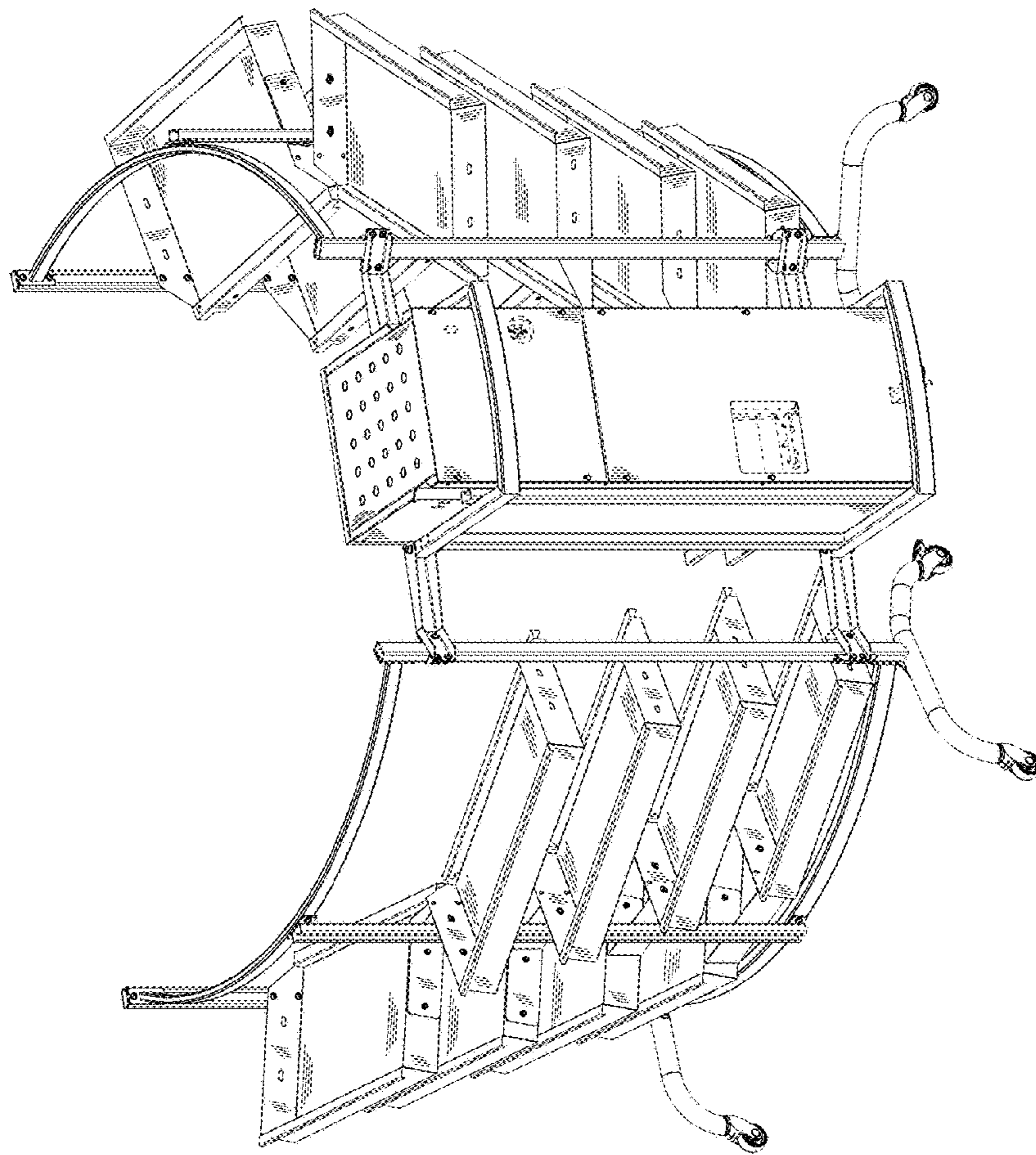


Fig. 2

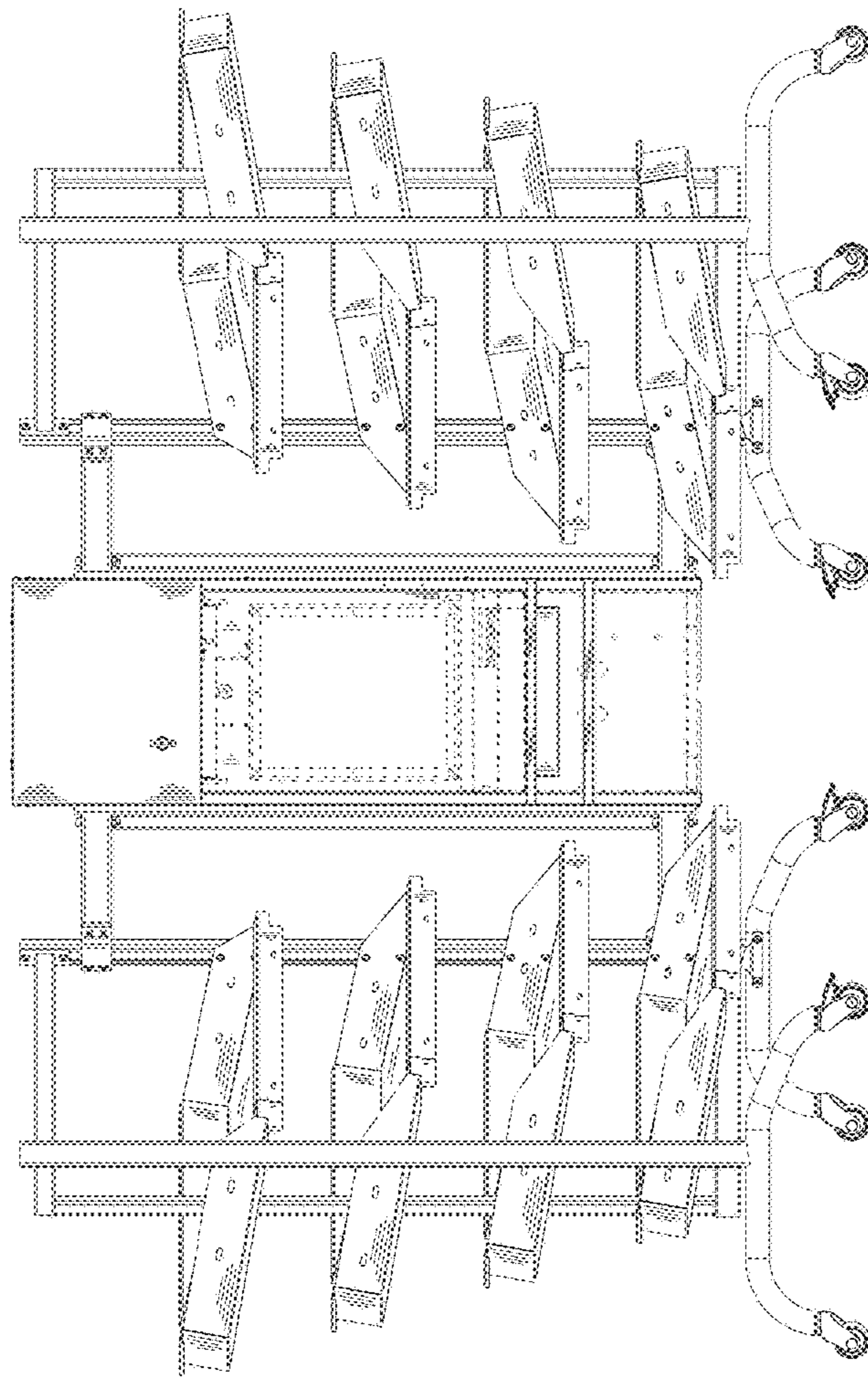


Fig. 3

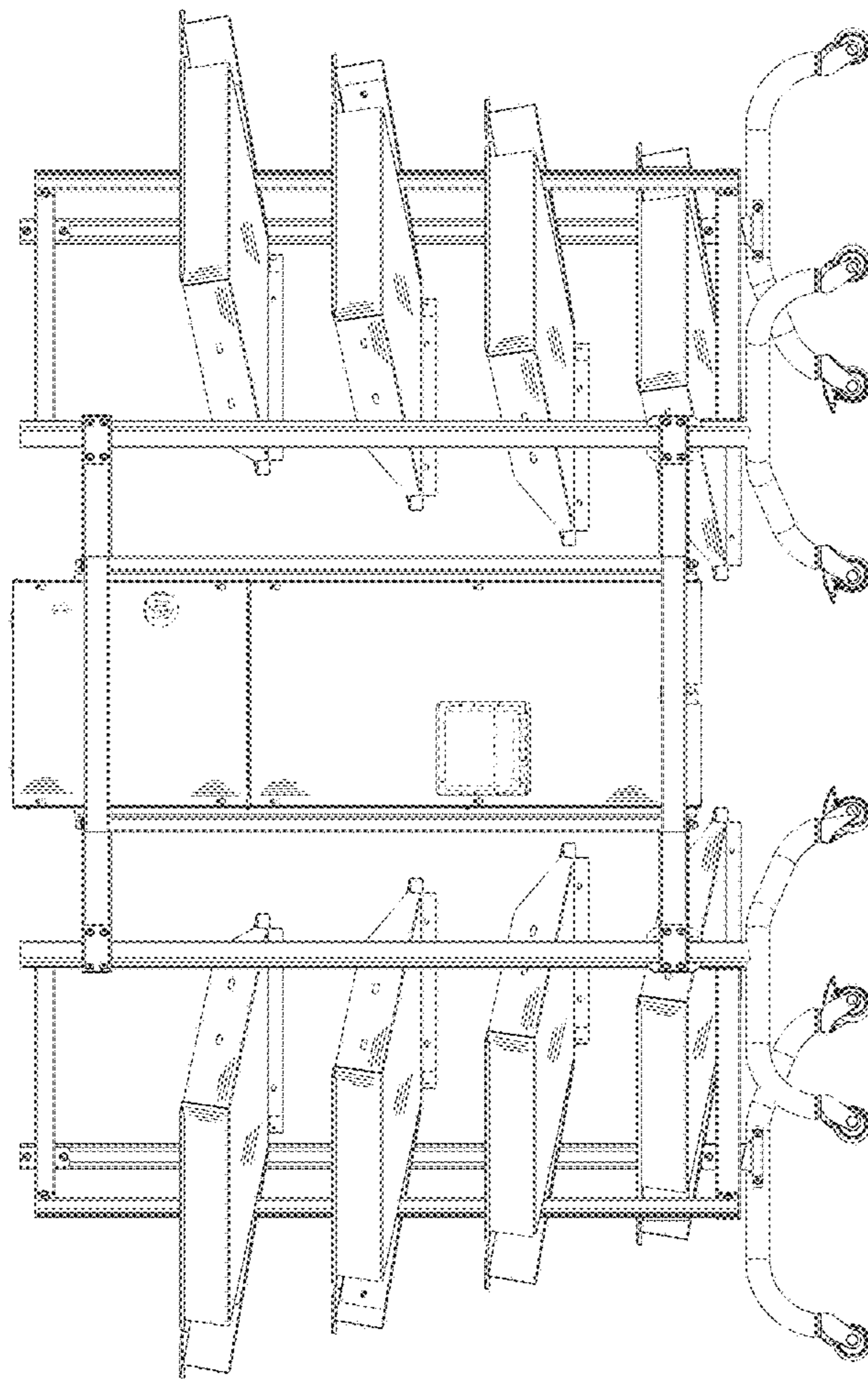


Fig. 4

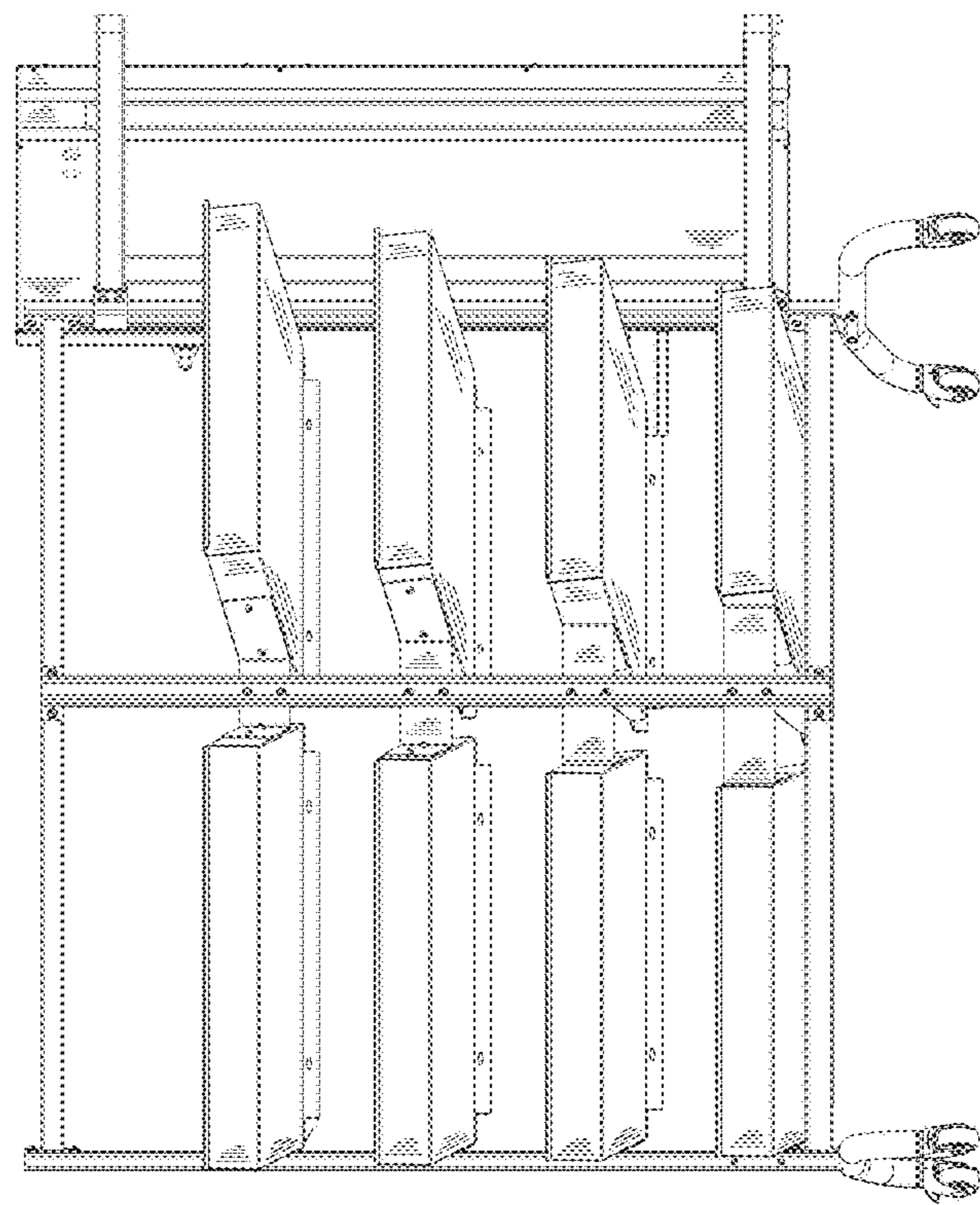


Fig. 5

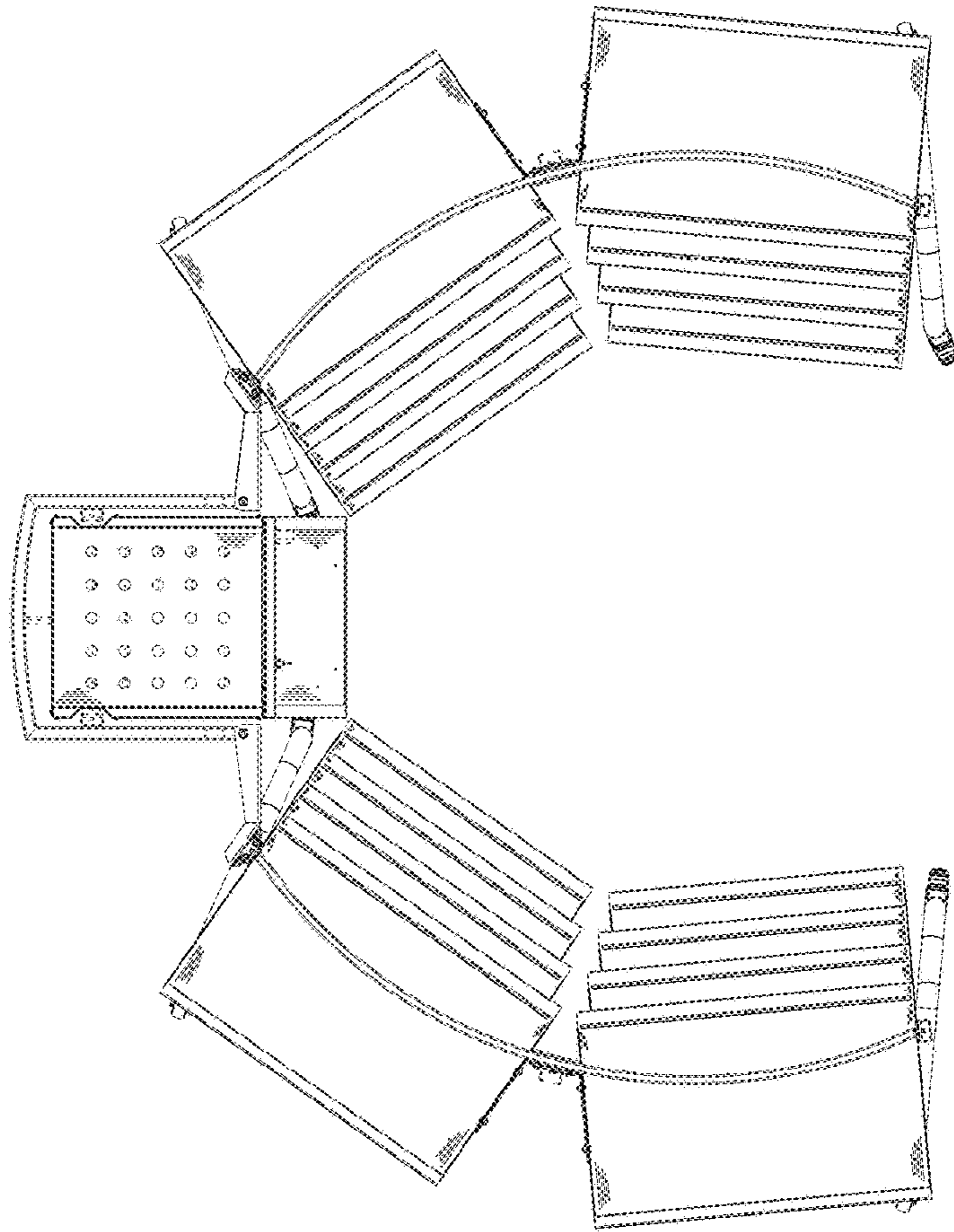


Fig. 6

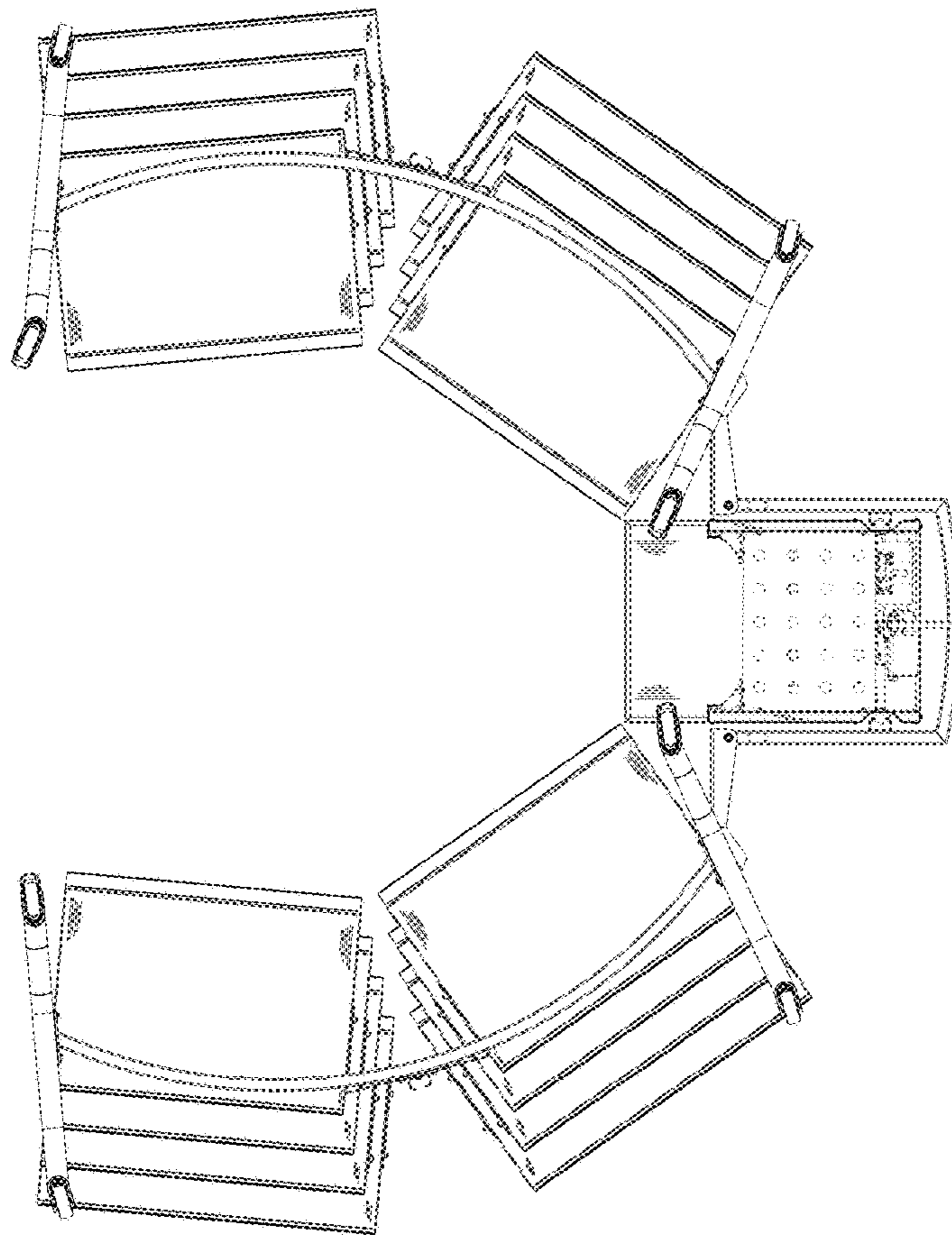


Fig. 7