



US00D855360S

(12) **United States Design Patent** (10) **Patent No.:** **US D855,360 S**
Whitaker et al. (45) **Date of Patent:** **** Aug. 6, 2019**

(54) **DISPLAY RACK FOR BINS**
(71) Applicant: **APEX INDUSTRIAL TECHNOLOGIES LLC**, Mason, OH (US)
(72) Inventors: **Craig S. Whitaker**, Fairfield, OH (US); **Jaclyn Lowery**, Columbus, OH (US)
(73) Assignee: **APEX INDUSTRIAL TECHNOLOGIES LLC**, Mason, OH (US)

D238,535 S 1/1976 Daniels
D297,082 S 8/1988 Binder
D304,981 S * 12/1989 Raskas D6/683.1
D428,738 S 8/2000 Brozak, Jr.
D497,738 S * 11/2004 Sparkowski D6/675.2
D543,057 S 5/2007 Grady
D553,555 S * 10/2007 Panasewicz D12/425
D561,492 S * 2/2008 Mehmen D6/678.1
D599,581 S 9/2009 Martinez
7,641,253 B2 * 1/2010 Steiger B60P 3/14
296/24.4
D711,671 S 8/2014 Albinana Arriaga
D745,298 S 12/2015 Workman

(**) Term: **15 Years**

(21) Appl. No.: **29/621,951**

(22) Filed: **Oct. 12, 2017**

Related U.S. Application Data

(62) Division of application No. 29/523,603, filed on Apr. 10, 2015, now Pat. No. Des. 802,971.

(51) **LOC (12) Cl.** **06-06**

(52) **U.S. Cl.**
USPC **D6/675**

(58) **Field of Classification Search**
USPC D6/675, 675.1, 682, 683, 683.1, 705, D6/705.1, 513-514
CPC A47B 55/005; A47B 57/00; A47B 57/30; A47B 63/00
See application file for complete search history.

(56) **References Cited**

U.S. PATENT DOCUMENTS

2,898,171 A * 8/1959 Ehlert A47F 3/063
312/117
3,527,359 A * 9/1970 Ambertson A47B 31/00
211/187
3,712,697 A * 1/1973 Kelley E06B 9/115
312/297

* cited by examiner

Primary Examiner — Kelley A Donnelly

(74) *Attorney, Agent, or Firm* — Thompson Hine LLP

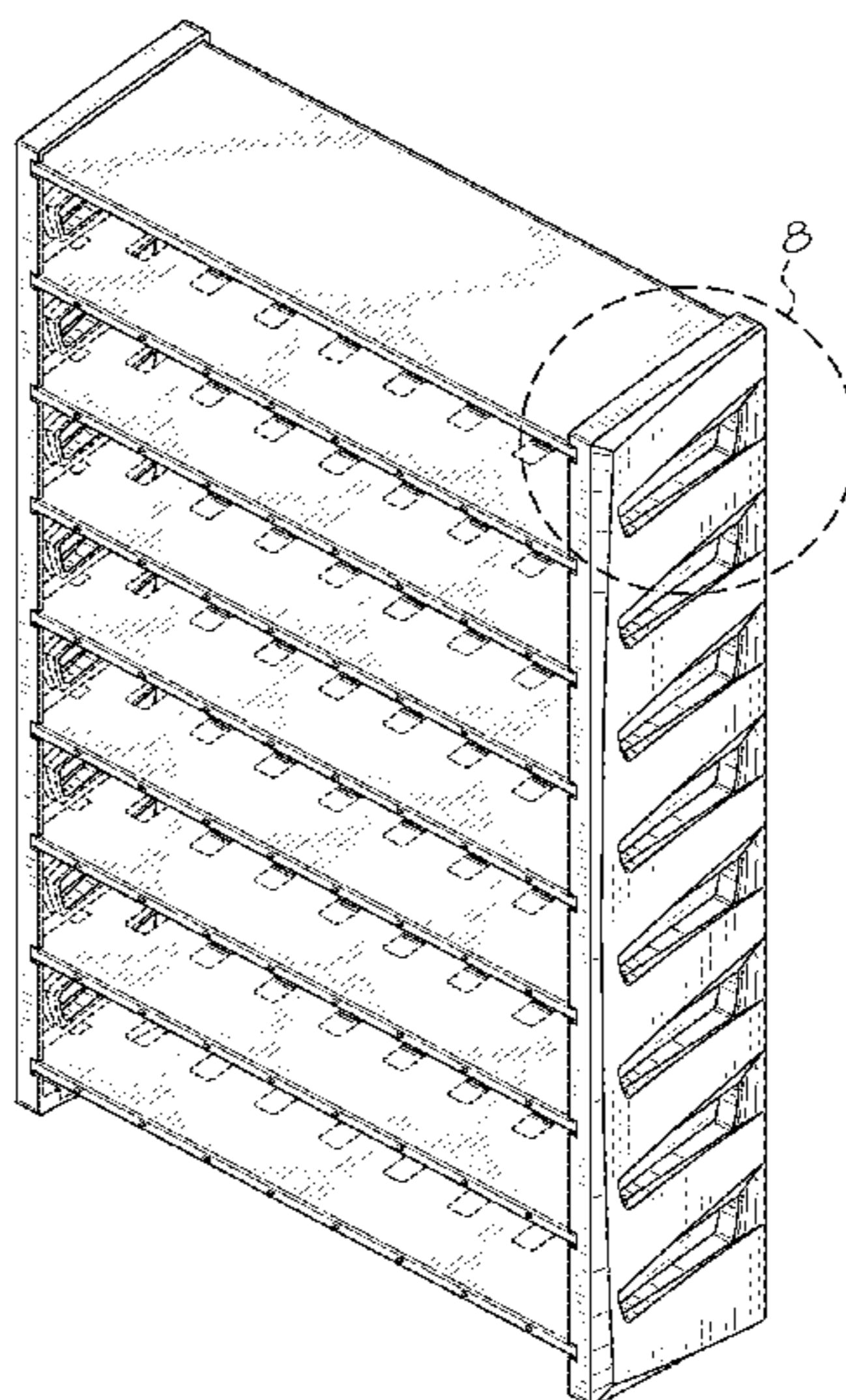
(57) **CLAIM**

The ornamental design for a display rack for bins, as shown and described.

DESCRIPTION

FIG. 1 is a perspective view of the display rack for bins; FIG. 2 is a front view of the first embodiment; FIG. 3 is a rear view of the first embodiment; FIG. 4 is a right-hand side view of the first embodiment; FIG. 5 is a left-hand side view of the first embodiment; FIG. 6 is a top view of the first embodiment; FIG. 7 is a bottom view of the display rack for bins; FIG. 8 is a detailed view of the top right of the structure shown in FIG. 1; and, FIG. 9 is a detailed view of the display rack for bins of FIG. 1 from a bottom, rear, left side angle. For each such figure, structural reinforcements and apertures for electromechanical apparatus, where visible, are shown in broken lines for illustrative purposes only; and the broken lines form no part of the claimed design.

1 Claim, 7 Drawing Sheets



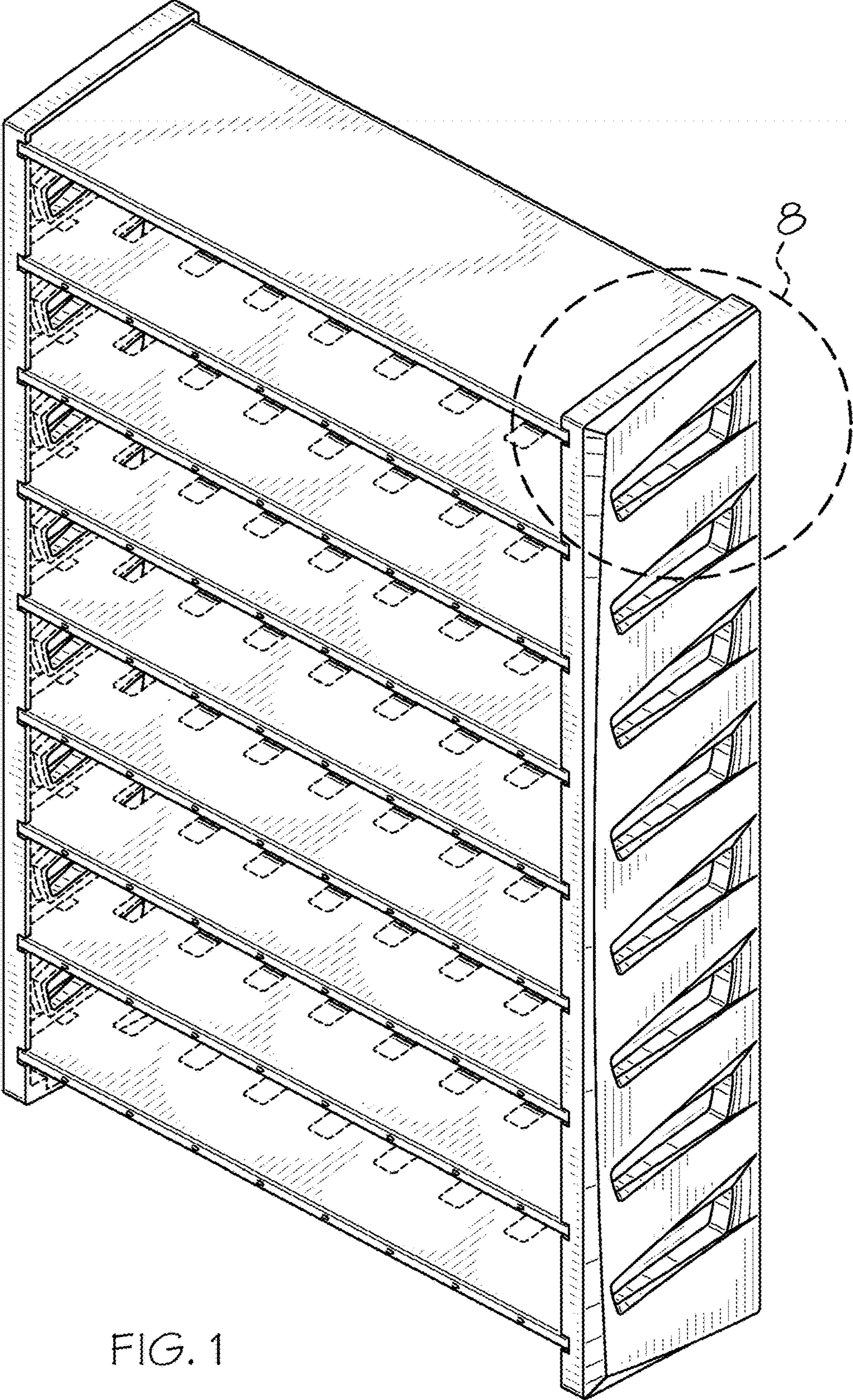


FIG. 1

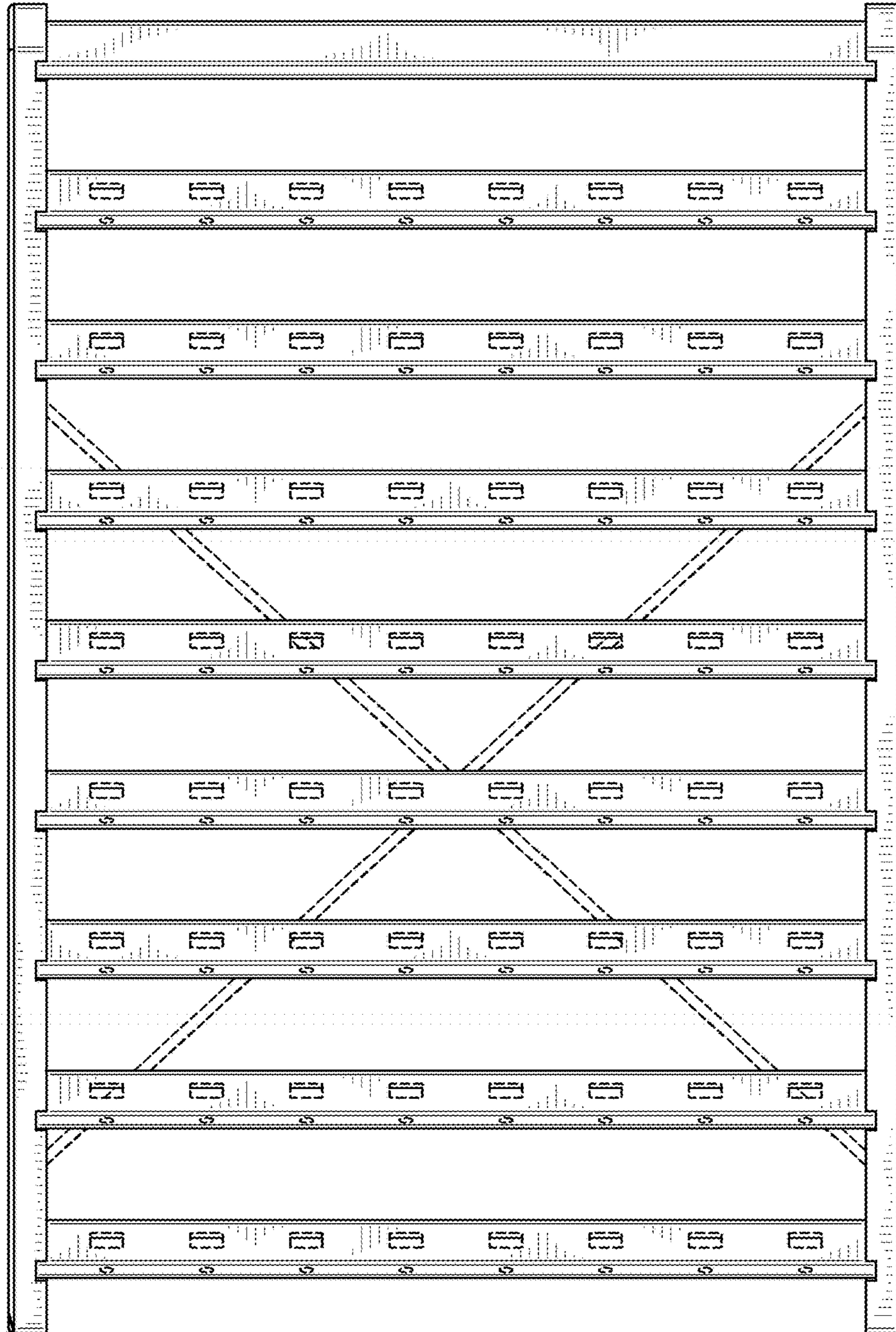


FIG. 2

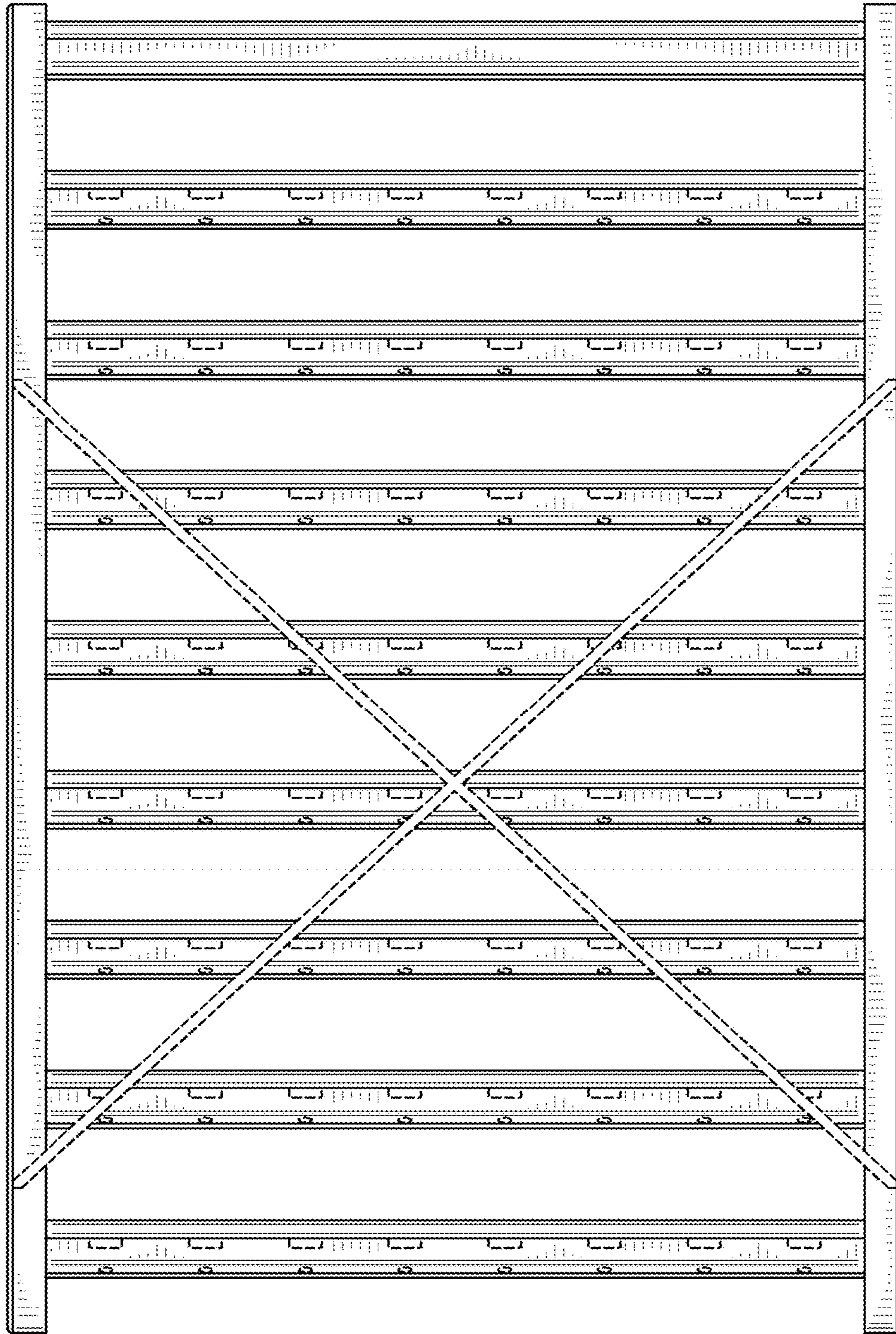


FIG. 3

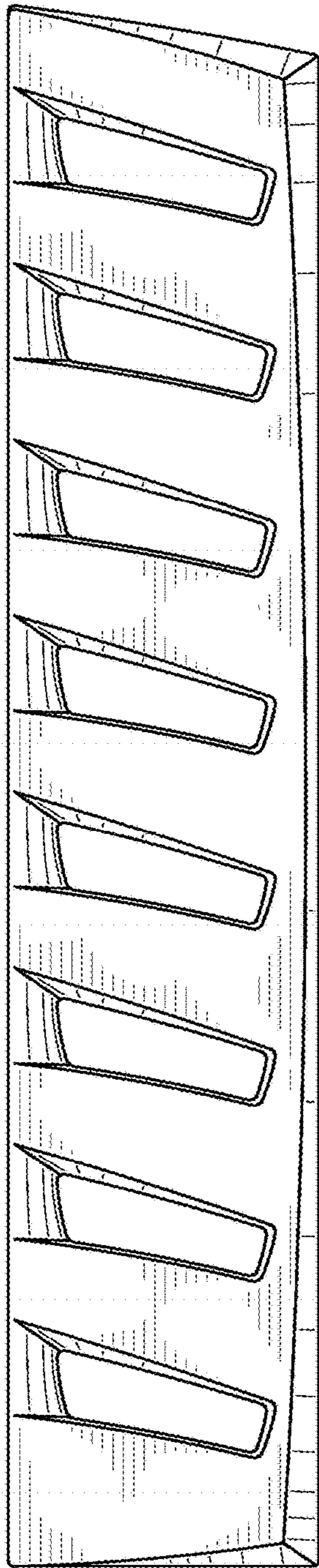


FIG. 4

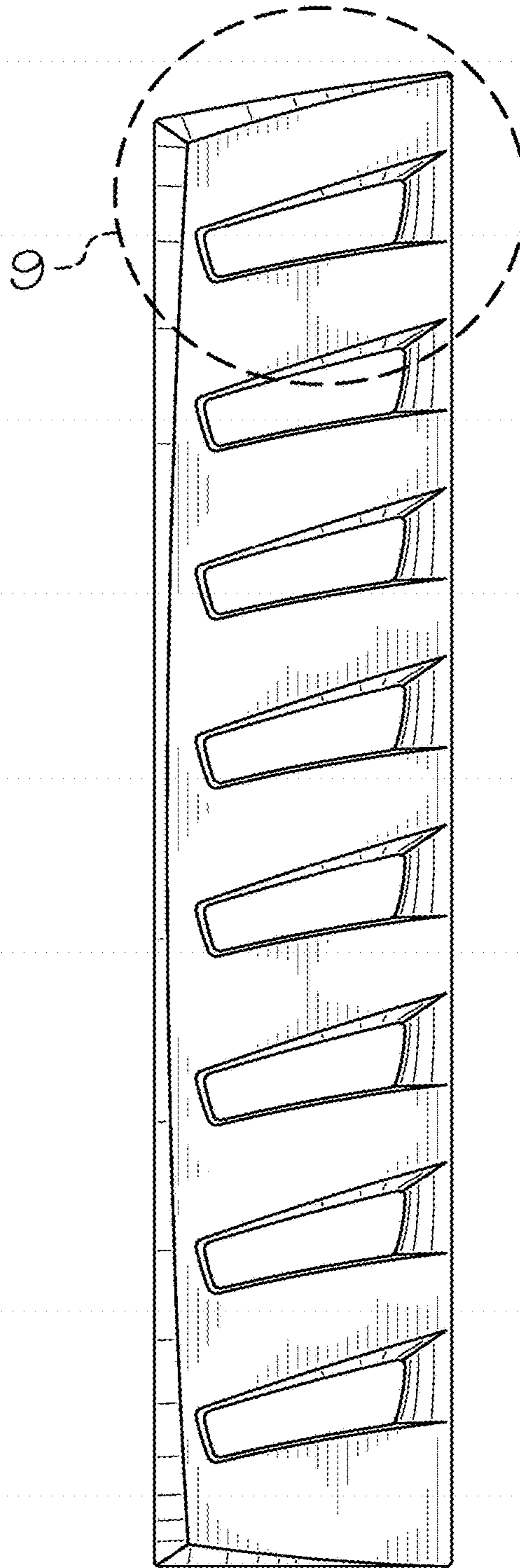


FIG. 5

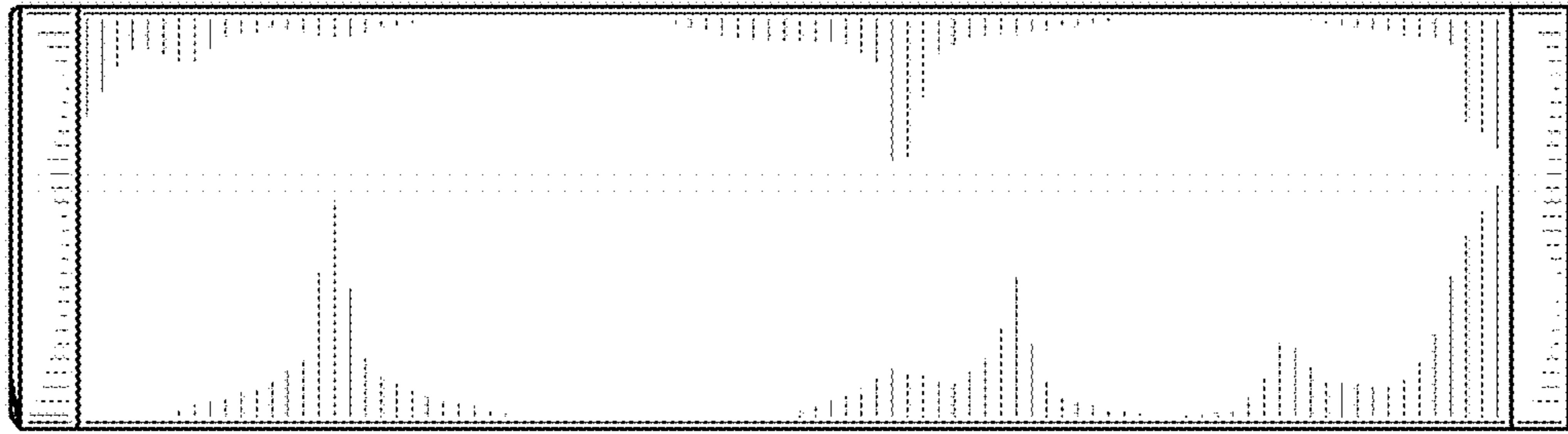


FIG. 6

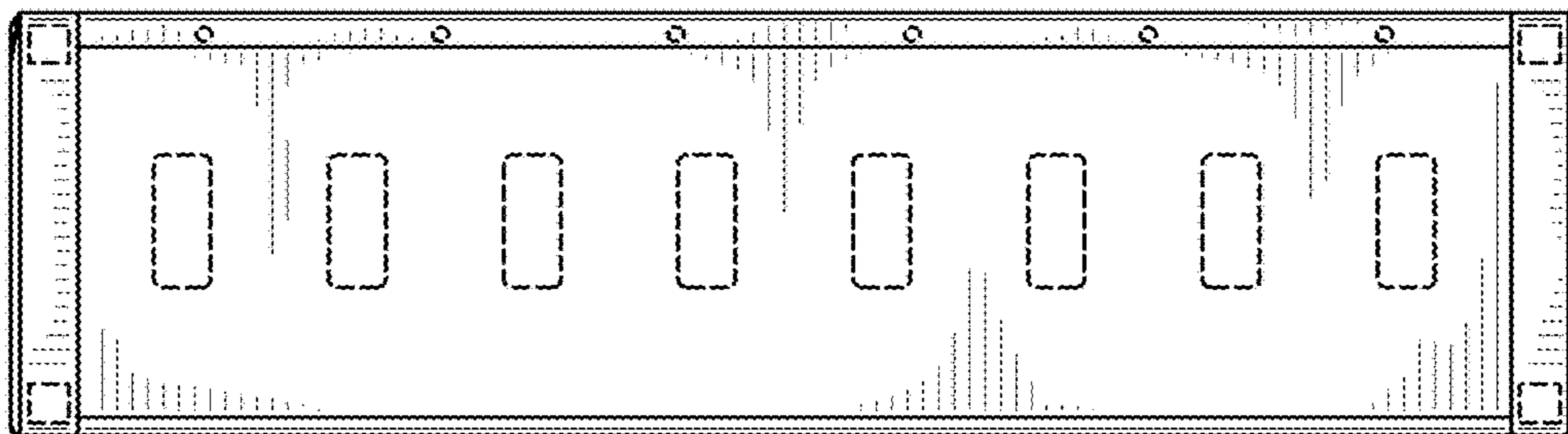


FIG. 7

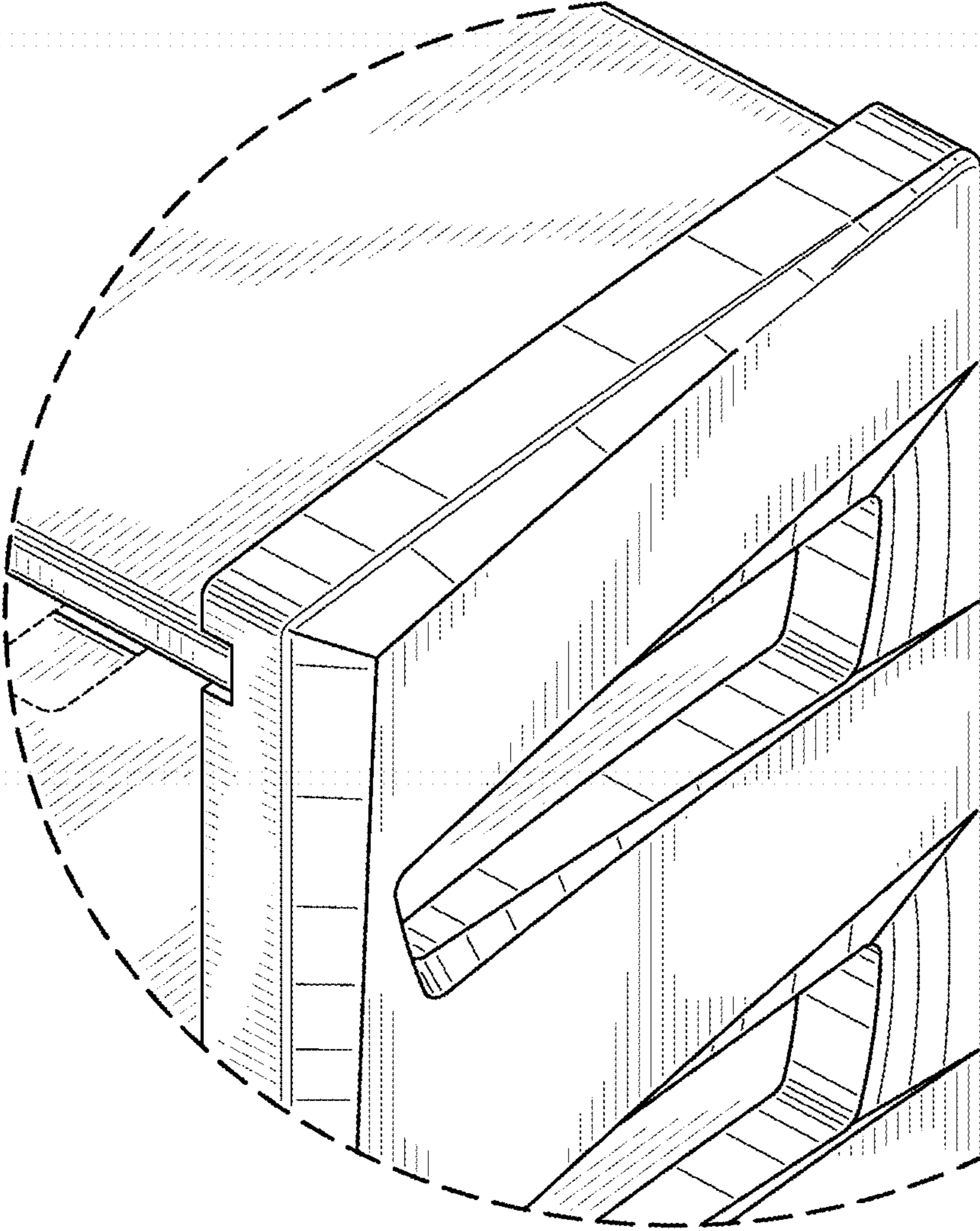


FIG. 8

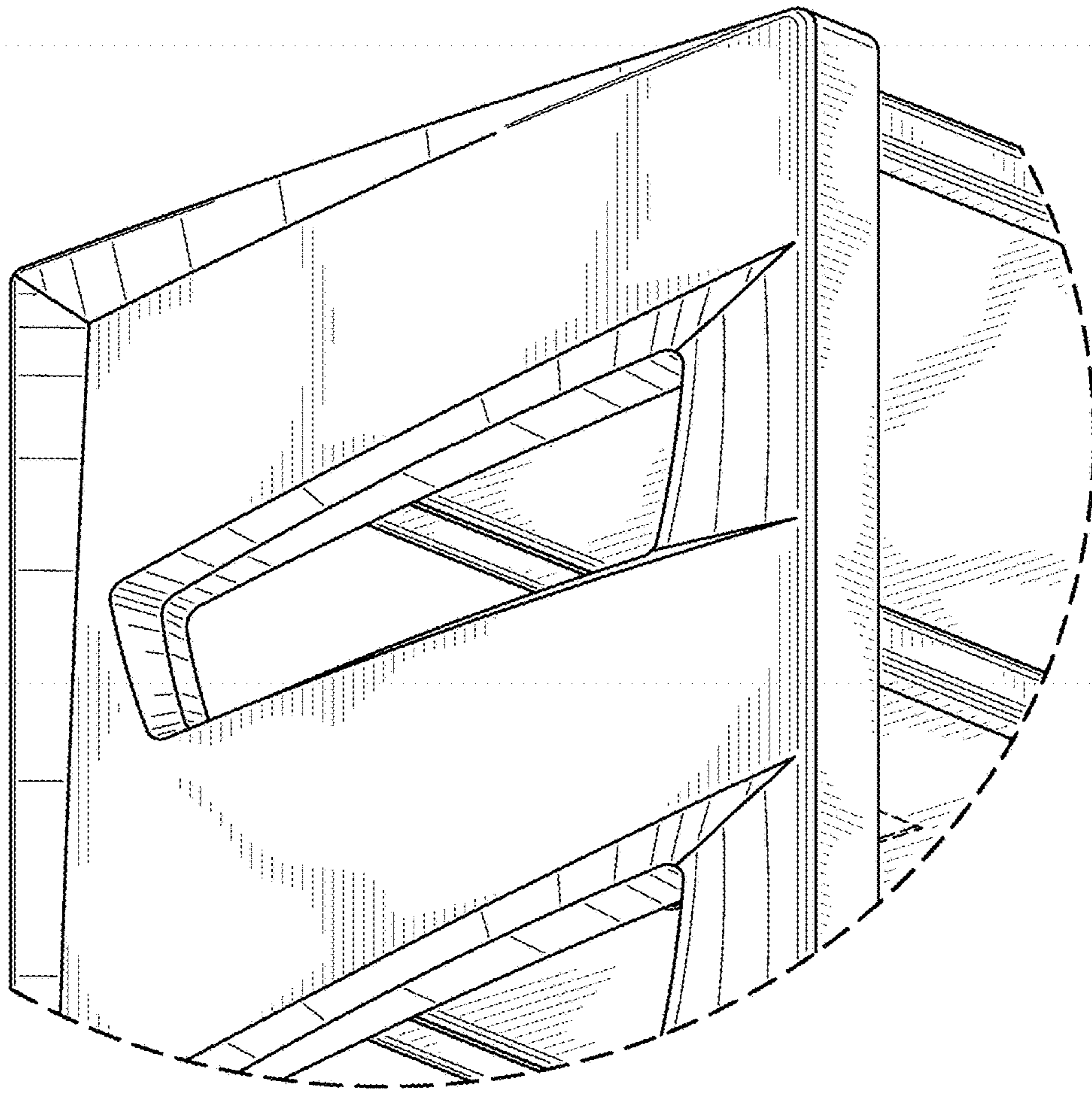


FIG. 9