



US00D855359S

(12) **United States Design Patent** (10) **Patent No.:** **US D855,359 S**
Boettner et al. (45) **Date of Patent:** **** Aug. 6, 2019**

(54) **COUNTERTOP DISPLAY ASSEMBLY**
(71) Applicant: **Illinois Tool Works Inc.**, Glenview, IL (US)
(72) Inventors: **Sary Boettner**, Lithia, FL (US); **David Bonick**, St. Charles, IL (US)
(73) Assignee: **Illinois Tool Works Inc.**, Glenview, IL (US)

D462,263 S * 9/2002 Tachikawa D9/415
D485,707 S * 1/2004 Alarcon D6/310
D494,465 S * 8/2004 Kyne D9/415
D572,043 S * 7/2008 Suzuki D6/682
D579,235 S * 10/2008 Dempsey D6/678.3
D579,236 S * 10/2008 Dempsey D6/672
D589,723 S * 4/2009 Zealer D6/683
D614,490 S * 4/2010 Ouimette D20/22
8,056,721 B2 * 11/2011 Hession B65D 5/52
206/45.24
D669,347 S * 10/2012 Anderson D9/415
D731,211 S * 6/2015 Denby D6/672
D777,477 S * 1/2017 Germany D6/672

(**) Term: **15 Years**

(21) Appl. No.: **29/635,175**
(22) Filed: **Jan. 29, 2018**
(51) **LOC (12) Cl.** **06-04**
(52) **U.S. Cl.**
USPC **D6/672**
(58) **Field of Classification Search**
USPC D6/672, 673, 675, 678; D9/414, 415, D9/418
CPC A47F 3/00; A47F 5/00; A47F 5/11; A47F 7/00; B65D 5/52; G09F 5/00; G09F 5/02
See application file for complete search history.

(56) **References Cited**

U.S. PATENT DOCUMENTS

D55,098 S * 5/1920 Stetson et al. D6/672
D106,833 S * 11/1937 Lehman et al. D6/310
D191,558 S * 10/1961 Sands et al. 248/459
D201,163 S * 5/1965 Kossoff et al. D6/672
D201,533 S * 6/1965 Huey et al. 40/587
D250,092 S * 10/1978 Schoenfield D9/414
D292,776 S * 11/1987 Cugley D9/415
D351,516 S * 10/1994 Yeh D6/672
D402,827 S * 12/1998 Ennis D6/682
D412,109 S * 7/1999 Hsi-Chang D9/415
D426,723 S * 6/2000 Waugh D2/892
D430,016 S * 8/2000 Pirro D9/415
D458,125 S * 6/2002 Tachikawa D9/415

OTHER PUBLICATIONS

Examination Report for copending Canadian Application No. 179568 dated Dec. 12, 2018, 2 pages.

* cited by examiner

Primary Examiner — John Windmuller
Assistant Examiner — Steven J Czyz
(74) *Attorney, Agent, or Firm* — Christopher R. Carroll;
The Small Patent Law Group LLC

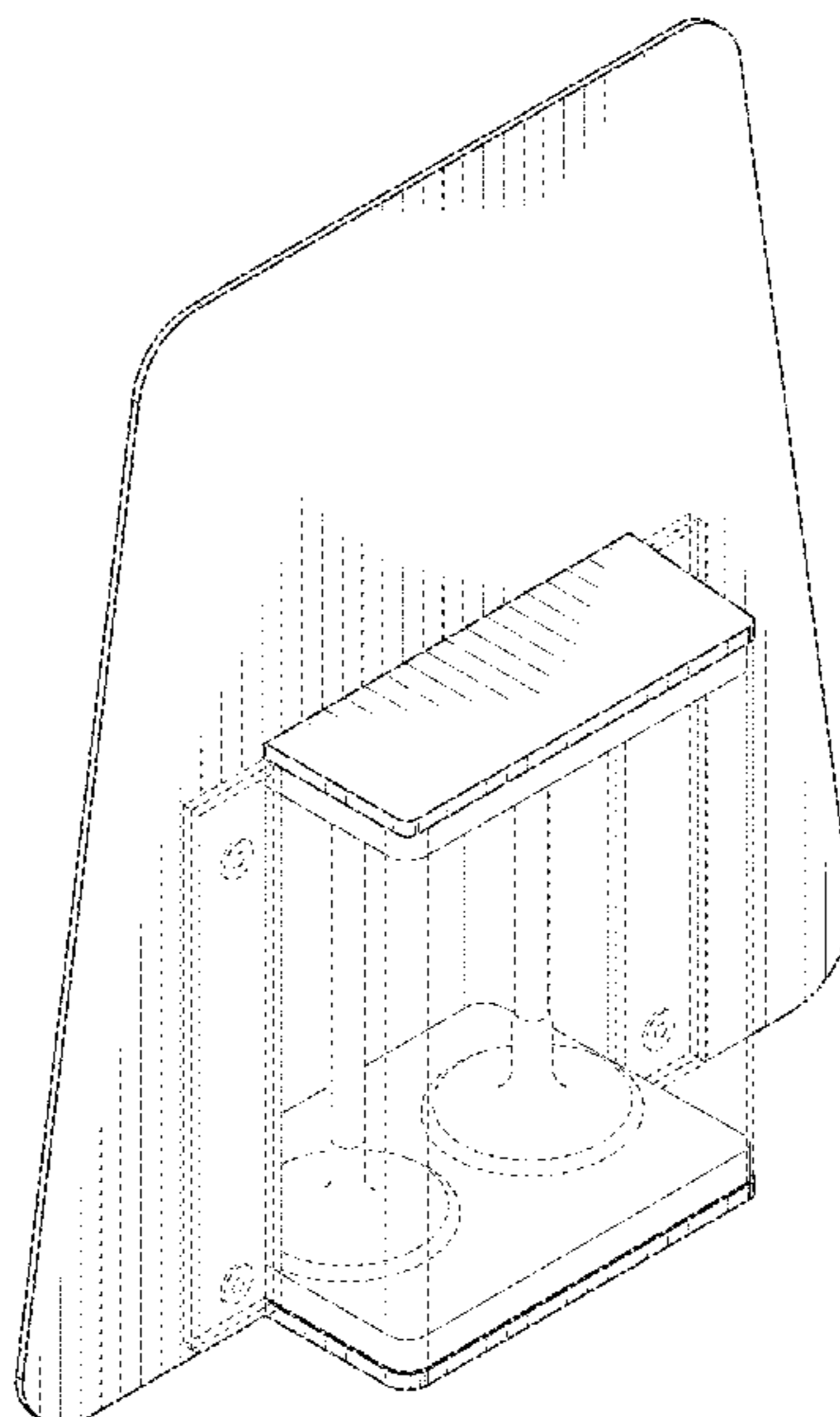
(57) **CLAIM**

The ornamental design for a countertop display assembly, as shown and described.

DESCRIPTION

FIG. 1 is a perspective view of a countertop display assembly;
FIG. 2 is a front view thereof;
FIG. 3 is a rear view thereof;
FIG. 4 is a right side view thereof;
FIG. 5 is a left side view thereof; and,
FIG. 6 is a top view thereof.
The broken lines depict environment and portions of the article that form no part of the claimed design.

1 Claim, 5 Drawing Sheets



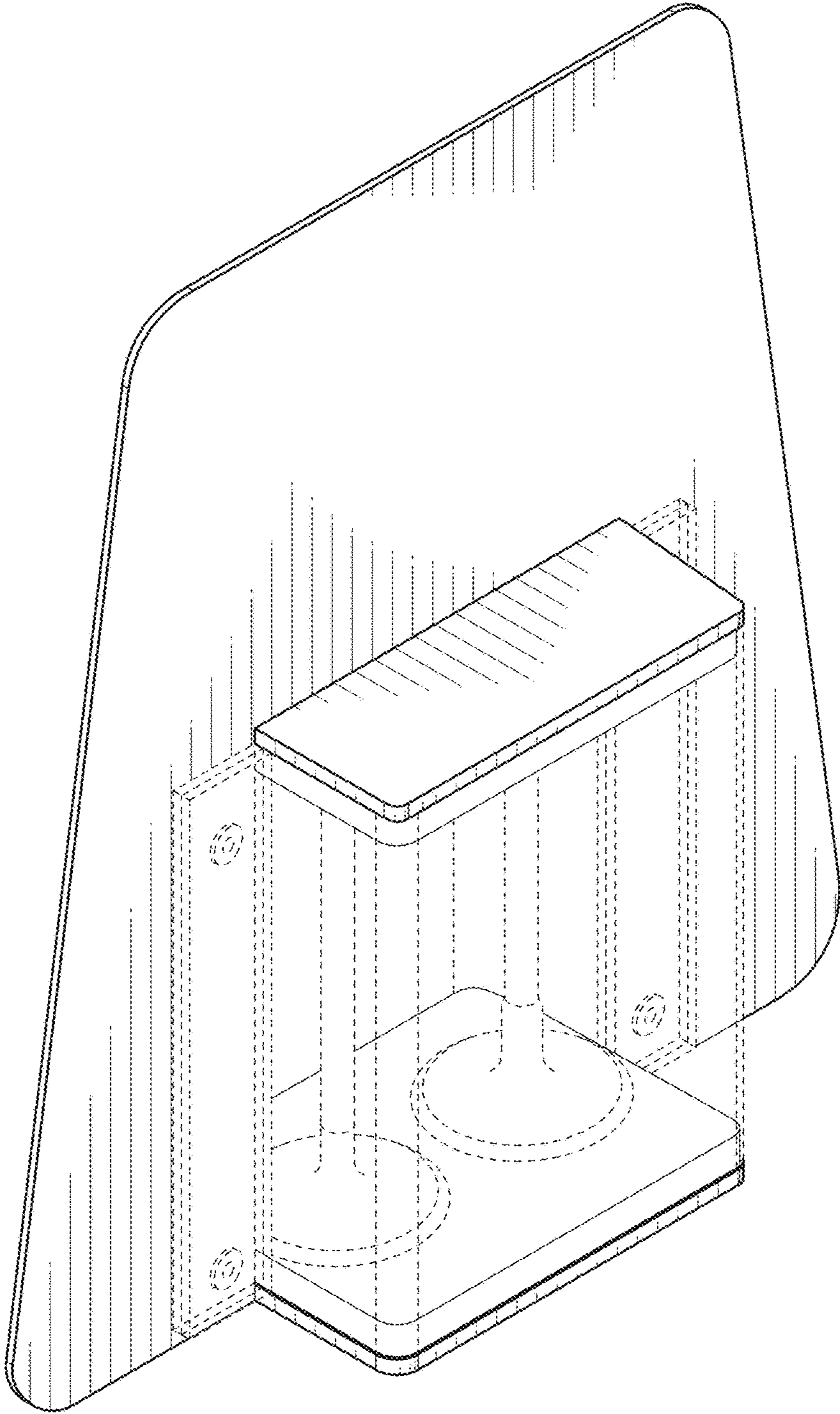


FIG. 1

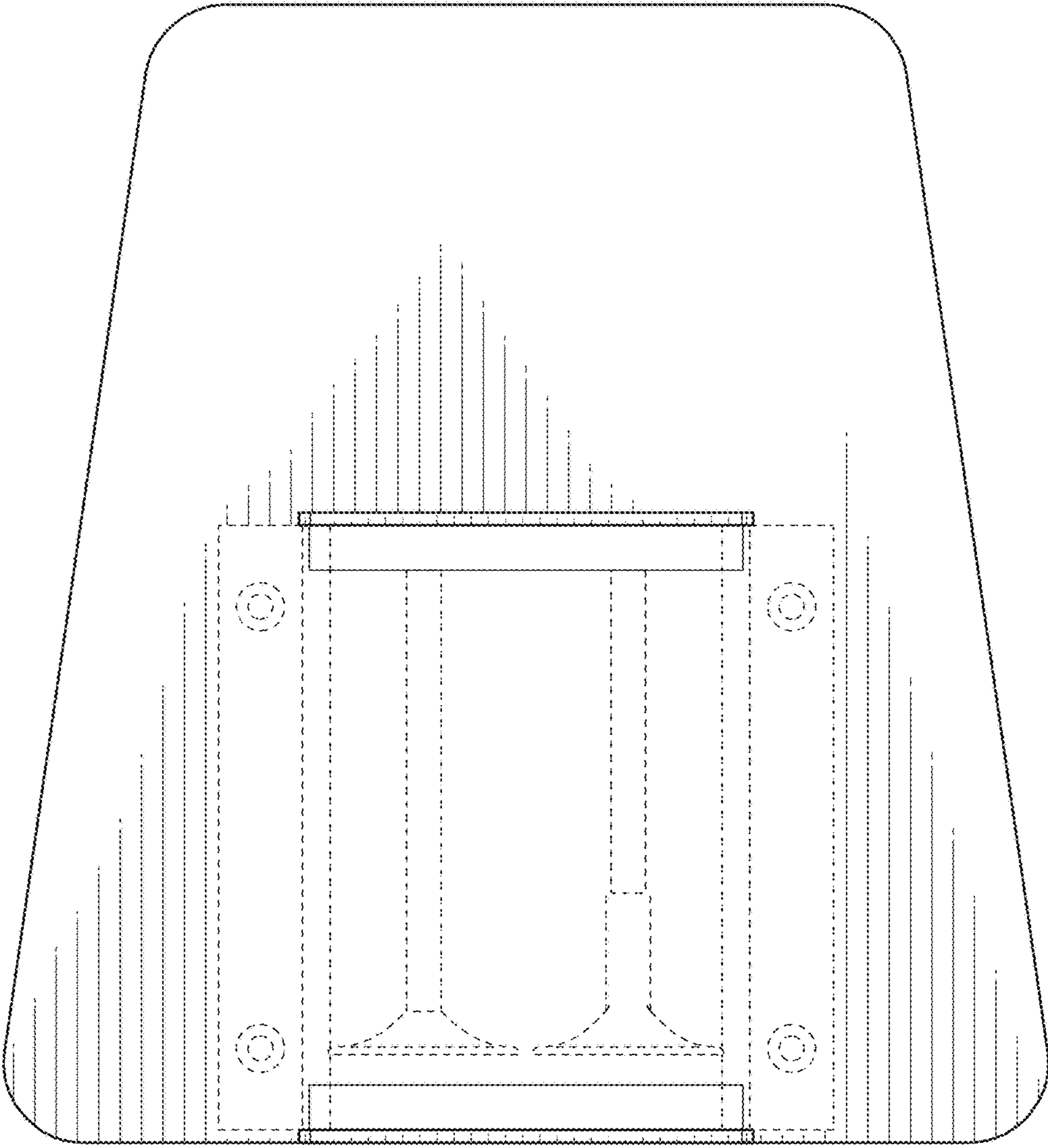


FIG. 2

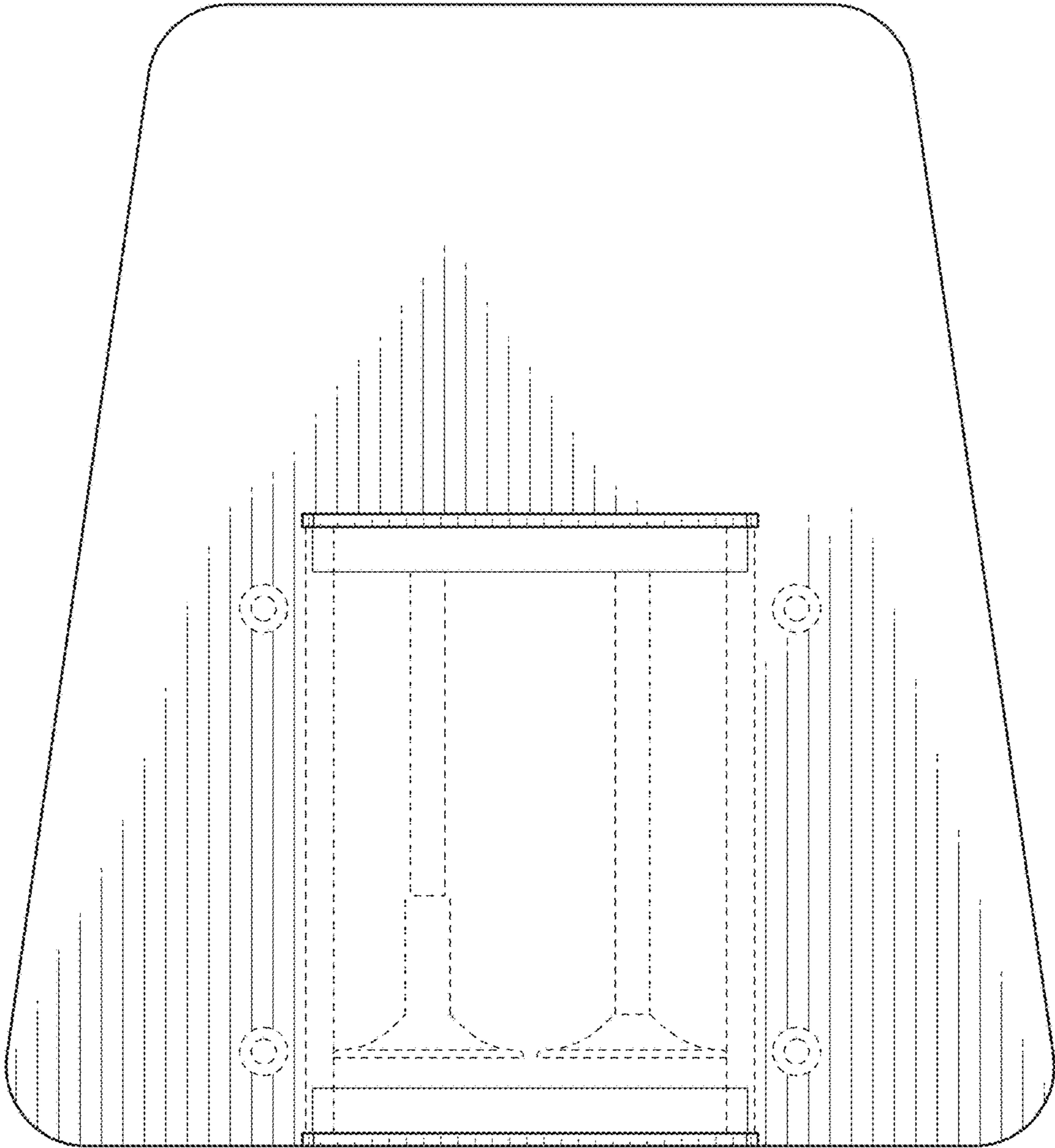


FIG. 3

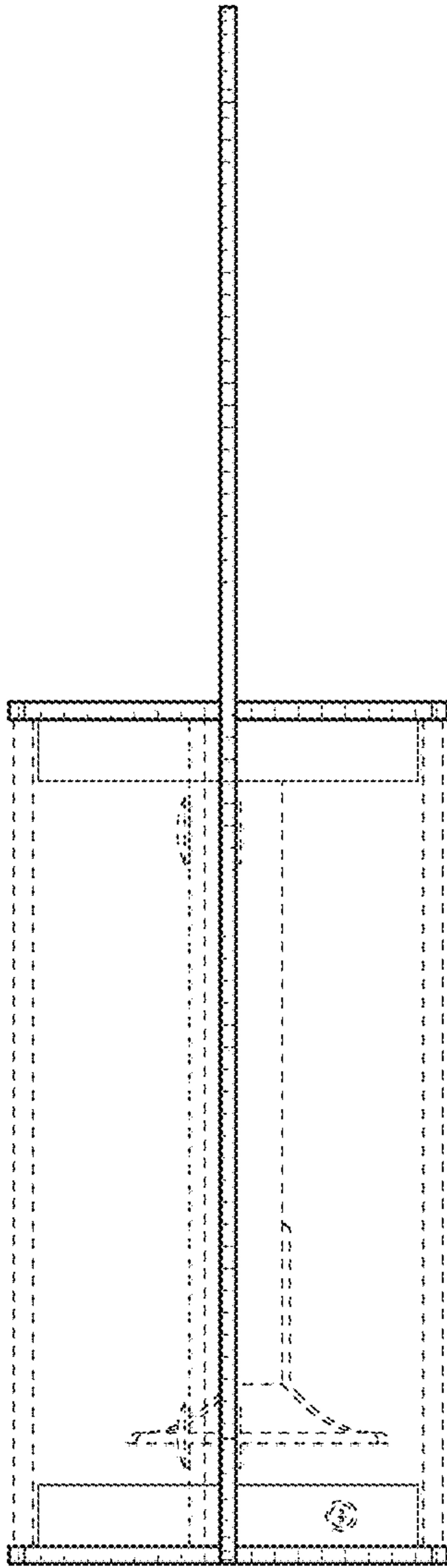


FIG. 4

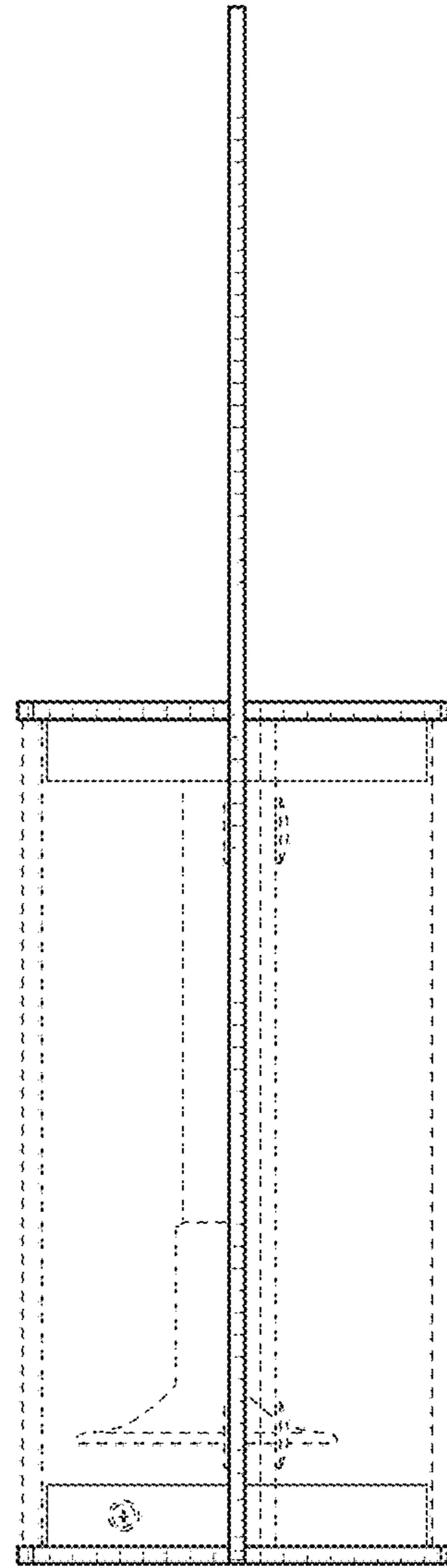


FIG. 5

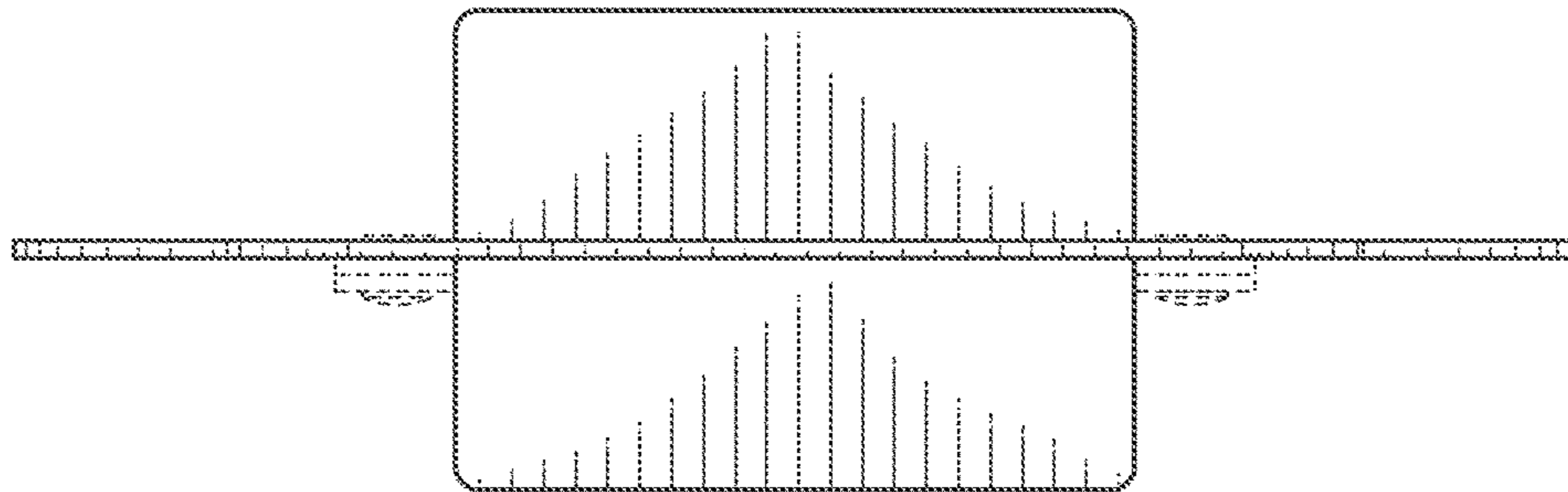


FIG. 6