



US00D855358S

(12) **United States Design Patent** (10) **Patent No.:** **US D855,358 S**  
**Adler et al.** (45) **Date of Patent:** **\*\* Aug. 6, 2019**

(54) **DISPLAY TABLE**

(71) Applicant: **Target Brands, Inc.**, Minneapolis, MN (US)

(72) Inventors: **Patricia S. Adler**, Oakland, CA (US); **Todd J. Waterbury**, New York, NY (US); **Yu Jin Han**, Burlingame, CA (US); **Derek W. Paton**, Stillwater, MN (US); **Maria A. Hernandez**, San Francisco, CA (US); **Nima Vakili**, Brooklyn, NY (US); **Brett S. Bowman**, San Francisco, CA (US)

(73) Assignee: **Target Brands, Inc.**, Minneapolis, MN (US)

(\*\*) Term: **15 Years**

(21) Appl. No.: **29/621,939**

(22) Filed: **Oct. 12, 2017**

(51) **LOC (12) Cl.** ..... **06-03**

(52) **U.S. Cl.**

USPC ..... **D6/644; D6/672; D6/675**

(58) **Field of Classification Search**

USPC ..... D6/640, 641, 642, 643, 643.1, 644, 648, D6/648.1, 648.3, 648.4, 649, 650, 651, D6/652, 655, 655.1, 655.11, 656, 668, D6/672, 675, 685, 688.11, 688.21, D6/688.27, 690, 695, 698, 696.1, 700, D6/709.22

CPC .... A47B 9/00; A47B 9/04; A47B 9/06; A47B 3/08; A47B 21/00; A47B 21/02; A47B 21/06; A47B 21/007; A47B 21/0314; A47B 2009/185; A47B 2200/0013; A47B 2200/0026; A47B 2200/0085; A47B 2200/0087

See application file for complete search history.

(56) **References Cited**

U.S. PATENT DOCUMENTS

D233,293	S *	10/1974	Rosen	.....	D6/691.3
D234,559	S *	3/1975	Waltzman	.....	D6/651
5,758,934	A	6/1998	Flutka et al.		
D466,337	S *	12/2002	Feng	.....	D6/689
6,629,505	B1	10/2003	Cronk et al.		
7,202,786	B2	4/2007	Marszalek et al.		
D558,489	S *	1/2008	Christensen	.....	D6/691.5
D558,490	S *	1/2008	Christensen	.....	D6/691.5
D584,542	S *	1/2009	Martin	.....	D6/656
7,578,243	B2	8/2009	Gevaert		
D599,137	S *	9/2009	Martin	.....	D6/702
7,654,399	B2	2/2010	Scholen et al.		

(Continued)

OTHER PUBLICATIONS

Slash Gear, "Salsa Table Seats Four, Includes Integrated iPads", <https://www.slashgear.com/salsa-table-seats-four-includes-integrated-ipads-15108283/>, at least as early as Oct. 15, 2010, 1 page.

*Primary Examiner* — Mary Ann Calabrese

*Assistant Examiner* — Catherine Ho

(74) *Attorney, Agent, or Firm* — Leanne Taveggia Farrell; Westman, Champlin & Koehler, P.A.

(57) **CLAIM**

The ornamental design for a display table, as shown and described.

**DESCRIPTION**

FIG. 1 is a front perspective view of a display table showing our new design;

FIG. 2 is a back perspective view thereof;

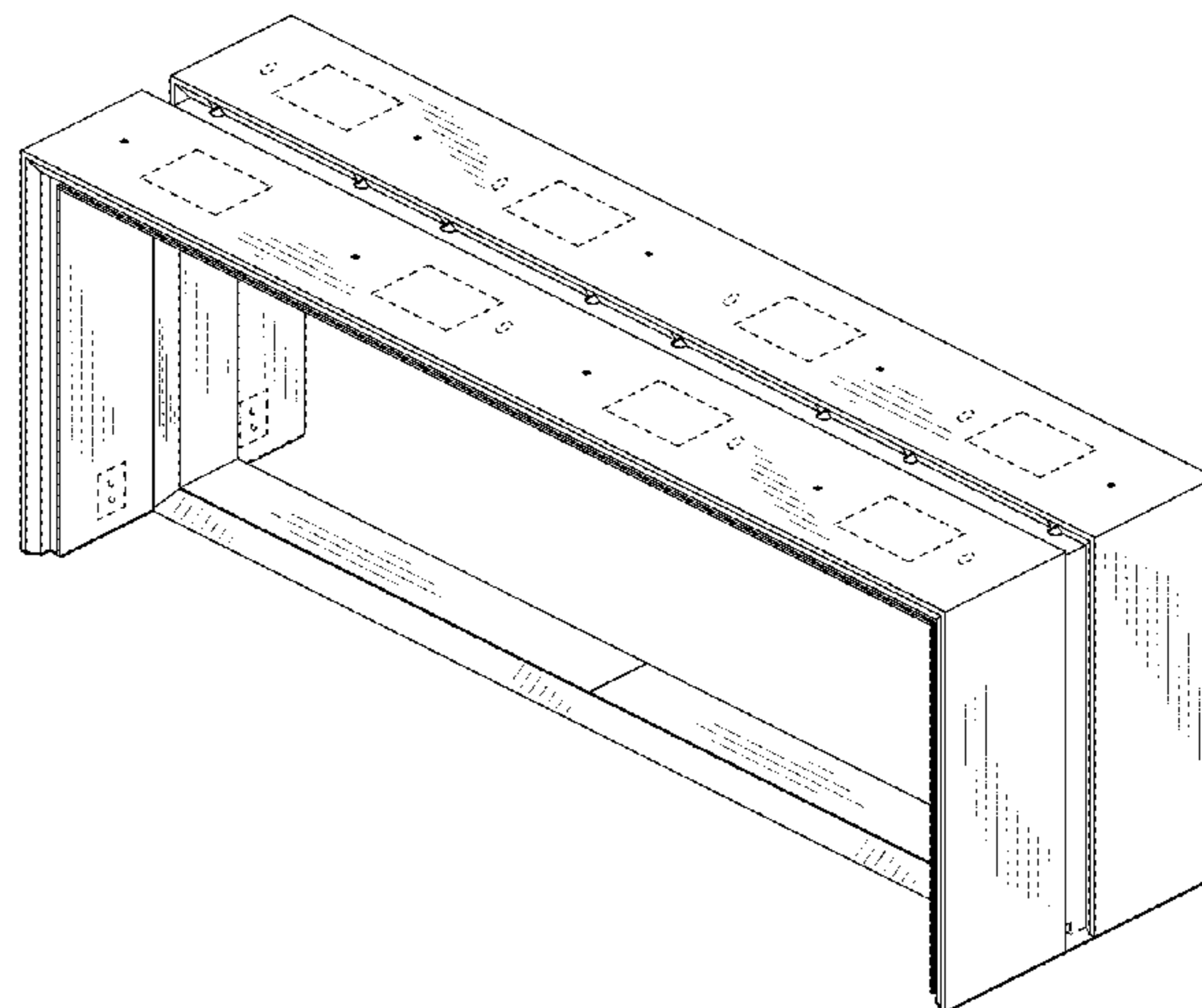
FIG. 3 is a front view thereof, the back view being identical;

FIG. 4 is a right side view thereof, the left side view being identical; and,

FIG. 5 is a top view thereof.

The broken lines shown in the drawings are included for purposes of illustrating portions of the display table and form no part of the claimed design.

**1 Claim, 5 Drawing Sheets**



(56)

**References Cited**

U.S. PATENT DOCUMENTS

7,667,601	B2	2/2010	Rabinowitz et al.	
7,926,430	B2	4/2011	Bakker et al.	
8,186,522	B2	5/2012	Weshler et al.	
8,522,985	B2	9/2013	Scholen et al.	
8,523,122	B2	9/2013	Johnson et al.	
8,599,021	B2	12/2013	Belden, Jr. et al.	
8,698,617	B2	4/2014	Henson et al.	
9,095,209	B2	8/2015	Mirth et al.	
D765,450	S *	9/2016	Biddle .....	D6/691
D781,086	S *	3/2017	Velez .....	D6/656
D810,476	S *	2/2018	Heirakuji .....	D6/675
D810,482	S *	2/2018	Modlin .....	D6/691
D815,474	S *	4/2018	Modlin .....	D6/691.2
D821,788	S *	7/2018	Velez .....	D6/687

\* cited by examiner

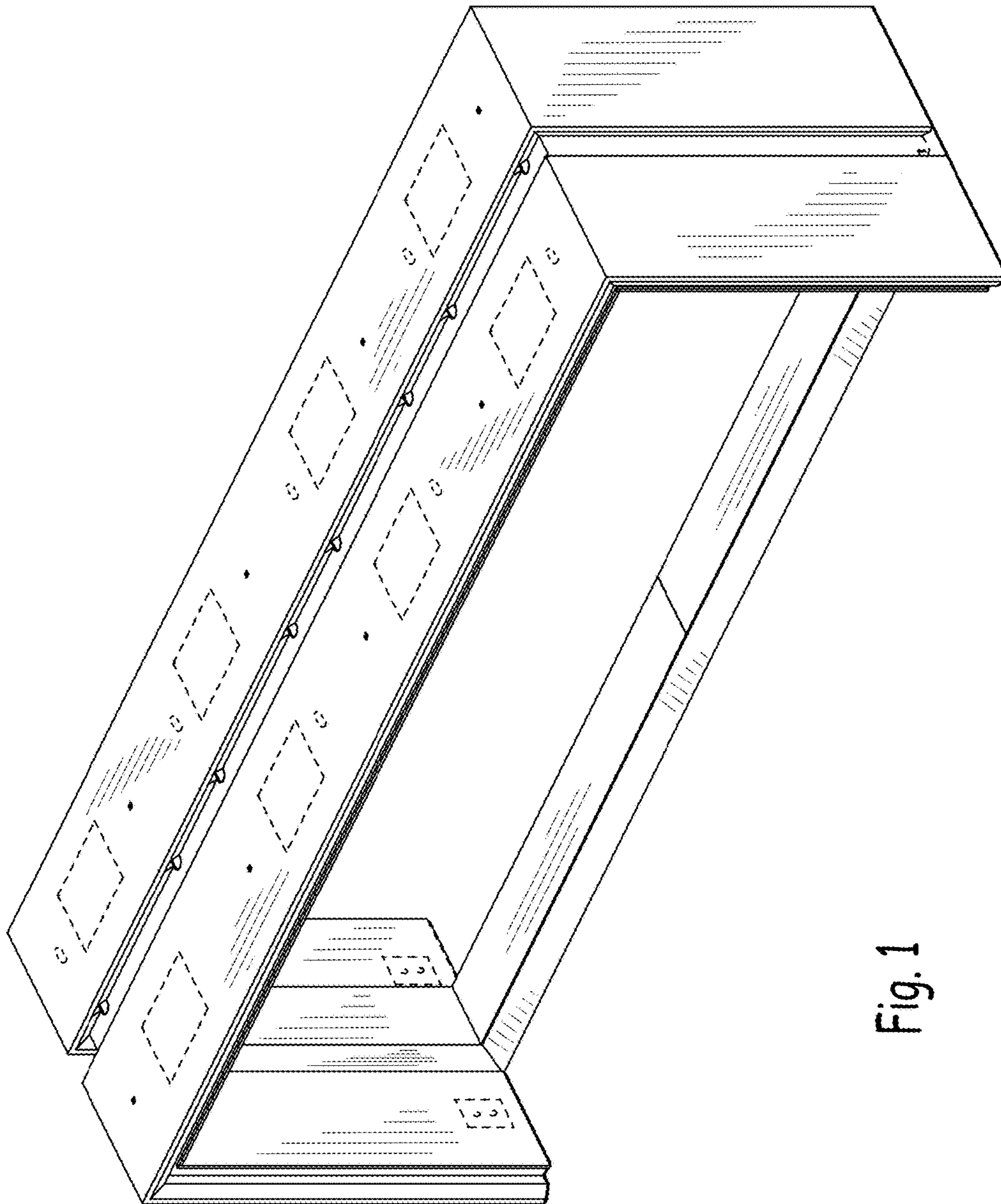


Fig. 1

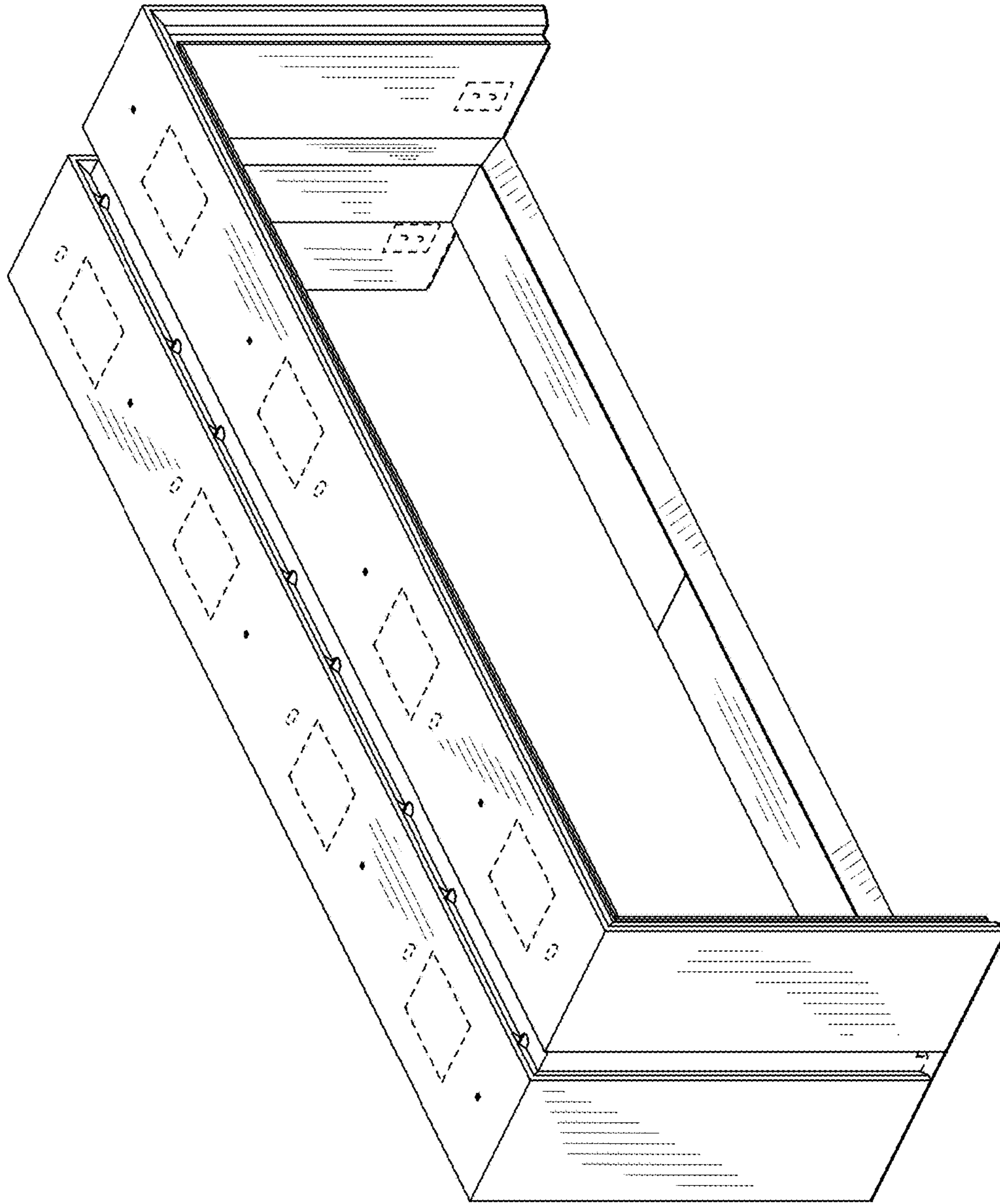


Fig. 2

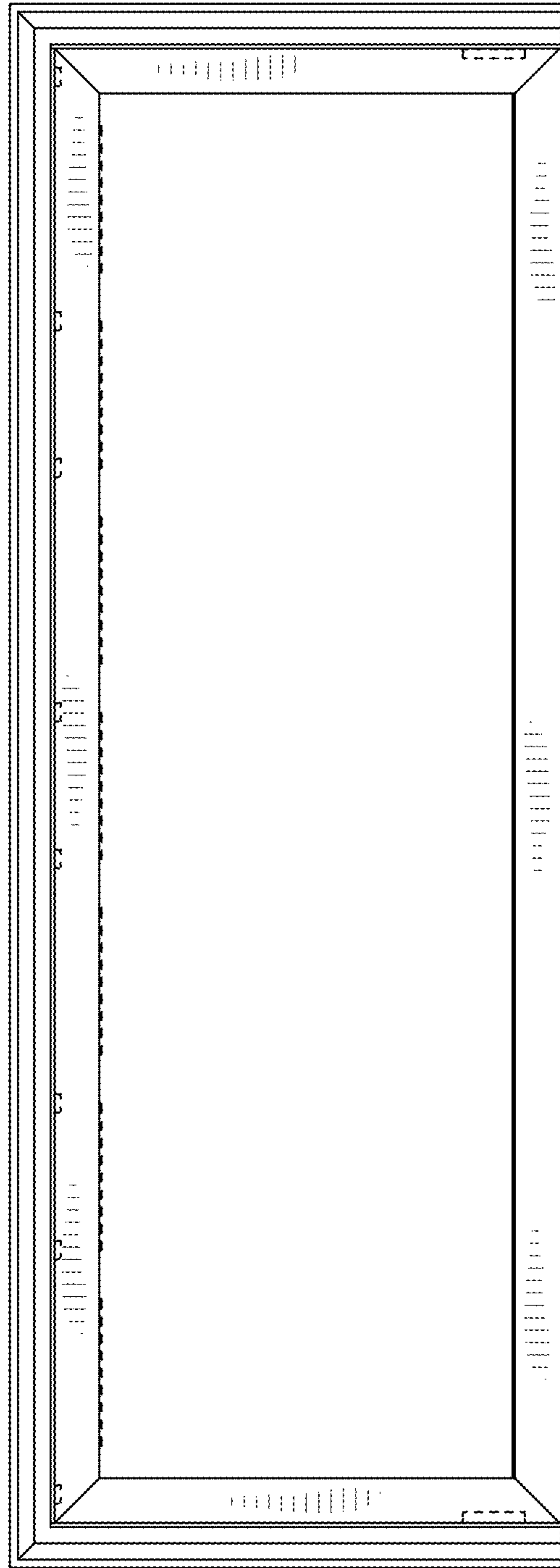


Fig. 3

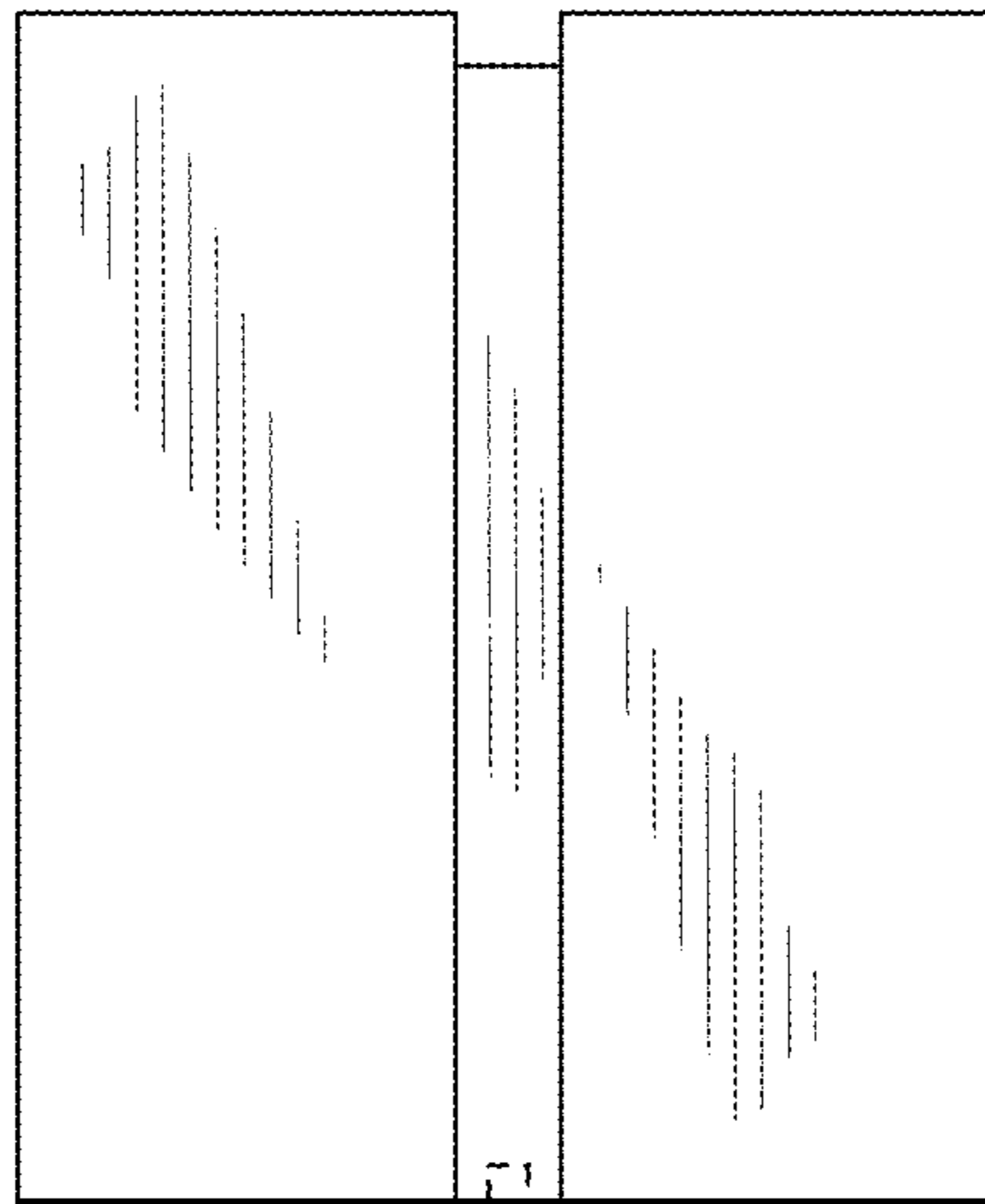


Fig. 4

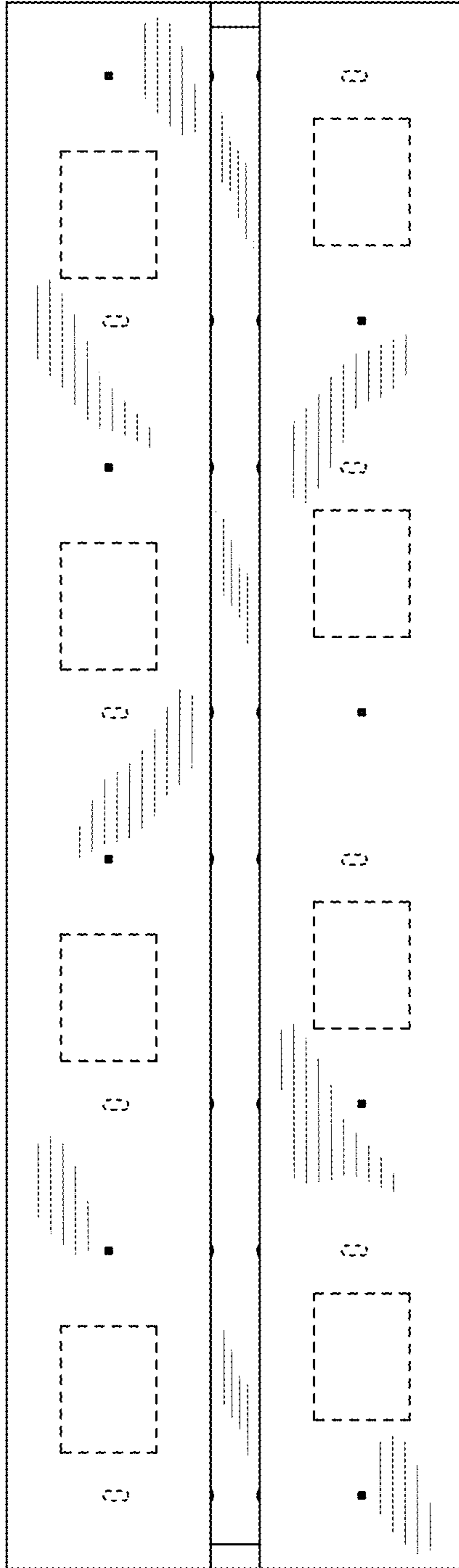


Fig. 5