



US00D855356S

(12) **United States Design Patent** (10) **Patent No.:** **US D855,356 S**  
**Leinbach** (45) **Date of Patent:** **\*\* Aug. 6, 2019**

(54) **COMBINED FOLDABLE MAT AND BLANKET**

(71) Applicant: **Amy Lisa Gross Leinbach**, Huntington Beach, CA (US)

(72) Inventor: **Amy Lisa Gross Leinbach**, Huntington Beach, CA (US)

(\*\*) Term: **15 Years**

(21) Appl. No.: **29/632,988**

(22) Filed: **Jan. 11, 2018**

(51) **LOC (12) Cl.** ..... **06-13**

(52) **U.S. Cl.**  
USPC ..... **D6/603**

(58) **Field of Classification Search**  
USPC ..... D6/333, 349, 355, 375, 388, 512, 563, D6/564, 595, 596, 601, 604, 611, 707, D6/715, 716, 716.1; 5/401, 420, 600, 5/630, 631, 632, 633, 635, 636, 638, 639, 5/646, 652, 652.1, 655, 703, 730  
CPC ..... A47G 9/02; A47G 9/0207; A47G 9/0215; A47G 9/0223; A47G 9/023; A47G 9/0238; A47G 9/0246; A47G 9/0253; A47G 9/0261;

(Continued)

(56) **References Cited**

**U.S. PATENT DOCUMENTS**

D294,909 S 3/1988 Donnor  
D336,199 S 6/1993 Bazata

(Continued)

**OTHER PUBLICATIONS**

Extra-large Outdoor Water Resistant Foldable Picnic Blanket , earliest review date:Aug. 10, 2018, [online], [site visited Mar. 15, 2019]. Available from Internet, <URL: <https://www.walmart.com/ip/Extra-large-Outdoor-Water-Resistant-Foldable-Picnic-Blanket-Mat-Camping-Beach-Rug-79-x79-Green-Stripe/310021466>> (Year: 2018).\*

*Primary Examiner* — Michelle E. Wilson

*Assistant Examiner* — Sanjeev Paul

(74) *Attorney, Agent, or Firm* — Diament Patent Law, P.C.; Adam Diament

(57) **CLAIM**

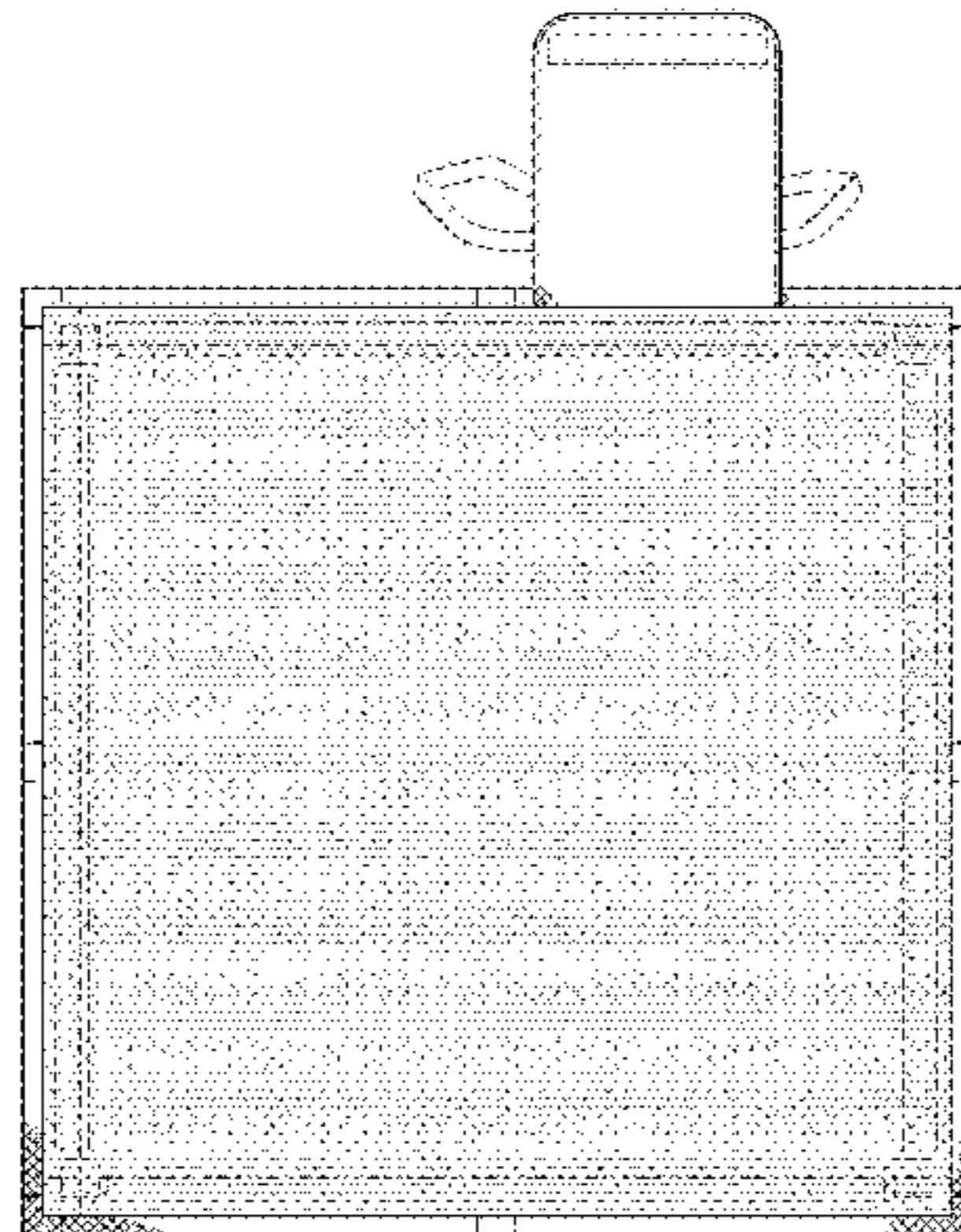
The ornamental design for a foldable combined mat and blanket, as shown and described.

**DESCRIPTION**

FIG. 1 is a top view of a combined foldable mat and blanket in an unfolded position according to the present invention; FIG. 2 is a bottom view of FIG. 1; FIG. 3 is a rear view of FIG. 1; FIG. 4 is a front view of FIG. 1; FIG. 5 is a left side view of FIG. 1; FIG. 6 is a right side view of FIG. 1; FIG. 7 is a perspective view of FIG. 1; FIG. 8 is a front view of a combined foldable mat and blanket in a folded position according to the present invention shown in FIG. 1; FIG. 9 is a rear view of FIG. 8; FIG. 10 is a top view of FIG. 8; FIG. 11 is a bottom view of FIG. 8; FIG. 12 is a right side view of FIG. 8; FIG. 13 is a left side view of FIG. 8; and, FIG. 14 is a perspective view of FIG. 8.

All types of broken lines in the drawings represent features of the combined foldable mat and blanket that form no part of the claim. The short dash-short dash-long dash (dot-dot-dash) lines on the surfaces of the combined foldable mat and blanket represent stitching and forms no part of the claimed design. The evenly dashed broken lines in the drawings that form a loop illustrate boundaries of a handle of the combined foldable mat and blanket and forms no part of the claimed design. The evenly dashed broken lines in the drawings on the surfaces of the combined foldable mat and blanket illustrate fastening areas, such as hook and loop fastening areas, and form no part of the claimed design.

**1 Claim, 9 Drawing Sheets**



(58) **Field of Classification Search**

CPC ..... A47G 9/06; A47G 9/062; A47G 9/066;  
 A47G 9/08; A47G 9/083; A47G 9/086;  
 A47G 9/04; A47G 9/0292; A47G 9/00;  
 A47G 9/10; A47G 9/1009; A47G 9/1027;  
 A47G 9/1045; A47G 9/1063; A47G  
 9/1072; A47G 9/1081; A47G 2009/0276;  
 A47G 2009/001; A47G 2009/002; A47G  
 2009/003; A47G 2009/005

See application file for complete search history.

(56) **References Cited**

U.S. PATENT DOCUMENTS

5,481,768	A	1/1996	Shink	
D407,216	S	3/1999	Vickers	
D478,455	S	8/2003	Papazian	
D518,942	S	4/2006	Dandria	
D674,225	S	1/2013	Boyer	
D732,848	S *	6/2015	Sakaguchi	D6/603
D733,463	S *	7/2015	Ruffin	D6/603
D740,055	S *	10/2015	Dodda	D6/608
D750,373	S	3/2016	Tiskiewic	
D752,361	S *	3/2016	Cumby	D6/601
D771,979	S *	11/2016	Cheeks	D6/608
D774,801	S *	12/2016	Clark	D6/596
D776,459	S *	1/2017	Ibarra	D6/603
D785,371	S *	5/2017	Volpe, II	D6/602
D821,782	S *	7/2018	Turlick	D6/603
D826,598	S *	8/2018	Thomas	D6/603
D828,703	S *	9/2018	Alley	D6/603
D834,352	S *	11/2018	Oyekan	D6/608
D836,364	S *	12/2018	Hammett	D6/608

\* cited by examiner

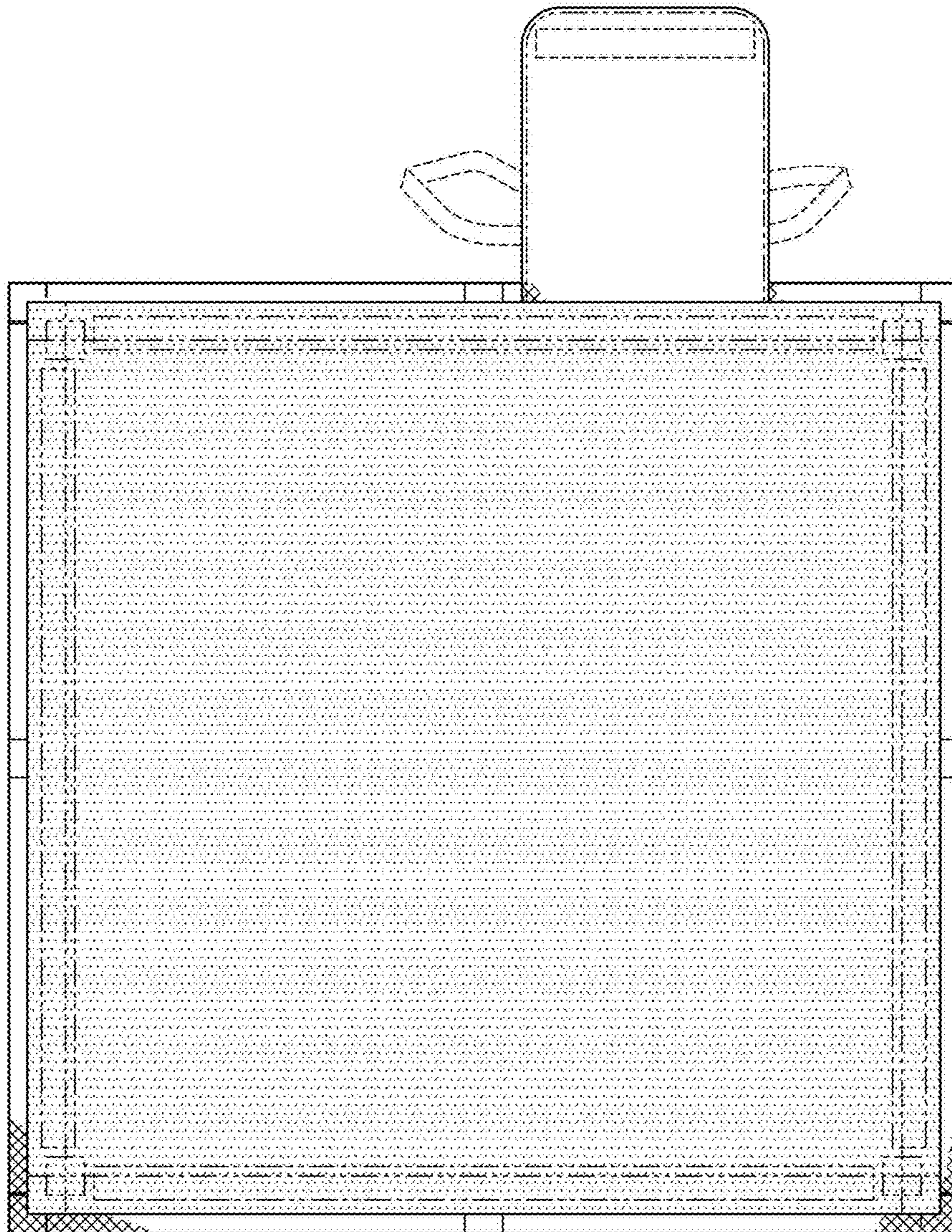


FIG. 1

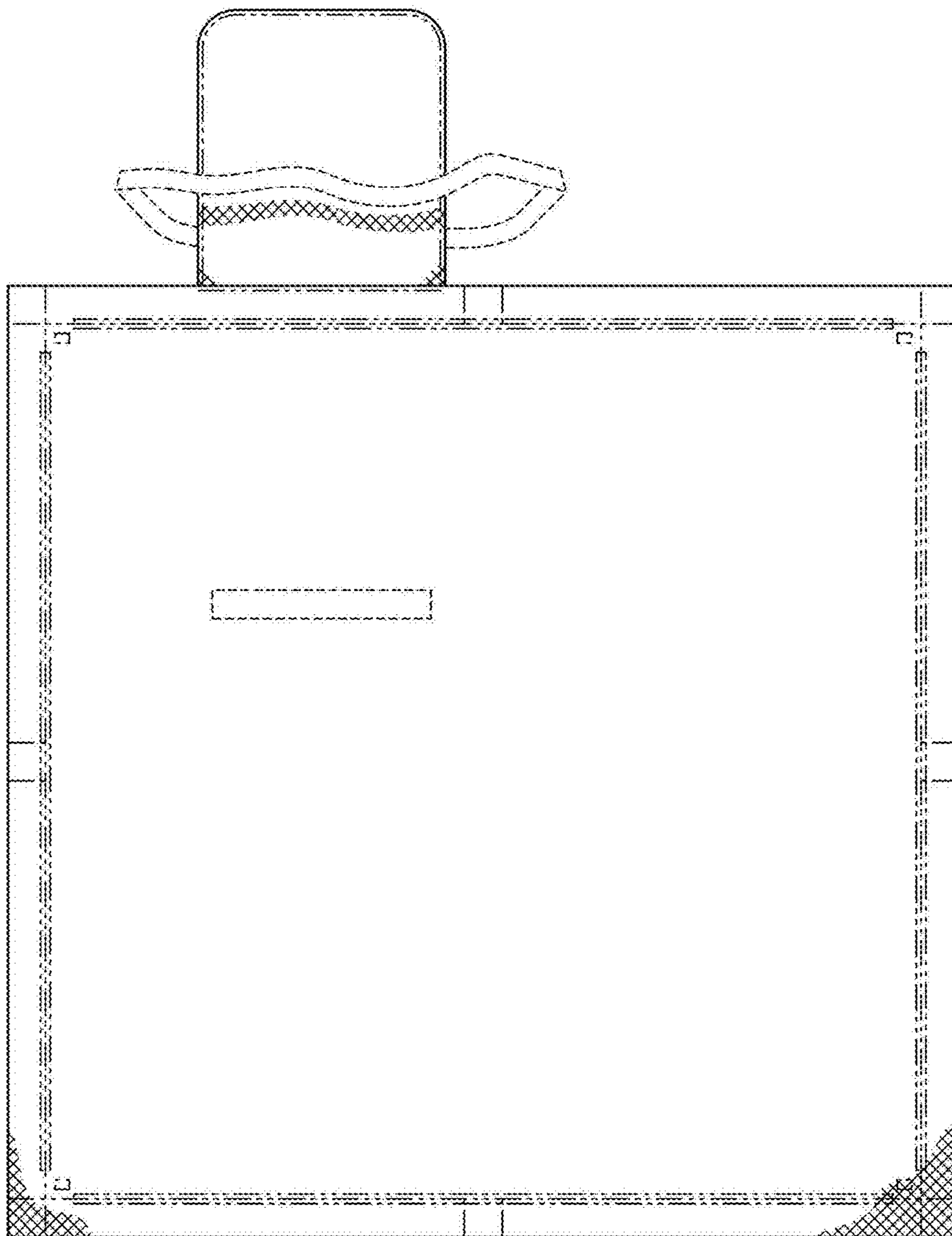


FIG. 2

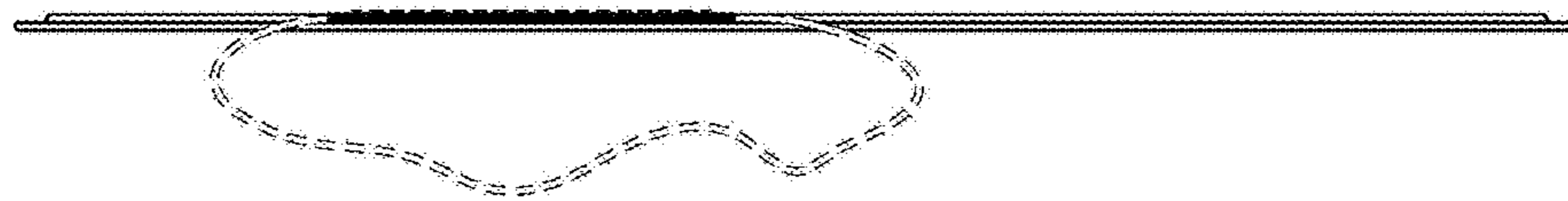


FIG. 3

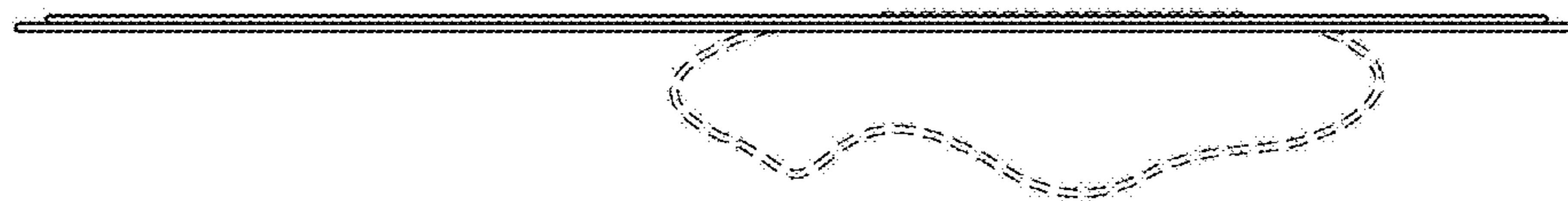


FIG. 4



FIG. 5

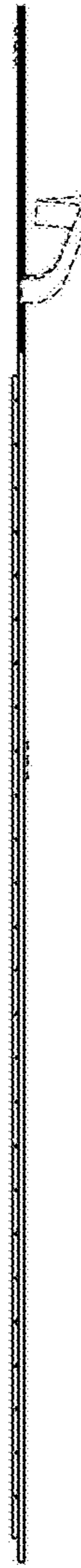


FIG. 6

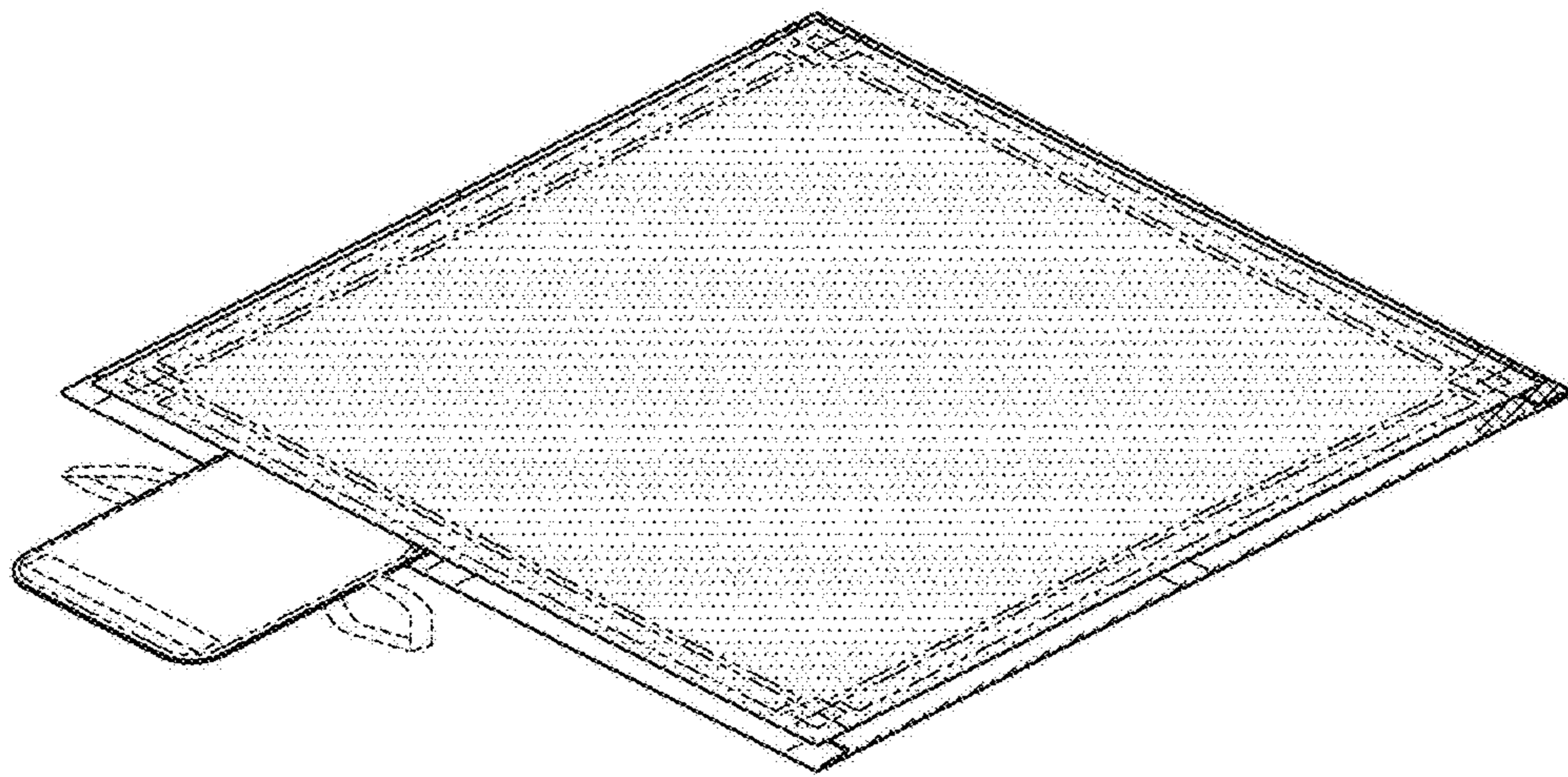


FIG. 7

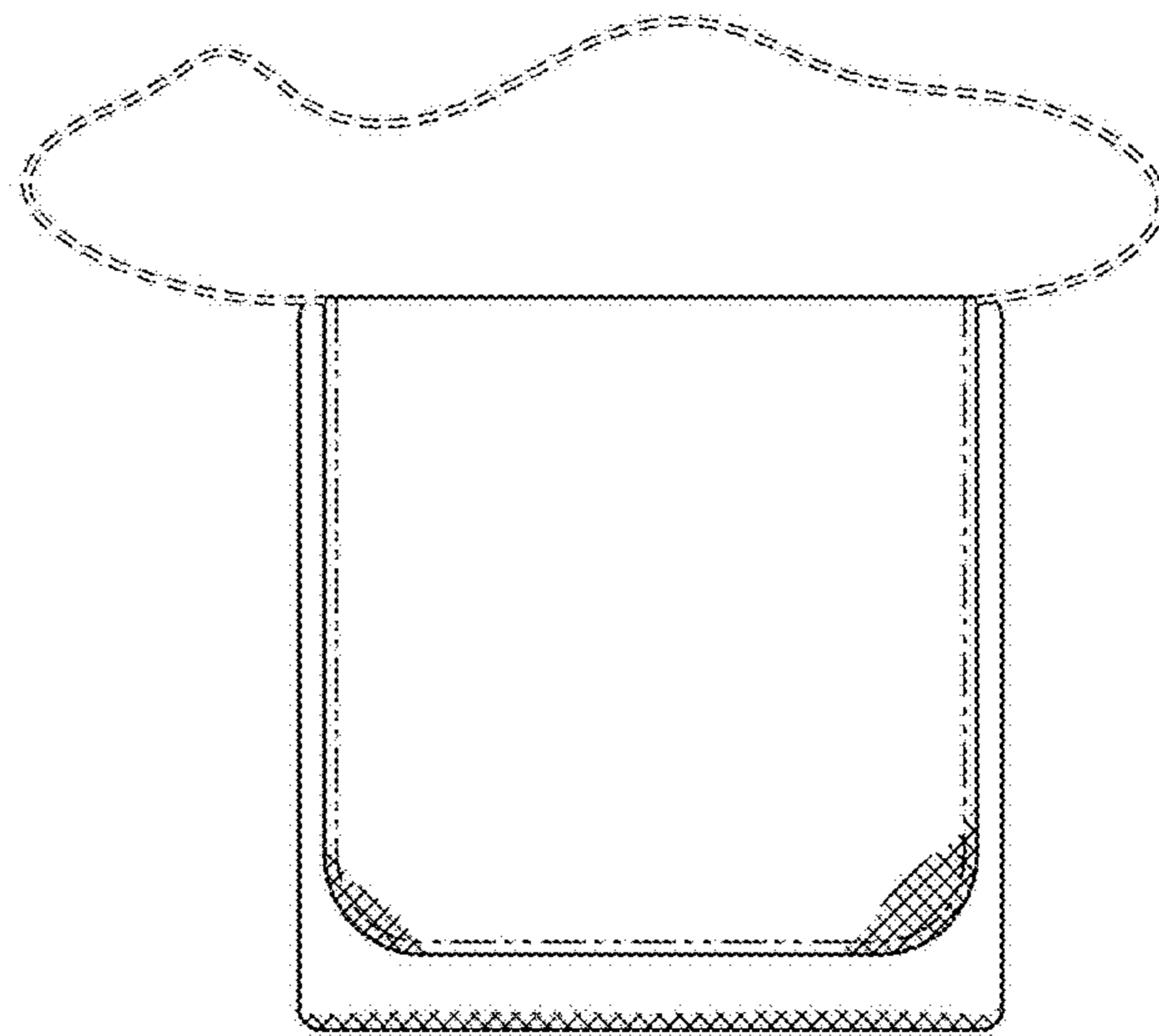


FIG. 8

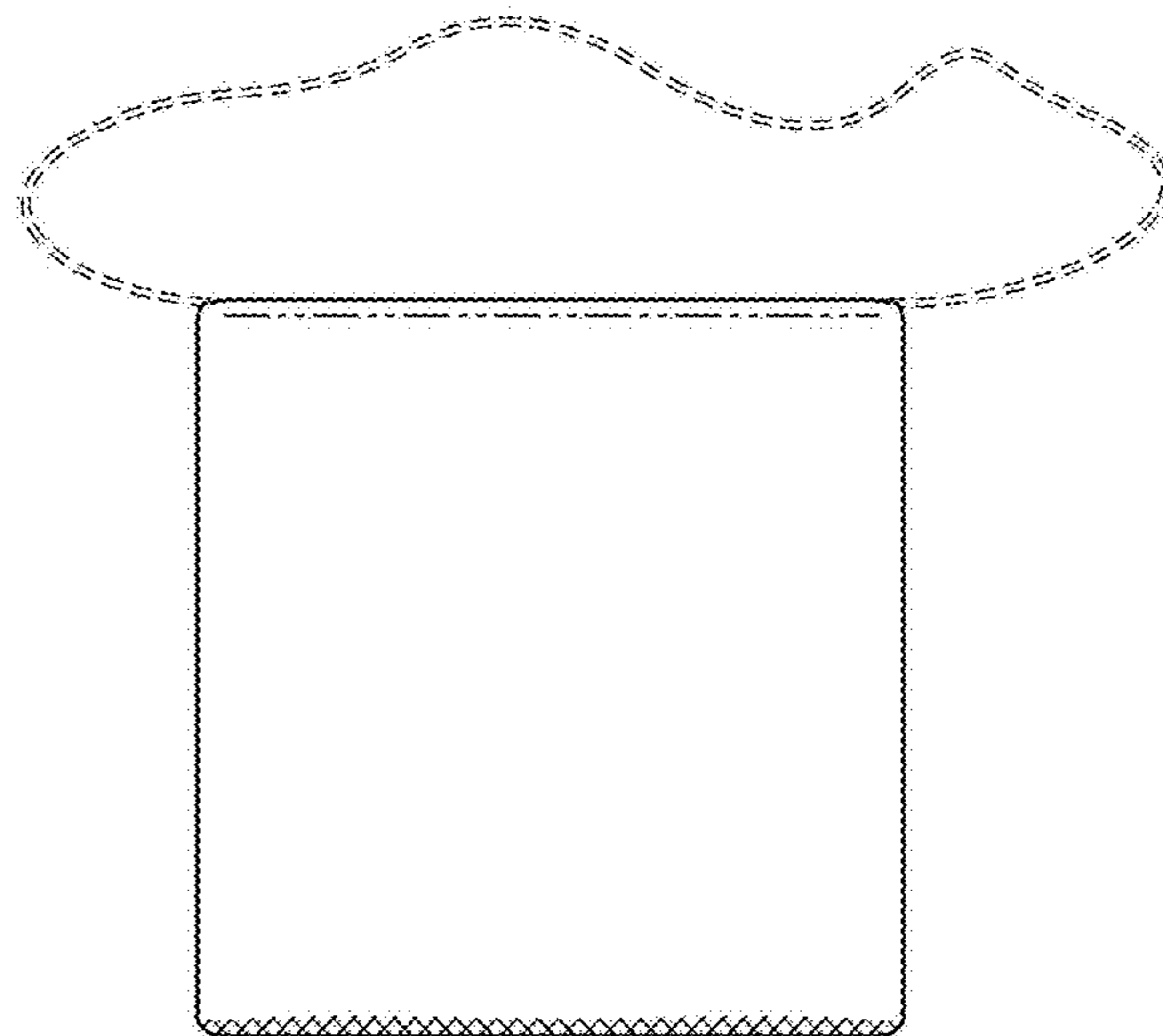


FIG. 9



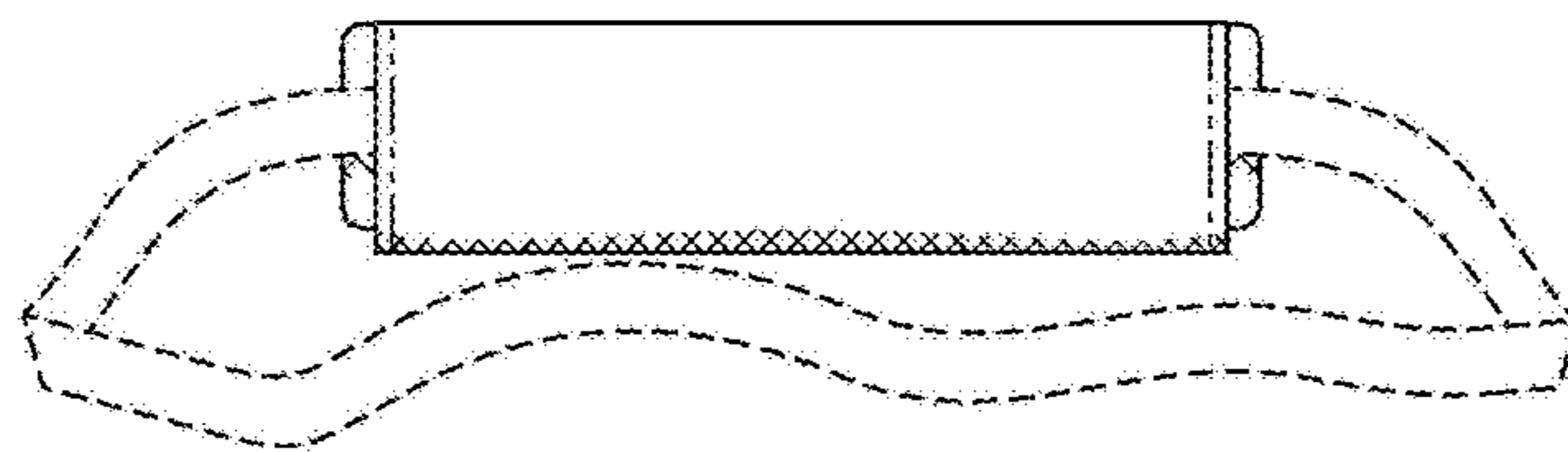


FIG. 10

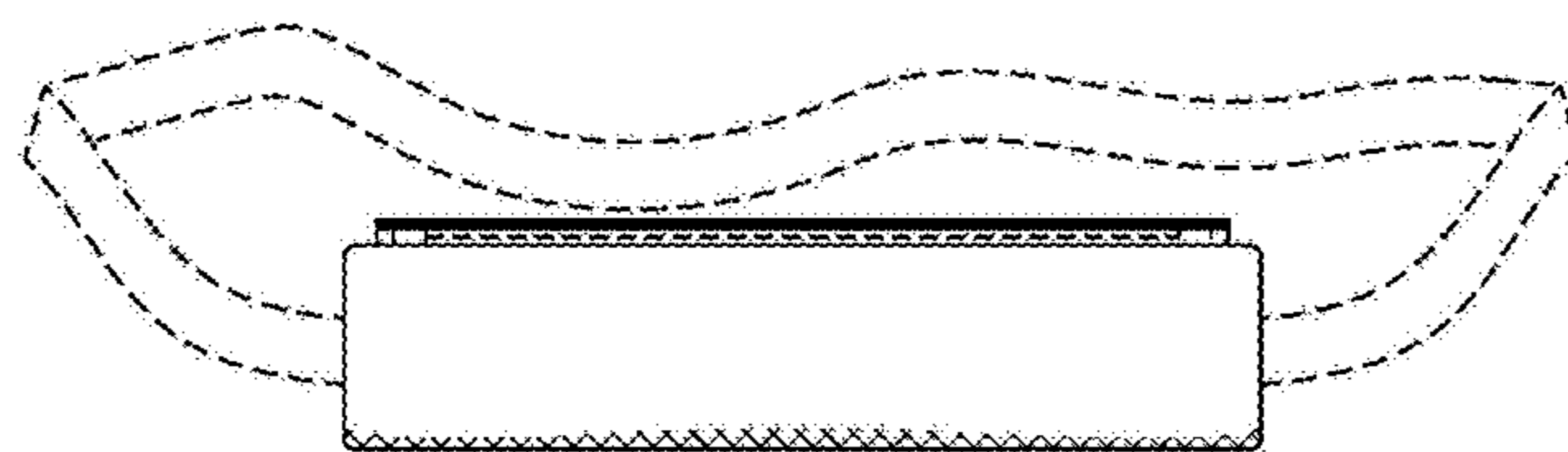


FIG. 11

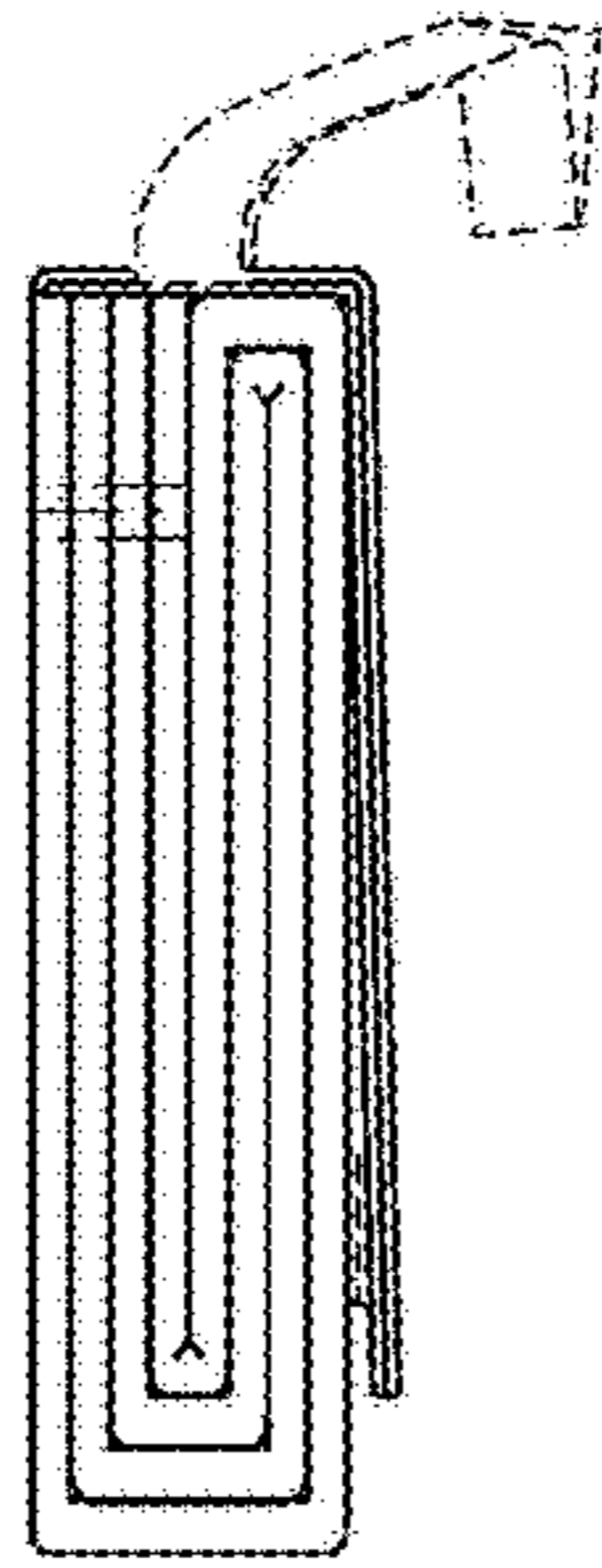


FIG. 12

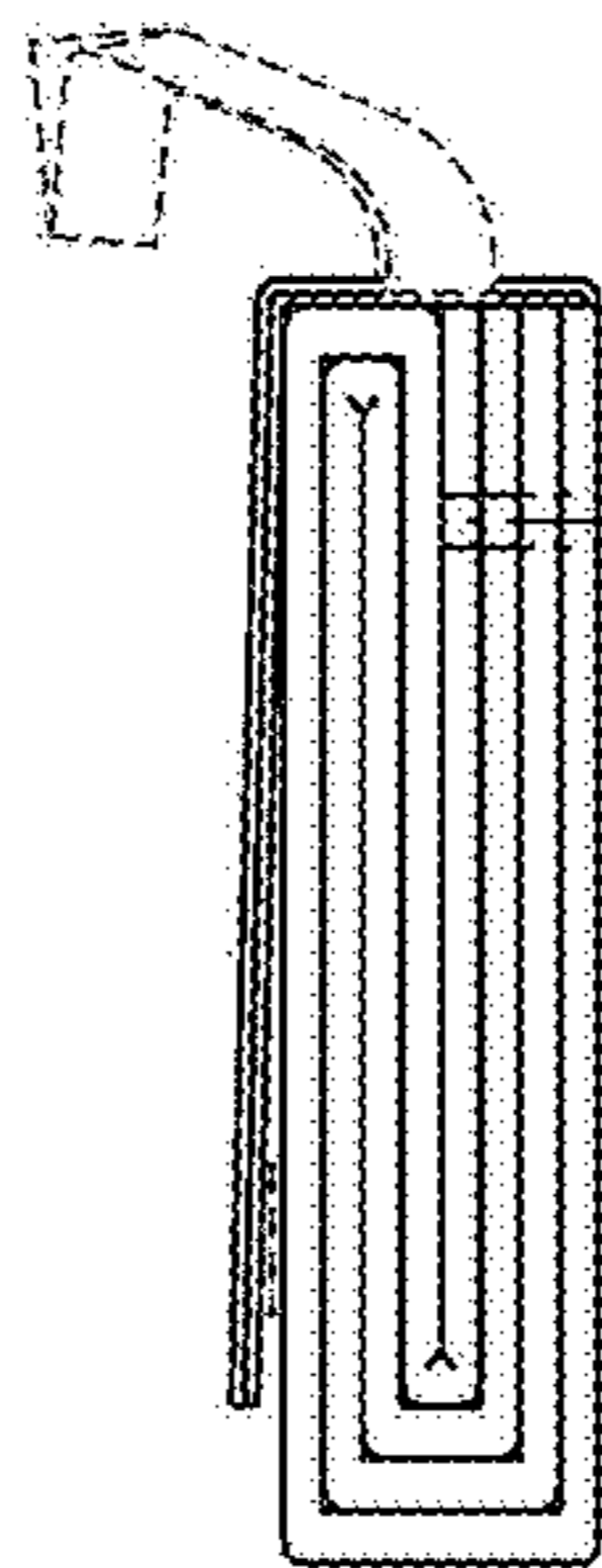


FIG. 13

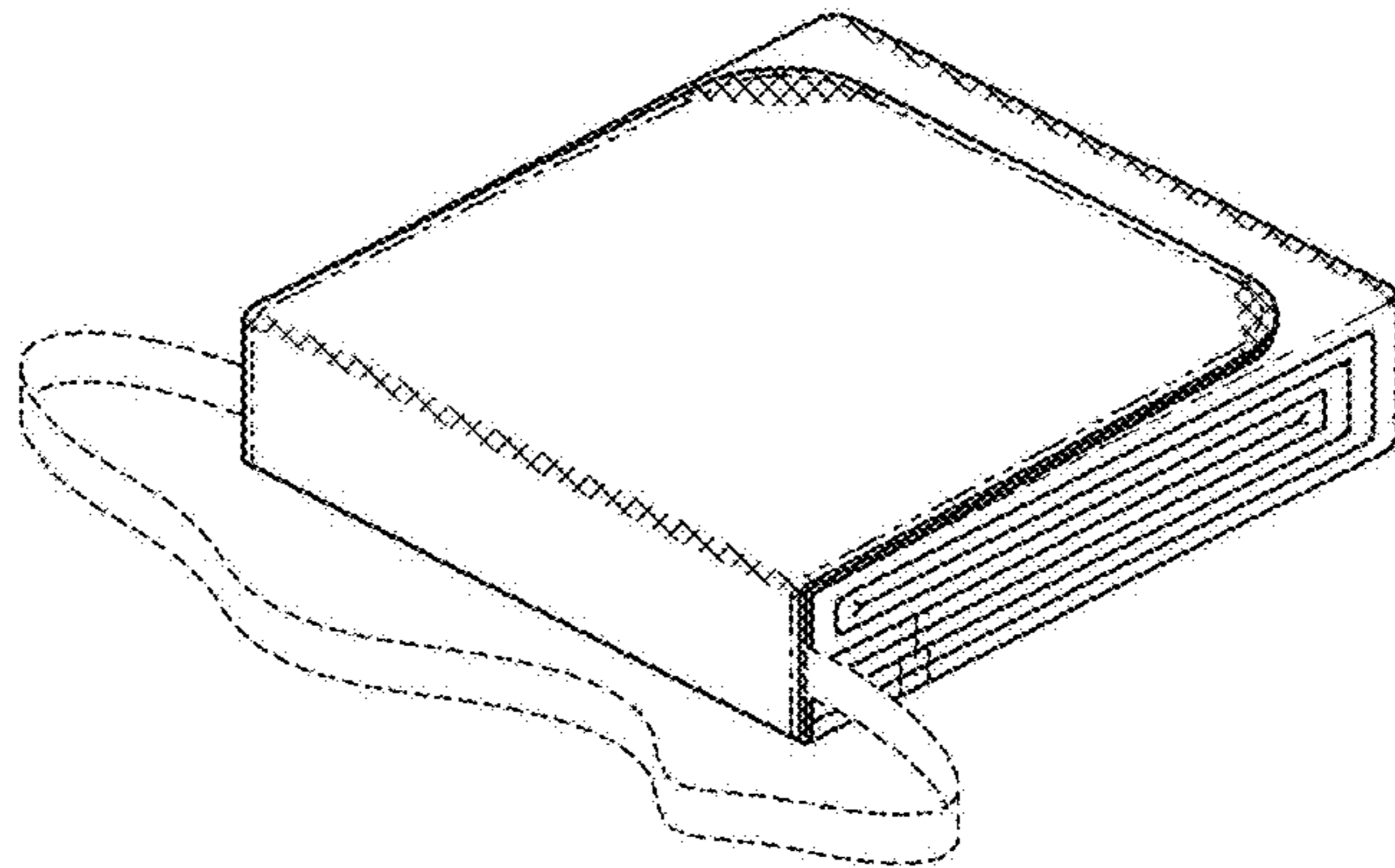


FIG. 14