



US00D855354S

(12) **United States Design Patent** (10) **Patent No.:** **US D855,354 S**  
**Zanki et al.** (45) **Date of Patent:** **\*\* \*Aug. 6, 2019**

(54) **SUPPORT APPARATUS**

(71) Applicants: **Logan Zanki**, Wilmington, NC (US);  
**Kathleen Zanki**, Wilmington, NC (US)

(72) Inventors: **Logan Zanki**, Wilmington, NC (US);  
**Kathleen Zanki**, Wilmington, NC (US)

(\* ) Notice: This patent is subject to a terminal disclaimer.

(\*\*) Term: **15 Years**

(21) Appl. No.: **29/658,412**

(22) Filed: **Jul. 31, 2018**

**Related U.S. Application Data**

(60) Continuation-in-part of application No. 29/649,835, filed on Jun. 1, 2018, which is a continuation-in-part of application No. 29/643,581, filed on Jan. 23, 2018, which is a continuation-in-part of application No. 29/624,362, filed on Oct. 31, 2017, now Pat. No. Des. 818,743, which is a division of application No. 29/555,110, filed on Feb. 18, 2016, now Pat. No. Des. 805,812.

(51) **LOC (12) Cl.** ..... **06-09**

(52) **U.S. Cl.**  
USPC ..... **D6/601**

(58) **Field of Classification Search**  
USPC ..... D6/333, 349, 355, 375, 388, 512, 563, D6/564, 595, 596, 601, 604, 611, 707, D6/715, 716, 716.1; D24/183-185, 234; D21/803, 804, 805, 809; 5/401, 420, 5/600, 630, 631, 632, 633, 635, 636, 638, 5/639, 646, 652, 652.1, 655, 703, 730; 297/1, 2, 4, 93, 180.11, 195.1, 195.11, 297/195.13, 393, 397, 452.12, 452.14, 297/452.15, 452.21, 452.24, 452.26, 297/452.48, 452.62, 482  
CPC ..... A47G 9/10; A47G 9/1009; A47G 9/1027; A47G 9/1045; A47G 9/1063; A47G 9/1072; A47G 9/1081

See application file for complete search history.

(56) **References Cited**

U.S. PATENT DOCUMENTS

D257,309 S \* 10/1980 Kroll ..... D6/601  
D277,316 S \* 1/1985 Meares ..... D24/190  
D285,752 S \* 9/1986 Sadow ..... 5/648  
D293,755 S \* 1/1988 Murphy ..... D6/601  
4,944,059 A \* 7/1990 Wall ..... A47C 20/025  
5,044,030 A \* 9/1991 Balaton ..... A47C 27/081  
297/DIG. 3  
D335,999 S \* 6/1993 Van Driessche ..... 5/631  
D341,981 S \* 12/1993 Harris ..... D6/601  
D357,740 S \* 4/1995 Kennemore ..... D24/183  
D370,066 S \* 5/1996 Kennemore ..... D24/183

(Continued)

OTHER PUBLICATIONS

Cozy Bump, announced Aug. 2017, [online], [site visited Oct. 27, 2018]. Available from Internet, <URL: <https://www.cozybump.com/>> (Year: 2017).\*

*Primary Examiner* — Michelle E. Wilson

*Assistant Examiner* — Sanjeev Paul

(74) *Attorney, Agent, or Firm* — Gerhart Law, LLC

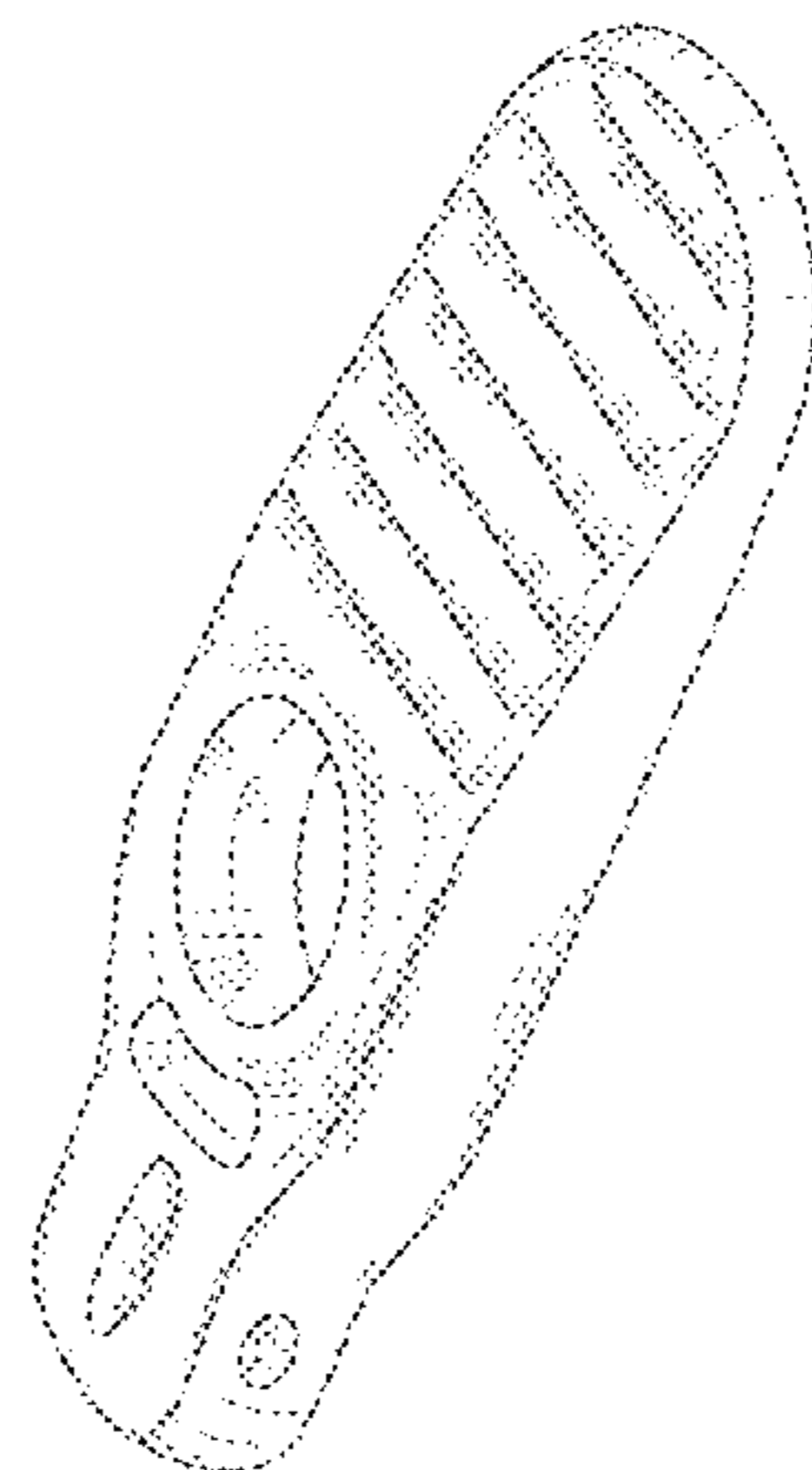
(57) **CLAIM**

The ornamental design for a support apparatus, as shown and described.

**DESCRIPTION**

FIG. 1 is a perspective view of the support apparatus.  
FIG. 2 is a top view thereof.  
FIG. 3 is a bottom view thereof.  
FIG. 4 is a back view thereof.  
FIG. 5 is a front view thereof.  
FIG. 6 is a right side view thereof; and,  
FIG. 7 is a left side view thereof.

**1 Claim, 5 Drawing Sheets**



(56)

**References Cited**

## U.S. PATENT DOCUMENTS

D370,821 S \* 6/1996 Mata ..... D6/596  
D375,989 S \* 11/1996 Jacobs ..... D21/809  
D376,945 S \* 12/1996 Bonaddio ..... 5/420  
D378,259 S \* 3/1997 Bonaddio ..... D6/596  
D420,238 S \* 2/2000 Jefferson ..... 5/490  
6,058,536 A \* 5/2000 Henry ..... A47C 27/12  
5/691  
D528,624 S \* 9/2006 Peterson ..... D21/803  
D529,978 S \* 10/2006 Peterson ..... D21/809  
D530,771 S \* 10/2006 Peterson ..... D21/809  
D531,249 S \* 10/2006 Peterson ..... D21/803  
D535,717 S \* 1/2007 Peterson ..... D21/803  
D560,947 S \* 2/2008 Kreucher ..... D6/601  
D584,911 S \* 1/2009 Hisey ..... D21/803  
D587,507 S \* 3/2009 Martin ..... D6/604  
D613,105 S \* 4/2010 Chuang ..... D6/601  
D657,832 S \* 4/2012 Beber ..... D21/683  
D666,045 S \* 8/2012 Spencer ..... D6/601  
D749,875 S \* 2/2016 Sullivan ..... D6/604  
D767,148 S \* 9/2016 Perreault ..... D24/183  
D793,123 S \* 8/2017 Zanki ..... D6/601  
D798,633 S \* 10/2017 Zanki ..... D6/601  
D805,812 S \* 12/2017 Zanki ..... D6/601  
D807,081 S \* 1/2018 Zanki ..... D6/601  
D807,082 S \* 1/2018 Zanki ..... D6/601  
D818,743 S \* 5/2018 Zanki ..... D6/601  
D834,717 S \* 11/2018 Lane ..... D24/183  
D842,626 S \* 3/2019 Zanki ..... D6/601  
D843,135 S \* 3/2019 Zanki ..... D6/601  
2017/0071357 A1 \* 3/2017 Zanki ..... A47C 20/025  
2018/0146719 A1 \* 5/2018 Zanki ..... A41C 1/08

\* cited by examiner

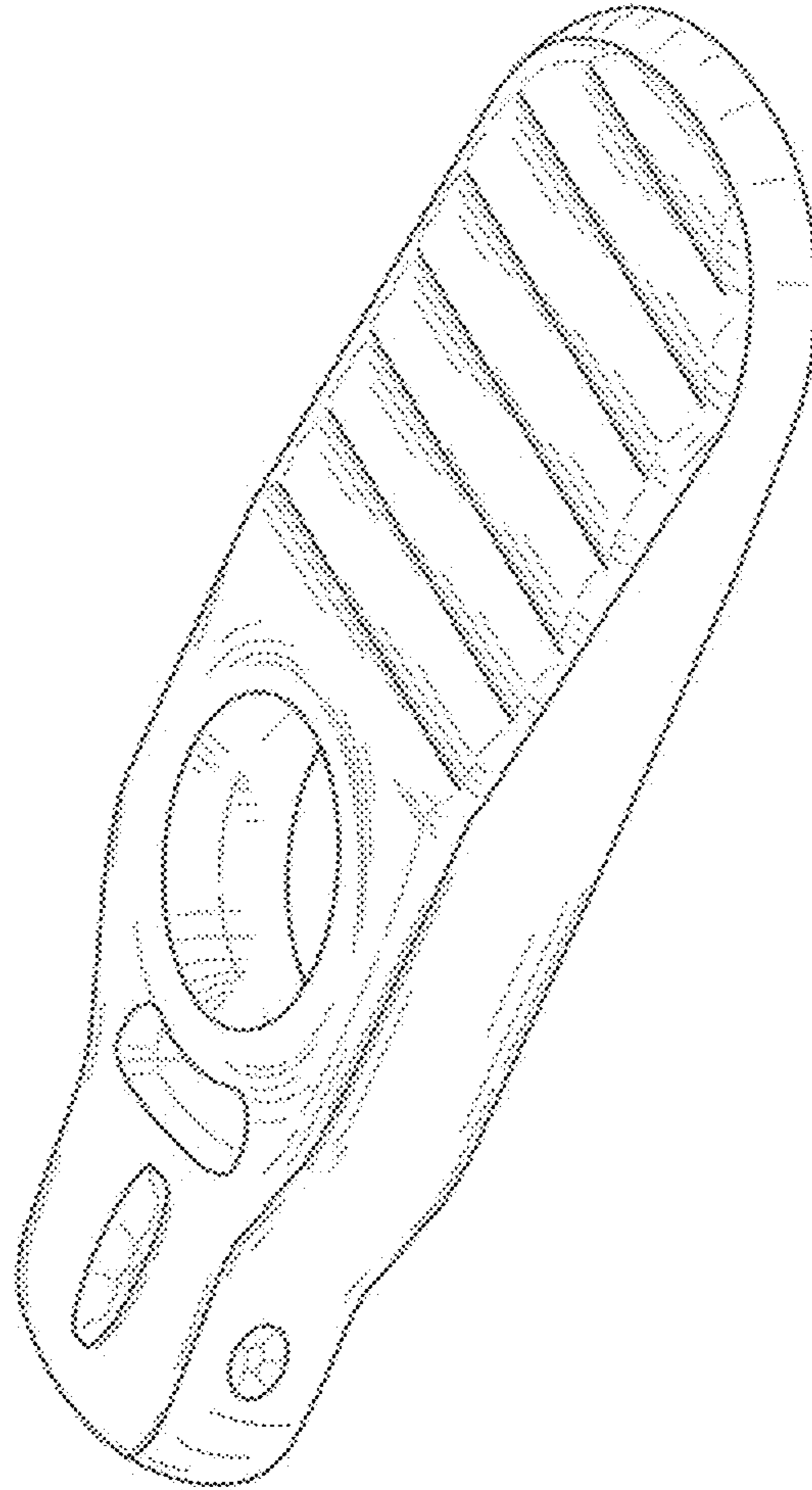


FIG. 1

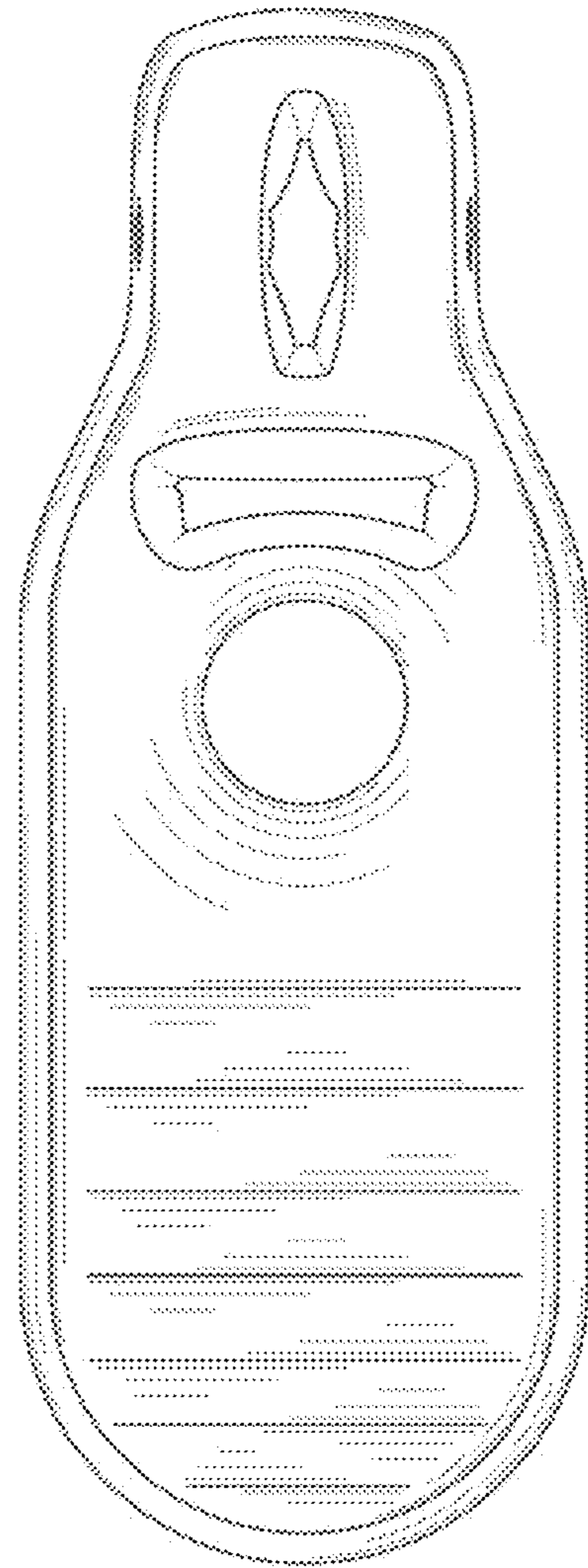


FIG. 2

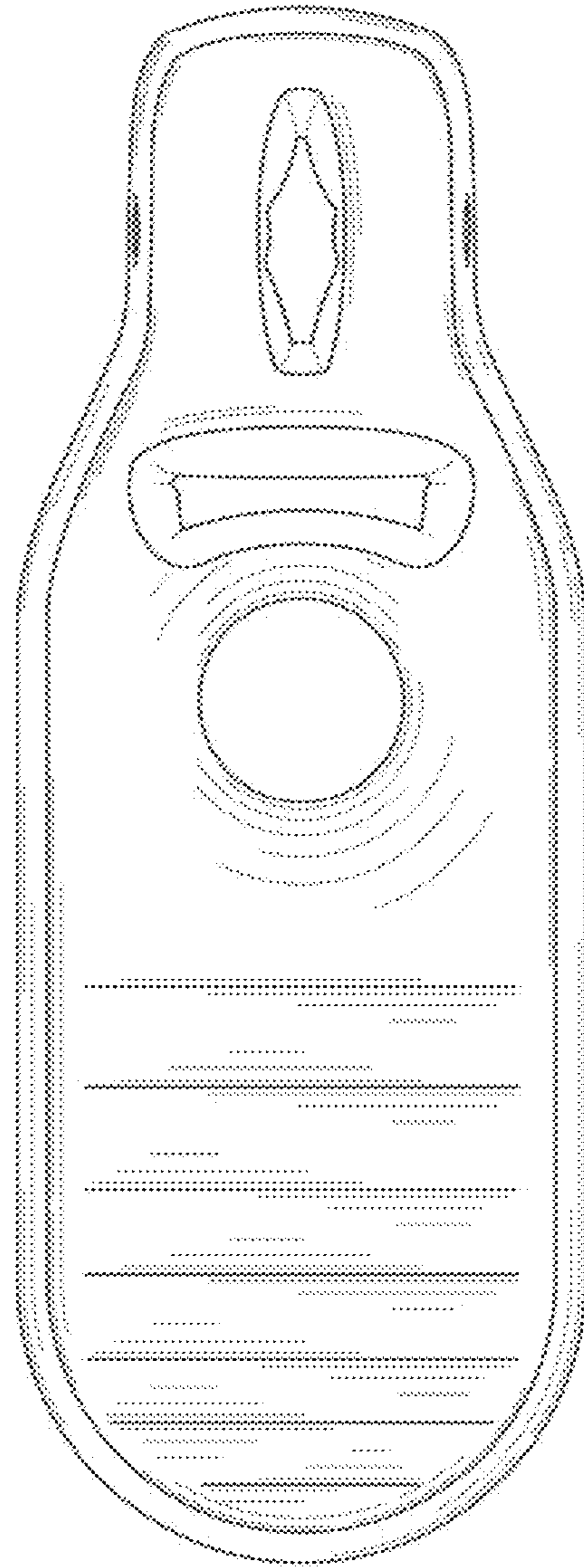


FIG. 3



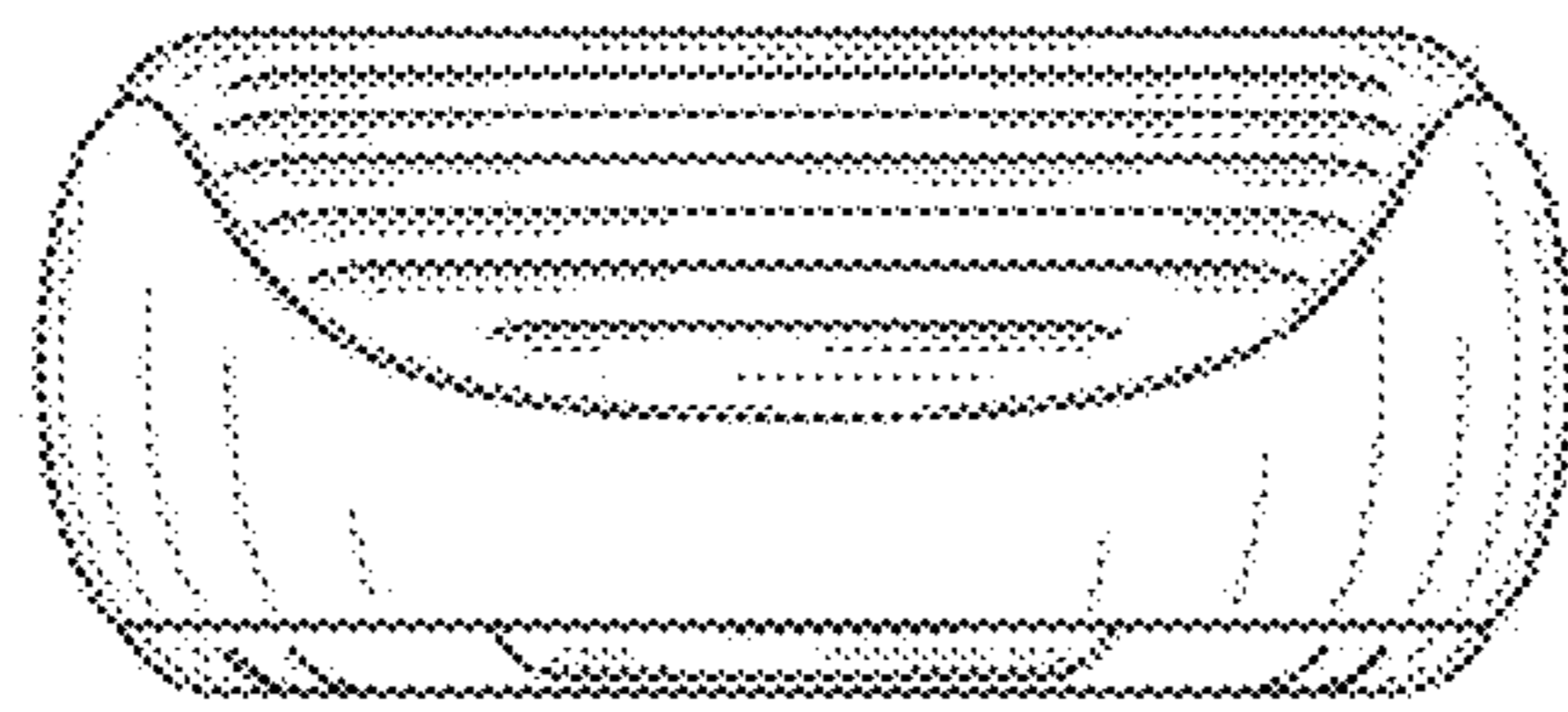


FIG. 4

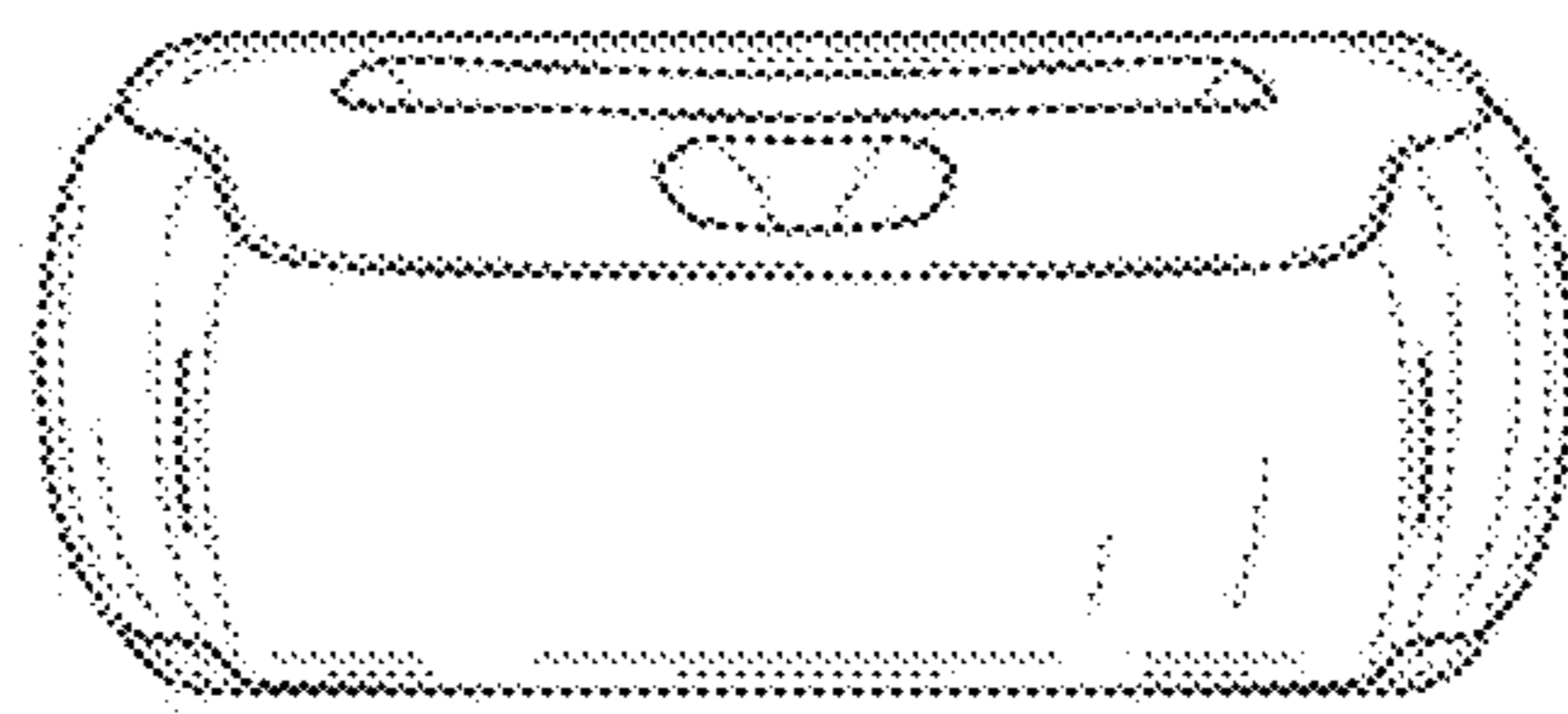


FIG. 5

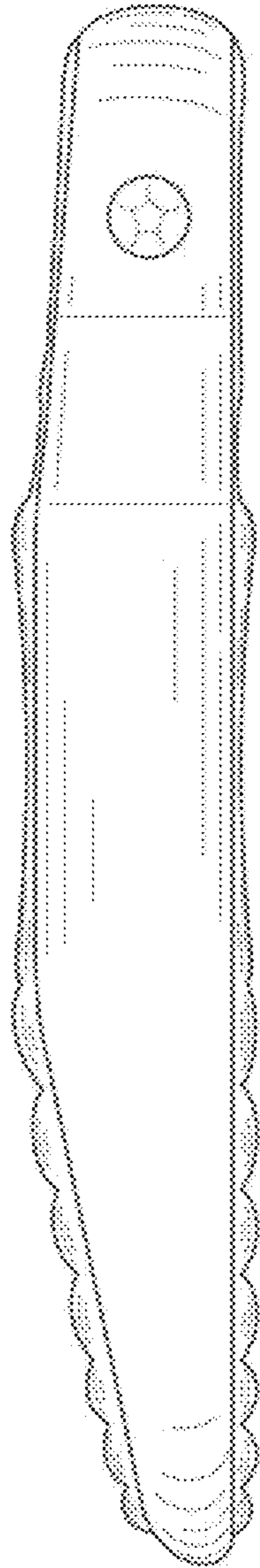


FIG. 6

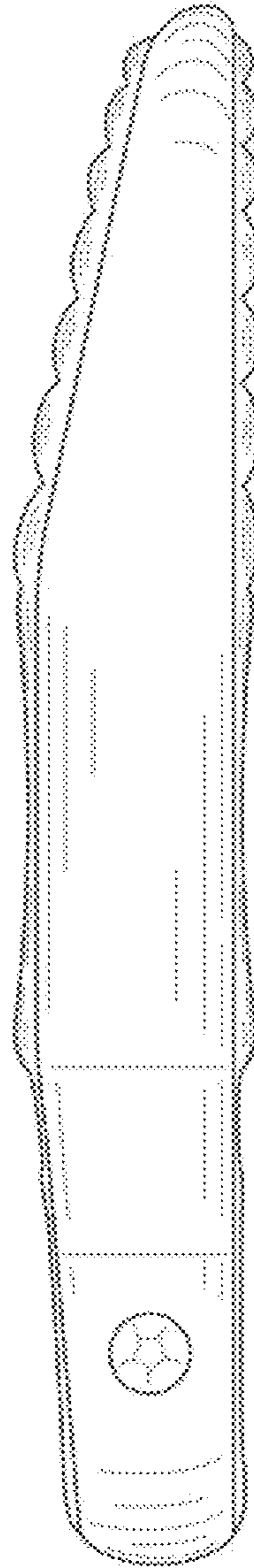


FIG. 7