



US00D855352S

(12) **United States Design Patent**  
**Nilssen et al.**

(10) **Patent No.:** **US D855,352 S**

(45) **Date of Patent:** **\*\* Aug. 6, 2019**

(54) **SHELF**

(71) Applicant: **Hestan Commercial Corporation,**  
Anaheim, CA (US)

(72) Inventors: **Raymond Nilssen,** Fairhope, AL (US);  
**Kevin D Kinch,** West Columbia, SC (US)

(73) Assignee: **Hestan Commercial Corporation,**  
Anaheim, CA (US)

(\*\*) Term: **15 Years**

(21) Appl. No.: **29/629,326**

(22) Filed: **Dec. 12, 2017**

(51) **LOC (12) Cl.** ..... **06-04**

(52) **U.S. Cl.**  
USPC ..... **D6/574; D15/89; D7/406**

(58) **Field of Classification Search**  
USPC ..... D7/402-409, 332, 337, 339-341,  
D7/346-349, 350.1-351, 362-363, 323,  
D7/550.1, 552.1, 554.3, 554.4; D6/705,  
D6/574, 681.2, 691.9, 648.2, 654;  
D15/89

CPC ..... A47J 37/0786; F24C 15/16; F24C 3/082;  
F24C 3/085; F24C 7/083

See application file for complete search history.

(56) **References Cited**

**U.S. PATENT DOCUMENTS**

D170,009 S \* 7/1953 Cripe et al. .... D7/406  
D175,295 S \* 8/1955 Caldwell ..... D7/406

D321,620 S \* 11/1991 Stumpf ..... D6/574  
D321,622 S \* 11/1991 Stumpf ..... D6/574  
D493,320 S \* 7/2004 Ayers ..... D6/574  
D501,621 S \* 2/2005 Ayers ..... D6/574  
D568,344 S \* 5/2008 Baacke ..... D15/89  
D607,020 S \* 12/2009 Baacke ..... D15/89  
D662,341 S \* 6/2012 Sanders ..... D6/705  
D702,740 S \* 4/2014 Yong ..... D15/89  
D707,067 S \* 6/2014 Basarich ..... D6/705  
D716,581 S \* 11/2014 Davis ..... D6/574  
D716,608 S \* 11/2014 Tosin ..... D7/405

\* cited by examiner

*Primary Examiner* — Sheryl Lane

*Assistant Examiner* — Nicole C Shiflet

(74) *Attorney, Agent, or Firm* — Edward S. Sherman

(57) **CLAIM**

The ornamental design for a shelf, as shown and described.

**DESCRIPTION**

FIG. 1 is a top perspective view of the shelf showing my new design;

FIG. 2 is a bottom perspective view thereof;

FIG. 3 is a back perspective view thereof;

FIG. 4 is a left side elevation view, the right side elevation being the mirror image thereof;

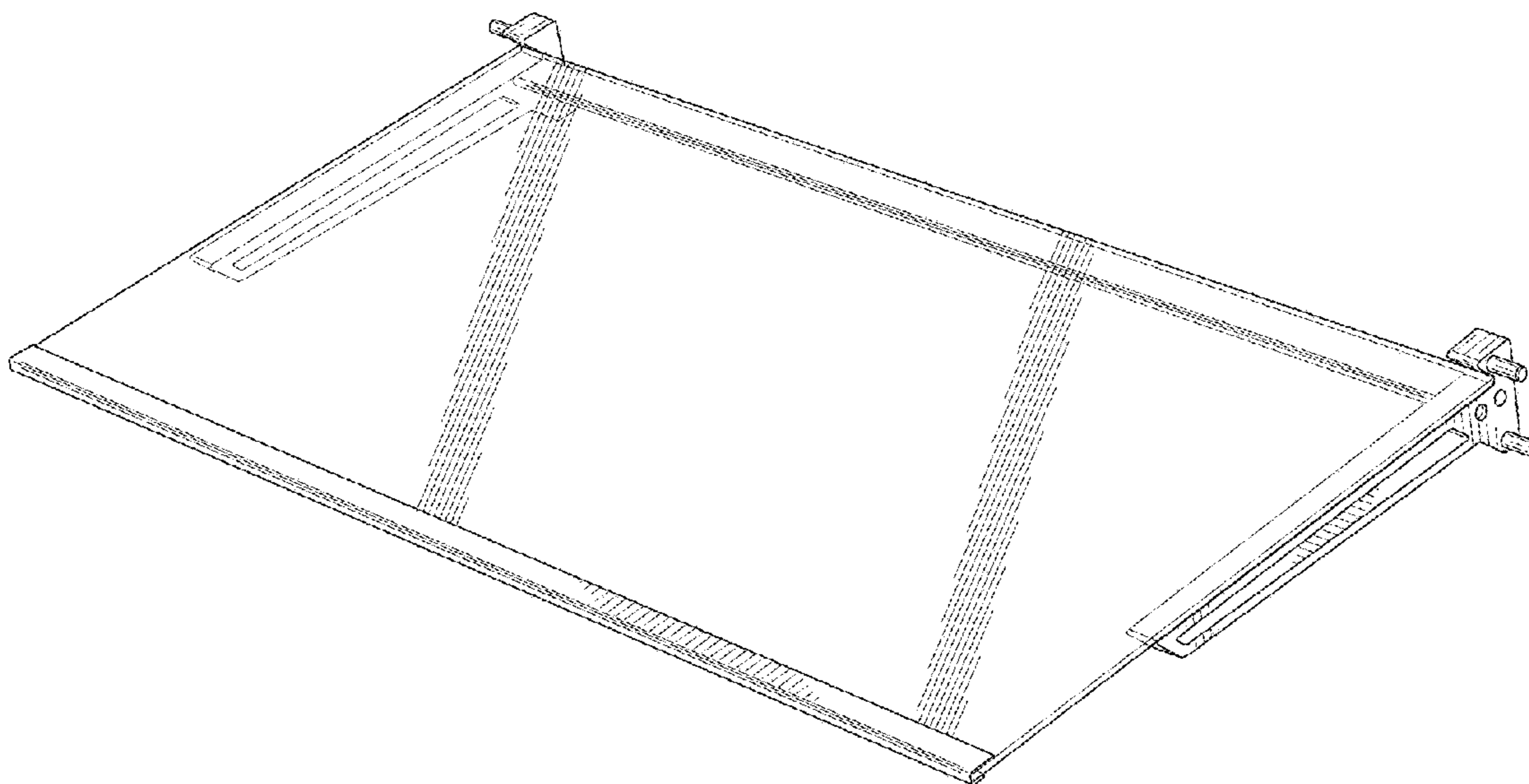
FIG. 5 is a top plan view thereof;

FIG. 6 is a bottom plan view thereof.

FIG. 7 is a back elevation view thereof; and,

FIG. 8 is a front elevation view thereof.

**1 Claim, 8 Drawing Sheets**



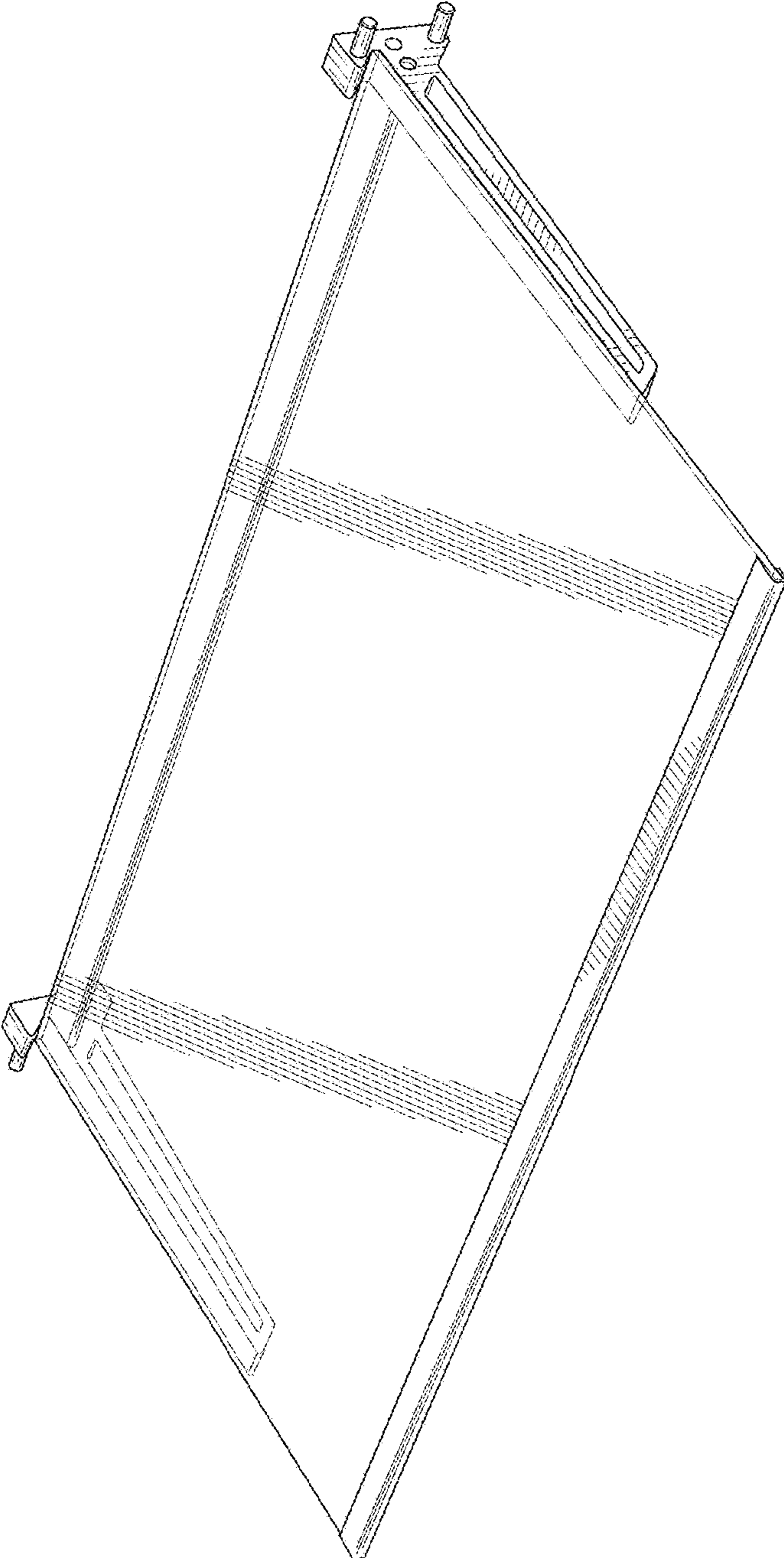


FIG. 1

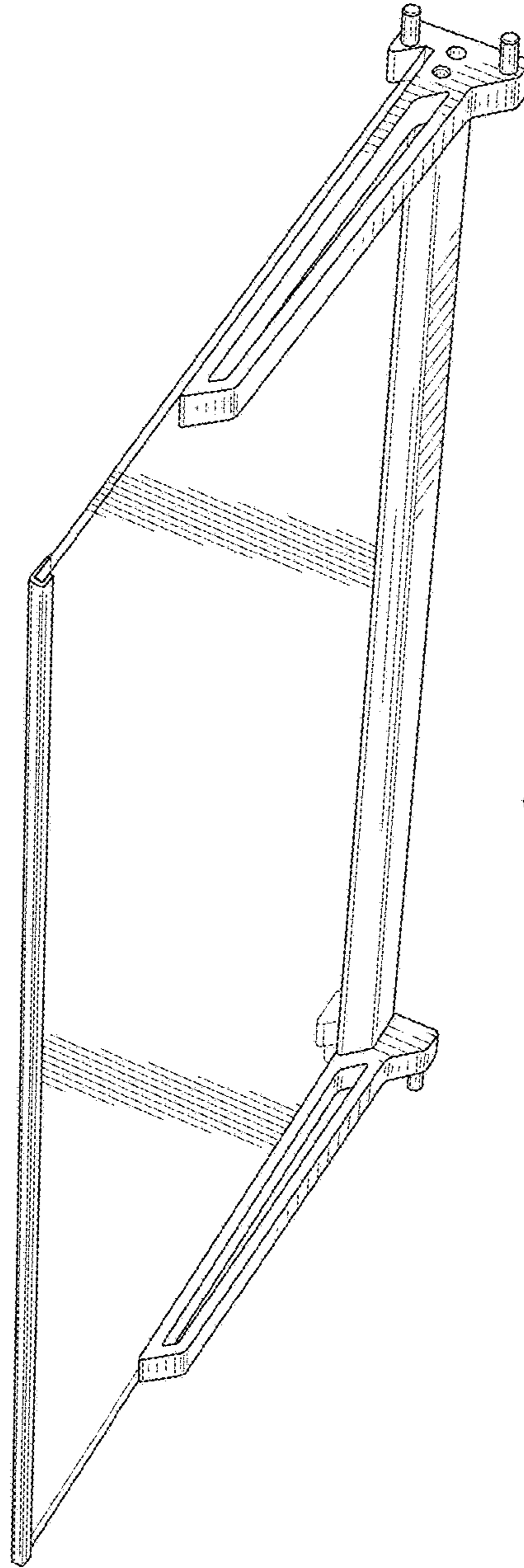


FIG. 2

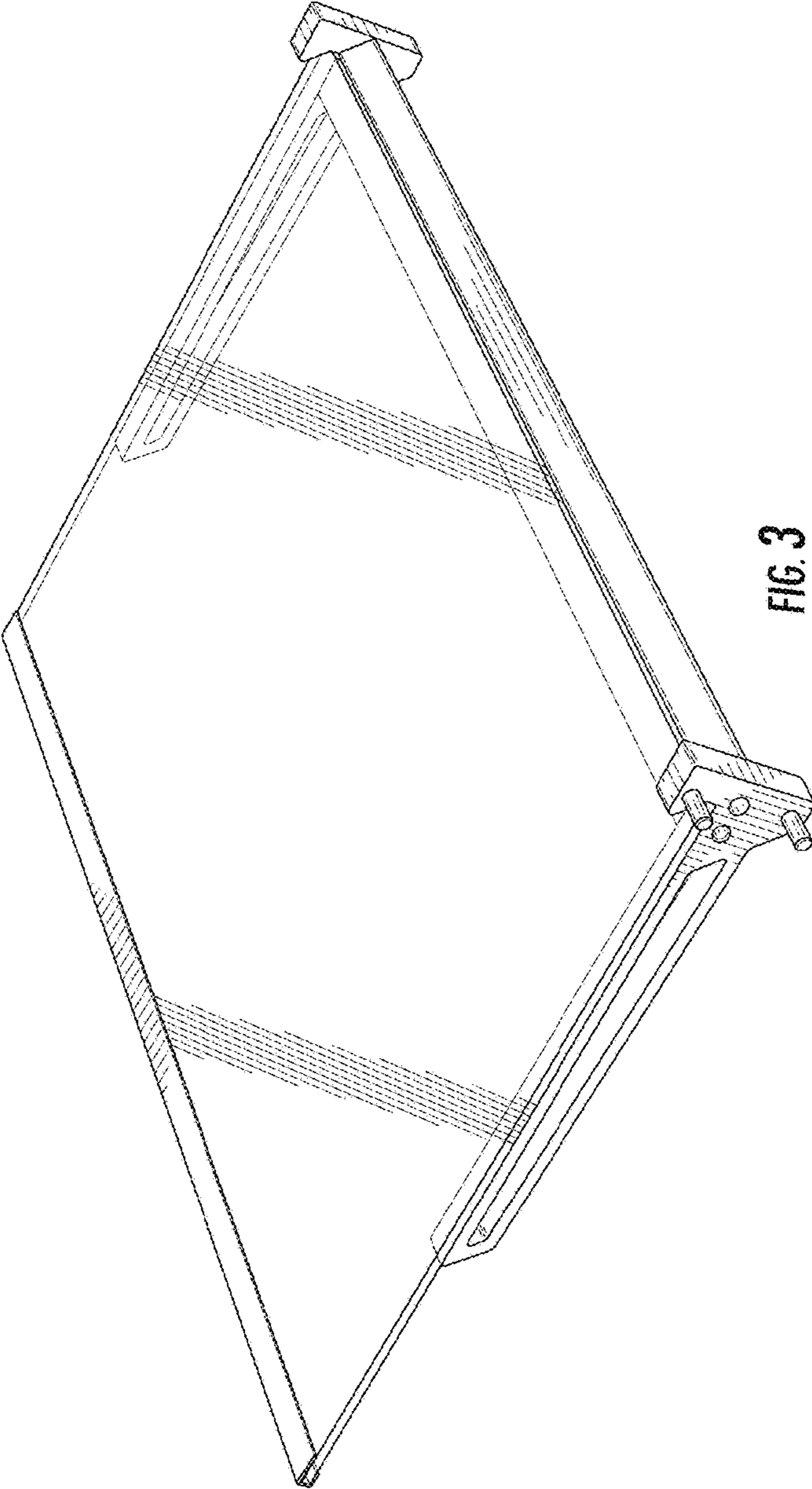


FIG. 3

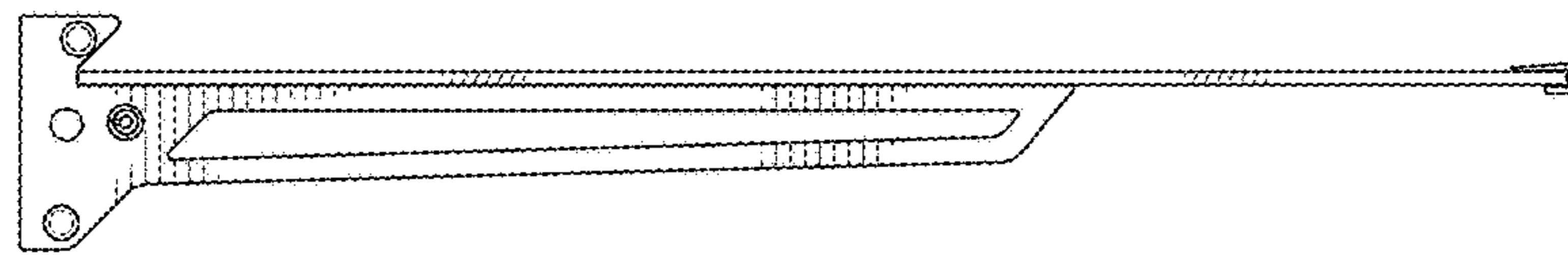


FIG. 4



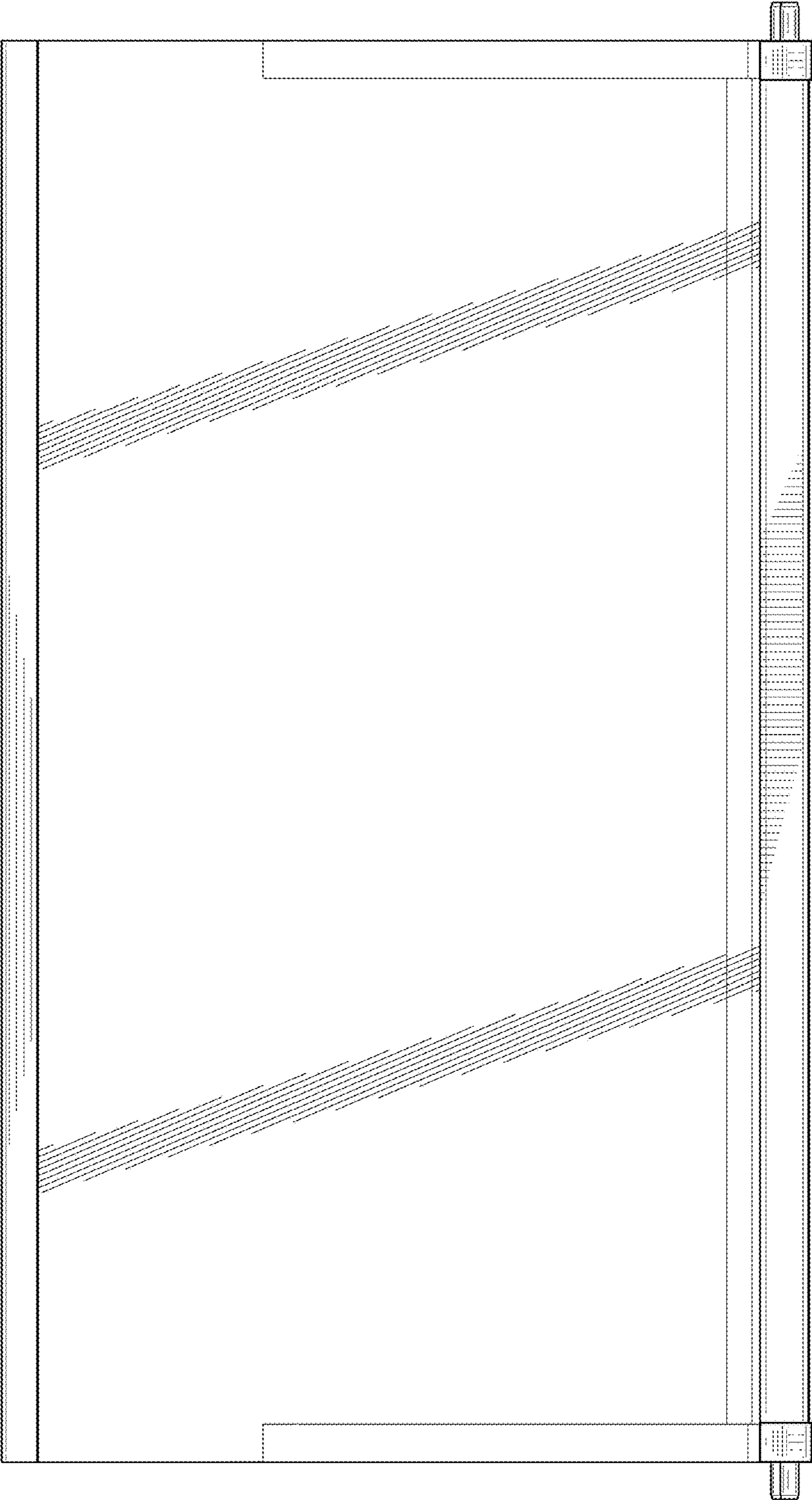


FIG. 5

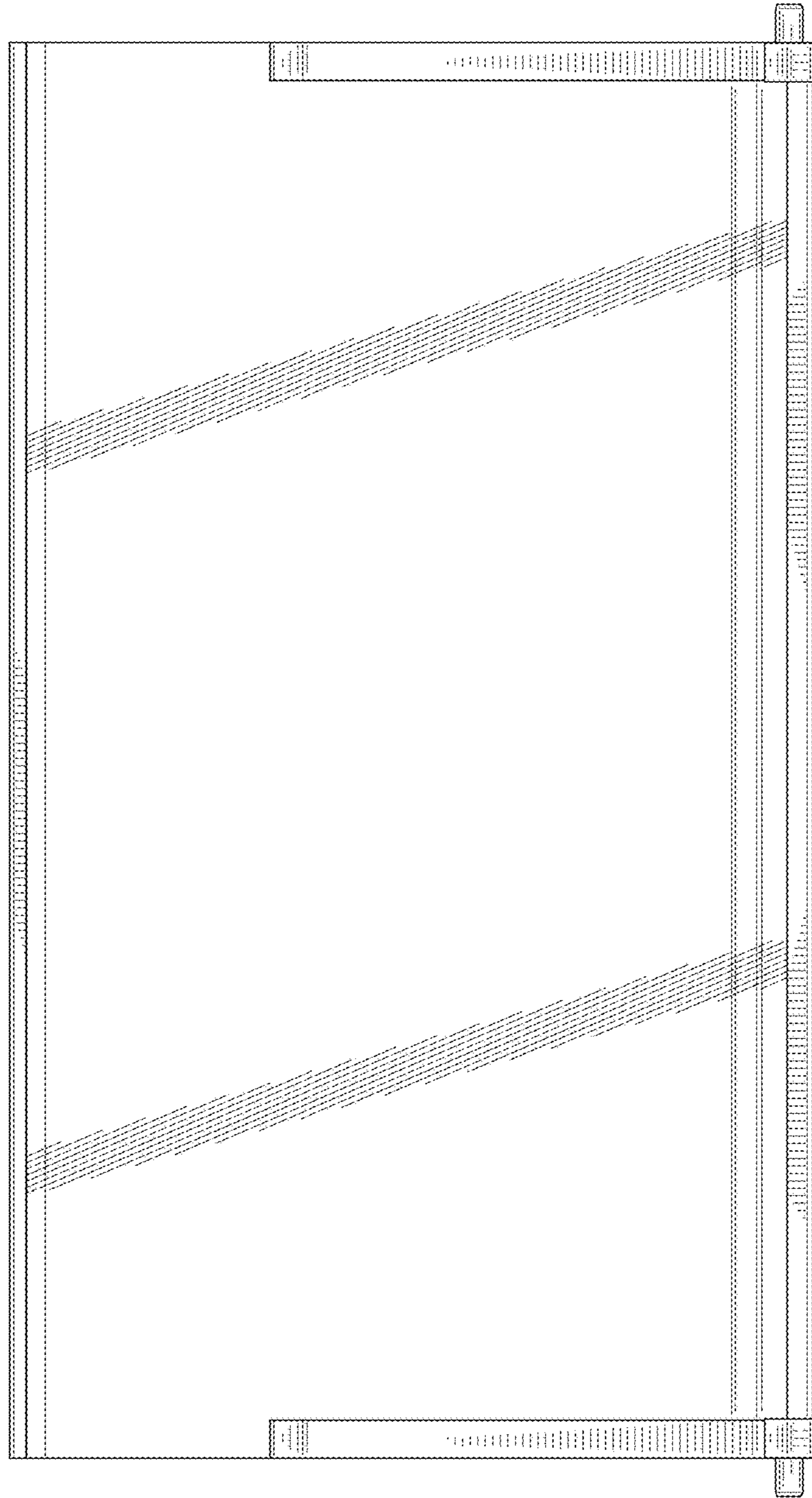


FIG. 6

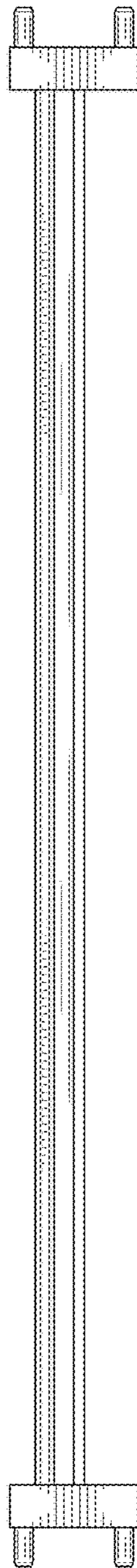


FIG. 7



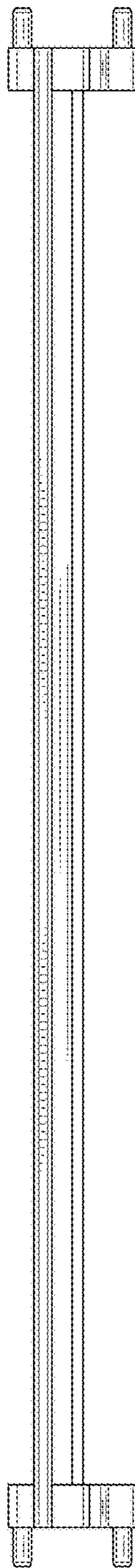


FIG. 8