



US00D855350S

(12) **United States Design Patent** (10) **Patent No.:** **US D855,350 S**
Holt (45) **Date of Patent:** **** Aug. 6, 2019**

(54) **DEVICE MOUNTING APPARATUS**

2012/0127379 A1* 5/2012 Wengreen H05K 5/0204
348/836

(71) Applicant: **Gerald Dwayne Holt**, Klamath Falls,
OR (US)

2016/0080681 A1* 3/2016 Bynum H04N 5/655
348/836

(72) Inventor: **Gerald Dwayne Holt**, Klamath Falls,
OR (US)

2018/0008044 A1* 1/2018 Holt A47B 97/00

* cited by examiner

(**) Term: **15 Years**

Primary Examiner — Wan Laymon

Assistant Examiner — Mark Booker

(21) Appl. No.: **29/610,073**

(74) *Attorney, Agent, or Firm* — Graham Casanova Alig;
Alig Patent Law

(22) Filed: **Jul. 10, 2017**

(57) **CLAIM**

Related U.S. Application Data

I claim the ornamental design for the device mounting
apparatus, as shown and described.

(63) Continuation-in-part of application No. 15/644,836,
filed on Jul. 10, 2017, and a continuation-in-part of
application No. PCT/US2017/041287, filed on Jul.
10, 2017.

DESCRIPTION

(51) **LOC (12) Cl.** **06-04**

FIG. 1 is an isometric view of a device mounting apparatus
of the present invention;

(52) **U.S. Cl.**

FIG. 2 is a direct front view thereof;

USPC **D6/553**

FIG. 3 is a direct top-down view thereof;

(58) **Field of Classification Search**

USPC D6/553, 574; D7/698; 52/287.1;

FIG. 4 is a right side view, the left side view is a mirror
image thereof; and,

108/28–29, 152; 211/13.1, 42, 86.01,

FIG. 5 is an isometric view of thereof, attached to a flat
screen monitor and holding a device.

211/88.01, 90.01, 90.03, 126.1, 134, 153;

248/205.3, 235, 243, 247, 249, 250;

It is noted both the monitor and device are depicted as
dashed lines to clearly disavow any claim to the ornamental
design of the dashed elements.

312/108, 140.2, 229; 348/836; D14/129

CPC .. H04N 5/655; A47B 83/001; A47B 21/0314;

F16M 13/02

The bottom of the device mounting apparatus is flat and
devoid of ornamental features as such the bottom view
forms no part of the claimed design. The device mounting
apparatus is shown in its environment in FIG. 5, broken lines
are used to indicate that elements of the environment form
no part of the claimed design.

See application file for complete search history.

The broken line shown in FIG. 5 forms no part of the
claimed design.

(56) **References Cited**

U.S. PATENT DOCUMENTS

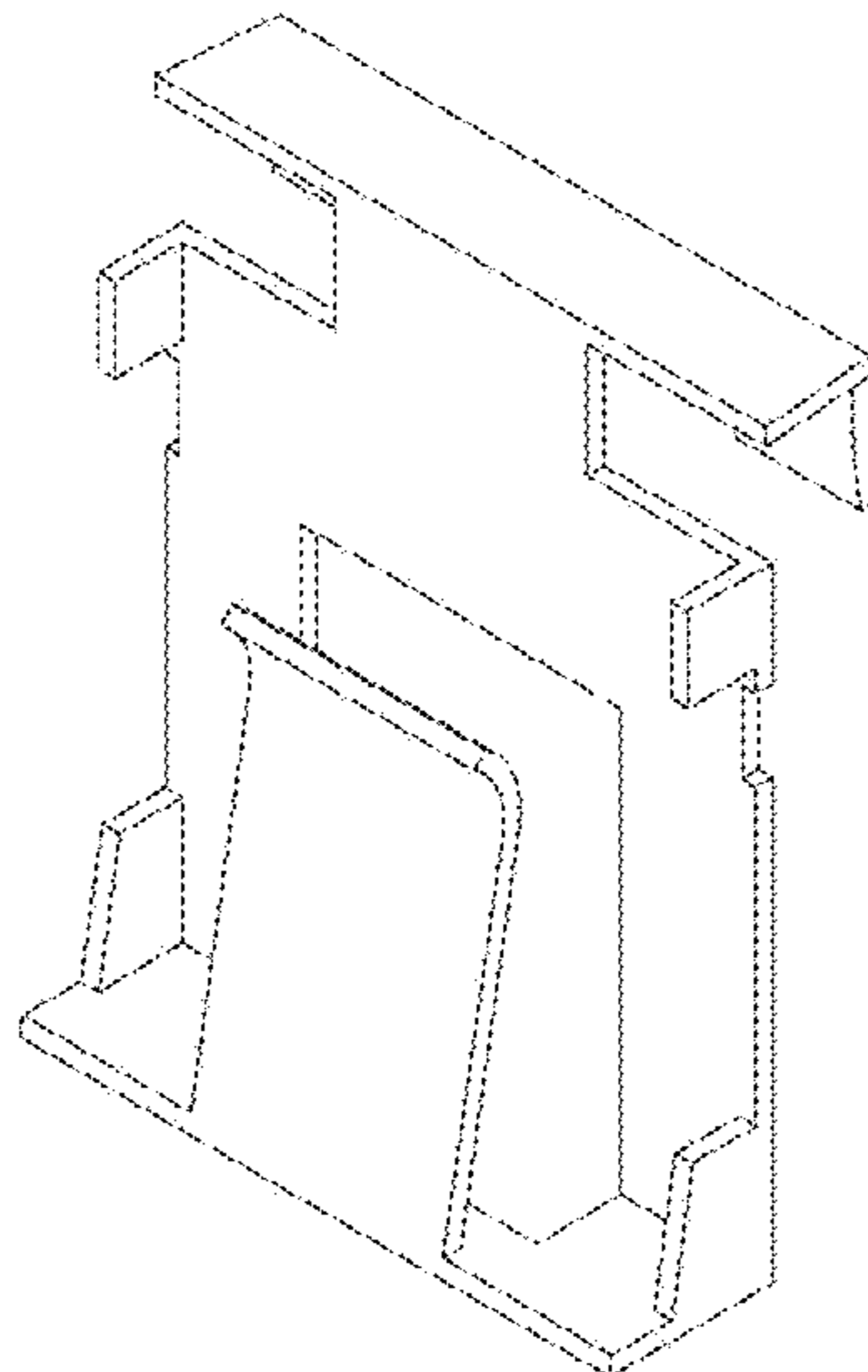
D308,784 S * 6/1990 Liptak D6/553

D769,644 S * 10/2016 Jacobson D6/553

2002/0135975 A1* 9/2002 Schmidt A47B 81/06

361/679.6

1 Claim, 5 Drawing Sheets



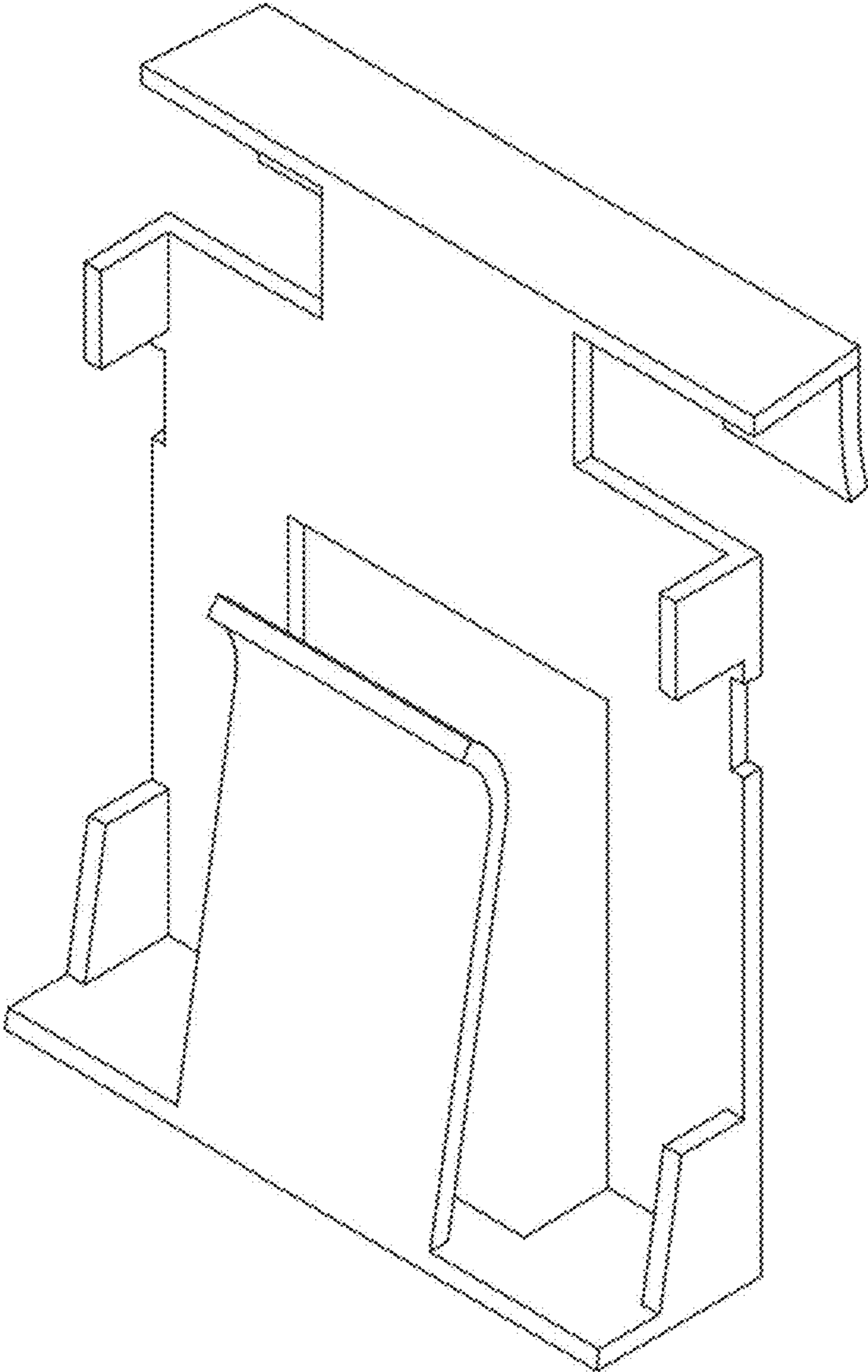


FIG. 1

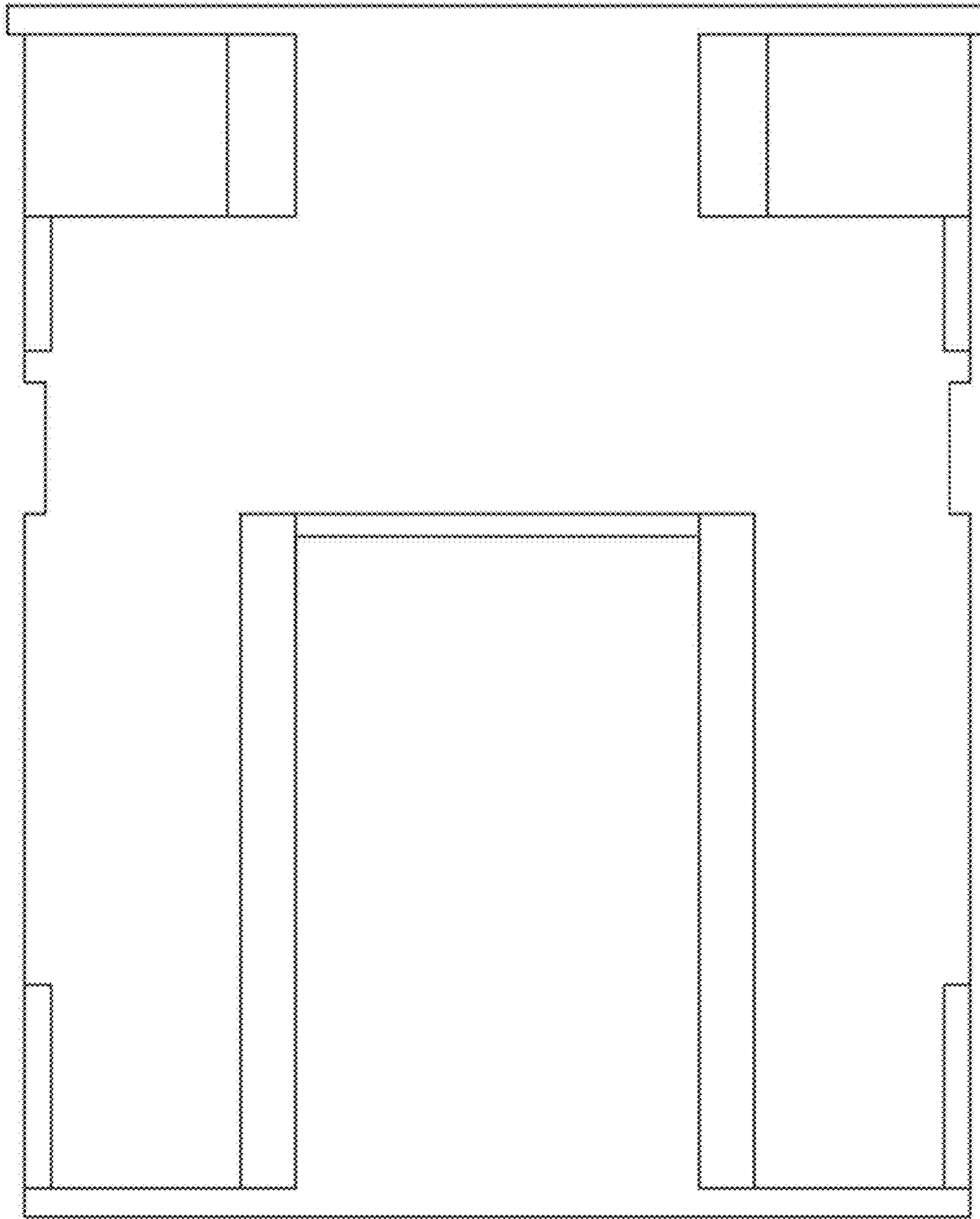


FIG. 2

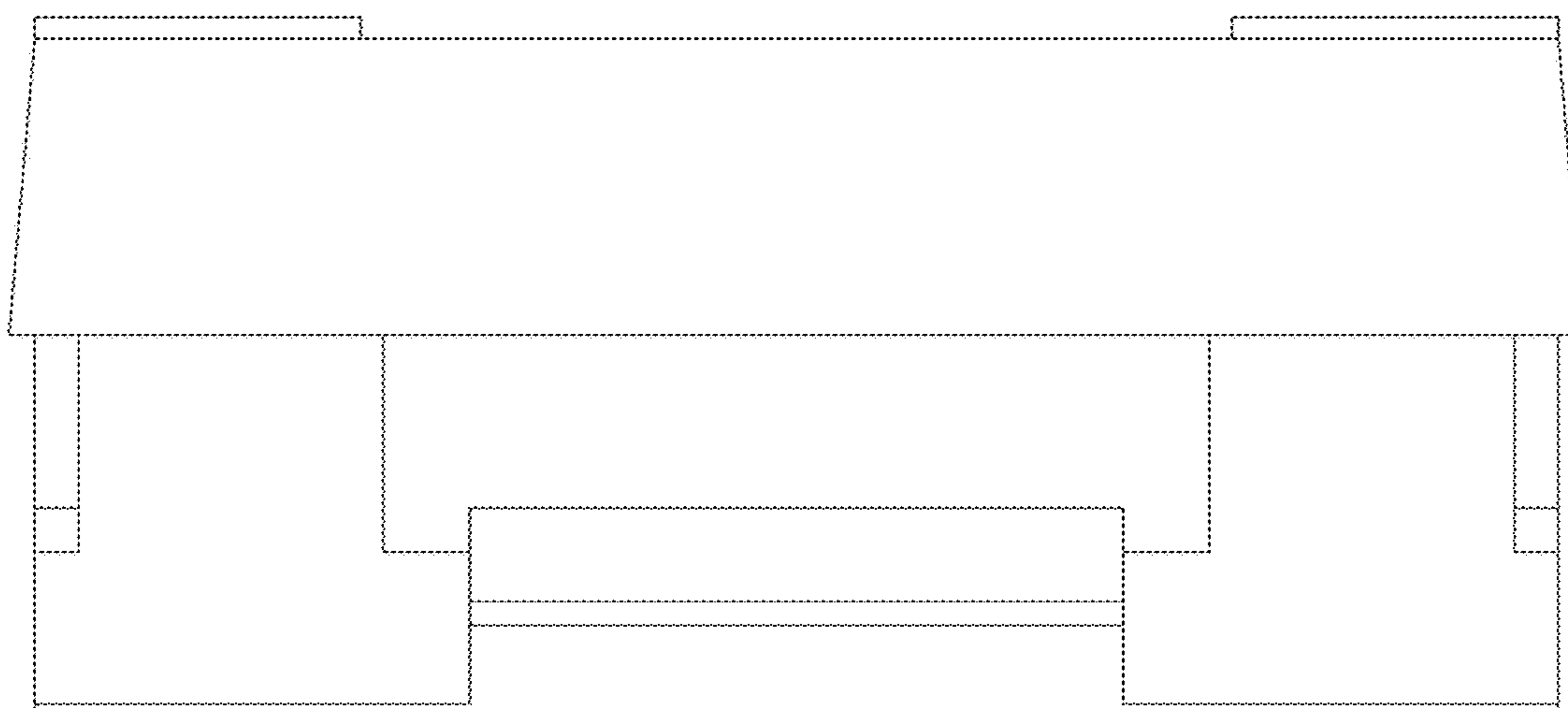


FIG. 3

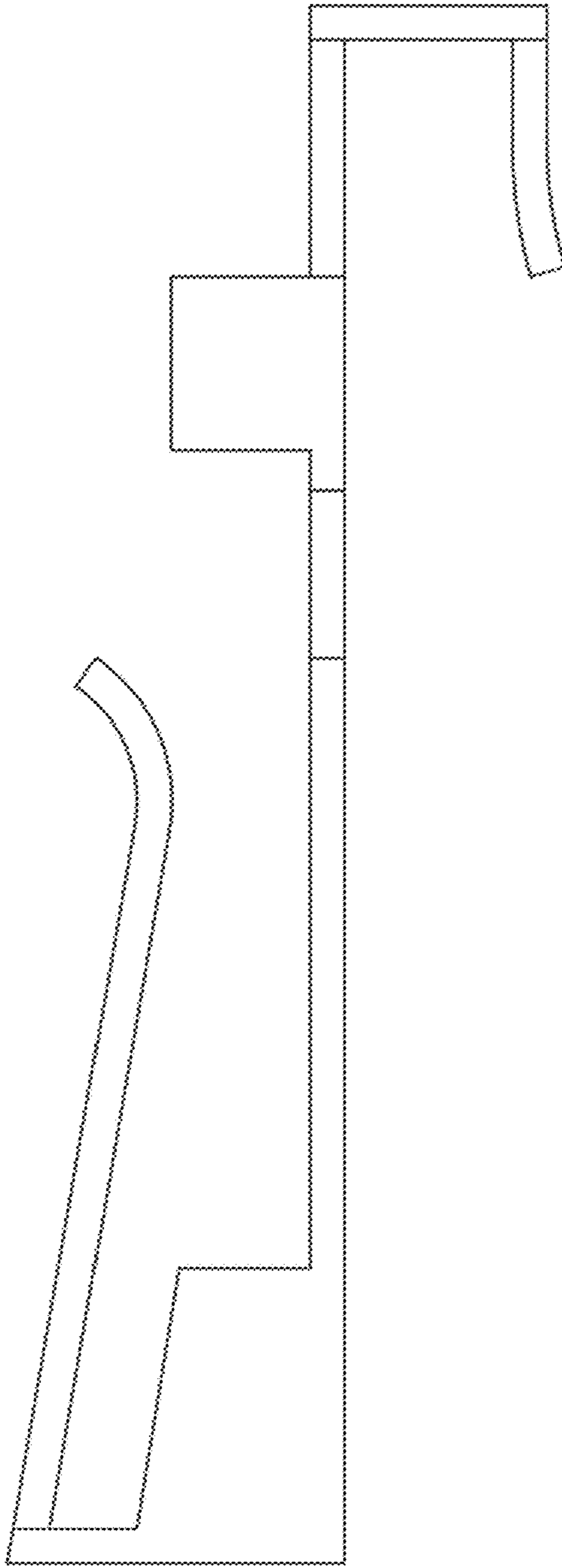


FIG. 4

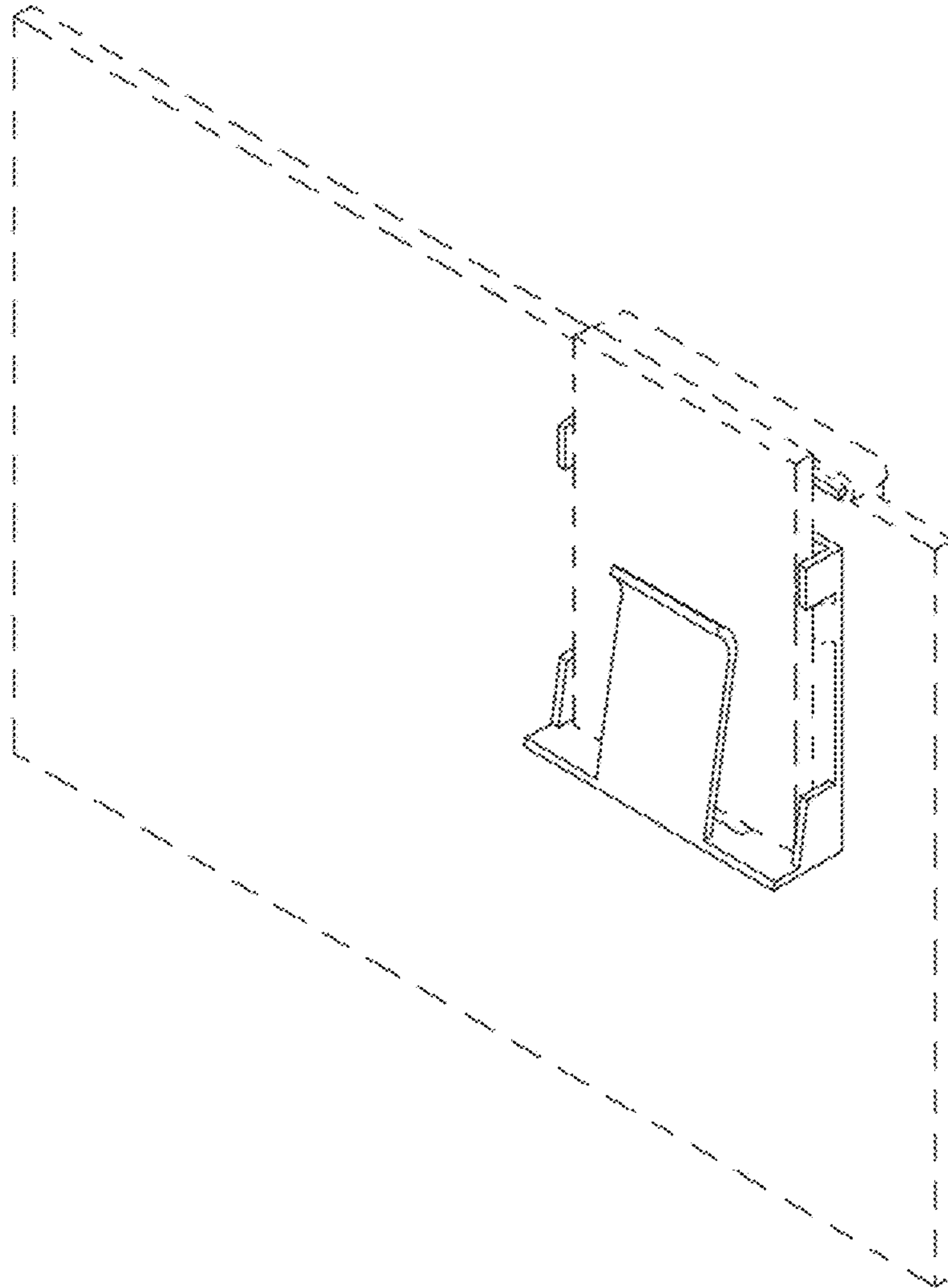


FIG. 5