



US00D855349S

(12) **United States Design Patent** (10) **Patent No.:** **US D855,349 S**  
**Chen** (45) **Date of Patent:** **\*\* Aug. 6, 2019**

(54) **STANDING SUPPORT OF ROTATABLE  
DISPLAYER**

(71) Applicant: **Shenzhen Shenghaina Technology Co.,  
Ltd., Shenzhen, Guangdong (CN)**

(72) Inventor: **Xiaowei Chen, Shenzhen (CN)**

(73) Assignee: **SHENZHEN SHENGHAINA  
TECHNOLOGY CO., LTD., Shenzhen  
(CN)**

(\*\*) Term: **15 Years**

(21) Appl. No.: **29/586,587**

(22) Filed: **Dec. 5, 2016**

(30) **Foreign Application Priority Data**

Aug. 31, 2016 (CN) ..... 2016 3 0459301

(51) **LOC (12) Cl.** ..... **06-04**

(52) **U.S. Cl.**  
USPC ..... **D6/553**

(58) **Field of Classification Search**  
USPC ..... D6/312, 419, 429, 406.2, 512, 513, 514,  
D6/553, 567; 248/441.1, 447, 448, 454,  
248/455, 457, 458, 446

CPC ..... A47B 23/02; A47B 23/04; F16B 2/065;  
F16M 13/00; F16M 11/041; F16M  
11/105; F16M 11/2014; F16M 11/28;  
F16M 13/022; Y10T 24/44974

See application file for complete search history.

(56) **References Cited**

**U.S. PATENT DOCUMENTS**

1,606,369 A \* 11/1926 Johnston ..... G09F 1/14  
248/457  
7,578,487 B2 \* 8/2009 Kaneda ..... A47B 19/002  
248/205.8

7,922,137 B2 \* 4/2011 Derry ..... A47B 21/0314  
248/178.1  
D653,066 S \* 1/2012 Henderson ..... D6/553  
D668,495 S \* 10/2012 Henderson ..... D6/553  
9,133,982 B1 \* 9/2015 Valdez ..... F16M 13/022  
9,797,544 B1 \* 10/2017 Smed ..... F16M 11/2085  
2006/0266903 A1 \* 11/2006 Oddsen, Jr. .... F16M 11/10  
248/274.1  
2008/0061210 A1 \* 3/2008 Carnevali ..... A47B 23/004  
248/447  
2008/0149790 A1 \* 6/2008 Wang ..... B60R 11/00  
248/205.2  
2014/0091193 A1 \* 4/2014 Simon ..... A47B 23/02  
248/451  
2014/0117182 A1 \* 5/2014 Blackburn ..... F16M 11/18  
248/298.1  
2016/0095236 A1 \* 3/2016 Zhou ..... F16M 11/041  
248/447.2

\* cited by examiner

*Primary Examiner* — David G Muller

*Assistant Examiner* — Nathan M Johnston

(74) *Attorney, Agent, or Firm* — Loza & Loza, LLP;  
Michael F. Fedrick

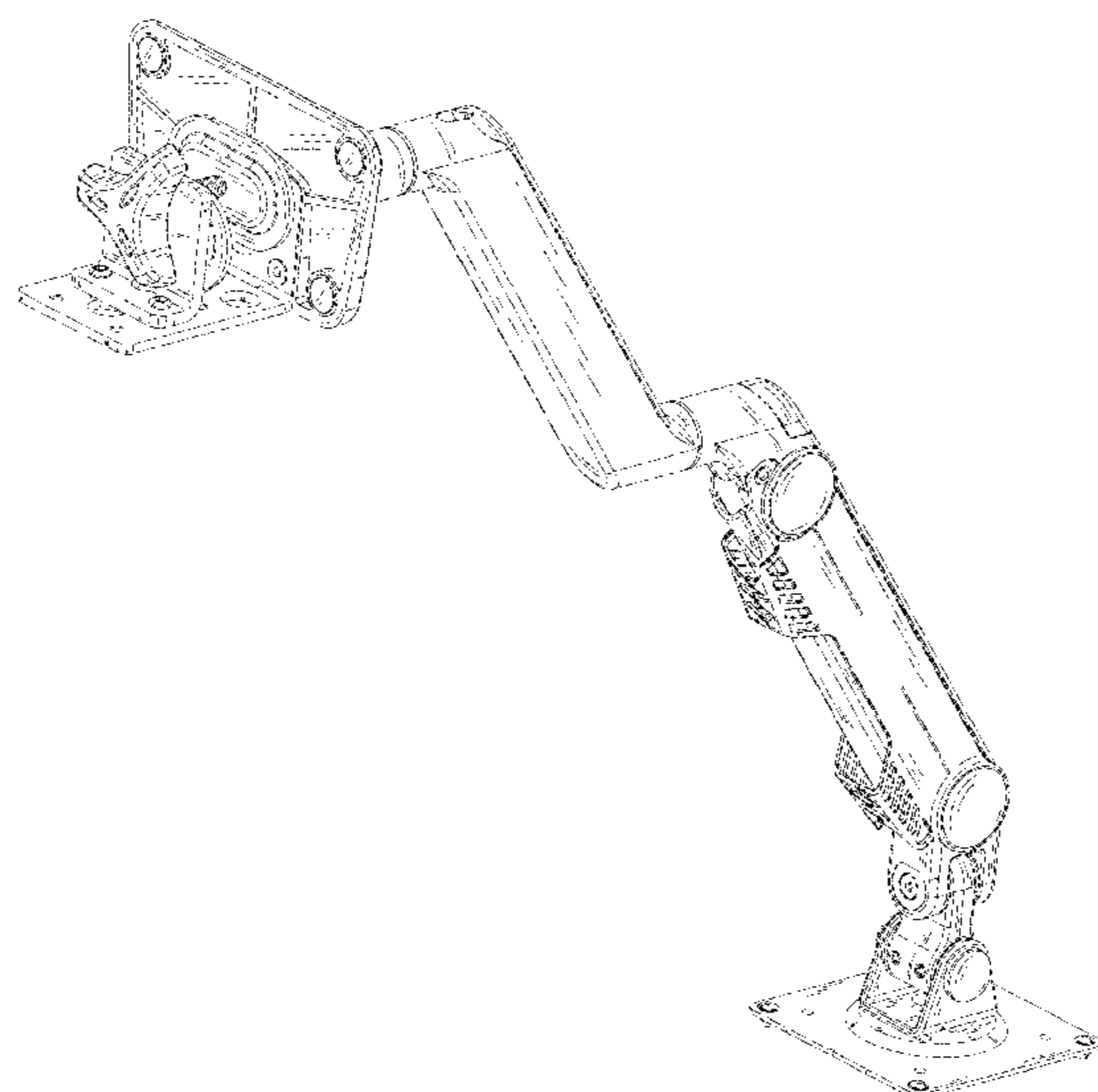
(57) **CLAIM**

The ornamental design for a standing support of a rotatable  
displayer, as shown and described.

**DESCRIPTION**

FIG. 1 is a perspective view of the standing support of a  
rotatable displayer showing my new design;  
FIG. 2 is a front elevation view thereof;  
FIG. 3 is a rear elevation view thereof;  
FIG. 4 is a left side elevation view thereof;  
FIG. 5 is a right side elevation view thereof;  
FIG. 6 is a top plan view thereof; and,  
FIG. 7 is a bottom plan view thereof.  
The broken lines show portions of the design that form no  
part of the claimed design.

**1 Claim, 7 Drawing Sheets**



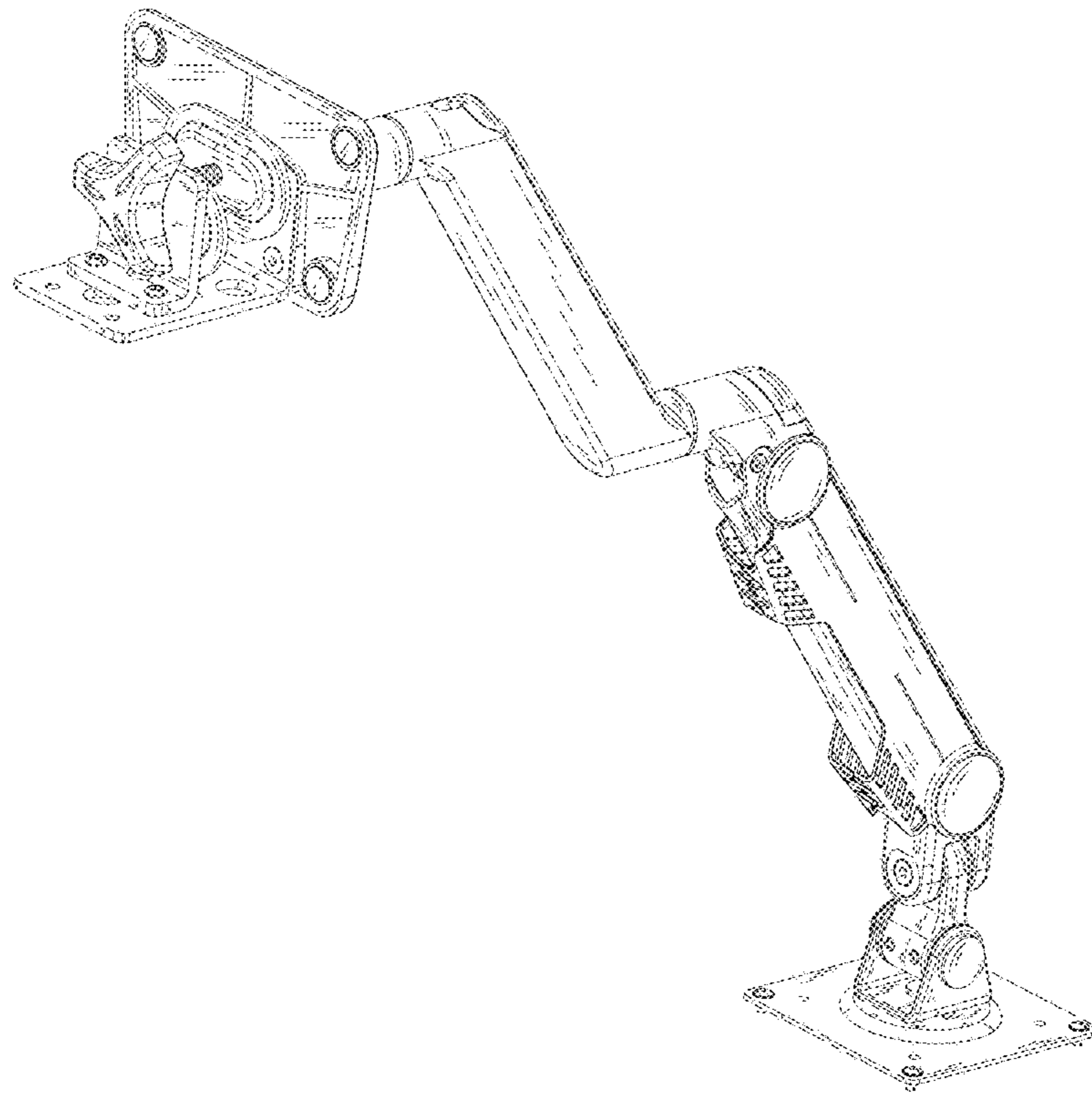


FIG.1

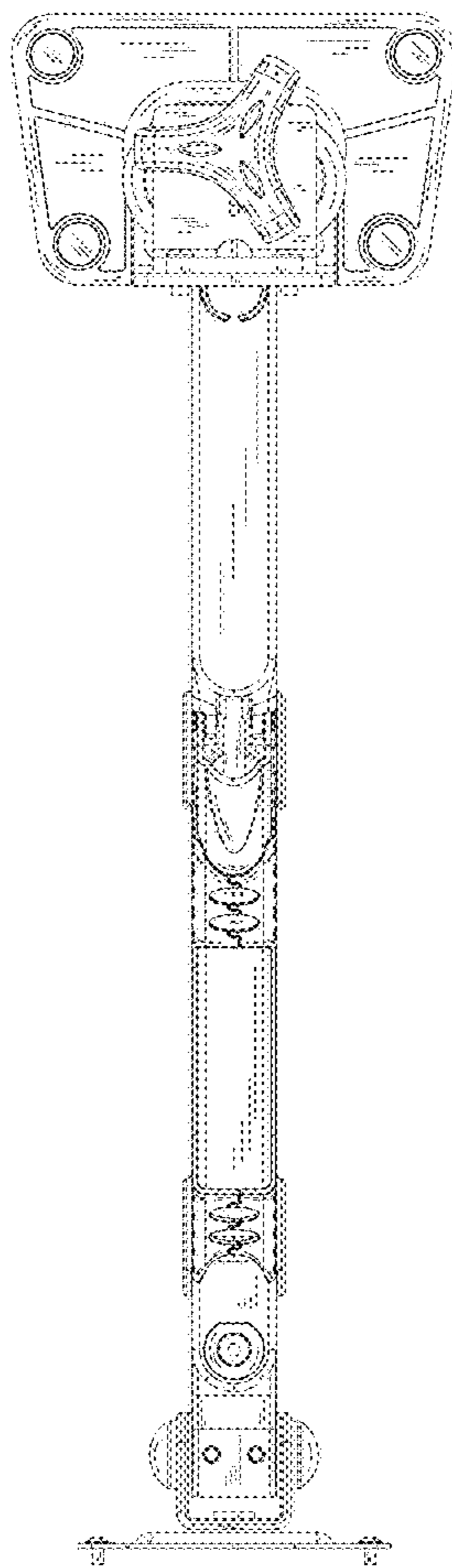


FIG.2

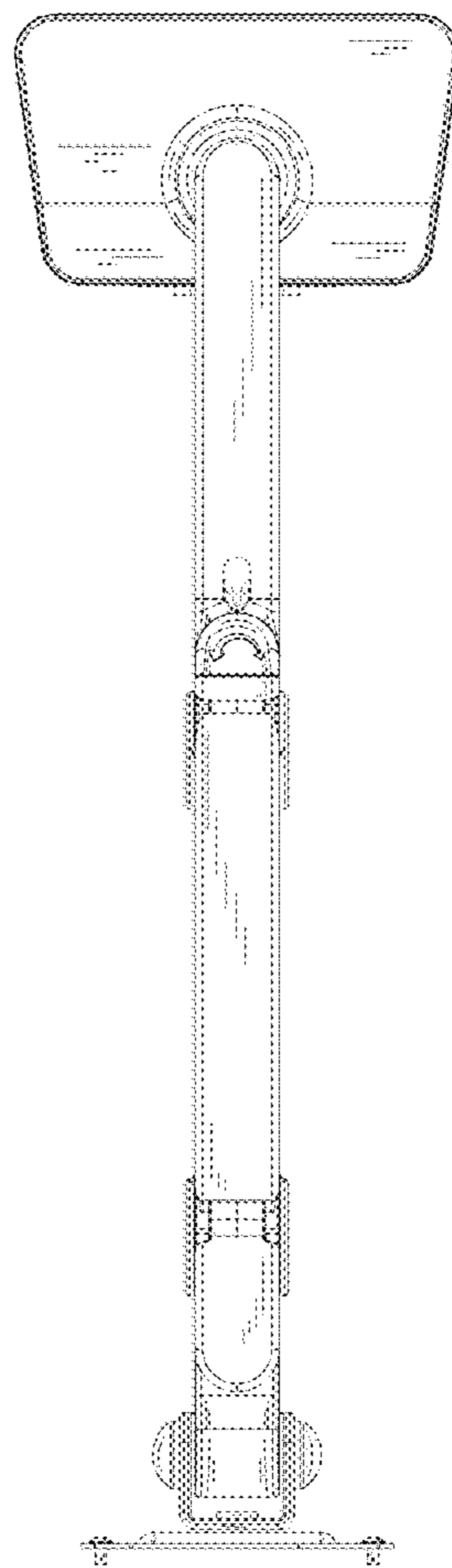


FIG.3

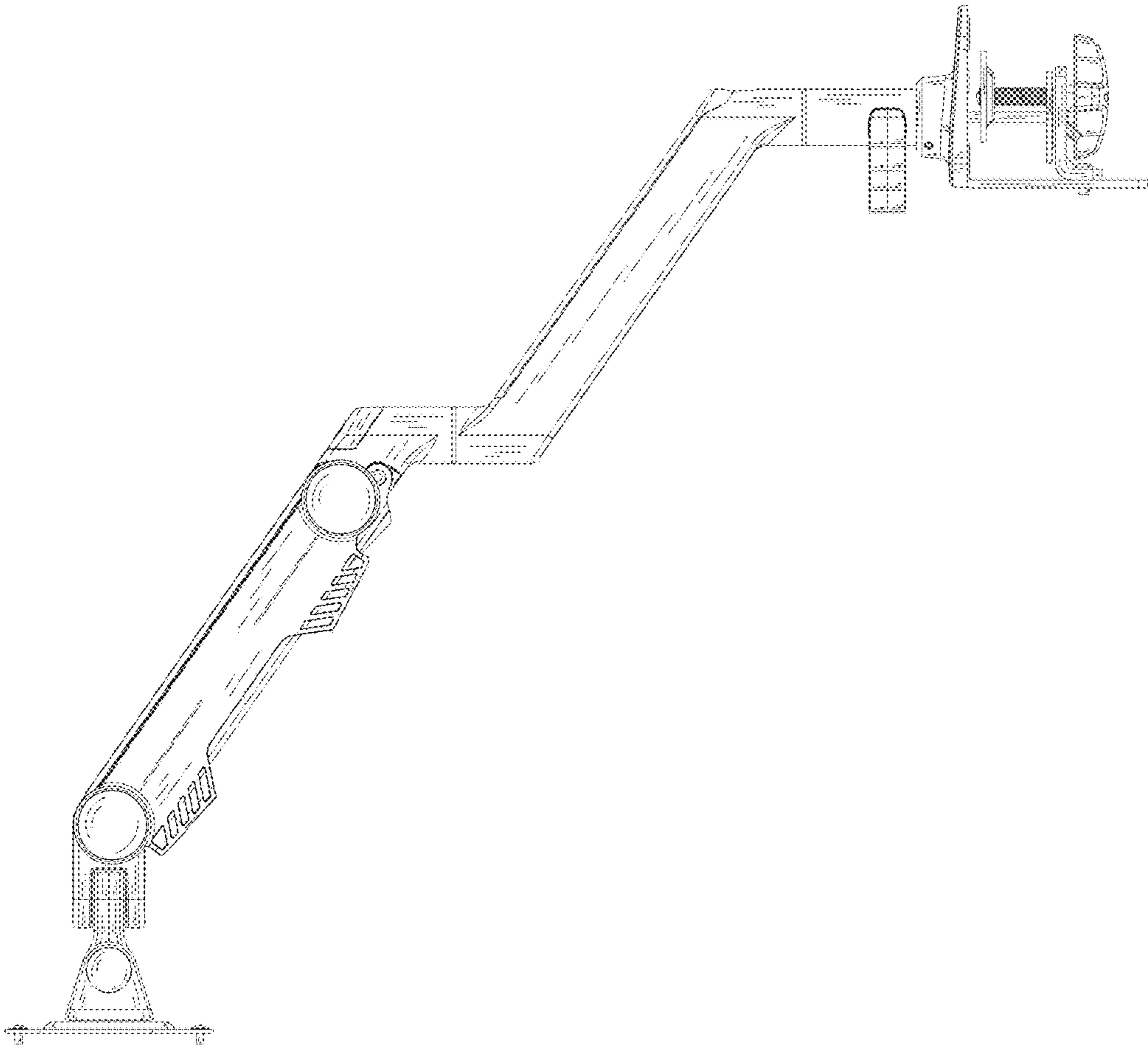


FIG.4

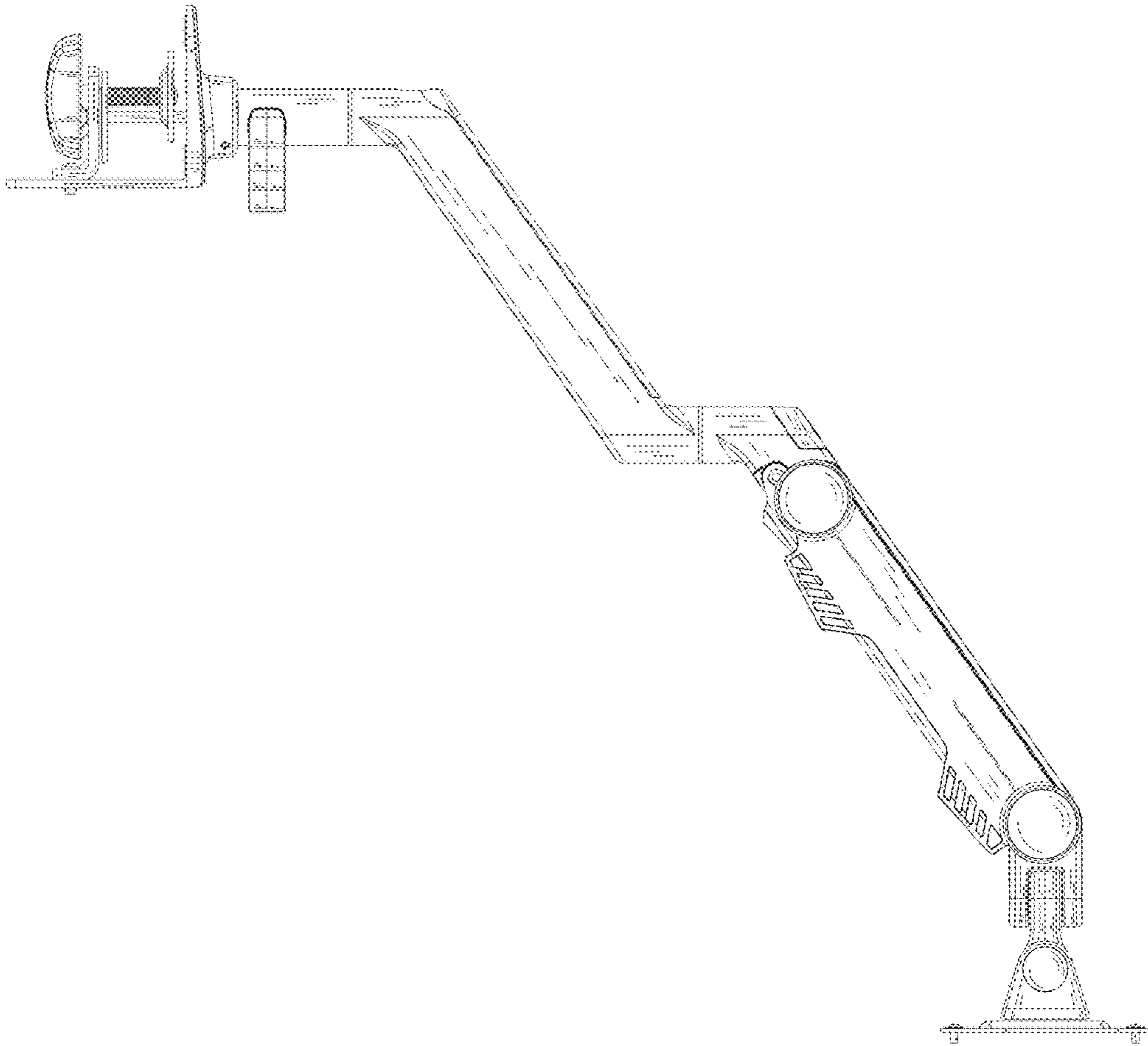


FIG.5

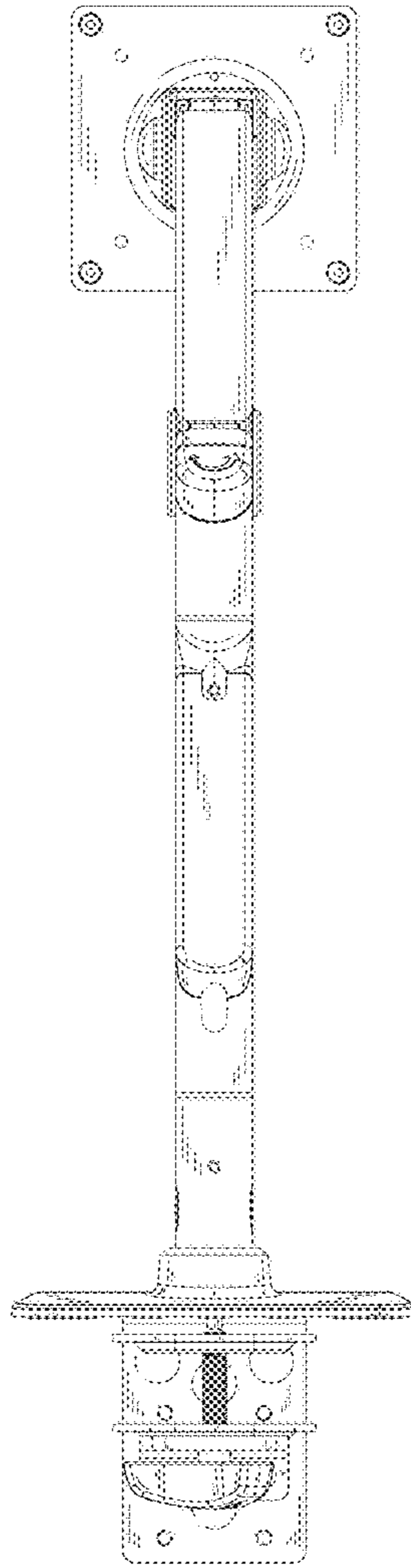


FIG.6

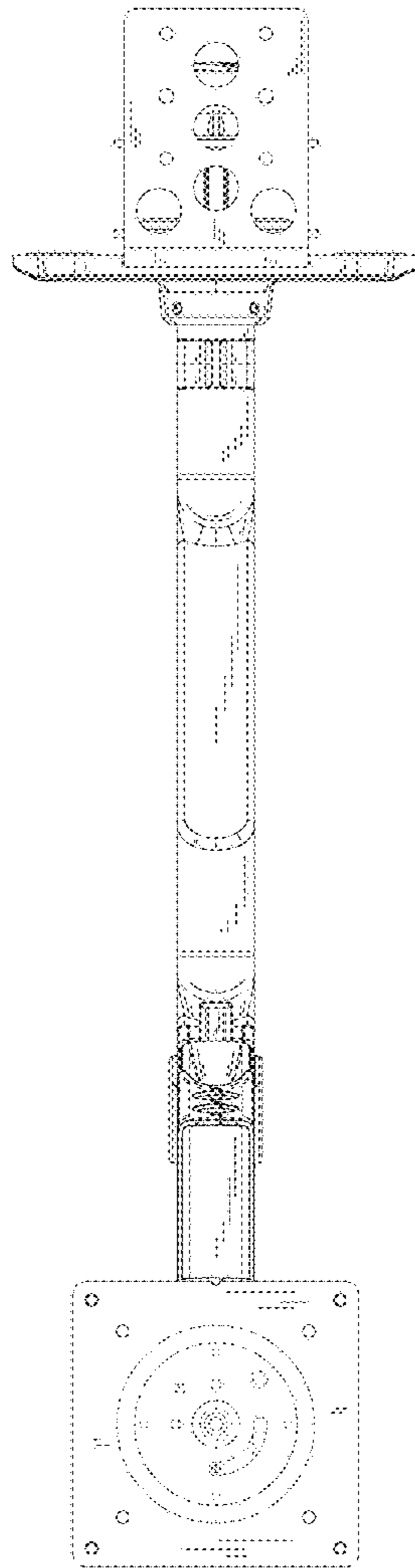


FIG.7