



US00D855347S

(12) **United States Design Patent**
Mizrahi

(10) **Patent No.:** **US D855,347 S**

(45) **Date of Patent:** **** Aug. 6, 2019**

(54) **BATHTUB CADDY AND LAPTOP BED DESK**

(71) Applicant: **Miri Mizrahi**, Kfar Sirkin (IL)

(72) Inventor: **Miri Mizrahi**, Kfar Sirkin (IL)

(**) Term: **15 Years**

(21) Appl. No.: **29/639,107**

(22) Filed: **Mar. 4, 2018**

(51) **LOC (12) Cl.** **23-02**

(52) **U.S. Cl.**
USPC **D6/525; D6/406.3**

(58) **Field of Classification Search**
USPC ... D6/525, 524, 406.1–406.6, 421, 422, 429,
D6/426, 440, 451, 489, 510, 511;
211/42, 126.6, 149; 248/441 B, 441 D,
248/444, 451, 452, 454, 455, 456;
108/42, 43, 49, 152, 115, 157.1, 157.13;
D19/90, 91; D12/133; 4/559, 565.1,
4/570, 577.1, 579, 605, 611; D23/303,
D23/304; D7/552.1, 552.2, 554.1, 554.2,
D7/554.3, 554.4, 550.1, 566; 434/432
CPC A47K 3/004; A47K 3/001; A47K 3/122;
A47B 23/00; A63H 33/3038
See application file for complete search history.

(56) **References Cited**

U.S. PATENT DOCUMENTS

- 1,401,458 A * 12/1921 Boon A47B 27/02
248/447.1
- 2,556,261 A * 6/1951 Dubach A47B 23/001
108/129
- 3,239,850 A * 3/1966 Kiss A47K 3/004
248/447.1
- 3,305,205 A * 2/1967 Frankl A47G 1/141
206/45.2
- 3,475,052 A * 10/1969 Kaposi A47B 23/02
248/456
- 3,669,227 A * 6/1972 Alford A47B 97/08
190/11
- D246,403 S * 11/1977 Tempchin 4/559

- D249,533 S * 9/1978 Cudahy, III D19/113
- 4,119,289 A * 10/1978 Kanocz A47B 23/00
248/166
- D250,439 S * 12/1978 Holstein D6/525

(Continued)

Primary Examiner — David G Muller

Assistant Examiner — Nathan M Johnston

(74) *Attorney, Agent, or Firm* — The Roy Gross Law Firm, LLC; Roy Gross

(57) **CLAIM**

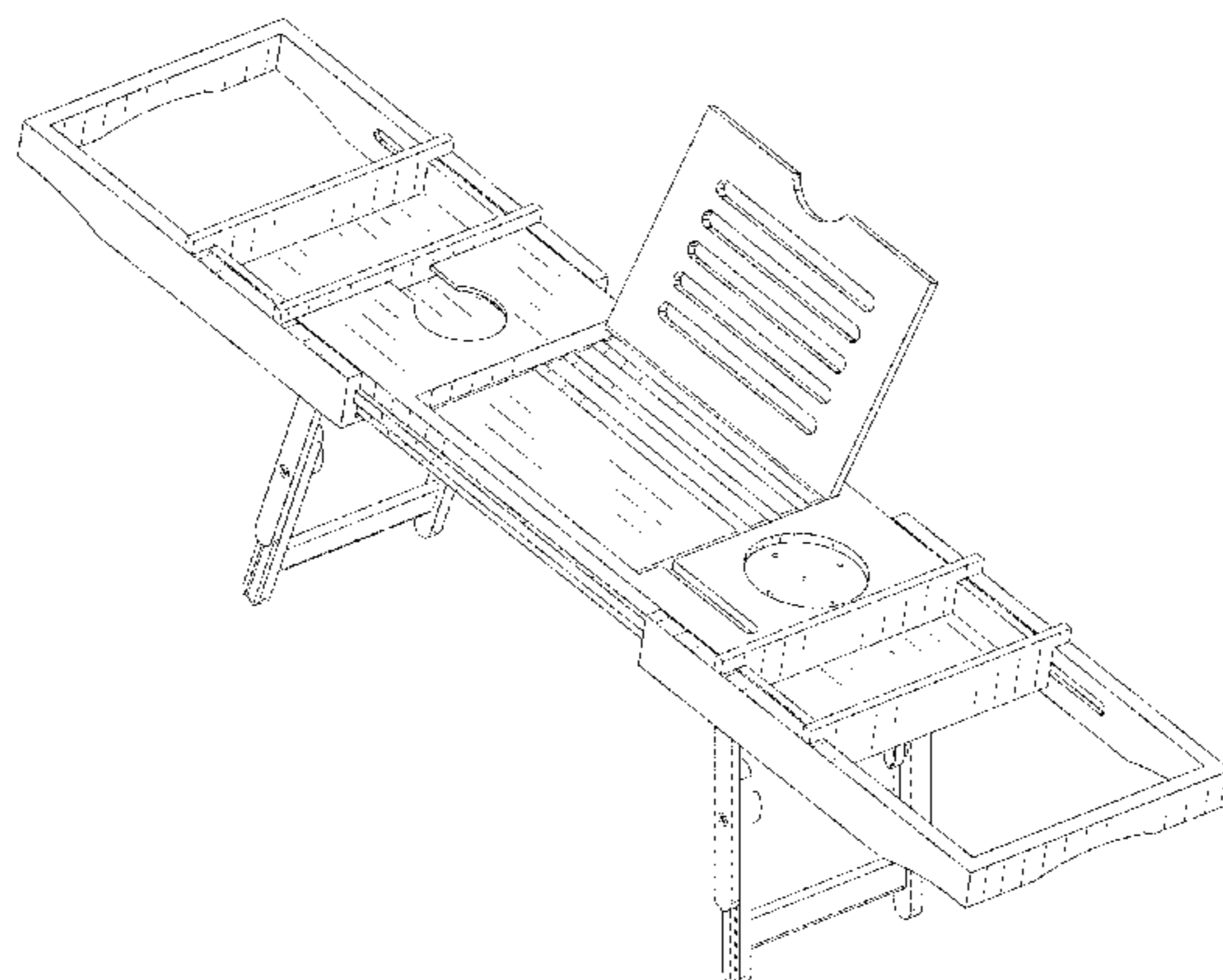
The ornamental design for bathtub caddy and laptop bed desk, as shown and described.

DESCRIPTION

FIG. 1 is a perspective view of bathtub caddy and laptop bed desk showing my new design in an open position; FIG. 2 is a front elevation view thereof; FIG. 3 is a top plan view thereof; FIG. 4 is a bottom plan view thereof; FIG. 5 is a right side elevation thereof; FIG. 6 is a left side elevation thereof; FIG. 7 is a rear elevation view thereof; FIG. 8 is a perspective view of the bathtub caddy and laptop bed desk in a closed position; FIG. 9 is a front elevation view thereof; FIG. 10 is a top elevation view thereof; FIG. 11 is a bottom plan view thereof; FIG. 12 is a right side elevation view thereof; FIG. 13 is a left side elevation view thereof; and, FIG. 14 is a rear elevation view thereof.

The broken line showing of parts of the drawings is included for the purpose of illustrating use and environment and forms no part of the claimed design. The dash lines immediately adjacent to the claimed areas in the views represent the boundaries of the claimed design. None of the broken lines form any part of the claimed design.

1 Claim, 14 Drawing Sheets



(56)

References Cited

U.S. PATENT DOCUMENTS

D351,461 S * 10/1994 Wannamaker D23/304
5,669,313 A * 9/1997 Cottingham A47K 3/004
108/42
D407,247 S * 3/1999 Brezney D6/675
6,044,758 A * 4/2000 Drake A47B 23/001
100/43
6,193,078 B1 * 2/2001 Stuhlmacher B25H 1/0014
211/20
6,496,360 B1 * 12/2002 Cordes A47B 23/002
108/43
D492,133 S * 6/2004 Richter D19/91
D545,601 S * 7/2007 Yang D6/525
7,516,704 B2 * 4/2009 Snider B25H 1/04
108/25
8,205,561 B1 * 6/2012 Bierworth A47C 7/70
108/157.11
8,322,292 B2 * 12/2012 Chen A47B 23/043
108/43
D813,565 S * 3/2018 Greenspon D6/525
2010/0044543 A1 * 2/2010 Ramey, III A47B 21/045
248/449
2011/0297056 A1 * 12/2011 Martin A47B 3/06
108/152
2014/0158023 A1 * 6/2014 Roy A47B 3/08
108/25
2015/0083027 A1 * 3/2015 Martin A47B 9/18
108/1

* cited by examiner

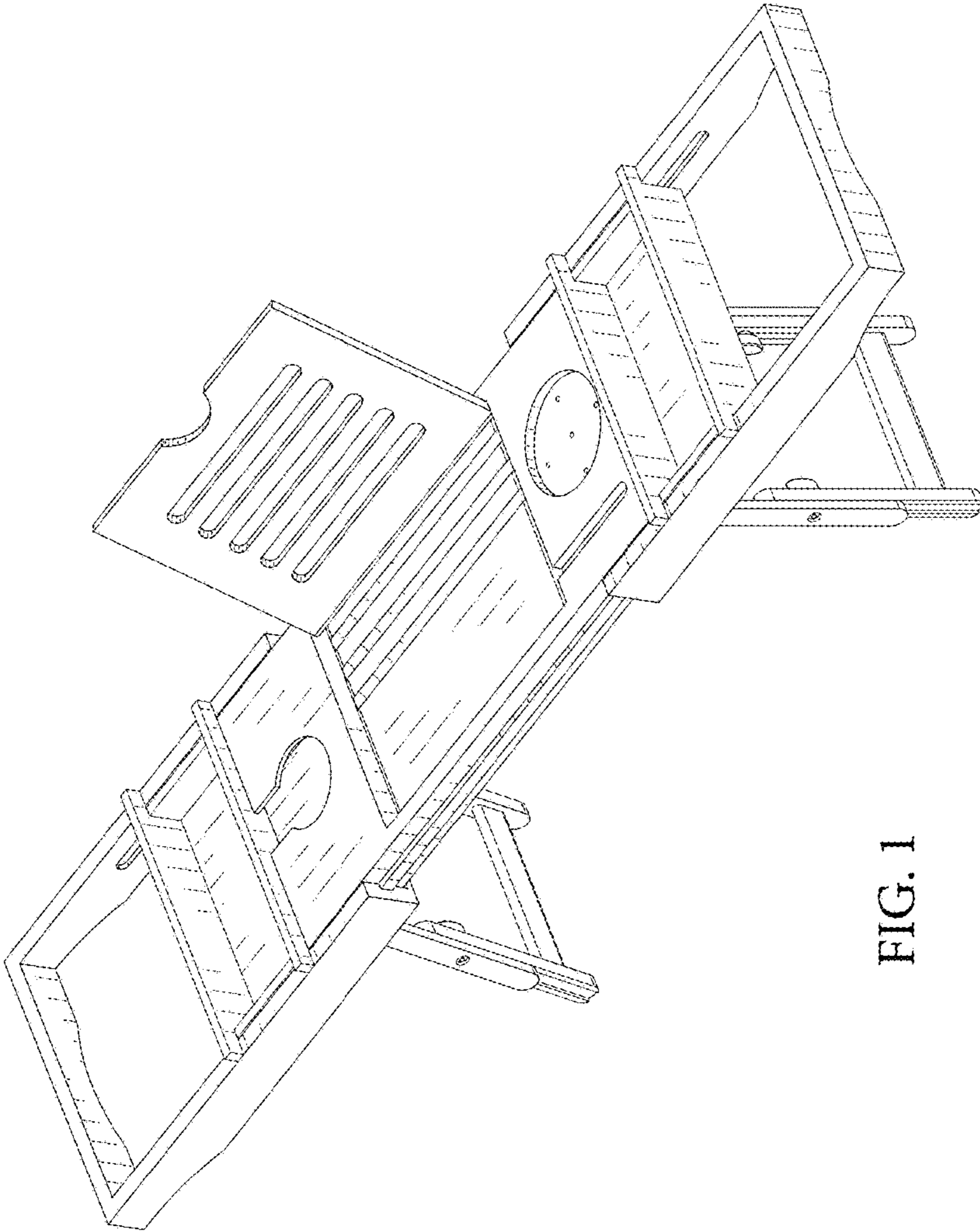


FIG. 1

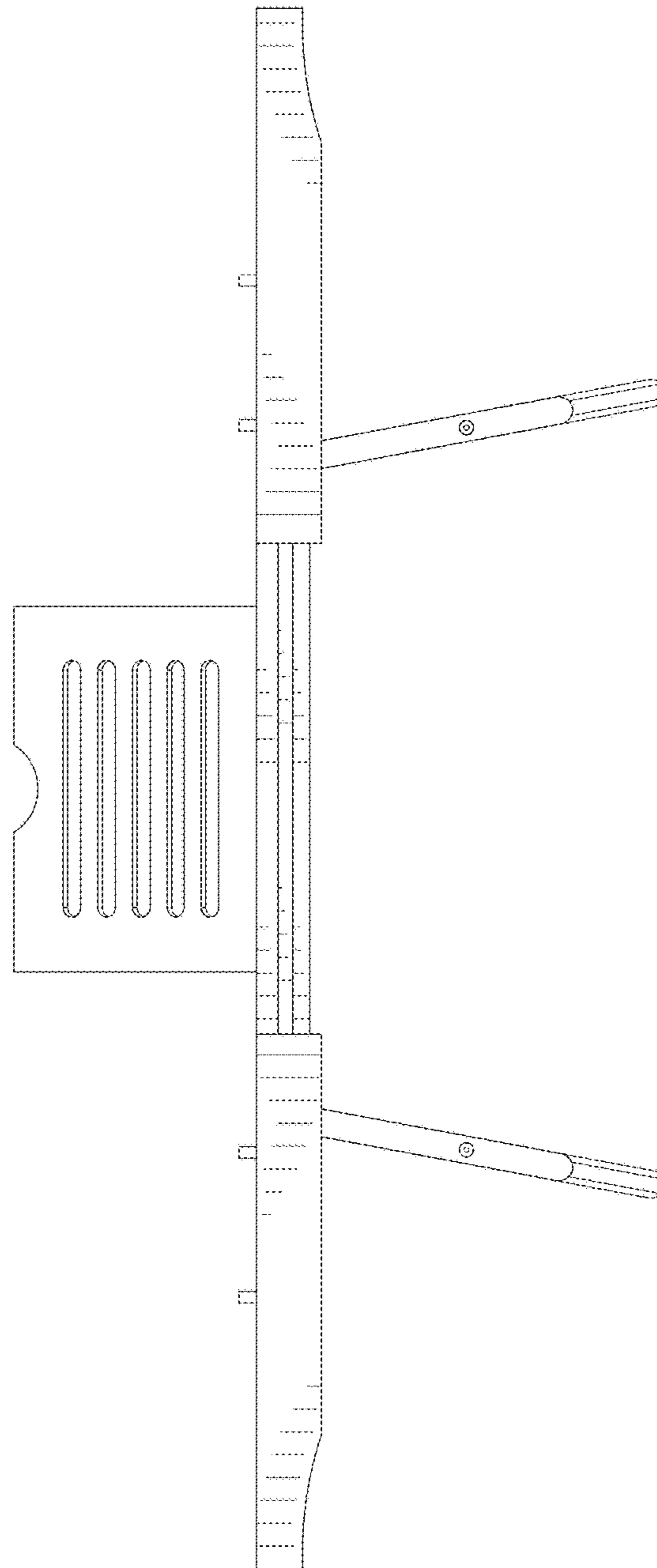


FIG. 2

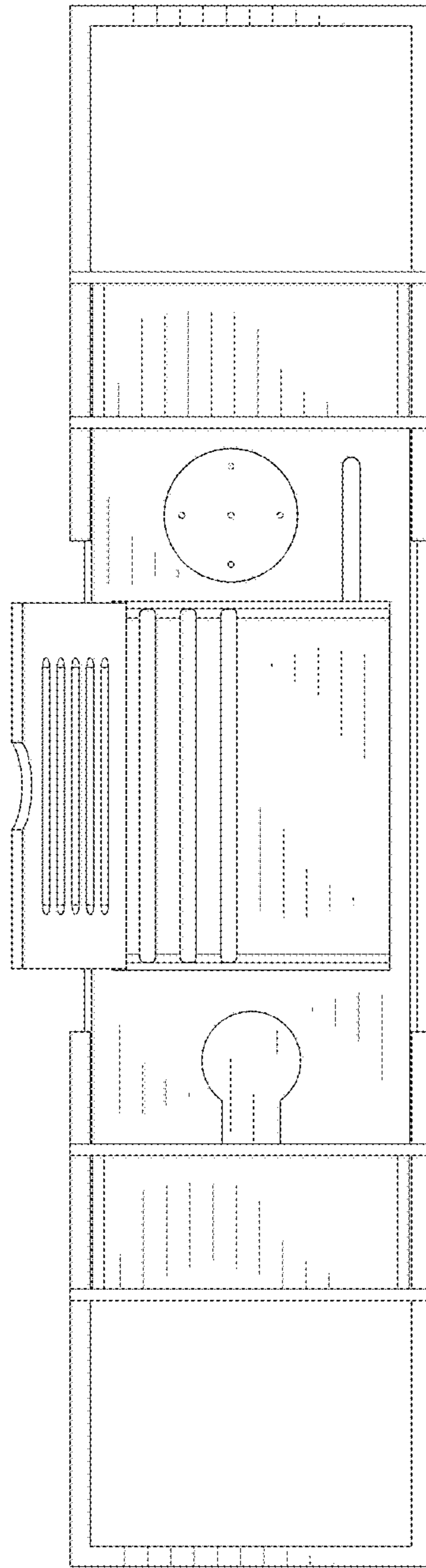


FIG. 3

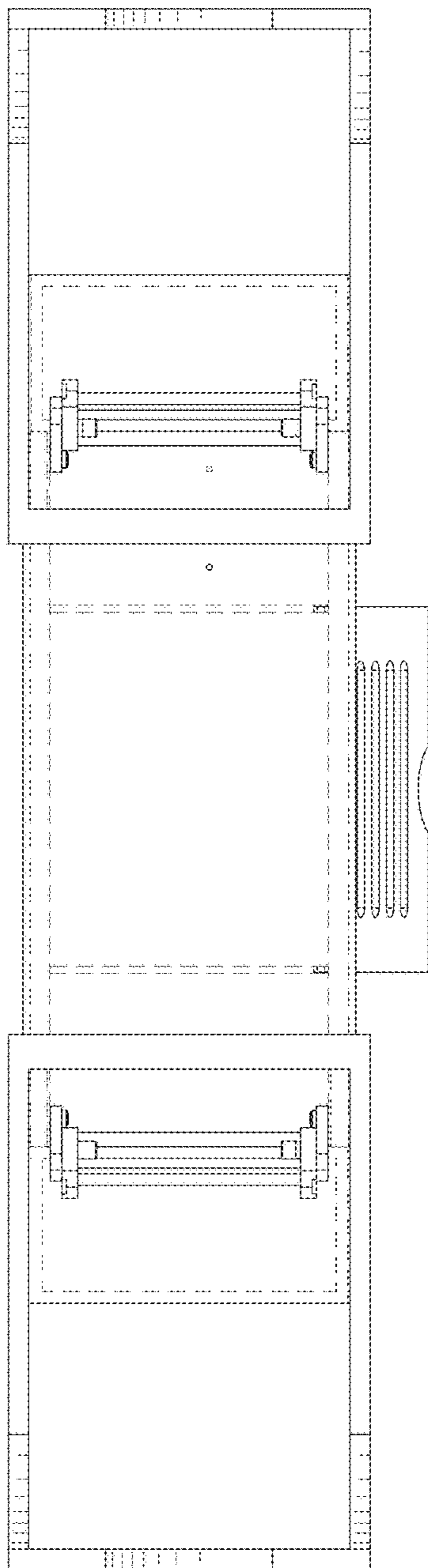


FIG. 4

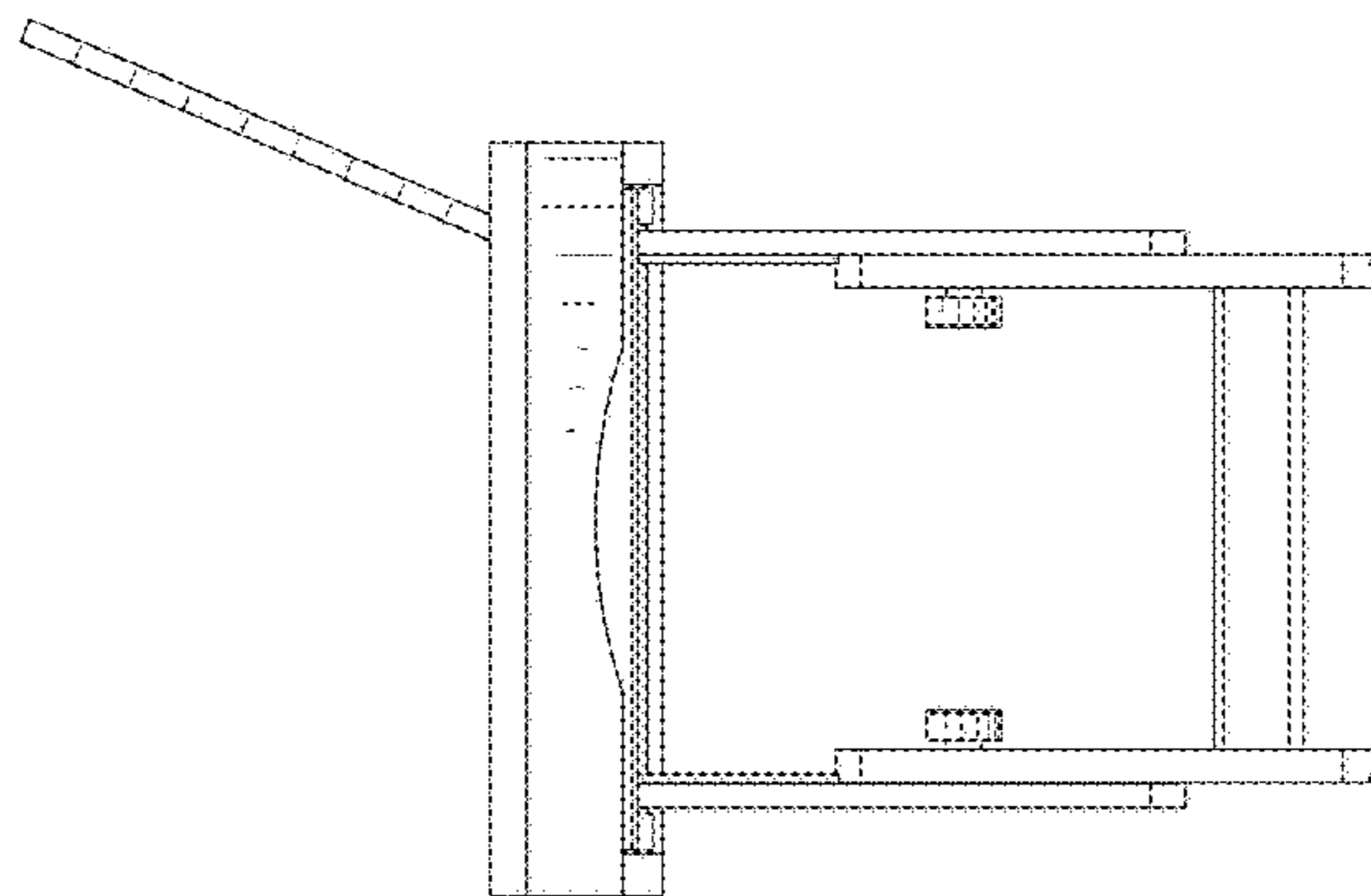


FIG. 5

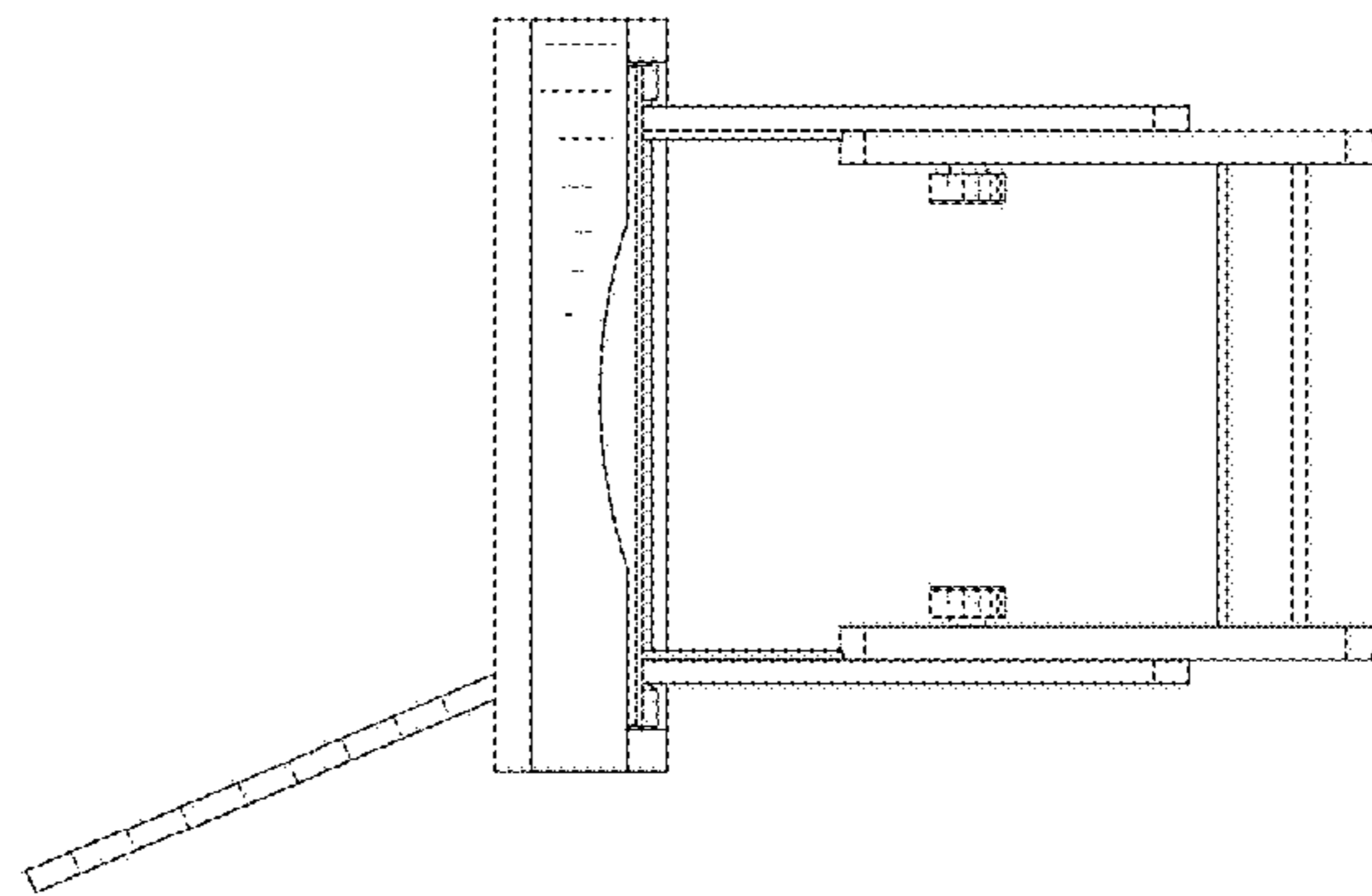


FIG. 6

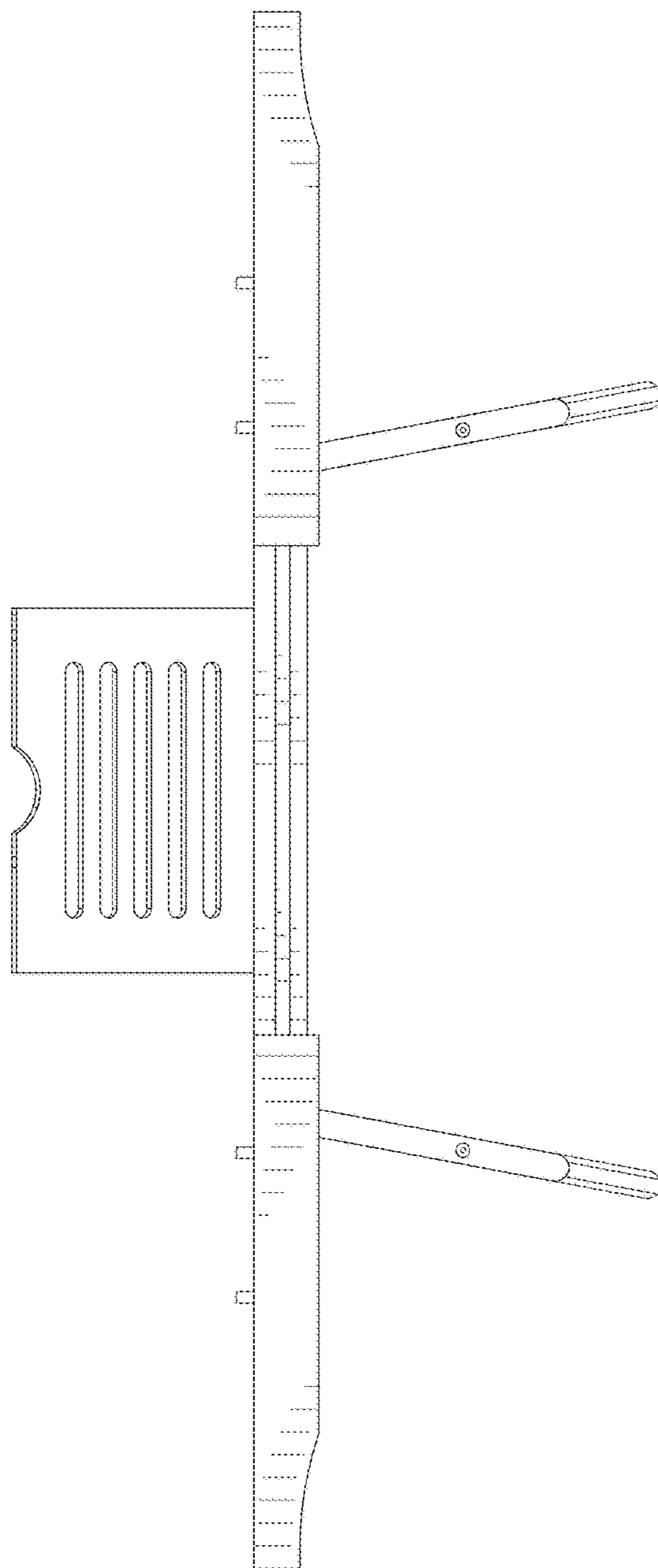


FIG. 7

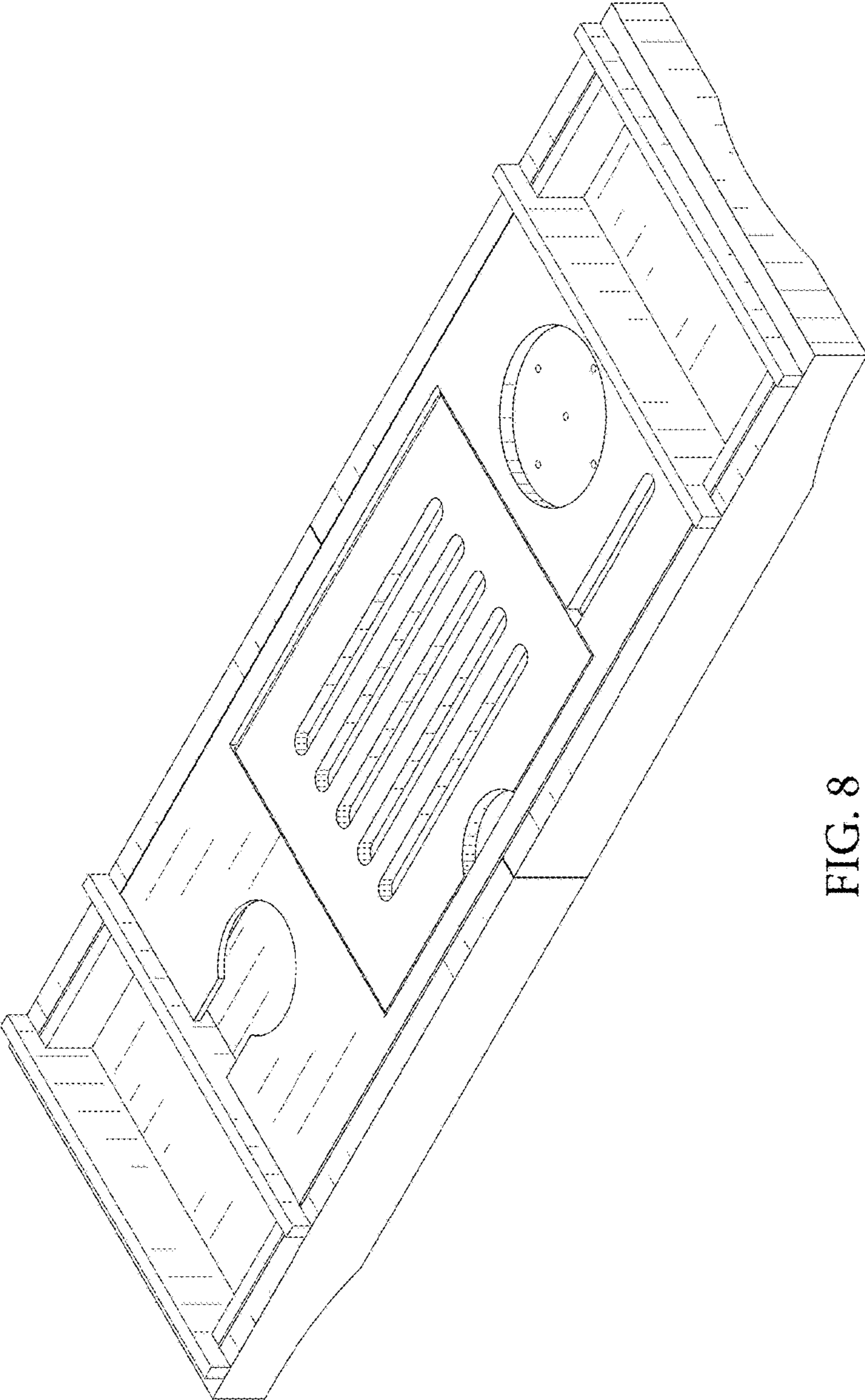


FIG. 8

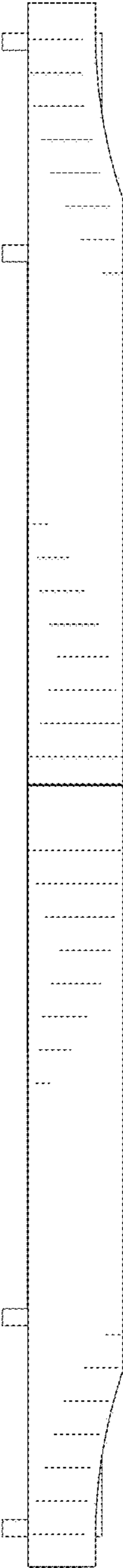


FIG. 9

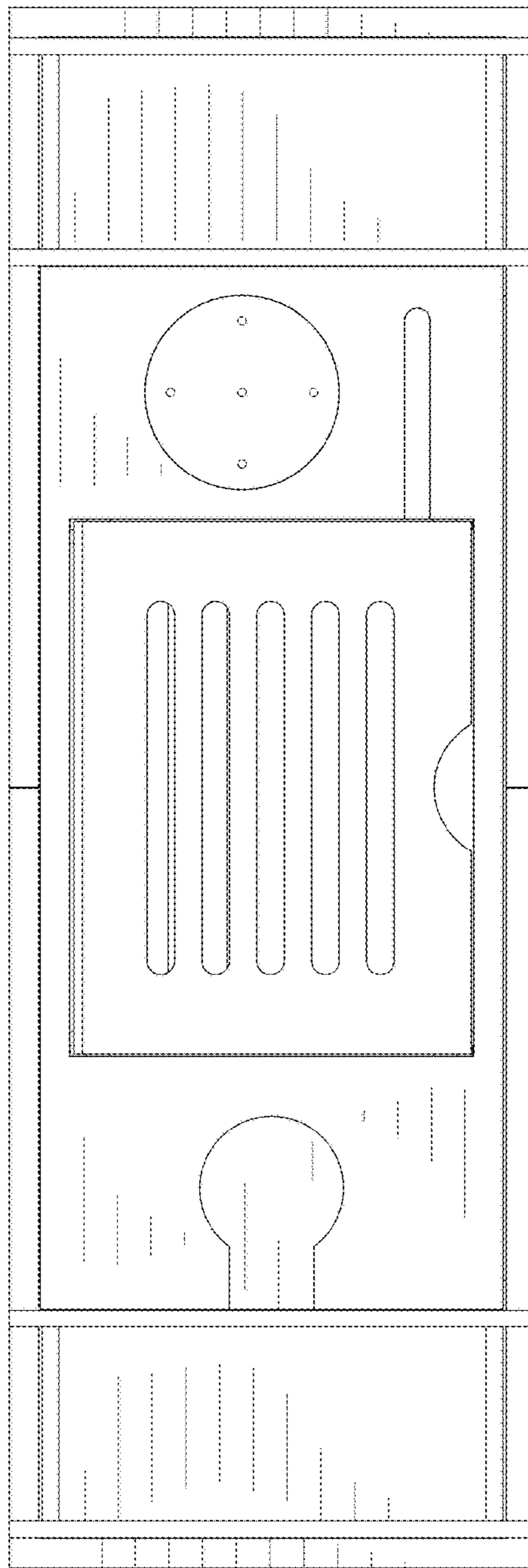


FIG. 10

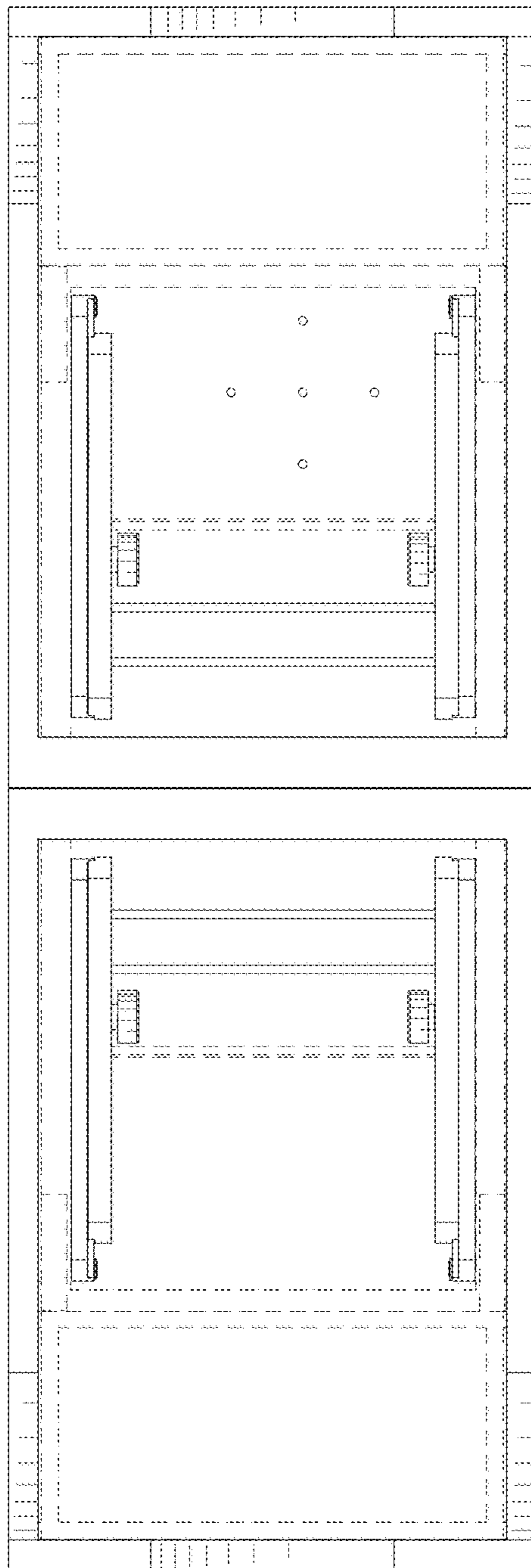


FIG. 11

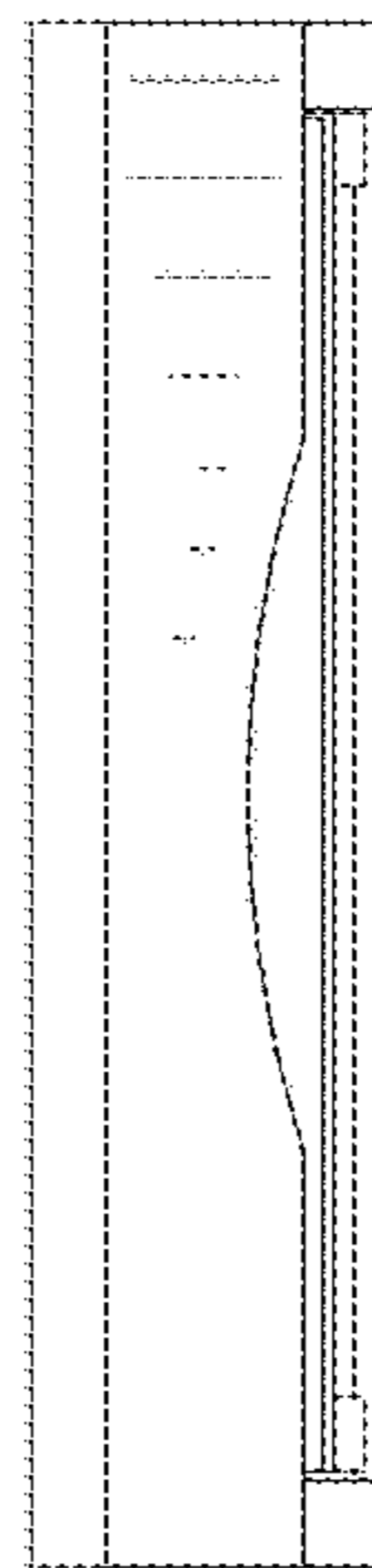


FIG. 12

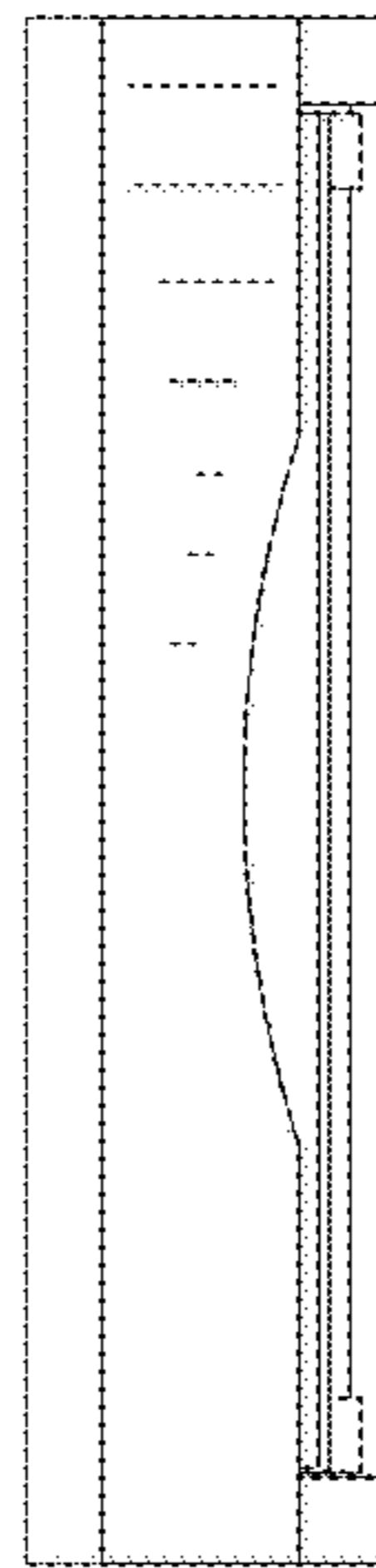


FIG. 13

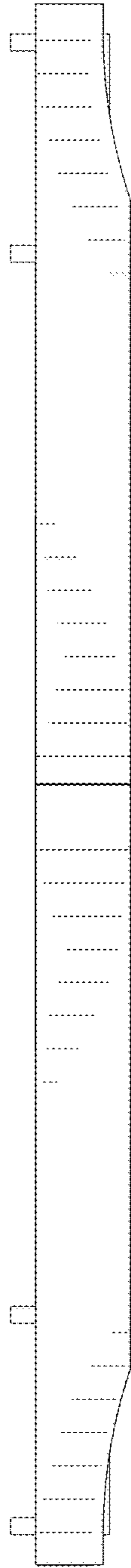


FIG. 14