



US00D855346S

(12) **United States Design Patent** (10) **Patent No.:** **US D855,346 S**
Lee (45) **Date of Patent:** **** Aug. 6, 2019**

(54) **DAYBED**

(71) Applicant: **Zinus Inc.**, San Leandro, CA (US)
(72) Inventor: **Youn Jae Lee**, Pleasanton, CA (US)
(73) Assignee: **Zinus Inc.**, Tracy, CA (US)
(**) Term: **15 Years**

(21) Appl. No.: **29/631,446**

(22) Filed: **Dec. 29, 2017**

(30) **Foreign Application Priority Data**

Dec. 28, 2017 (CN) 2017 3 0679126

(51) **LOC (12) Cl.** **06-02**

(52) **U.S. Cl.**
USPC **D6/393**

(58) **Field of Classification Search**
USPC D6/382-384, 393-395, 718, 718.13,
D6/718.21, 718.25; D30/118; D21/520
CPC A47C 19/00; A47C 19/005; A47C 19/021;
A47C 19/022; A47C 19/025; A47C 19/12
See application file for complete search history.

(56) **References Cited**

U.S. PATENT DOCUMENTS

D92,898 S *	7/1934	Geddes et al.	D6/395
D93,440 S *	10/1934	Geddes et al.	D6/393
2,666,213 A *	1/1954	Bash	A47C 19/005 297/354.12
D256,527 S *	8/1980	Guetat	D6/384
D301,411 S *	6/1989	Schlapp	D6/393
D488,317 S *	4/2004	Wanek	D6/393
D520,774 S *	5/2006	Boudreau	D6/393
D521,767 S *	5/2006	Boudreau	D6/393
D546,578 S *	7/2007	Juneau	D6/393

OTHER PUBLICATIONS

Zinus Ironline Metal and Wood Platform Bed, amazon.com, review date of Sep. 25, 2017, site visited Oct. 16, 2018, available online at https://www.amazon.com/Zinus-Ironline-Platform-Headboard-Footboard/dp/B075FBJXZ7/ref=cm_cr_arp_d_pdt_img_top?ie=UTF8 (Year: 2017).*

* cited by examiner

Primary Examiner — Cathron C Brooks

(74) *Attorney, Agent, or Firm* — Imperium Patent Works; Darien K. Wallace

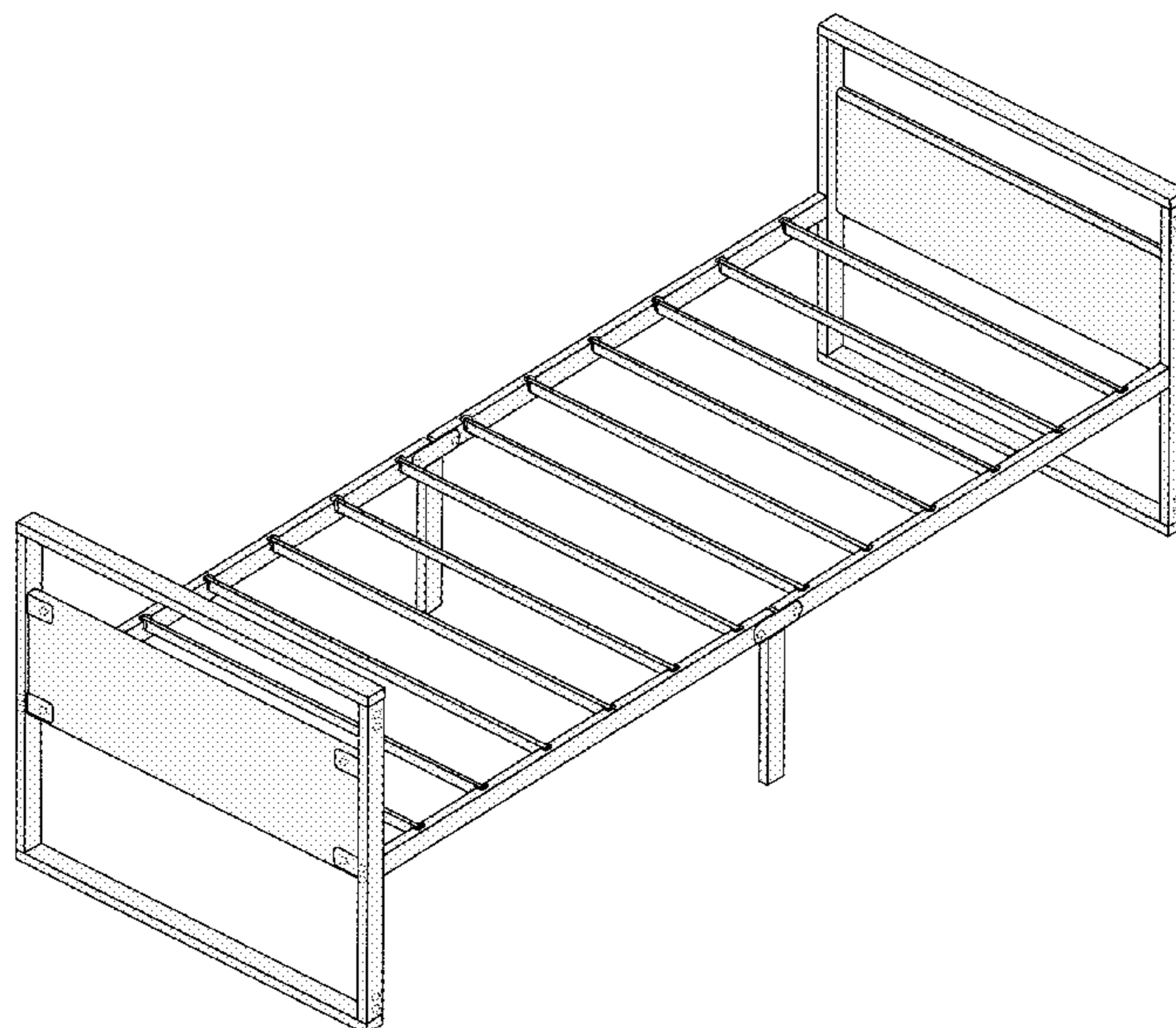
(57) **CLAIM**

The ornamental design for the daybed, as shown and described.

DESCRIPTION

FIG. 1 is a front oblique perspective view of a first embodiment of a daybed.
FIG. 2 is a front elevation view of the first embodiment.
FIG. 3 is a left side elevation view of the first embodiment; the right side elevation view (not shown) being a mirror image thereof.
FIG. 4 is a back elevation view of the first embodiment.
FIG. 5 is a top plan view of the first embodiment.
FIG. 6 is a front oblique perspective view of a second embodiment of a daybed.
FIG. 7 is a front elevation view of the second embodiment.
FIG. 8 is a left side elevation view of the second embodiment; the right side elevation view (not shown) being a mirror image thereof.
FIG. 9 is a back elevation view of the second embodiment; and,
FIG. 10 is a top plan view of the second embodiment.
The broken lines shown in the drawings illustrate portions of the Daybed that form no part of the claimed design.

1 Claim, 10 Drawing Sheets



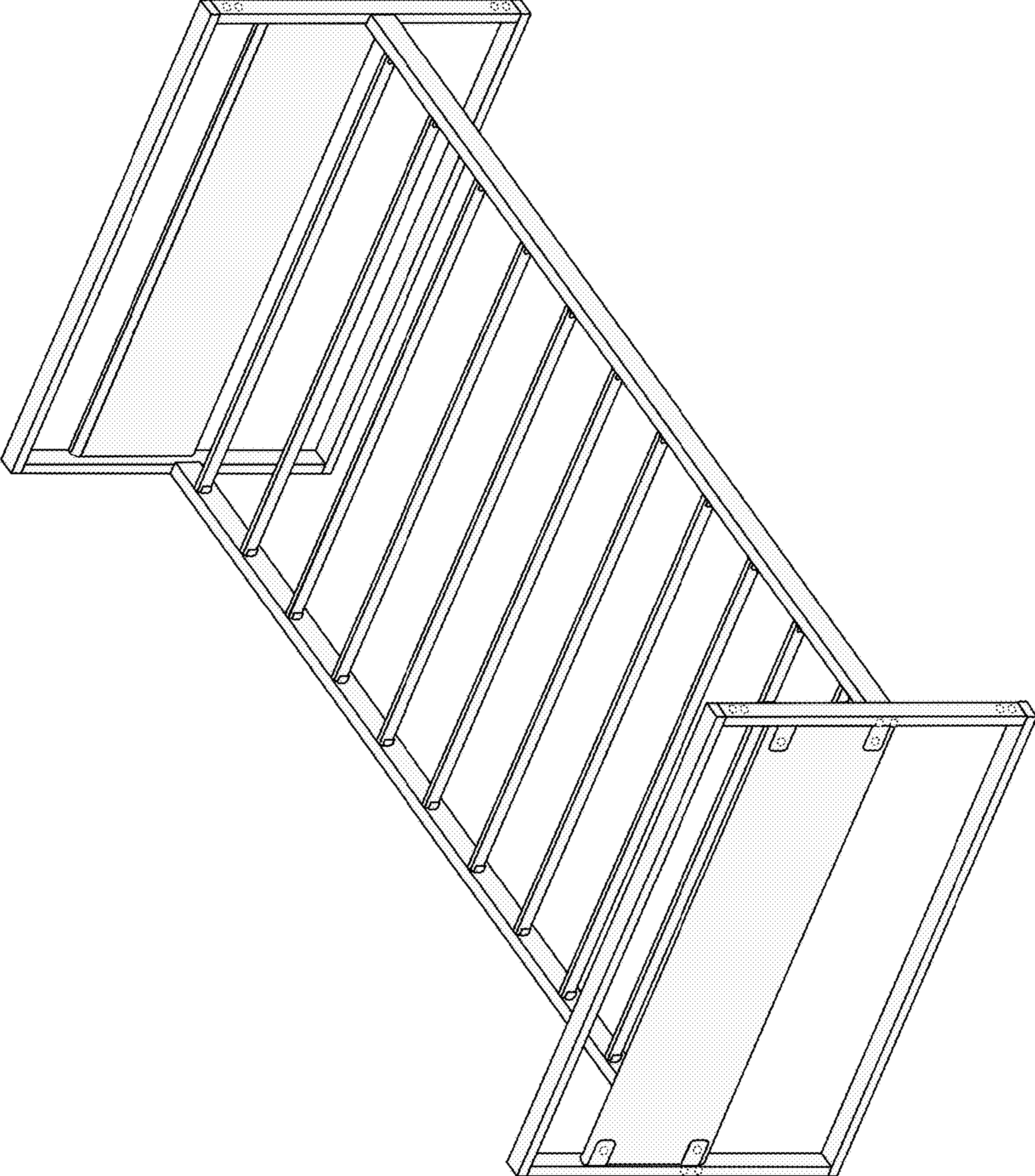


FIG. 1

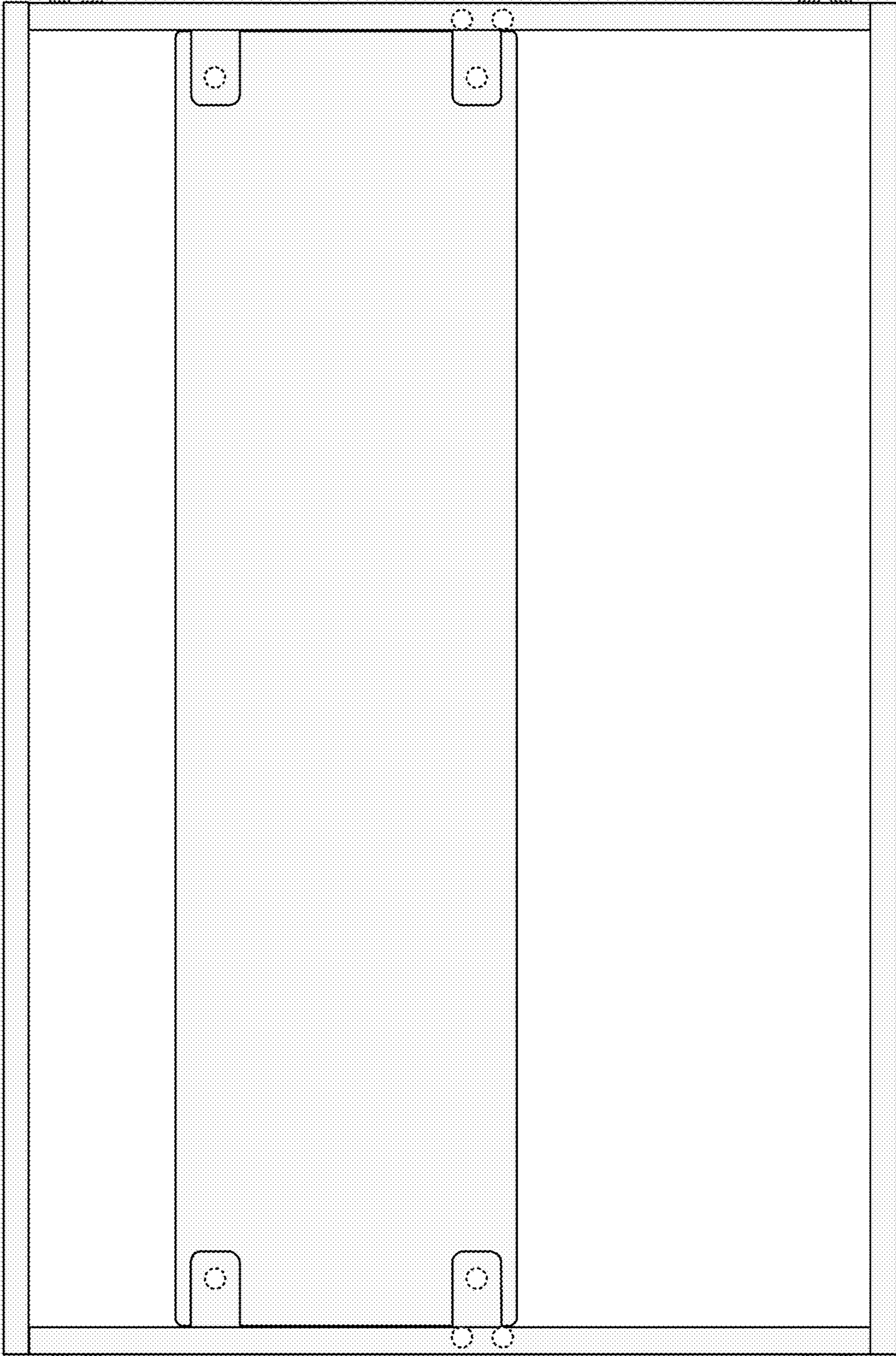


FIG. 2

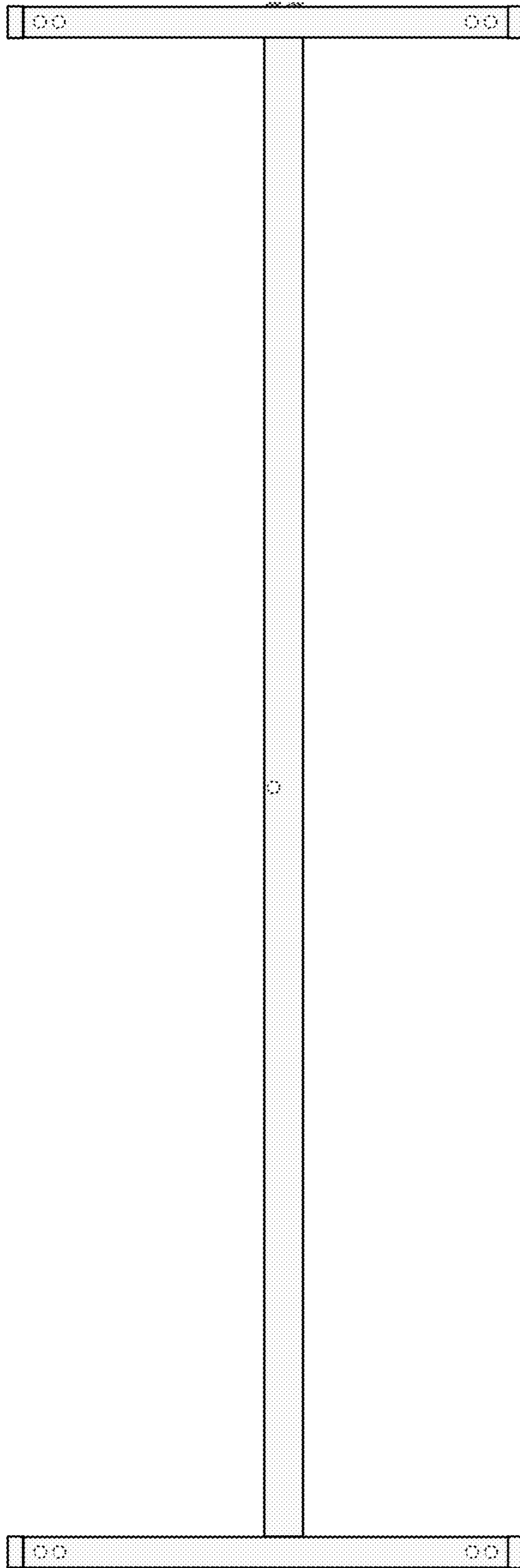


FIG. 3

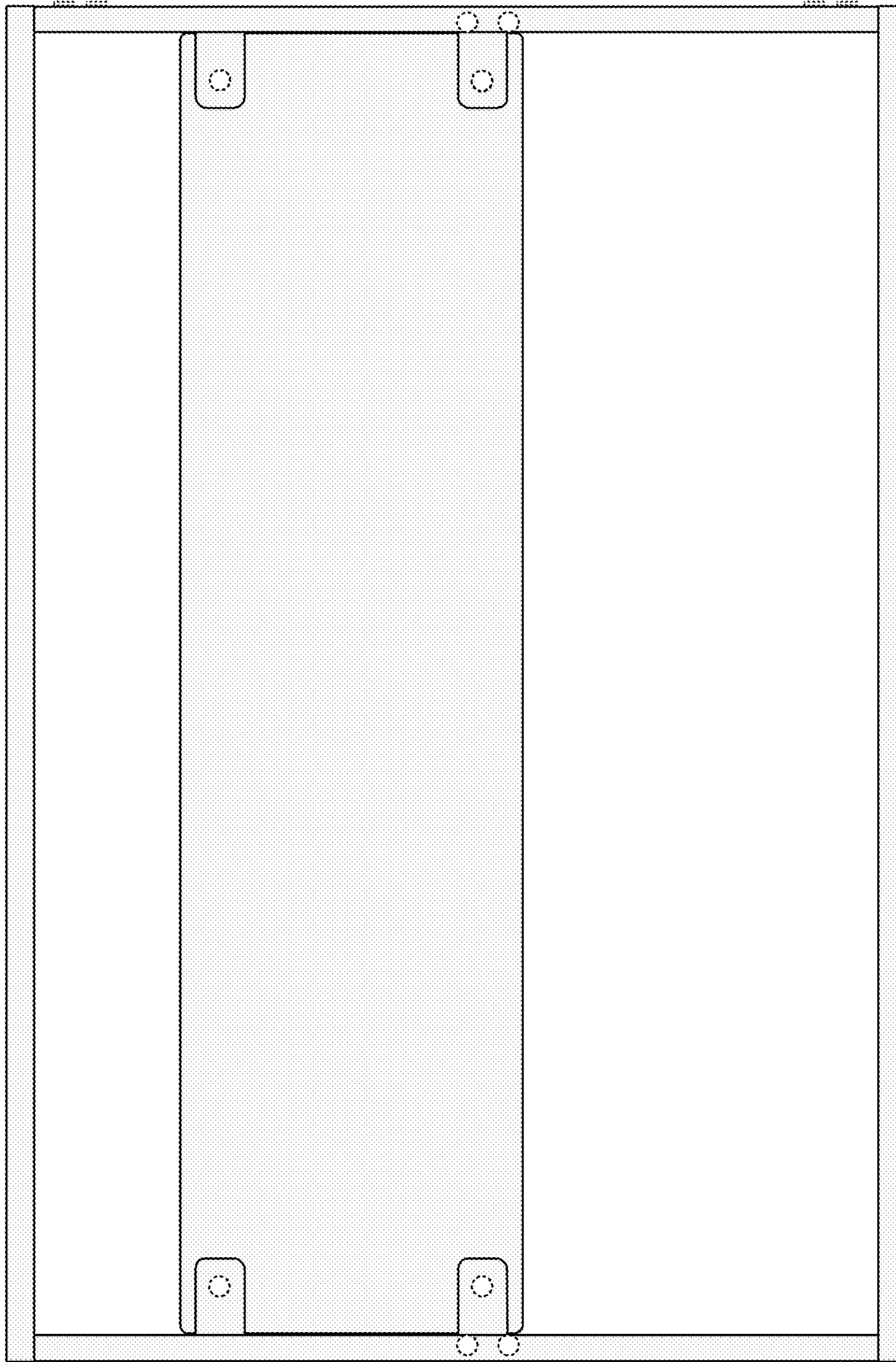


FIG. 4

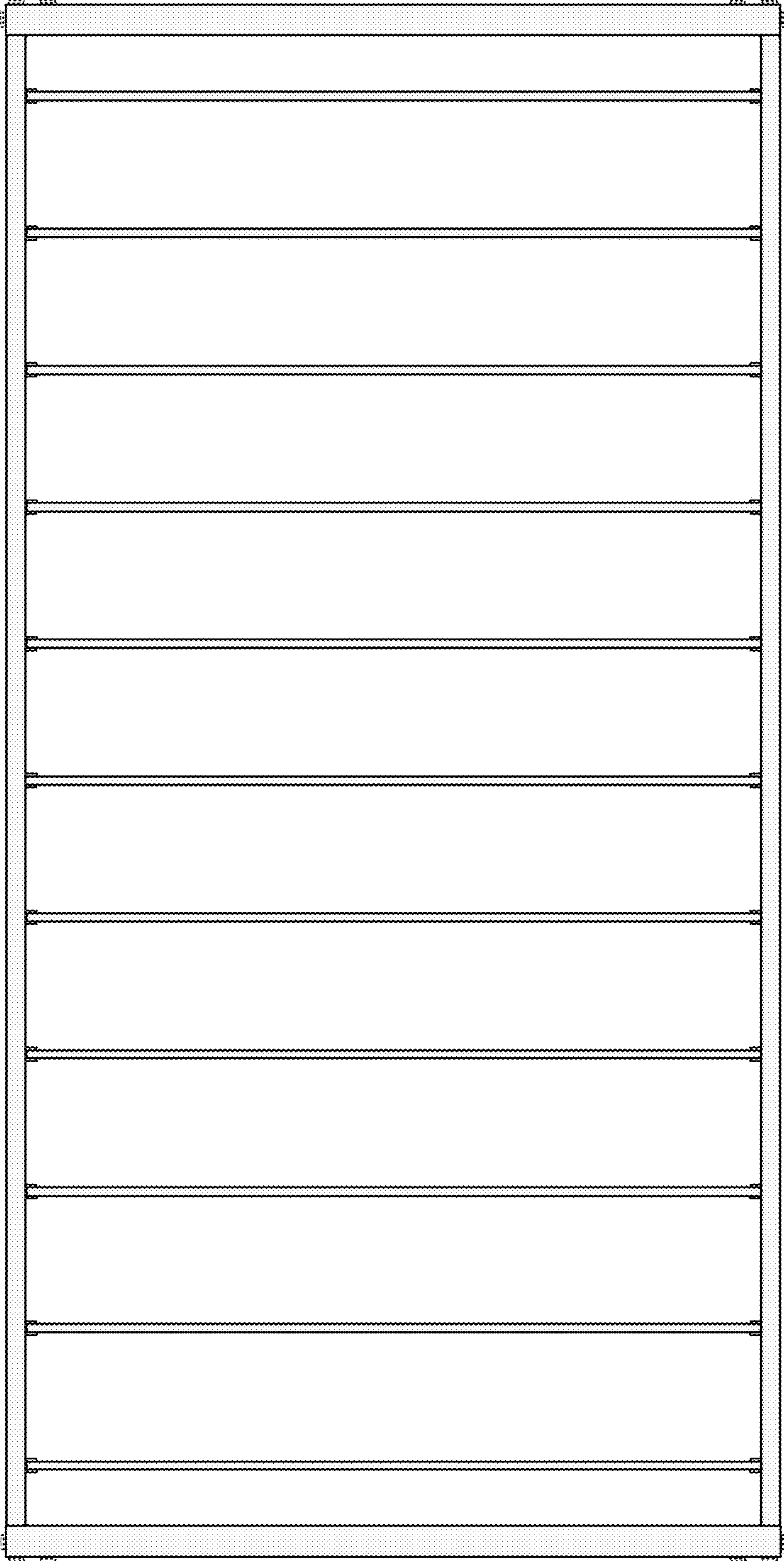


FIG. 5

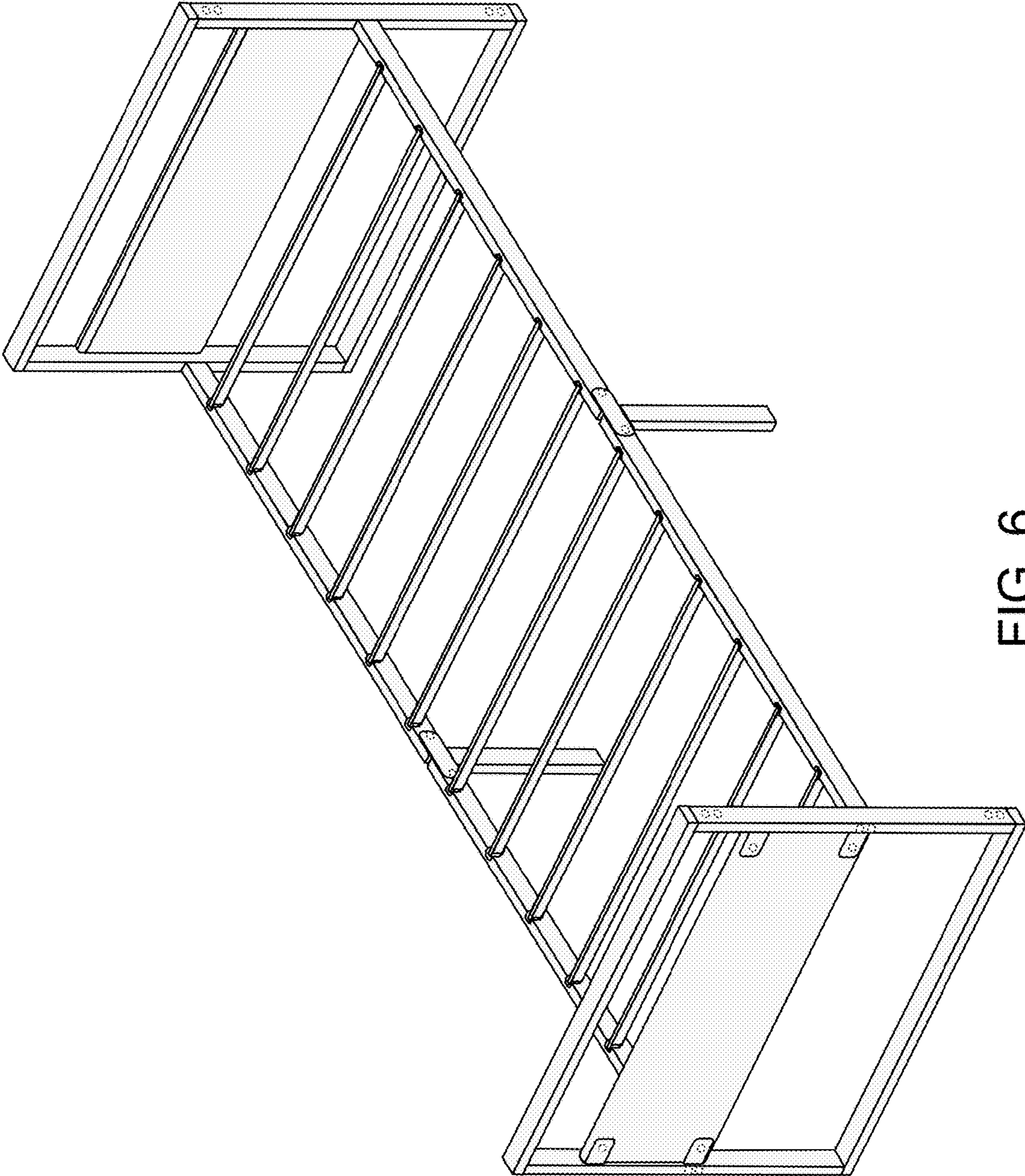


FIG. 6

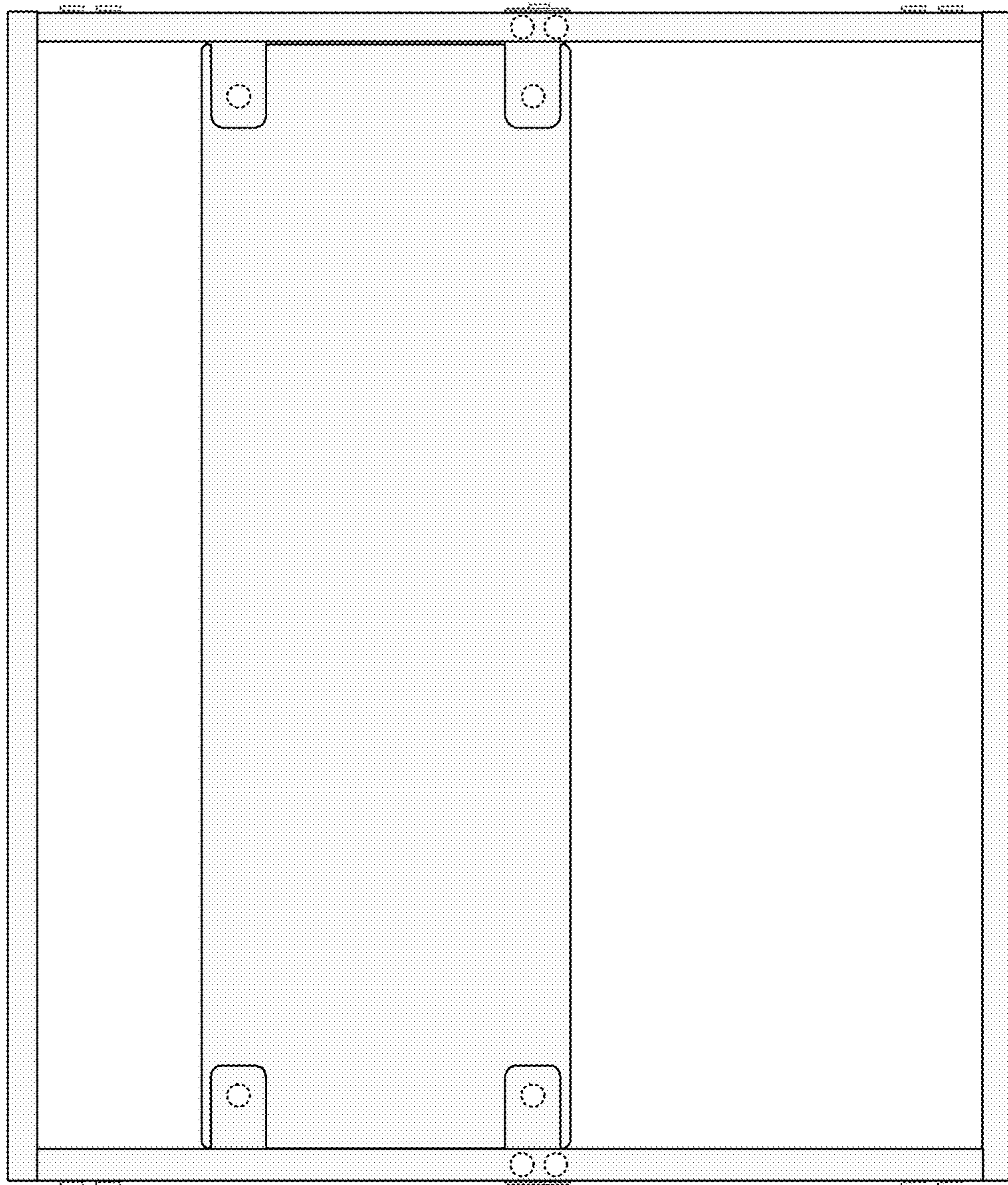


FIG. 7

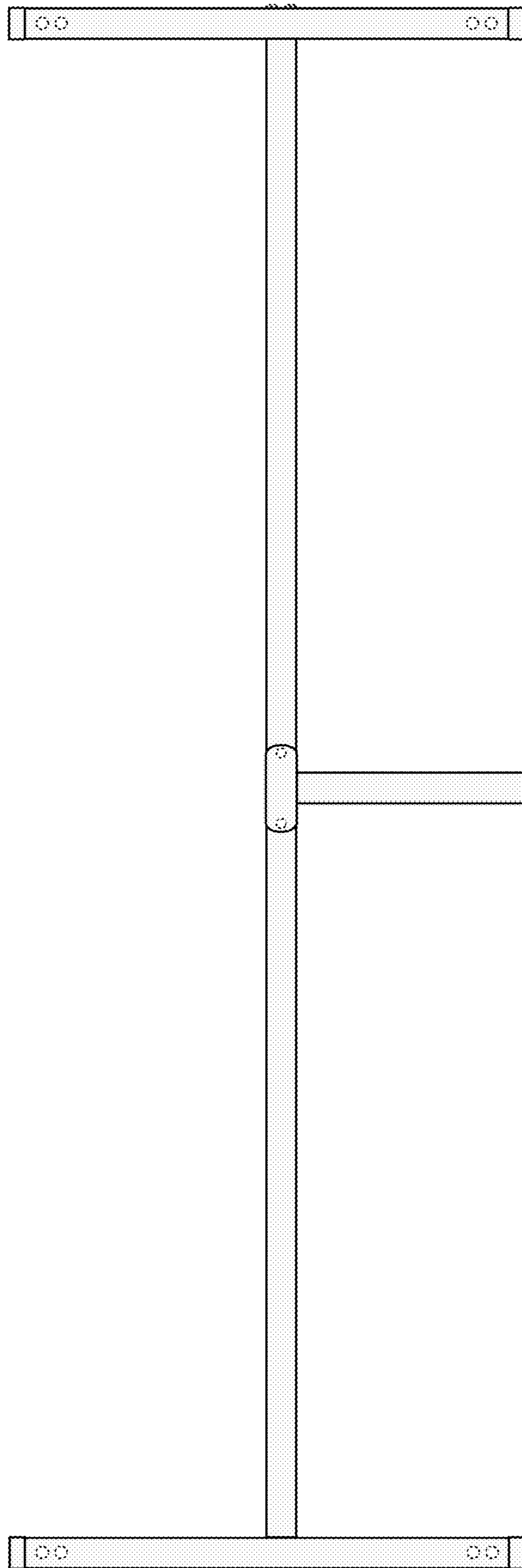


FIG. 8

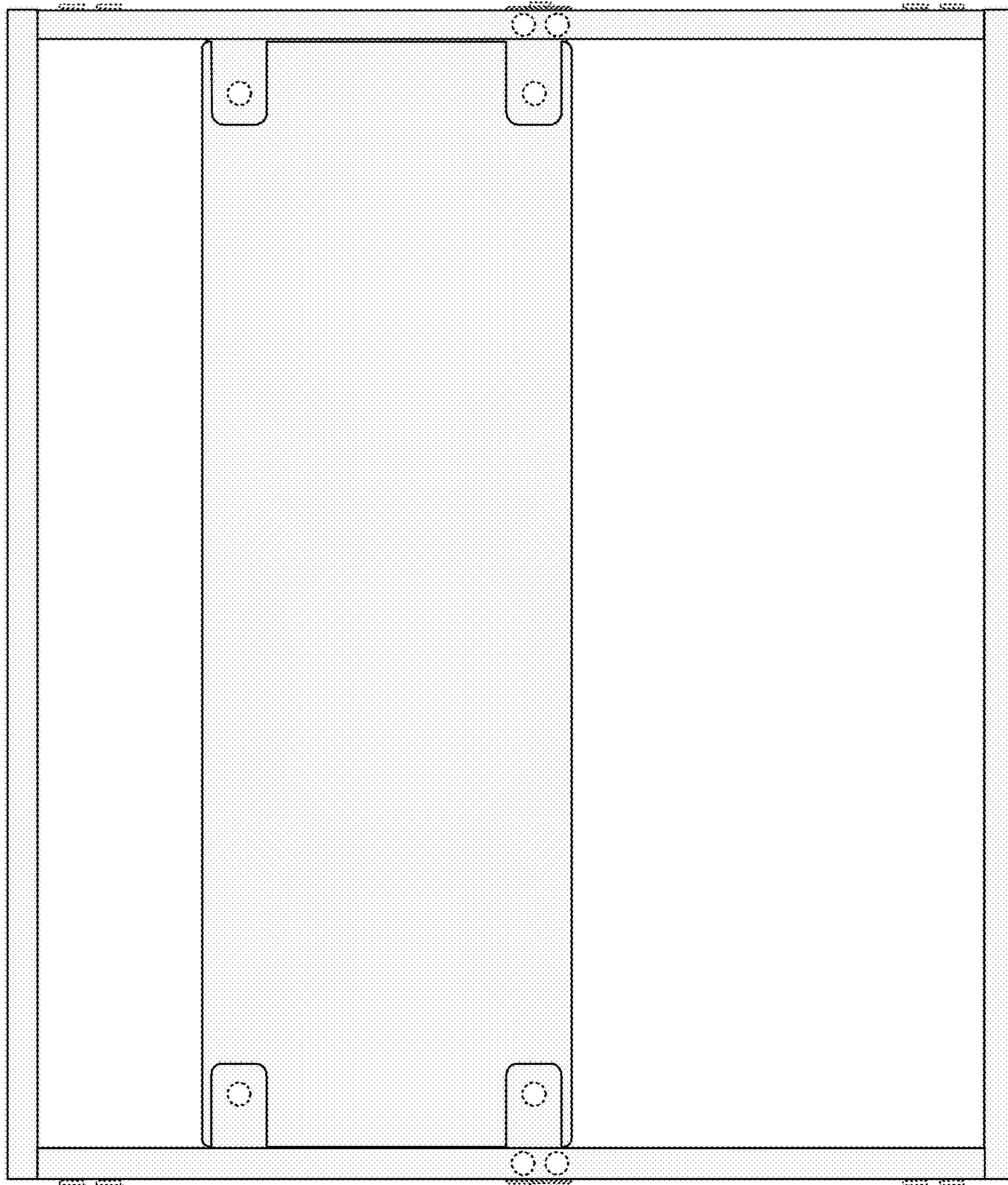


FIG. 9

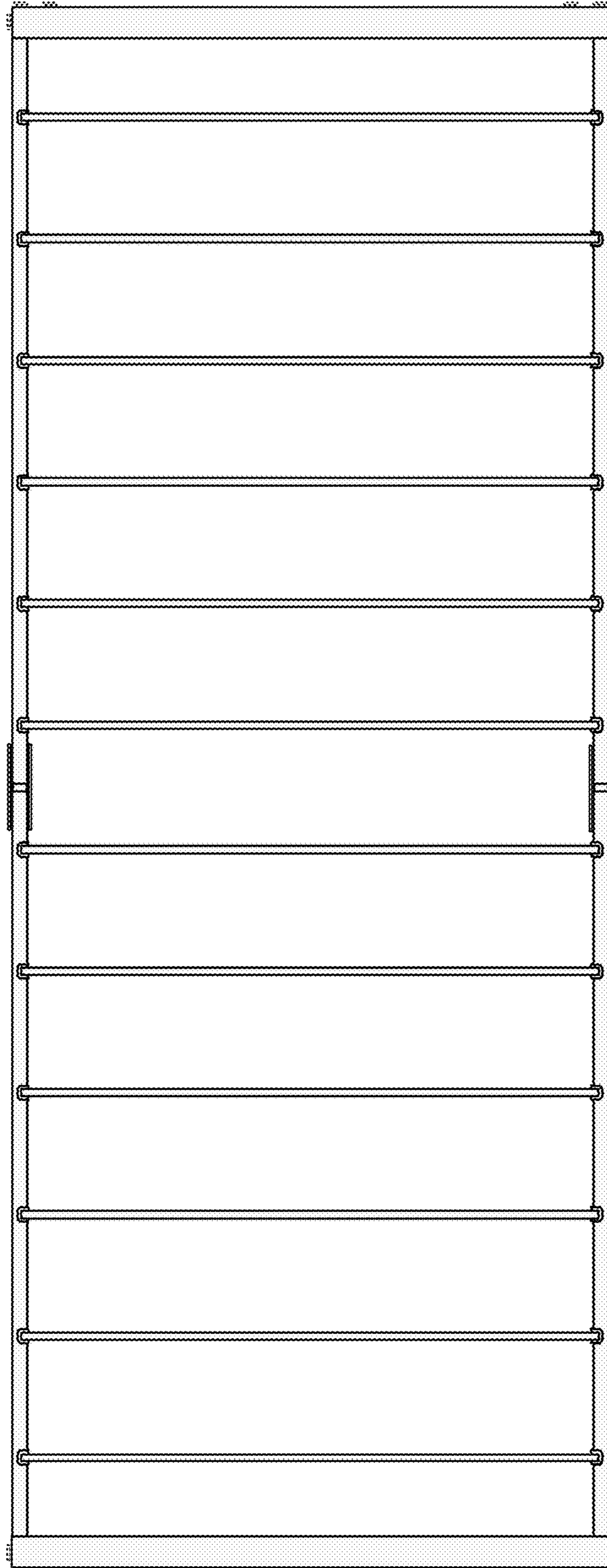


FIG. 10