



US00D855343S

(12) **United States Design Patent**  
**Haingaertner**

(10) **Patent No.:** **US D855,343 S**

(45) **Date of Patent:** **\*\* Aug. 6, 2019**

- (54) **FOLDING CHAIR**
- (71) Applicant: **Andrew Haingaertner**, Rogers, AR  
(US)
- (72) Inventor: **Andrew Haingaertner**, Rogers, AR  
(US)
- (\*\*) Term: **15 Years**
- (21) Appl. No.: **29/585,685**
- (22) Filed: **Nov. 28, 2016**
- (51) **LOC (12) Cl.** ..... **06-01**
- (52) **U.S. Cl.**  
USPC ..... **D6/368**
- (58) **Field of Classification Search**  
USPC ..... D6/334-336, 368, 373, 374, 376, 379,  
D6/380, 716, 716.1, 716.2, 716.3, 716.4  
CPC .. A47C 4/00; A47C 4/28; A47C 4/286; A47C  
4/30; A47C 4/42; A47C 4/44; A47C 4/46;  
A47C 4/48; A47C 5/04; A47C 5/10  
See application file for complete search history.

- 6,814,403 B2 \* 11/2004 Zheng ..... A47C 4/00  
297/16.2
- 6,840,574 B1 \* 1/2005 Wu ..... A47C 4/42  
297/188.14
- 6,926,356 B2 \* 8/2005 Chen ..... A47C 4/286  
297/35
- 7,070,230 B2 \* 7/2006 Chen ..... A47C 4/286  
297/135
- 8,100,469 B2 \* 1/2012 Lougee ..... A47C 4/286  
297/58
- 8,511,747 B2 \* 8/2013 Lougee ..... A47C 4/286  
297/16.2
- D706,050 S \* 6/2014 Yang ..... D6/368
- 8,864,222 B2 \* 10/2014 Grace ..... A47C 4/286  
297/35
- 9,204,729 B2 \* 12/2015 Frankel ..... A47C 5/10
- 9,622,583 B1 \* 4/2017 Lv ..... A47C 5/10

\* cited by examiner

*Primary Examiner* — Mimosa De  
(74) *Attorney, Agent, or Firm* — Keisling + Pieper PLC;  
Daniel B. Pieper

(57) **CLAIM**

The ornamental design for a folding chair, as shown and described.

**DESCRIPTION**

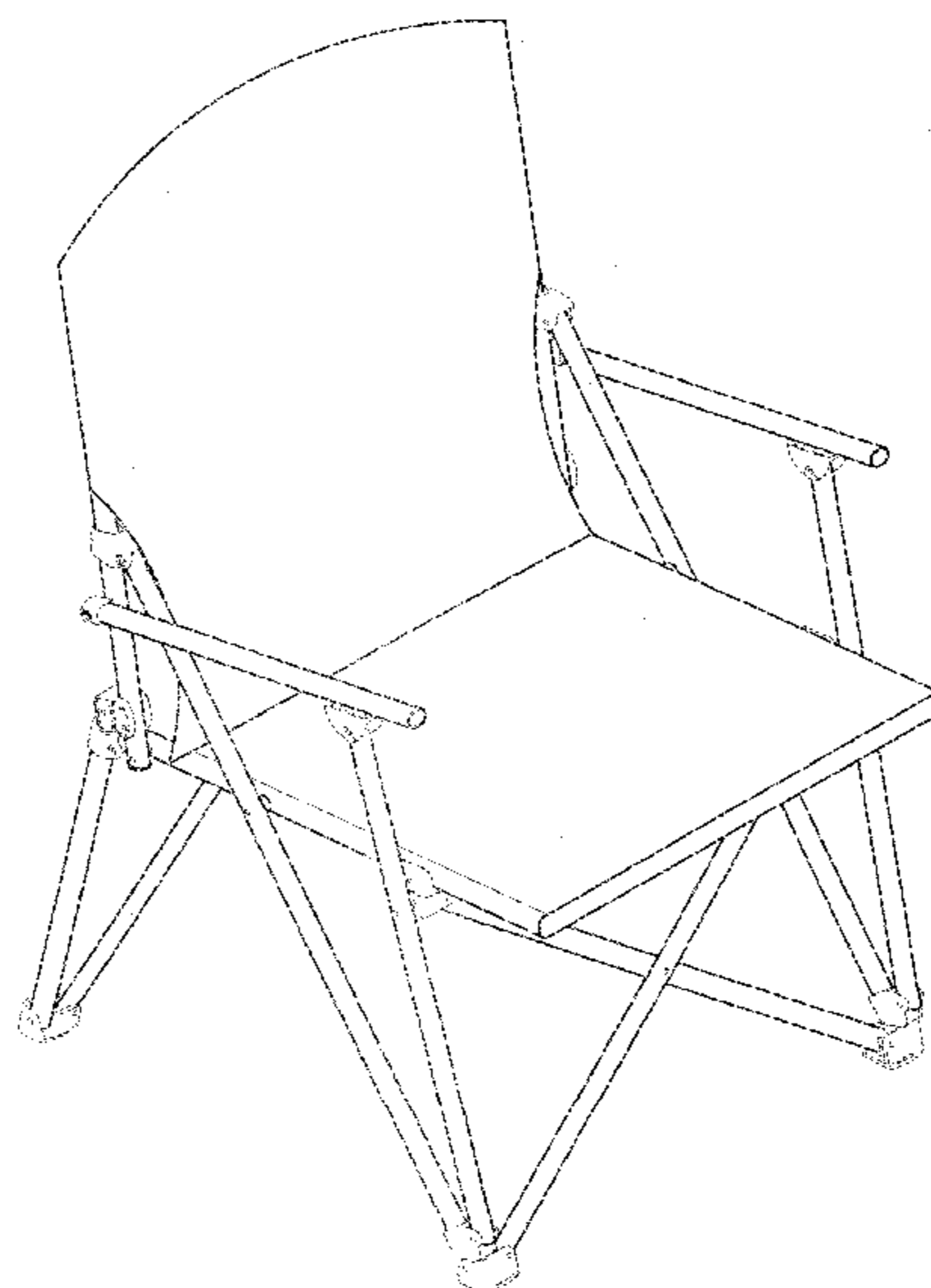
FIG. 1 is a perspective view of a folding chair showing my new design;  
FIG. 2 is a top view thereof;  
FIG. 3 is a left side view thereof;  
FIG. 4 is a front view thereof; and,  
FIG. 5 is a right side view thereof; and,  
FIG. 6 is a bottom view thereof.  
The broken lines showing the screws and connectors are for the purpose of illustrating environmental structure and form no part of the claimed design.

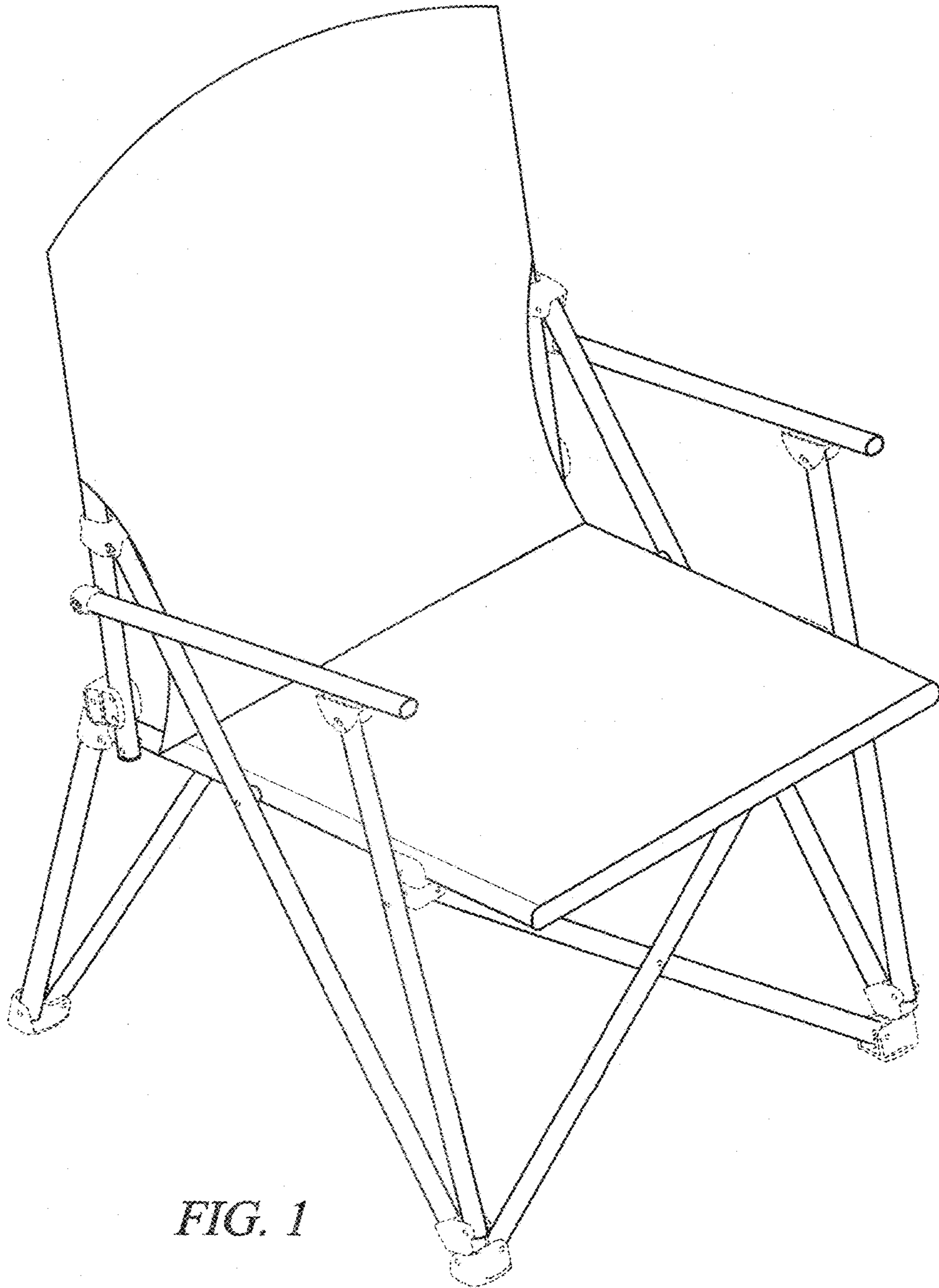
**1 Claim, 6 Drawing Sheets**

(56) **References Cited**

U.S. PATENT DOCUMENTS

- 5,984,406 A \* 11/1999 Lee ..... A47C 4/286  
297/16.2
- 6,179,374 B1 \* 1/2001 Tang ..... A47C 4/286  
297/42
- 6,302,479 B1 \* 10/2001 Zheng ..... A47C 4/286  
297/16.2
- 6,382,715 B1 \* 5/2002 Tang ..... A47C 4/286  
297/16.2
- 6,454,348 B1 \* 9/2002 Wu ..... A47C 4/286  
297/16.2
- 6,550,855 B2 \* 4/2003 Liu ..... A47C 4/00  
297/42





*FIG. 1*

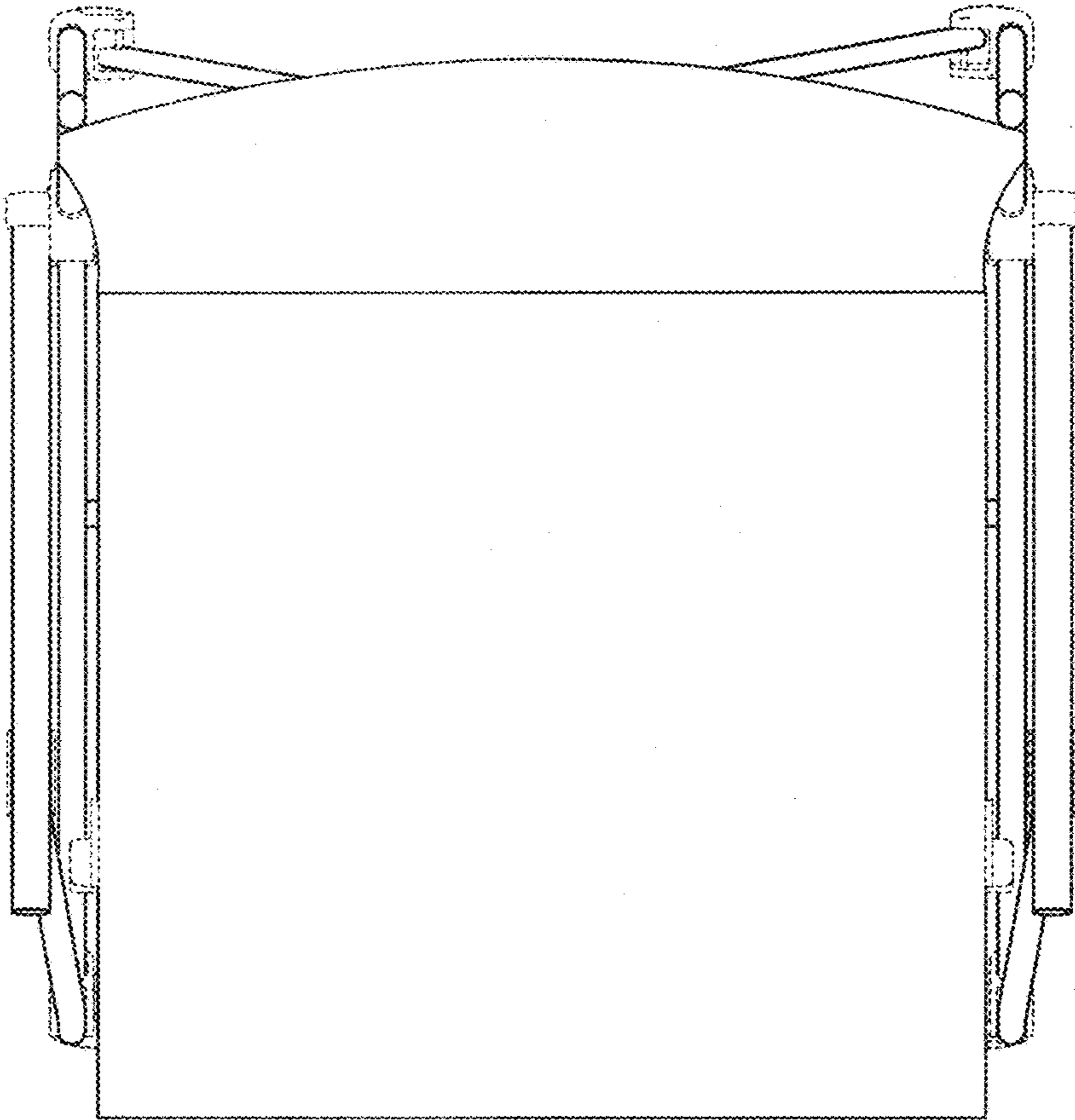


FIG. 2

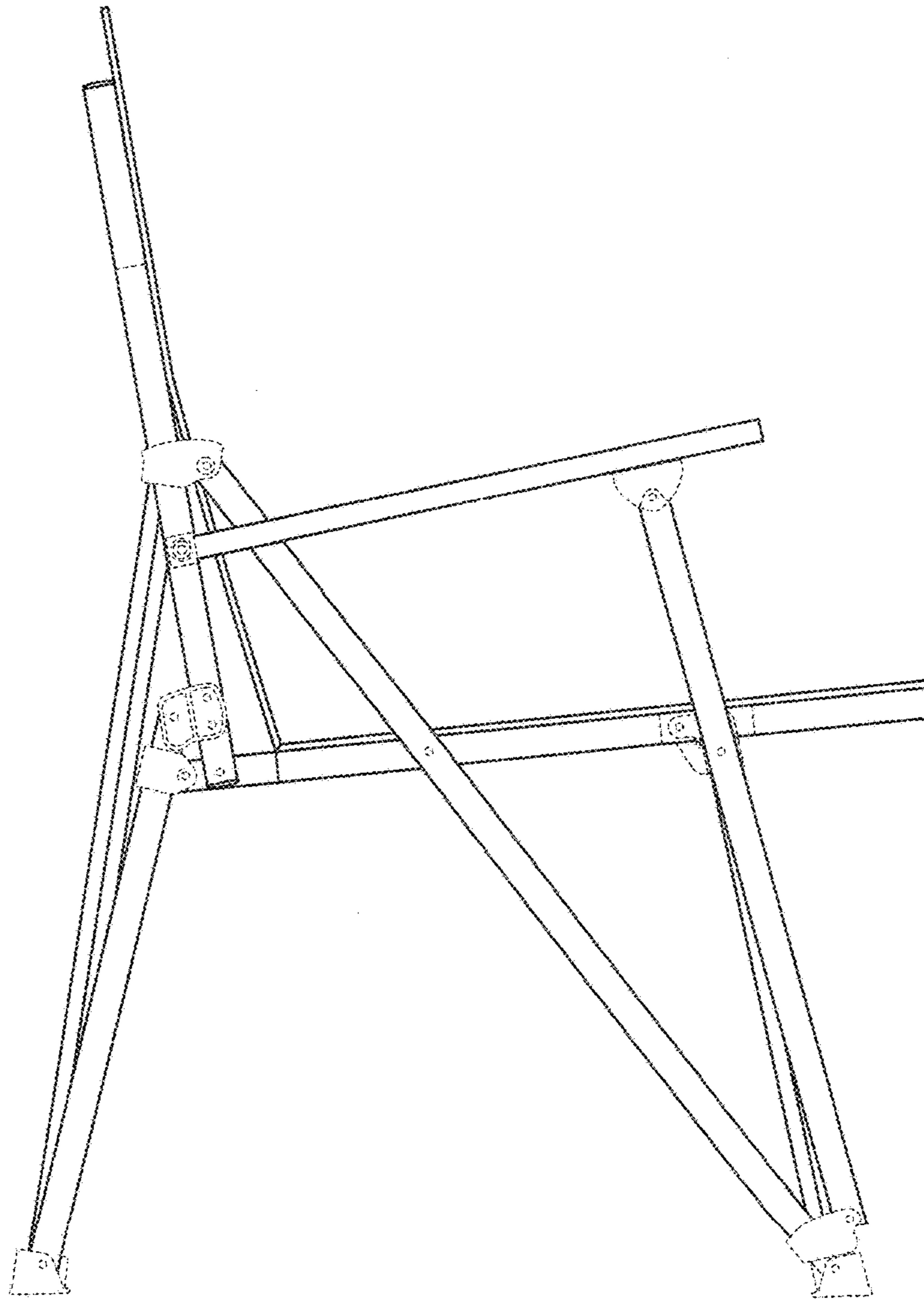


FIG. 3

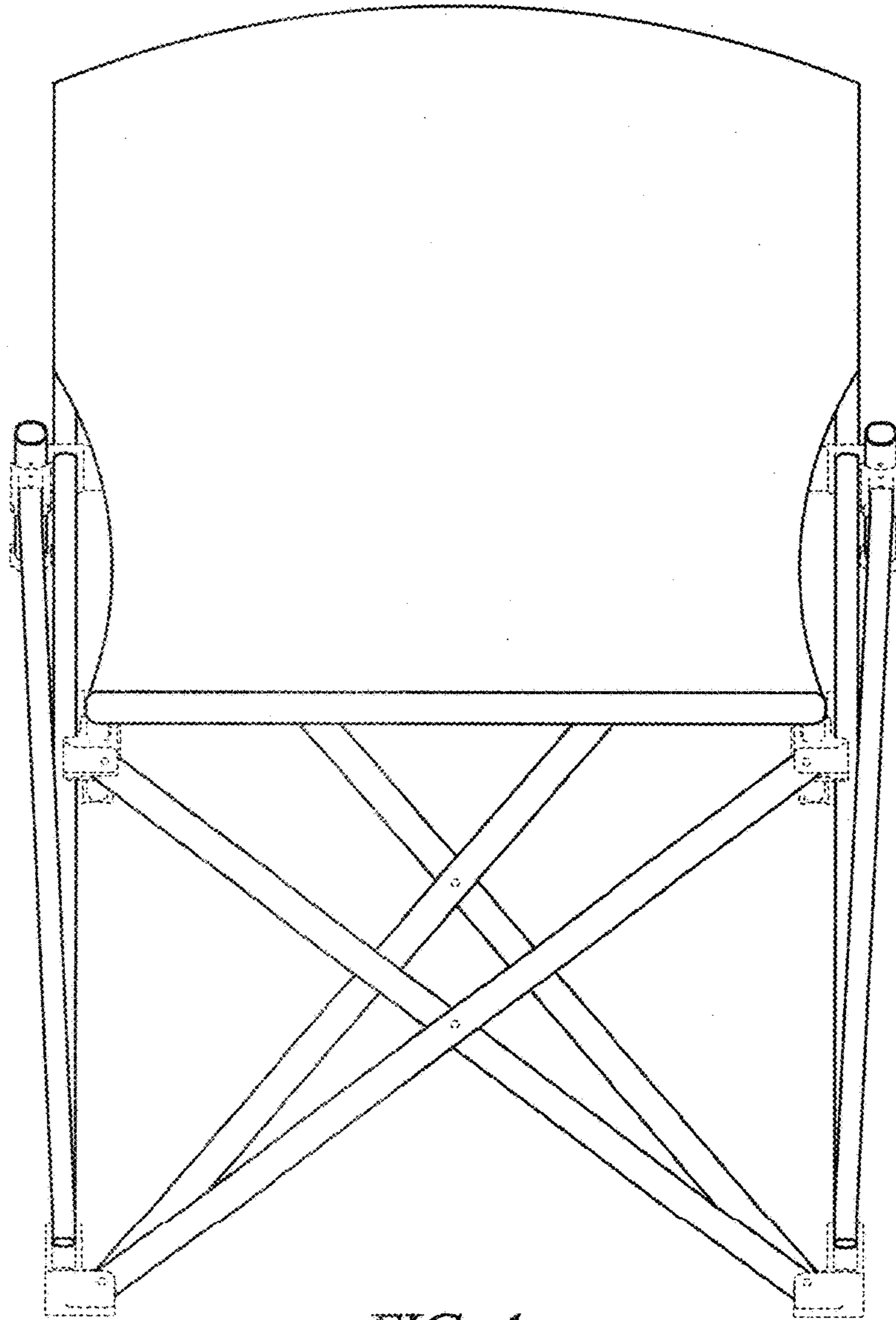
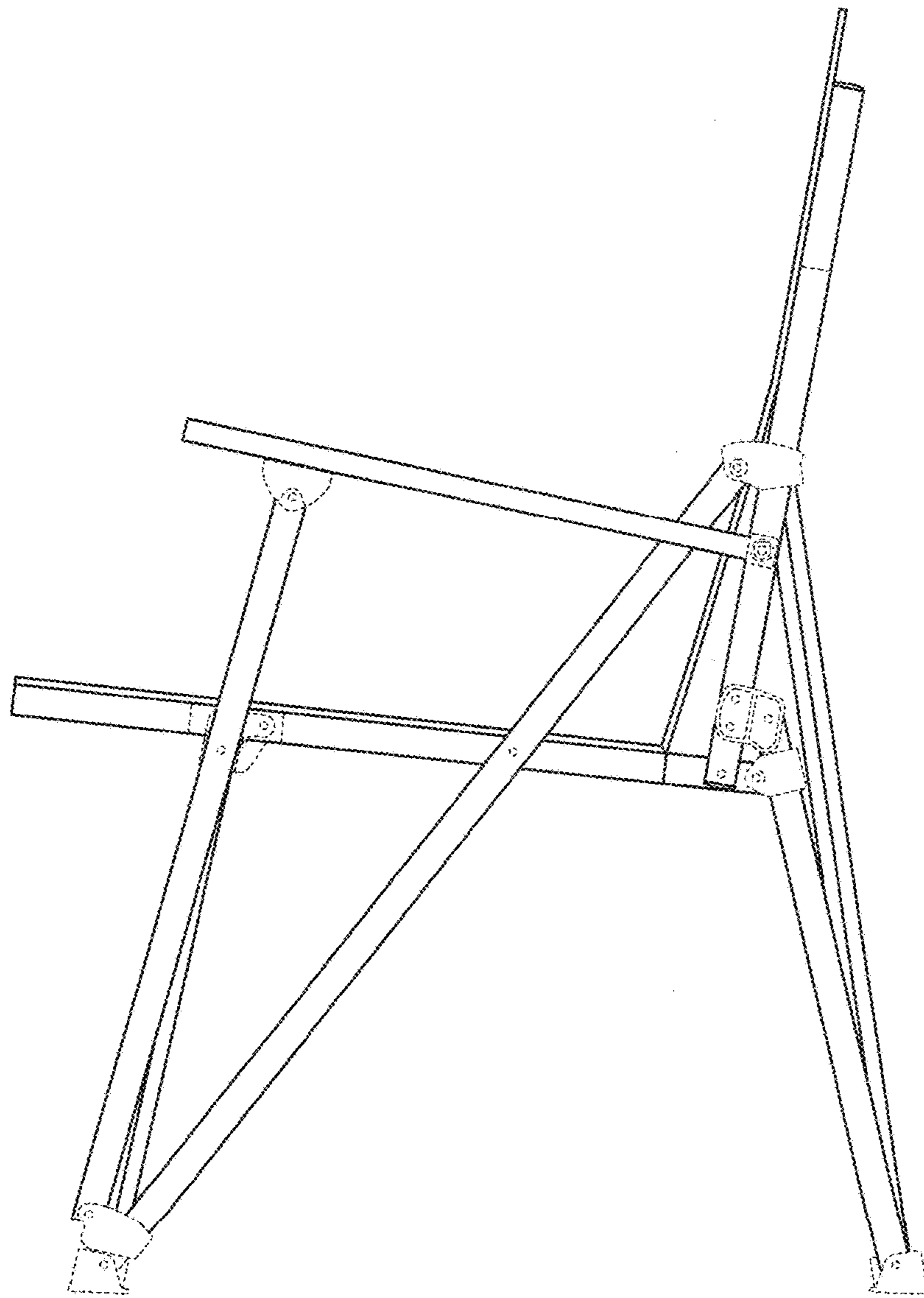


FIG. 4



*FIG. 5*

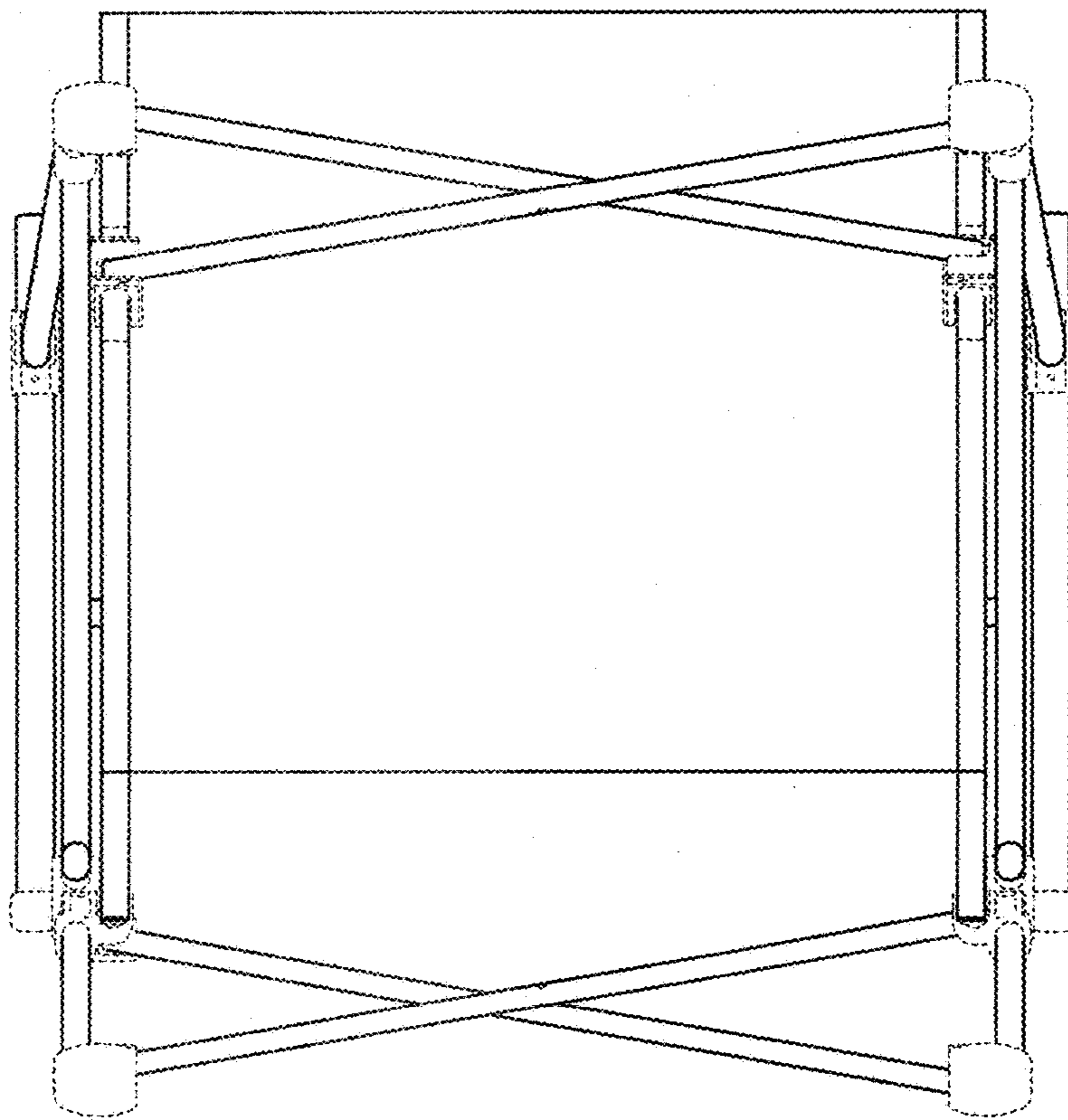


FIG. 6