



US00D855342S

(12) **United States Design Patent** (10) **Patent No.:** **US D855,342 S**
Lievore et al. (45) **Date of Patent:** **** Aug. 6, 2019**

(54) **LOUNGE CHAIR**

D810,454 S * 2/2018 Westfall D6/361
D823,014 S * 7/2018 Guggenbichler D6/361
2018/0084916 A1* 3/2018 Woolnough A47C 20/026

(71) Applicant: **TRIBU N.V.**, Bilzen (BE)

(72) Inventors: **Alberto Lievore**, Barcelona (ES);
Jeannette Altherr, Barcelona (ES);
Manel Molina, Barcelona (ES)

(73) Assignee: **TRIBU N.V.**, Bilzen (BE)

(**) Term: **15 Years**

(21) Appl. No.: **29/619,171**

(22) Filed: **Sep. 27, 2017**

(30) **Foreign Application Priority Data**

Apr. 3, 2017 (EM) 003837772-0002

(51) **LOC (12) Cl.** **06-01**

(52) **U.S. Cl.**
USPC **D6/361**

(58) **Field of Classification Search**
USPC D6/334-336, 361, 368, 382, 370,
D6/374-381, 716, 716.1-716.8, 717.2
CPC A47C 4/00; A47C 4/02; A47C 4/03; A47C
4/04; A47C 4/08; A47C 4/10; A47C 4/14;
A47C 5/10; A47C 17/00; A47C 17/64;
A47C 17/70

See application file for complete search history.

(56) **References Cited**

U.S. PATENT DOCUMENTS

D226,061 S * 1/1973 Kellman D6/361
D299,685 S * 2/1989 Frinier D6/361
D344,415 S * 2/1994 Gibbs D6/361
8,002,349 B1 * 8/2011 Pizzuto A47C 1/143
297/184.11
D657,969 S * 4/2012 Nguyen D6/361
D707,049 S * 6/2014 Asner D6/361
9,185,983 B1 * 11/2015 Cohen A47C 4/52
D802,313 S * 11/2017 Bernardi D6/361

OTHER PUBLICATIONS

Branch Lounger, posted at Tribu.com:80, posted on Mar. 11, 2017, site visited Nov. 4, 2018. online, available from internet: <https://web.archive.org/web/20170311092337/http://www.tribu.com:80/en/products/branch/branch-lounger> (Year: 2017).*

Chaise Lounge, posted at Jossandmain.com, posted on Mar. 25, 2016, site visited Nov. 4, 2018. online, available from internet: <https://www.jossandmain.com/outdoor/pdp/chaise-lounge-eela1095.html> (Year: 2016).*

Rizzuto, posted at Jossandmain.com, posted on Dec. 5, 2017, site visited Nov. 4, 2018. online, available from internet: <https://www.jossandmain.com/outdoor/pdp/rizzuto-chaise-lounge-set-with-table-ornl7245.html> (Year: 2017).*

* cited by examiner

Primary Examiner — Mary Ann Calabrese

Assistant Examiner — Catherine Ho

(74) *Attorney, Agent, or Firm* — Ladas & Parry LLP

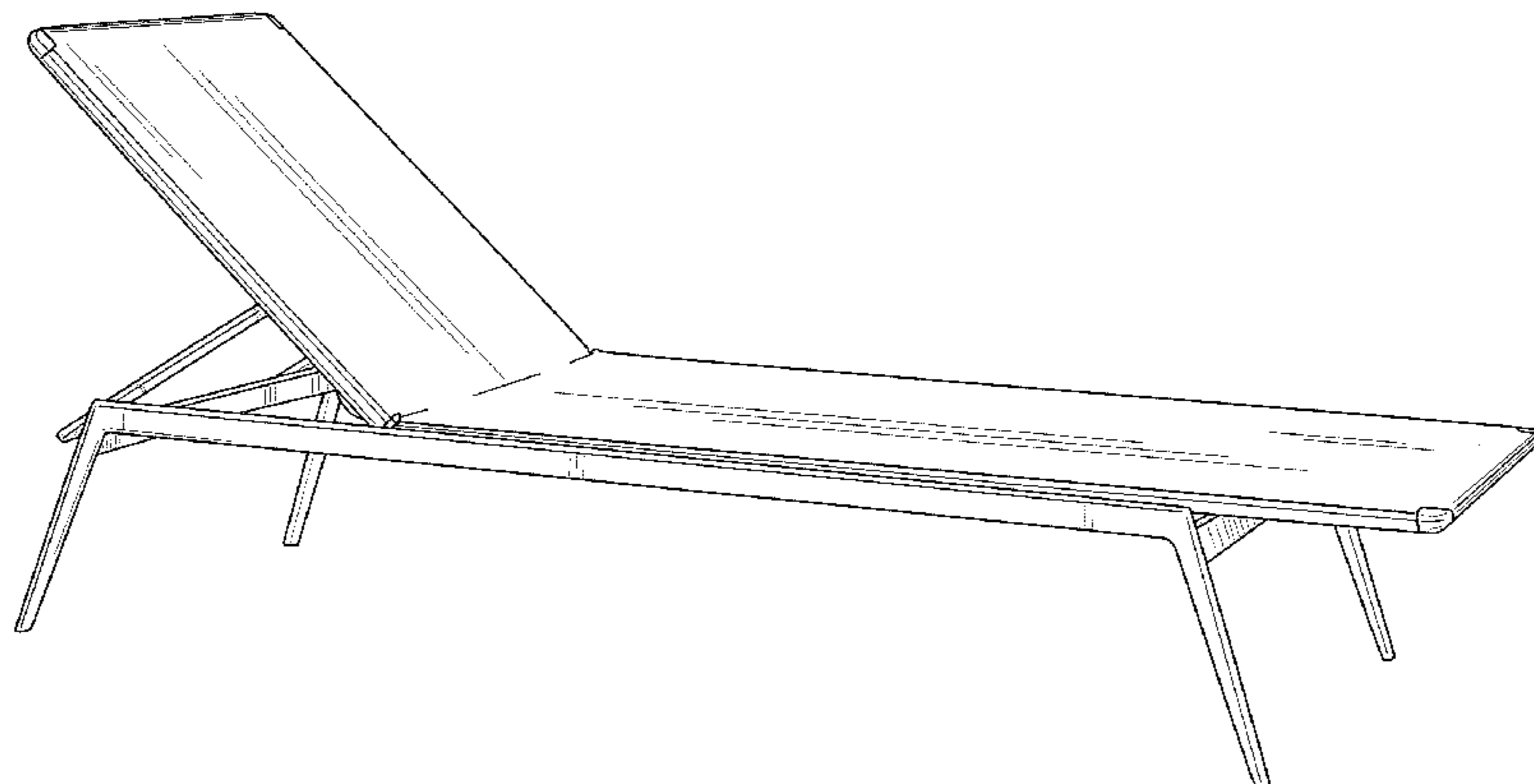
(57) **CLAIM**

The ornamental design for a lounge chair, as shown and described.

DESCRIPTION

FIG. 1 is a perspective view from the top, and left side of the lounge chair embodying our new design; FIG. 2 is a front elevational view thereof; FIG. 3 is a rear elevational view thereof; FIG. 4 is a left side elevational view thereof; FIG. 5 is a right side elevational view thereof; FIG. 6 is a top plan view thereof; and, FIG. 7 is a bottom plan view thereof. The broken line portion of the figure drawings is included to show portions of the article that forms no part of the claimed design.

1 Claim, 7 Drawing Sheets



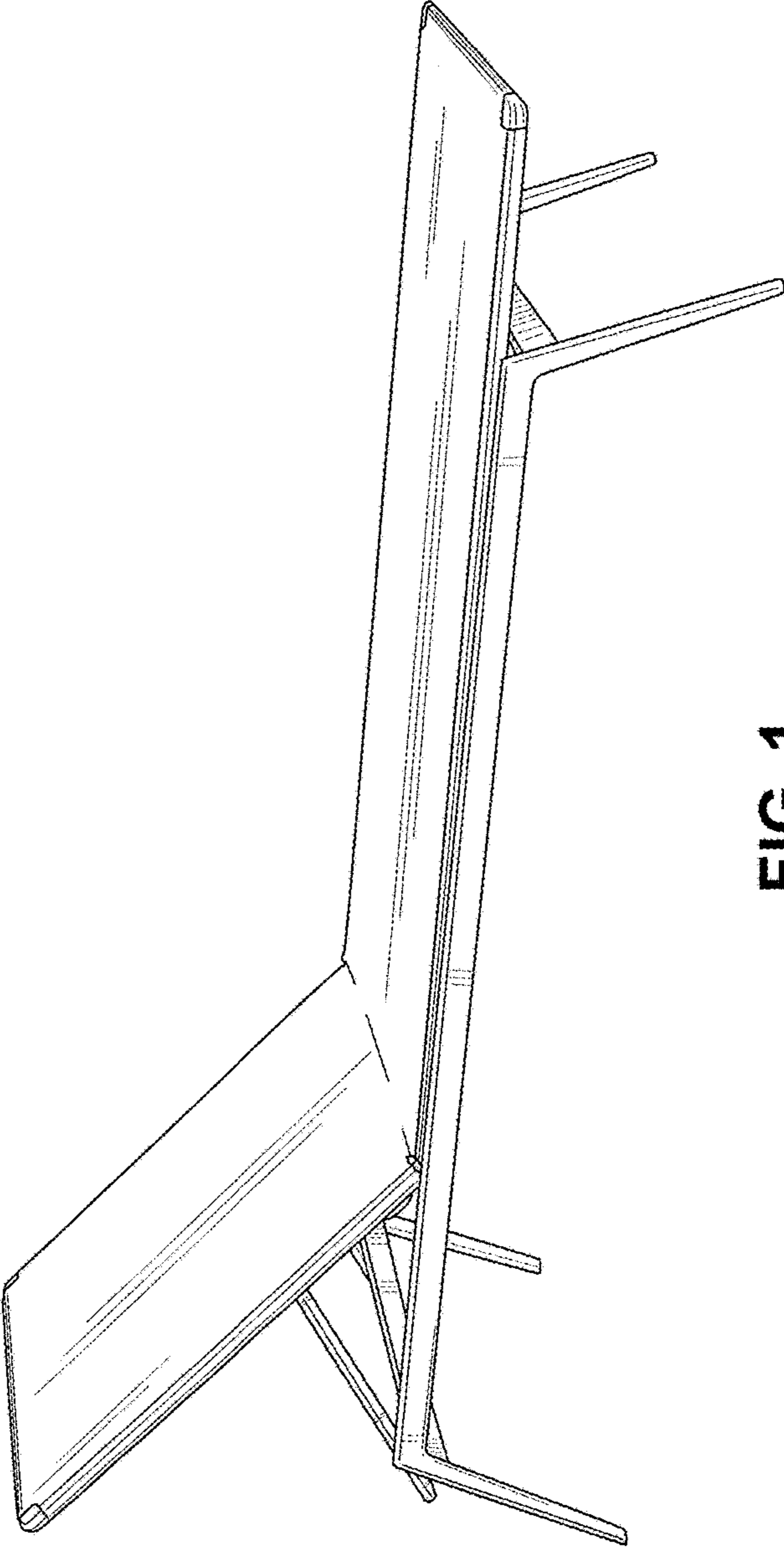


FIG. 1

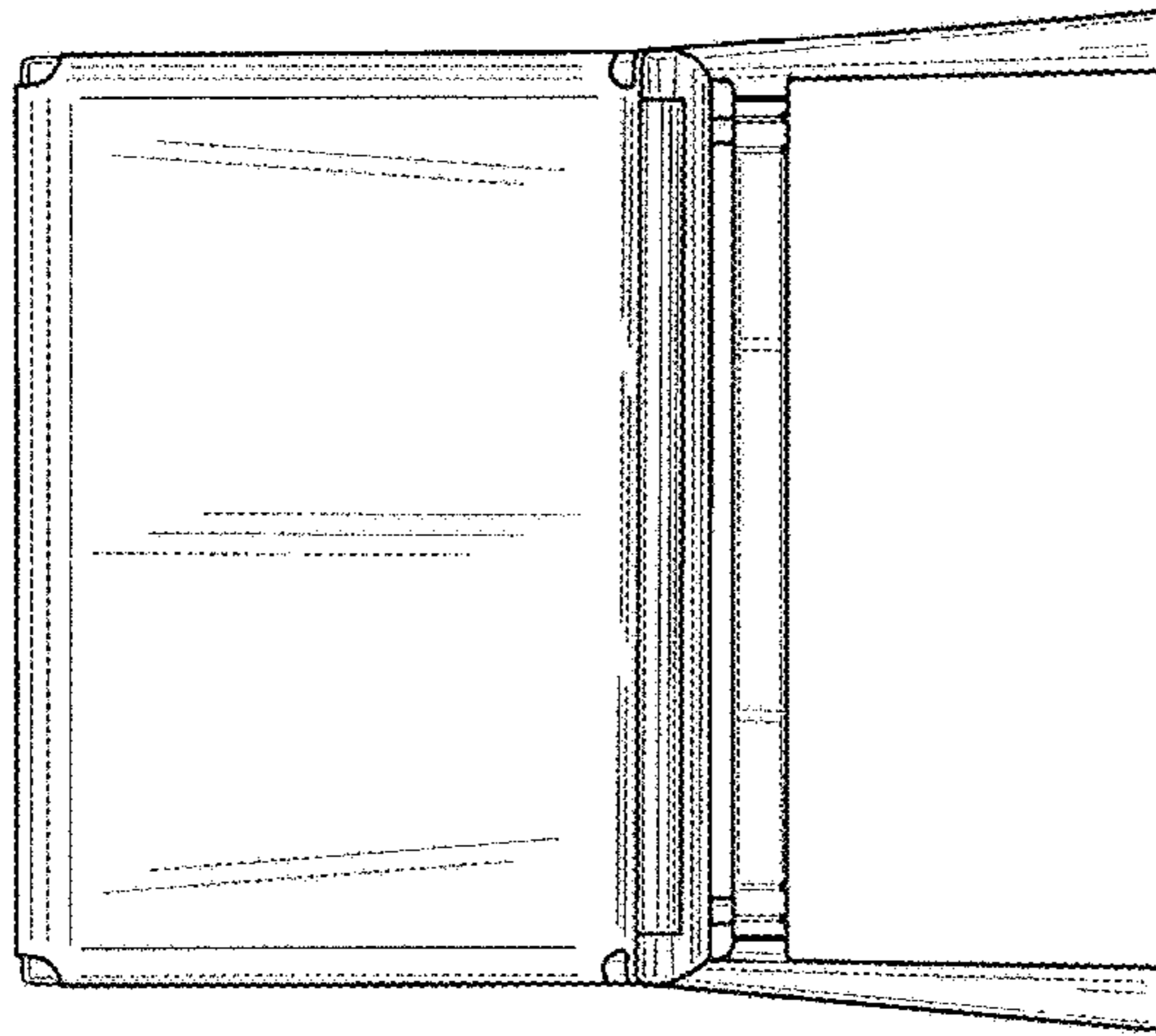


FIG. 2

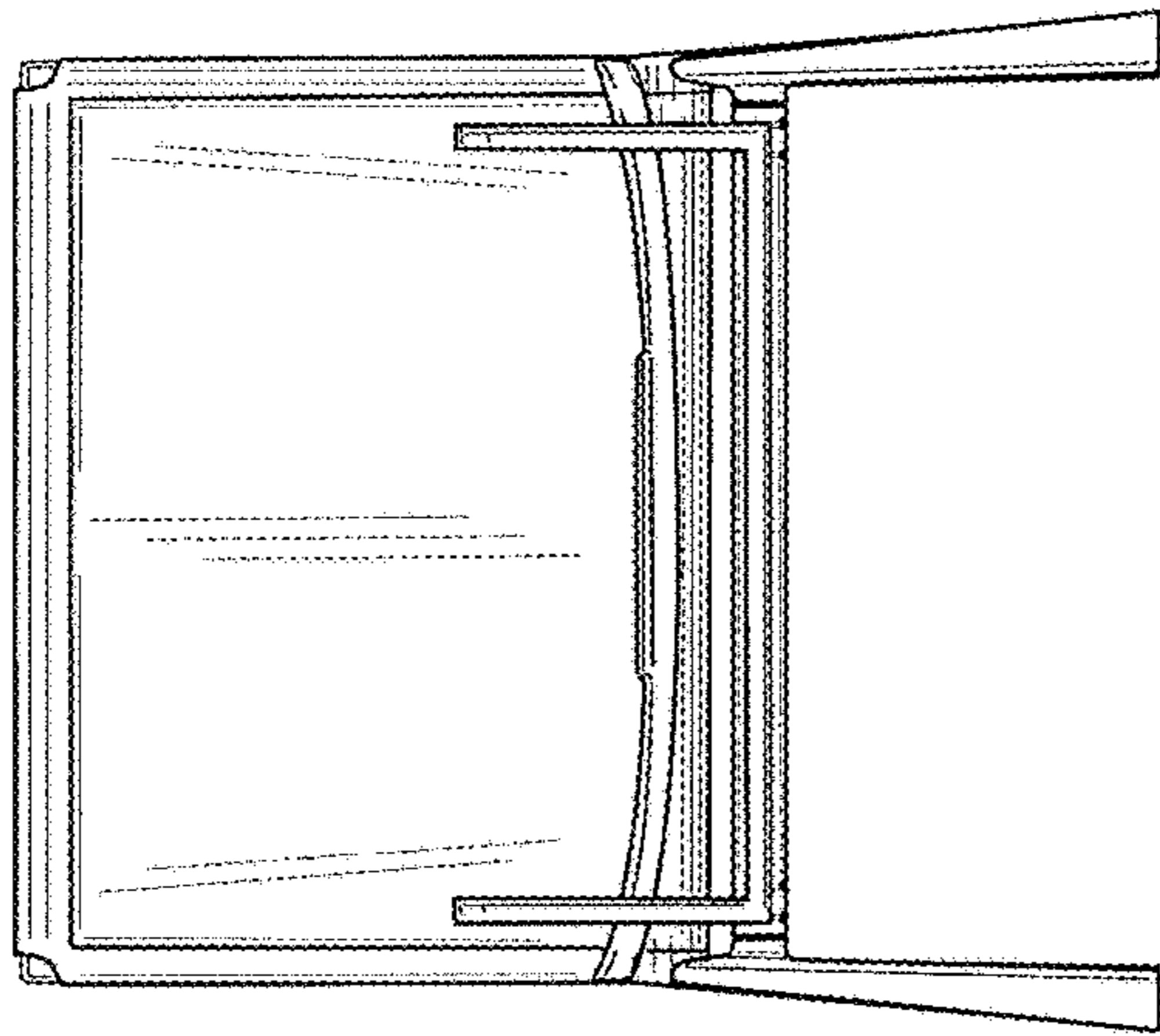


FIG. 3

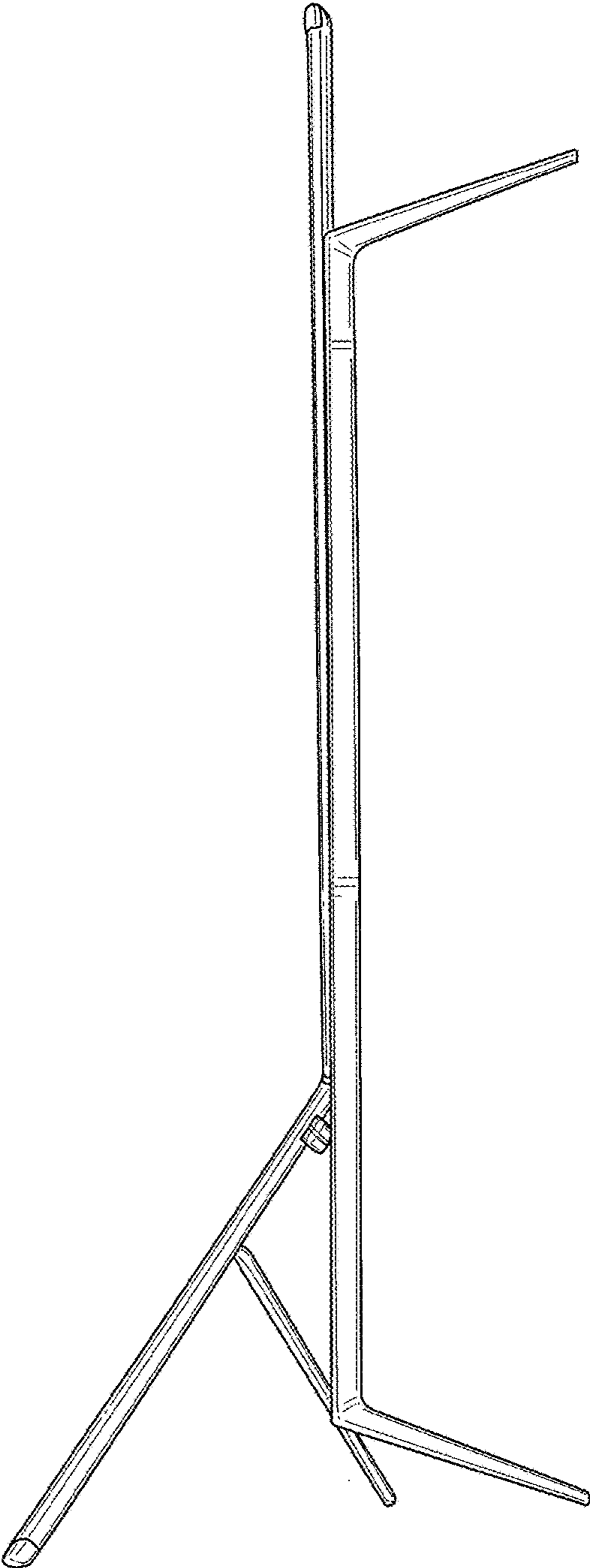


FIG. 4

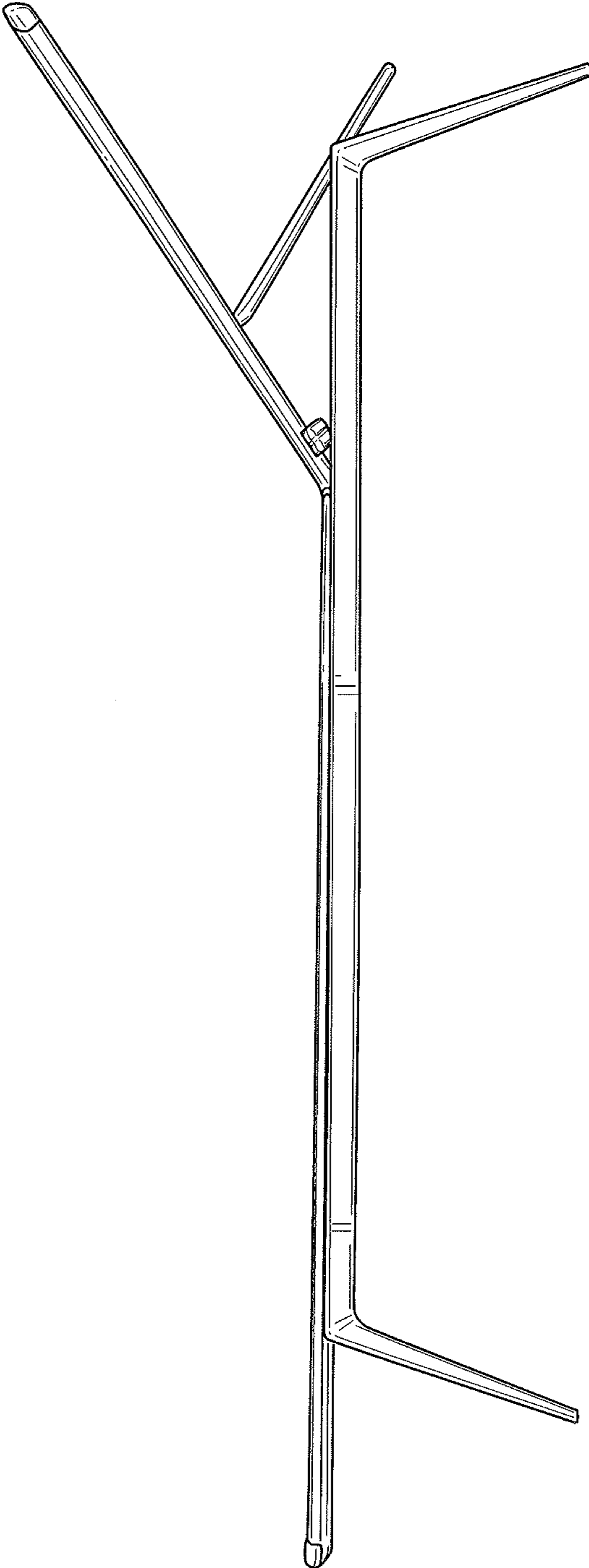


FIG. 5

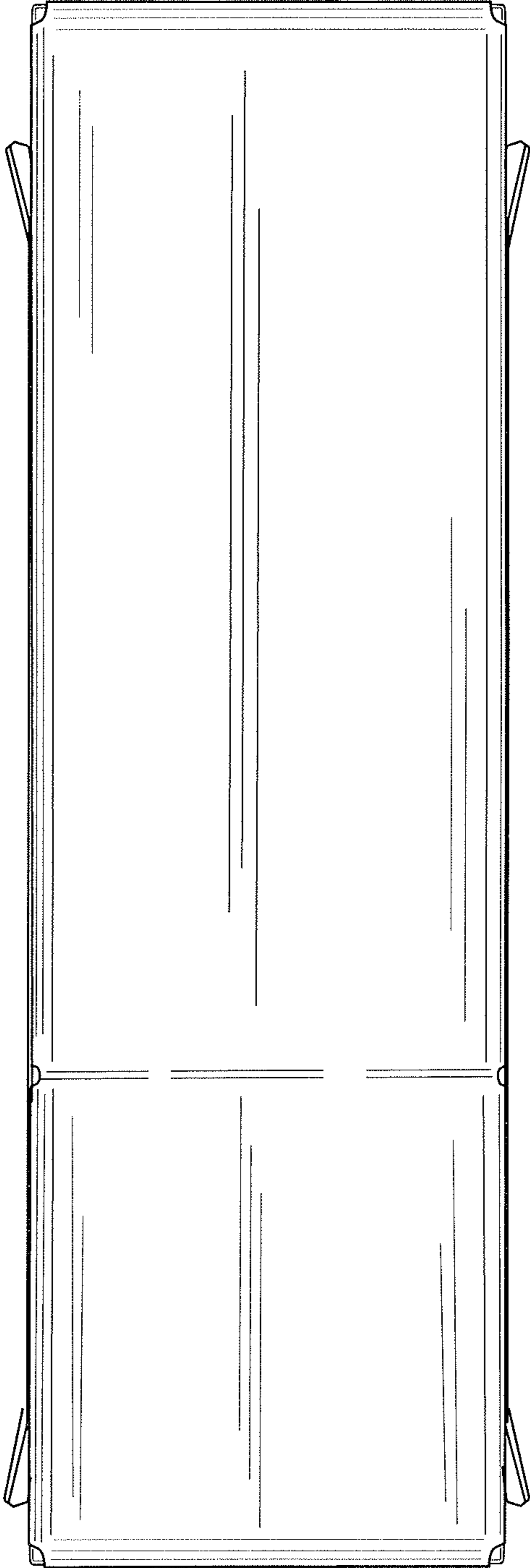


FIG. 6

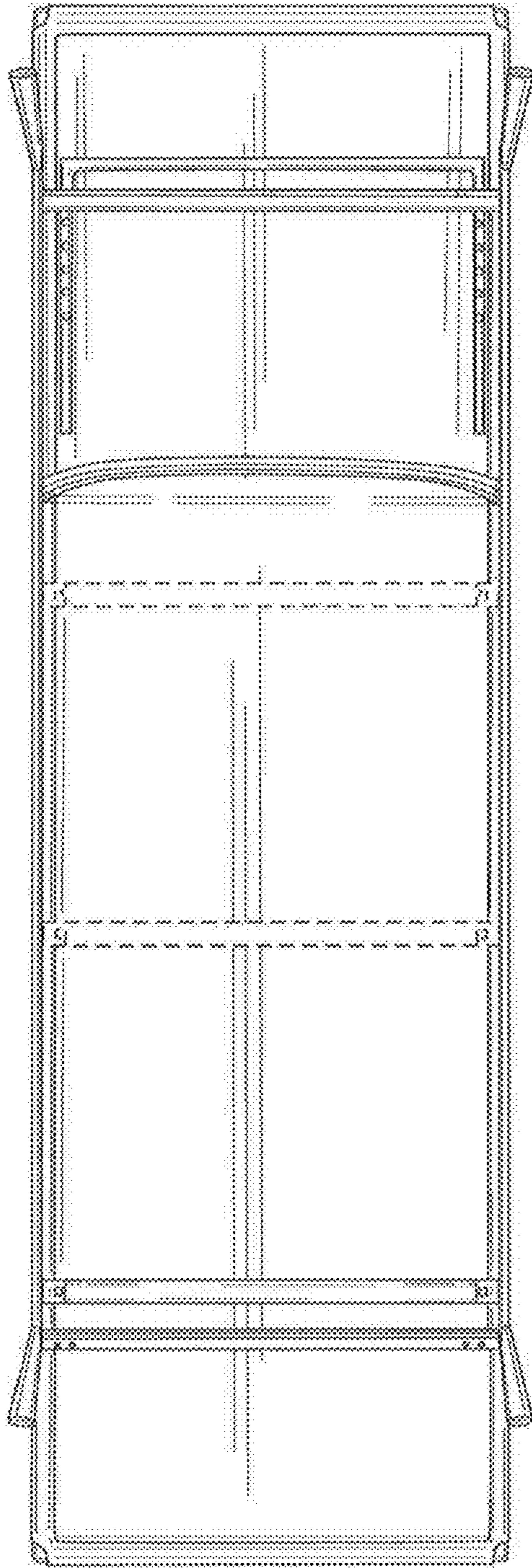


FIG. 7