



US00D855339S

(12) **United States Design Patent** (10) **Patent No.:** **US D855,339 S**  
**Ochs** (45) **Date of Patent:** **\*\* Aug. 6, 2019**

(54) **VEHICLE SEAT**

(71) Applicant: **Seat King, LLC**, Hutchinson, KS (US)  
(72) Inventor: **Austin Ochs**, Hutchinson, KS (US)  
(73) Assignee: **Seat King, LLC**, Hutchinson, KS (US)  
(\*\*) Term: **15 Years**  
(21) Appl. No.: **29/641,936**

(22) Filed: **Mar. 26, 2018**

(51) **LOC (12) Cl.** ..... **06-01**

(52) **U.S. Cl.**  
USPC ..... **D6/356**

(58) **Field of Classification Search**  
USPC ..... D6/339, 353, 356, 368, 601, 655, 716.1,  
D6/716.2, 716.3, 716.4, 716.5, 716.6,  
D6/716.7  
CPC .. A47C 3/04; A47C 3/16; A47C 7/021; A47C  
7/407; A47C 17/1655; A47K 3/122;  
B60N 2/02; B60N 2/20; B60N 2/22;  
B60N 2/32; B60N 2/38; B60N 2/3002;  
B60N 2/3004; B60N 2/3011; B60N  
2/3065; B60N 2/3097; B63B 2709/00;  
B63B 29/04; B63B 2029/043; Y10S  
297/02

See application file for complete search history.

(56) **References Cited**

**U.S. PATENT DOCUMENTS**

D171,210 S \* 12/1953 Jones ..... D6/356  
D253,205 S \* 10/1979 Buhk ..... D6/366  
D257,748 S \* 1/1981 Smith ..... D6/356  
D275,060 S \* 8/1984 Buhk ..... D6/360  
D288,386 S \* 2/1987 Yorozu ..... D6/356  
D289,706 S \* 5/1987 Talmon ..... D6/356  
D307,019 S \* 4/1990 Rosenblad ..... D15/17  
5,018,788 A \* 5/1991 Cedergreen ..... A47C 3/16  
297/378.1  
5,048,894 A \* 9/1991 Miyajima ..... B60N 2/38  
297/452.11  
D326,568 S \* 6/1992 Lanius ..... D6/356

(Continued)

**OTHER PUBLICATIONS**

“Leader Accessories Two Tone Captain’s Bucket Seat Premium Sports Flip Up Boat Seat” Aug. 17, 2015, amazon.com, site visited Dec. 13, 2018 <[https://www.amazon.com/Leader-Accessories-Captains-Premium-Charcoal/dp/B00YMLJJ12/ref=cm\\_cr\\_arp\\_d\\_product\\_top?ie=UTF8](https://www.amazon.com/Leader-Accessories-Captains-Premium-Charcoal/dp/B00YMLJJ12/ref=cm_cr_arp_d_product_top?ie=UTF8)> (Year: 2015).\*

*Primary Examiner* — Kevin K Rudzinski

*Assistant Examiner* — Paul D Bohannon

(74) *Attorney, Agent, or Firm* — Hovey Williams LLP

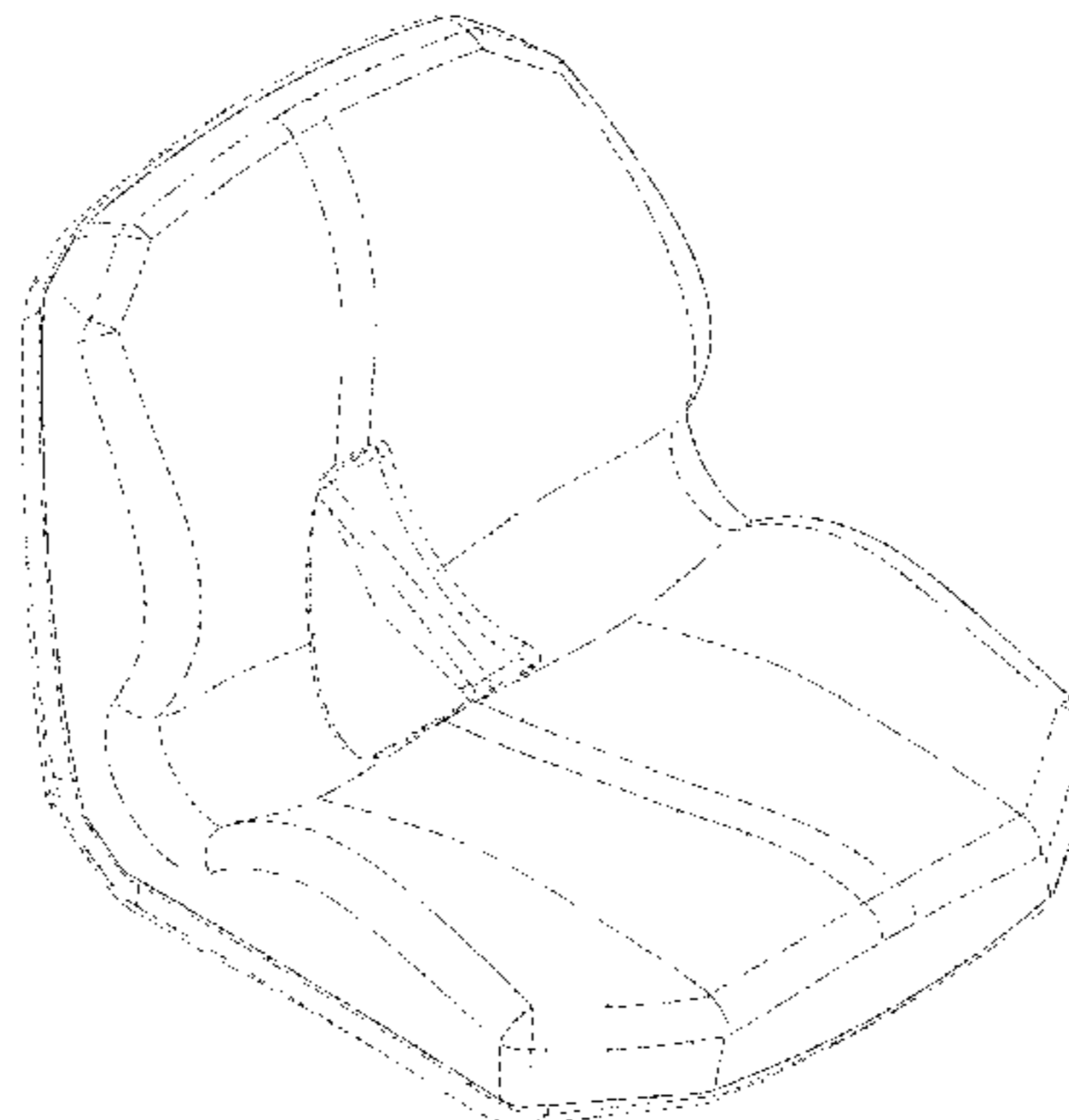
(57) **CLAIM**

The ornamental design for a vehicle seat, as shown and described.

**DESCRIPTION**

FIG. 1 is an upper front perspective of a vehicle seat embodying my design;  
FIG. 2 is a lower front perspective of the vehicle seat shown in FIG. 1;  
FIG. 3 is an upper rear perspective of the vehicle seat shown in FIGS. 1 and 2;  
FIG. 4 is a lower rear perspective of the vehicle seat shown in FIGS. 1-3;  
FIG. 5 is a front elevation of the vehicle seat shown in FIGS. 1-4;  
FIG. 6 is a right side elevation of the vehicle seat shown in FIGS. 1-5, with the opposite side elevation being a mirror image thereof;  
FIG. 7 is a rear elevation of the vehicle seat shown in FIGS. 1-6;  
FIG. 8 is a top view of the vehicle seat shown in FIGS. 1-7; and,  
FIG. 9 is a bottom view of the vehicle seat shown in FIGS. 1-8.  
The broken lines shown in the drawings show portions of the vehicle seat and form no part of the claimed design.

**1 Claim, 9 Drawing Sheets**



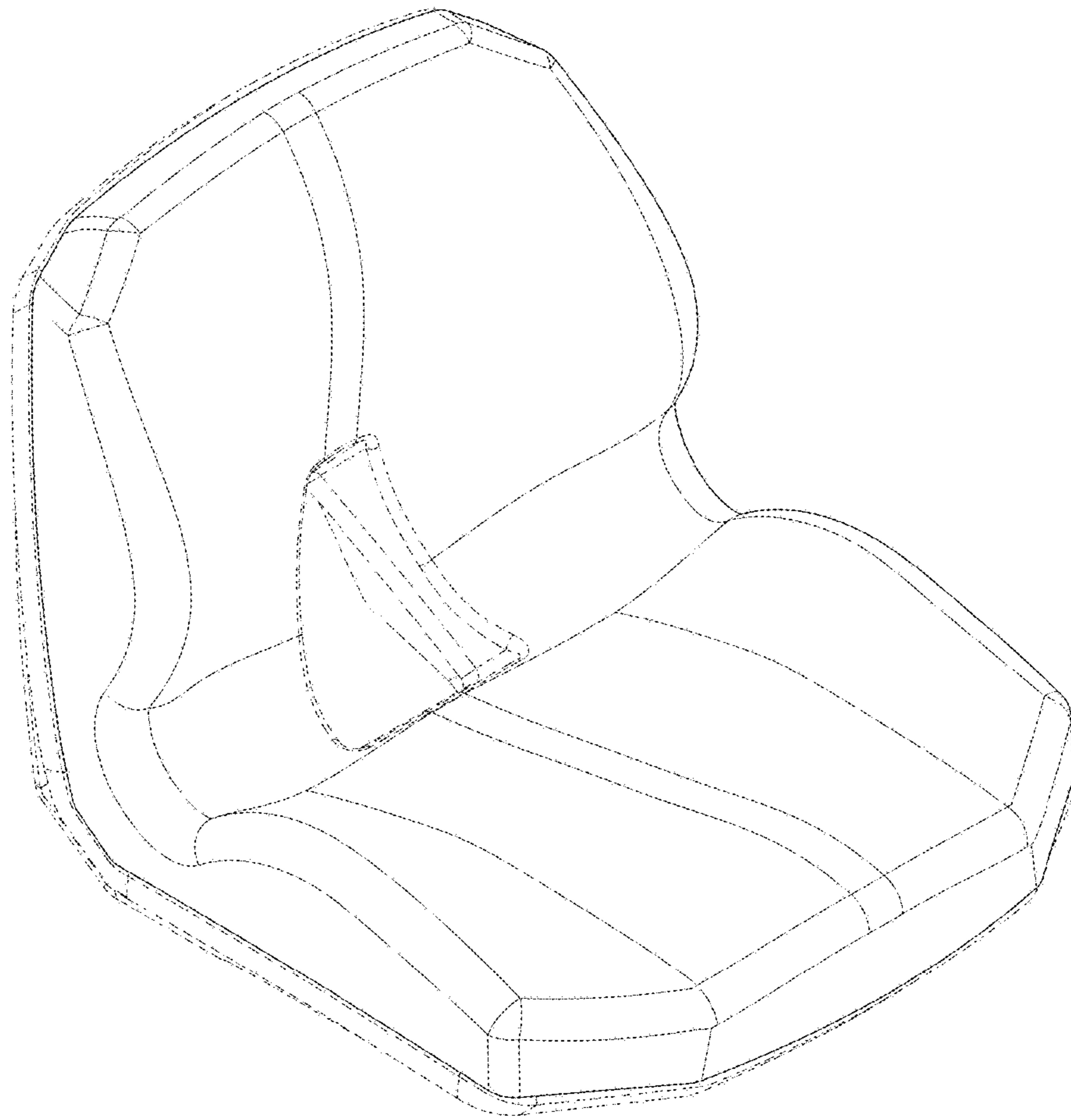
(56)

References Cited

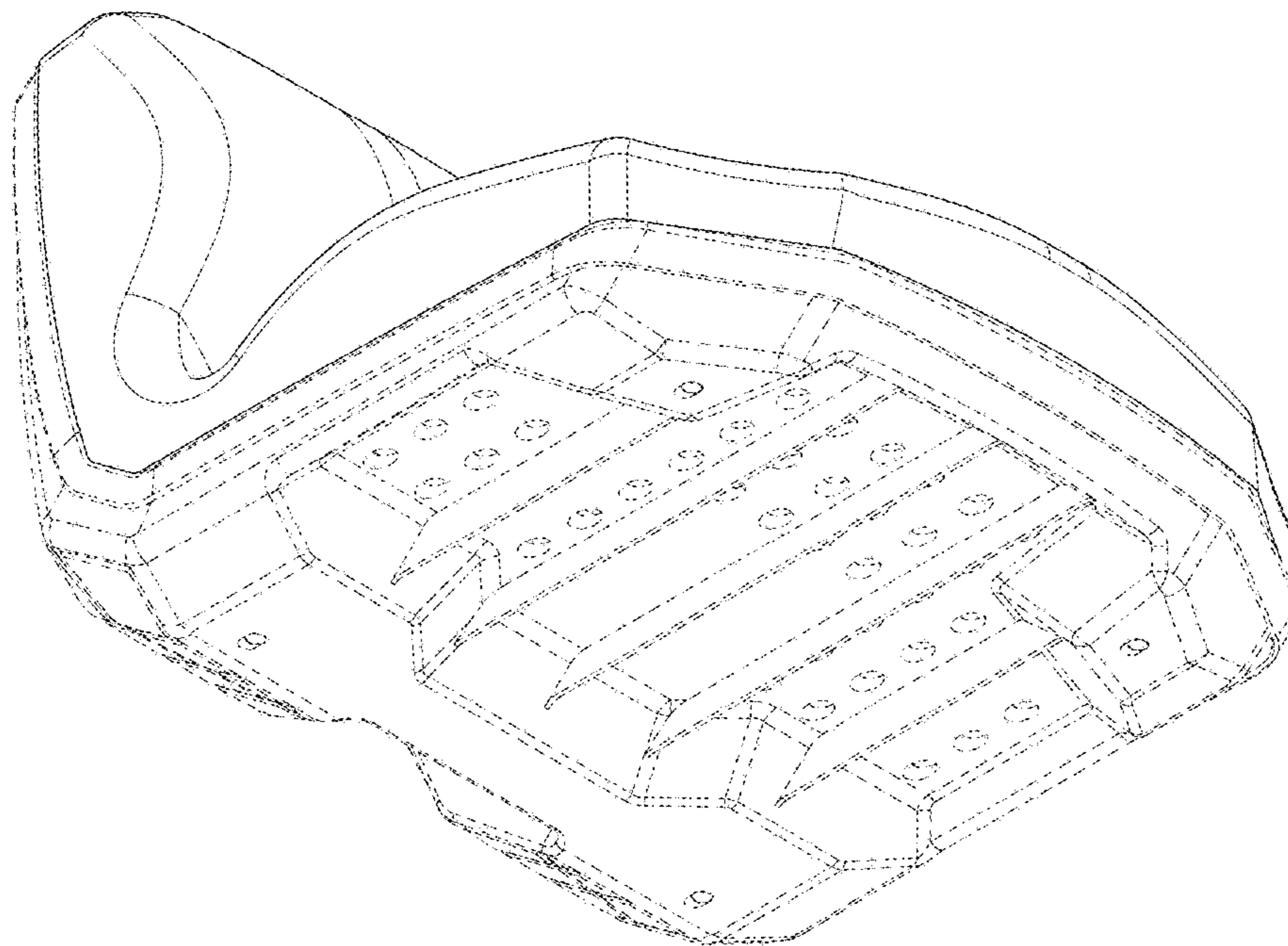
U.S. PATENT DOCUMENTS

D326,960 S *	6/1992	Stulik .....	297/452.23
D485,446 S *	1/2004	Stulik .....	D6/356
D504,784 S *	5/2005	Hahn .....	D6/356
D516,824 S *	3/2006	Murphy .....	D6/356
D536,187 S *	2/2007	Goebert .....	D6/356
D536,546 S *	2/2007	Goebert .....	D6/356
D536,547 S *	2/2007	Goebert .....	D6/356
D536,887 S *	2/2007	Goebert .....	D6/356
7,472,959 B1 *	1/2009	Ratza .....	A47C 7/407 297/378.1
D611,740 S *	3/2010	Koh .....	D6/375
8,146,899 B2	4/2012	Hiser	
D663,962 S *	7/2012	Muelder .....	D6/356
D677,916 S *	3/2013	Beckenbach .....	D6/356
D678,689 S *	3/2013	Beckenbach .....	D6/356
8,678,504 B1 *	3/2014	Bakker .....	A47C 3/12 297/440.14
8,955,832 B1	2/2015	Bartel	
D724,334 S *	3/2015	Ashley .....	D6/356
2014/0284980 A1 *	9/2014	Dick, Jr. ....	B63B 29/04 297/331
2017/0119158 A1 *	5/2017	Pectol .....	A47C 4/024
2017/0190270 A1	7/2017	Busboom et al.	

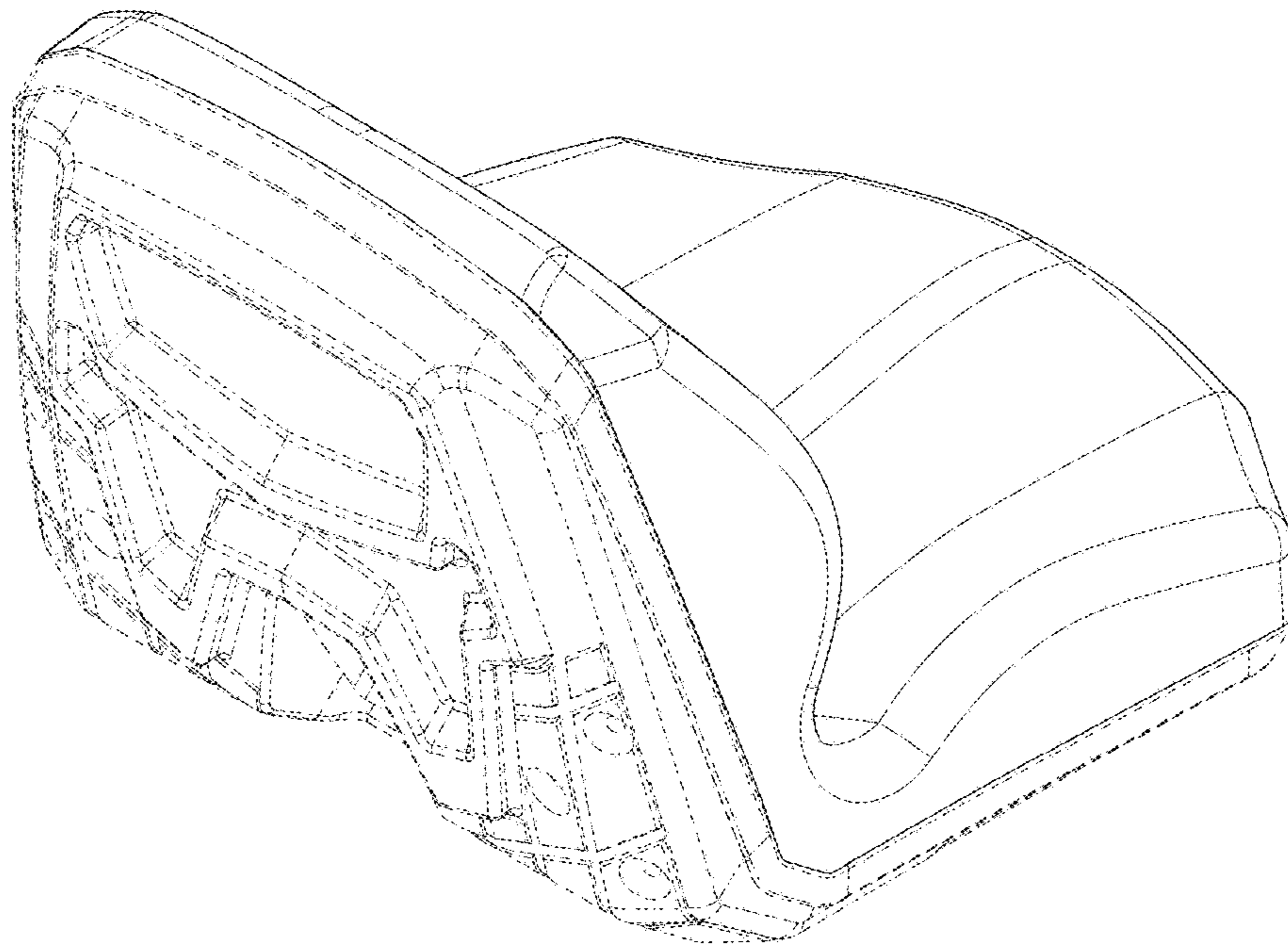
\* cited by examiner



*Fig. 1.*

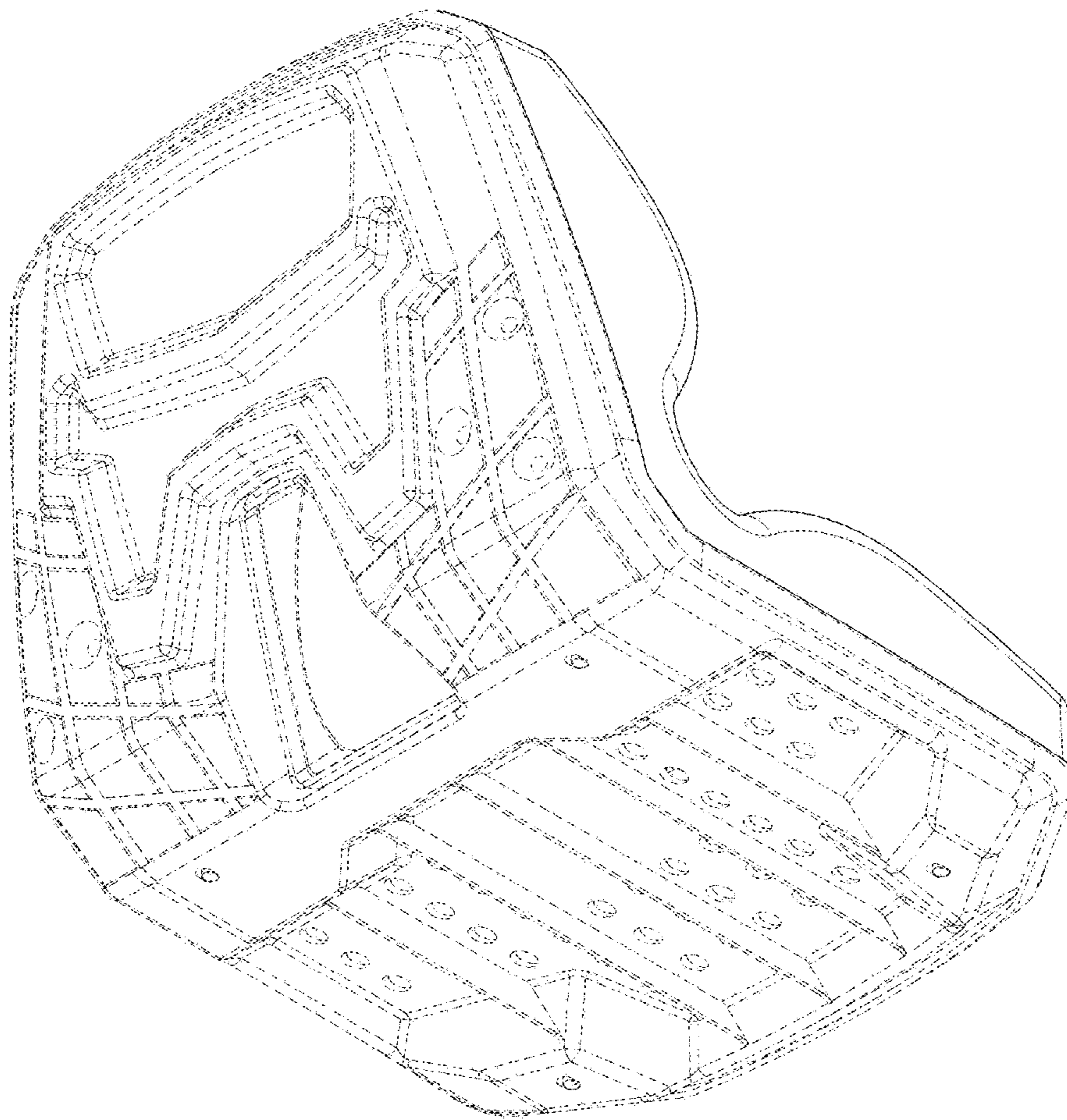


*Fig. 2.*

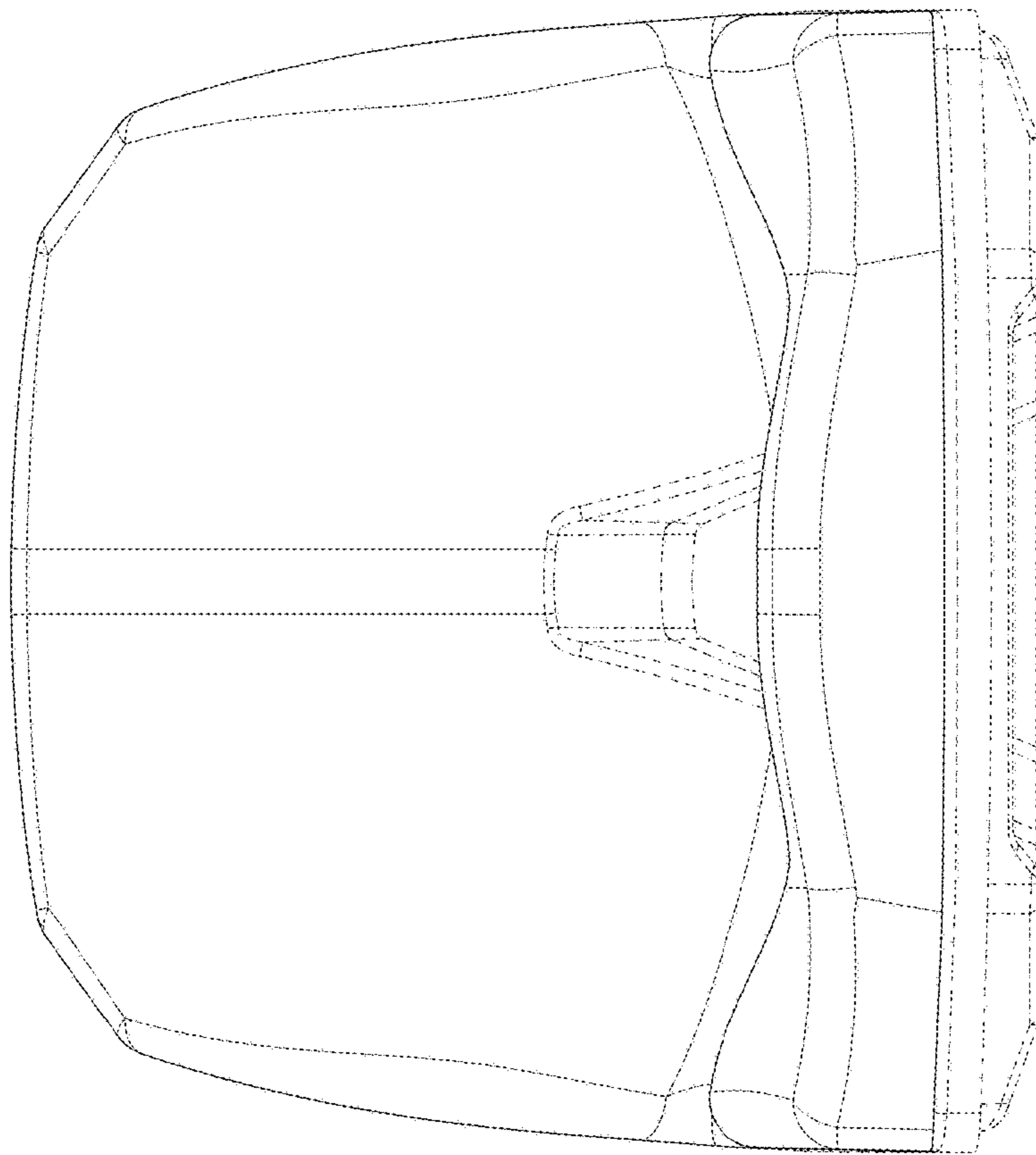


*Fig. 3.*

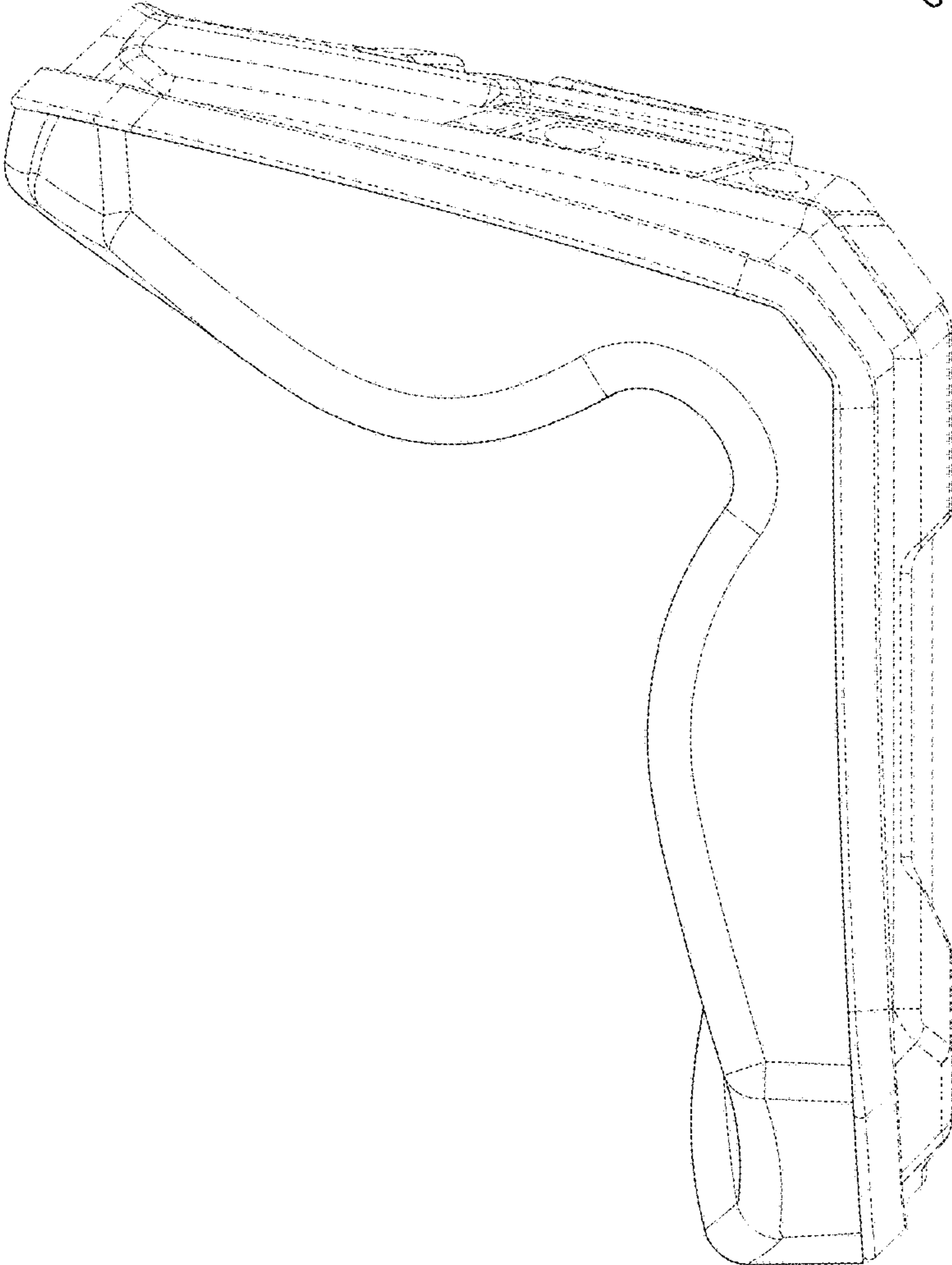




*Fig. 4.*

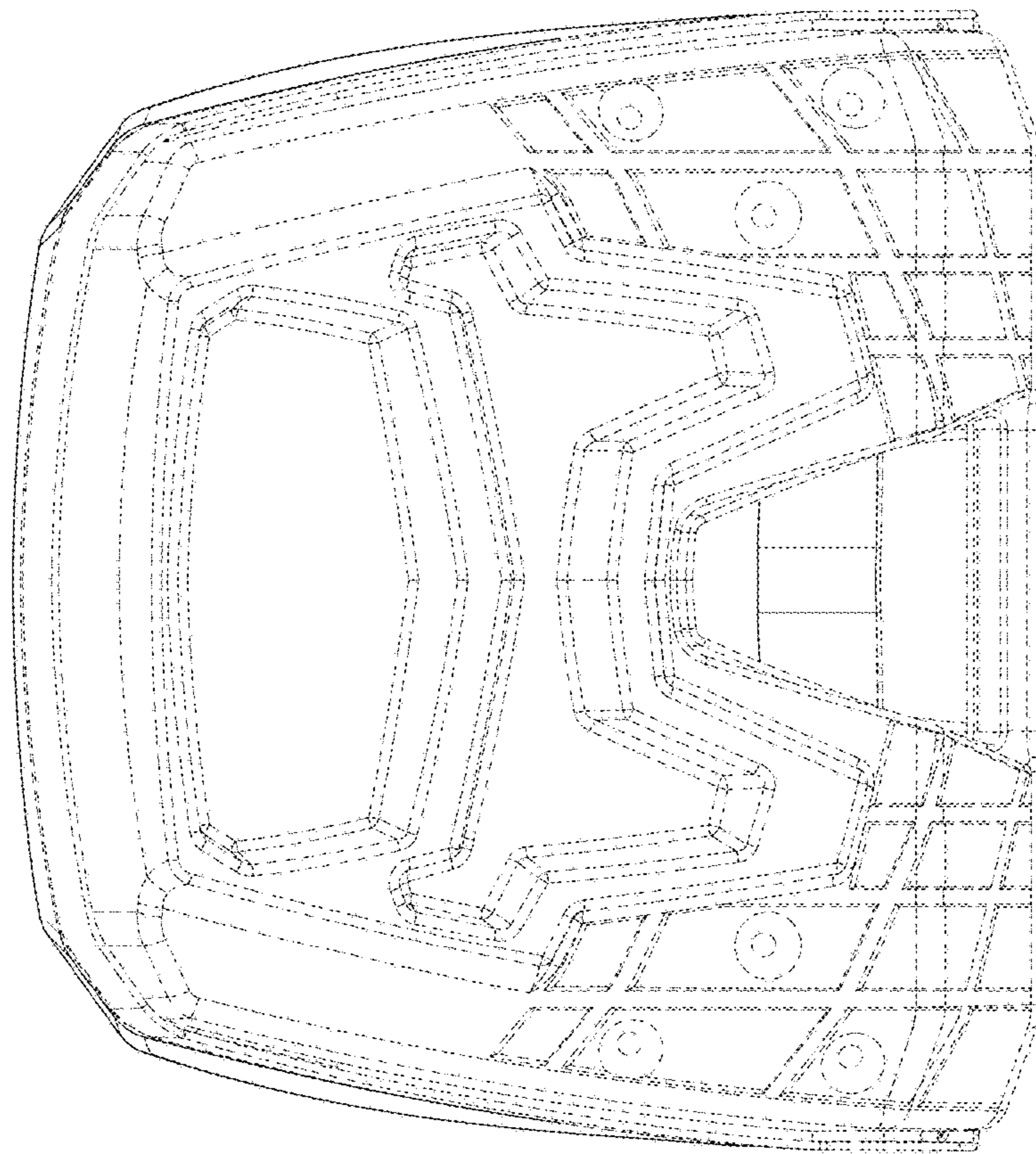


*Fig. 5.*

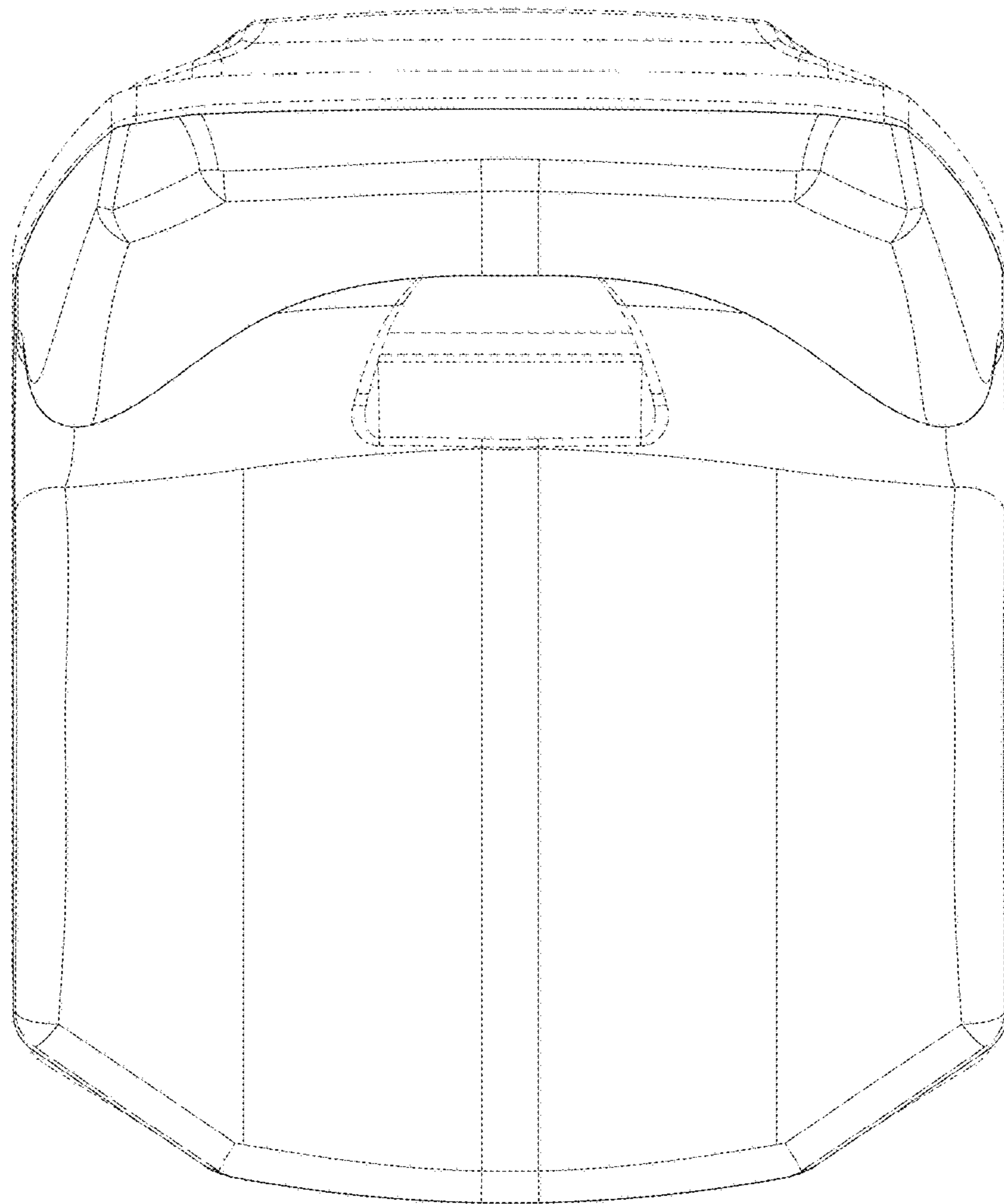


*Fig. 6.*

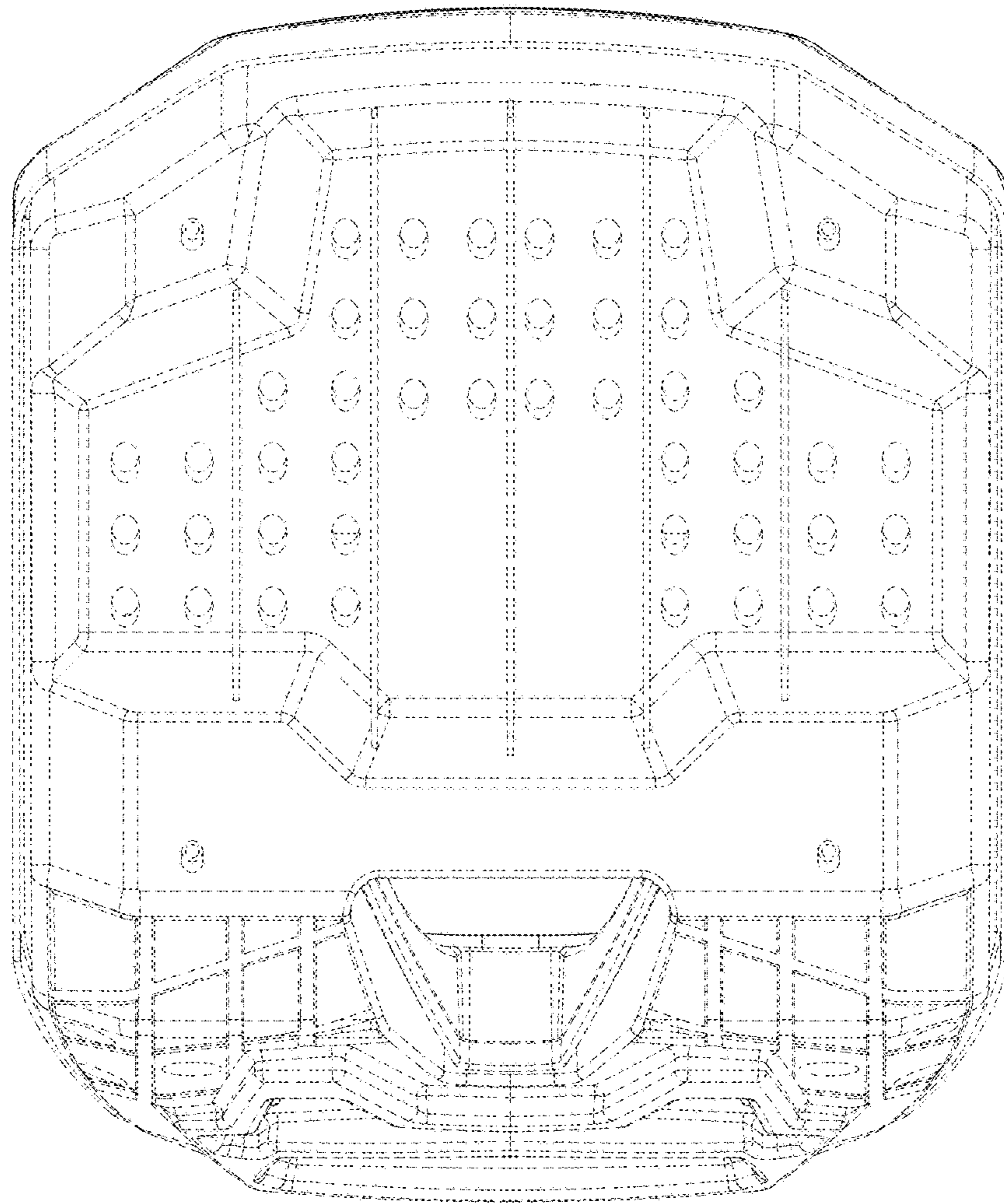




*Fig. 7.*



*Fig. 8.*



*Fig. 9.*